



US00D827028S

(12) **United States Design Patent** (10) **Patent No.:** **US D827,028 S**  
**Jiang** (45) **Date of Patent:** **\*\* Aug. 28, 2018**

(54) **PEN**  
(71) Applicant: **BANKERS PEN (1991) INC., St. Laurent (CA)**  
(72) Inventor: **Chuan Jiang, Fenshui (CN)**  
(73) Assignee: **Spector & Co. Inc. (CA)**  
(\*\*) Term: **15 Years**  
(21) Appl. No.: **29/593,119**  
(22) Filed: **Feb. 6, 2017**  
(51) **LOC (11) Cl. .... 19-06**  
(52) **U.S. Cl.**  
USPC ..... **D19/117**  
(58) **Field of Classification Search**  
USPC ..... D19/168-186, 117, 163-167, 901-934  
CPC ..... B43K 24/03; B43K 23/12; B43K 23/001;  
G09B 5/04; G06F 3/03545  
See application file for complete search history.

(56) **References Cited**  
**U.S. PATENT DOCUMENTS**  
D564,586 S 3/2008 Kwok et al.  
D583,865 S 12/2008 Kwok et al.  
D618,278 S \* 6/2010 Yoon ..... D19/173  
D619,581 S \* 7/2010 Tani ..... D14/411  
D724,591 S 3/2015 Spencer et al.  
D726,821 S \* 4/2015 Casciotti ..... D19/117  
D727,325 S 4/2015 Spencer et al.  
2009/0129065 A1 \* 5/2009 Tamir ..... B43K 7/005  
362/118

**FOREIGN PATENT DOCUMENTS**  
CA 113646 S 7/2006  
CA 132401 S 8/2010  
CA 132568 S 11/2010  
CA 146027 S 11/2013

CA 148632 S 11/2013  
CA 148633 S 11/2013  
CA 164512 S 8/2016  
CA 172954 \* 2/2017  
CN 303108185 \* 12/2014  
CN 303711454 \* 5/2016

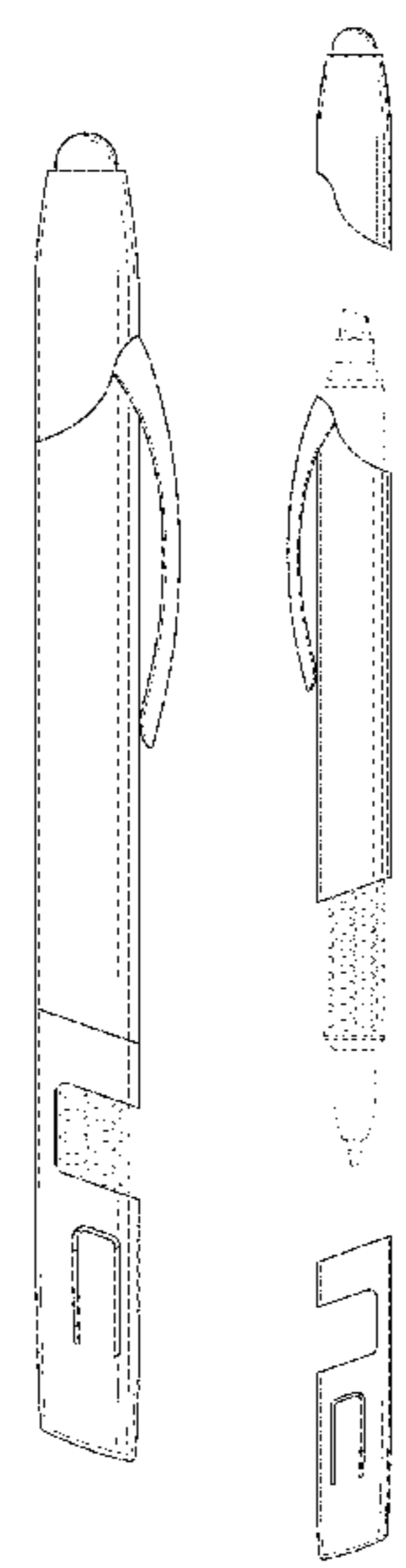
**OTHER PUBLICATIONS**  
4-in-1 Stylus Highlighter Erasable Pen posted by Peglala posted date Jul. 3, 2017, © Peglala, [online], [site visited Mar. 28, 2018]. Available from Internet, <http://www.peglala.com/4-in-1-stylus-highlighter-erasable-pen.html> (Year: 2017).  
4IMPRINT USA, Item #136213-HL, Multi Tech Stylus Phone Stand Highlighter, <https://www.4imprint.com/product/136213-HL/Multi-Tech-Stylus-Phone-Stand-Highlighter>. Webpage accessed on Feb. 2, 2017.  
Spector & Co., L139, Axel, Pen/Stylus/Phone Holder, Catalog p. 48, <http://www.spectorandco.ca/en/axel.html>.

\* cited by examiner  
*Primary Examiner* — Robin V Webster  
*Assistant Examiner* — Laura H Yu  
(74) *Attorney, Agent, or Firm* — McDonnell Boehnen Hulbert & Berghoff LLP

(57) **CLAIM**  
The ornamental design for a pen, as shown and described.

**DESCRIPTION**  
FIG. 1 is a front elevation view of the pen showing my new design;  
FIG. 2 is a rear elevation view of the pen of FIG. 1.  
FIG. 3 is a left side elevation view of the pen of FIG. 1.  
FIG. 4 is a right side elevation view of the pen of FIG. 1.  
FIG. 5 is a bottom plan view of the pen of FIG. 1.  
FIG. 6 is a top plan view of the pen of FIG. 1; and,  
FIG. 7 is an exploded view of the pen of FIG. 1.  
The broken lines in the figures show portions of the pen which form no part of the claimed design.

**1 Claim, 6 Drawing Sheets**



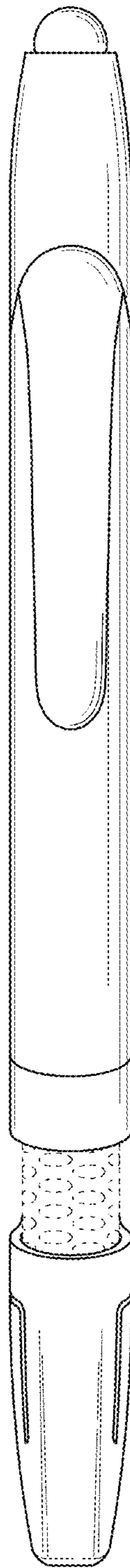


FIG. 1

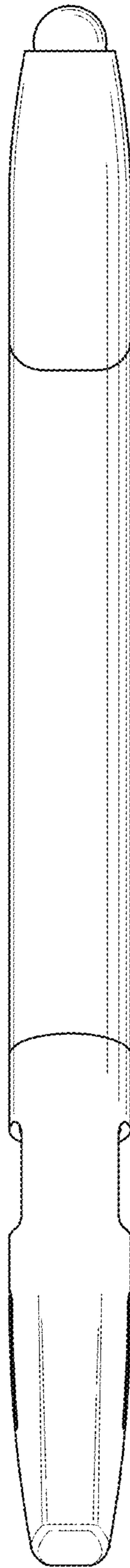


FIG. 2

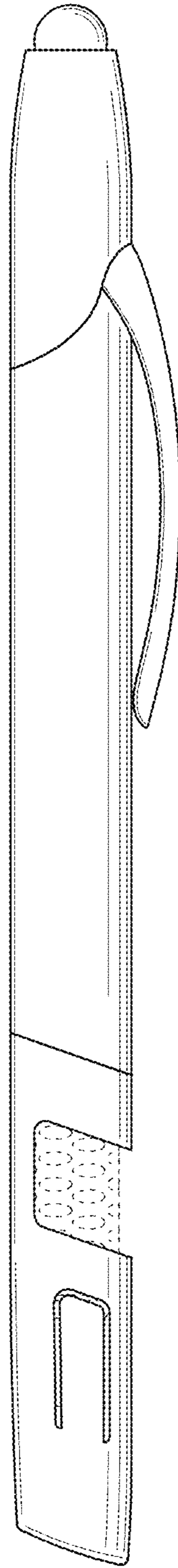


FIG. 3

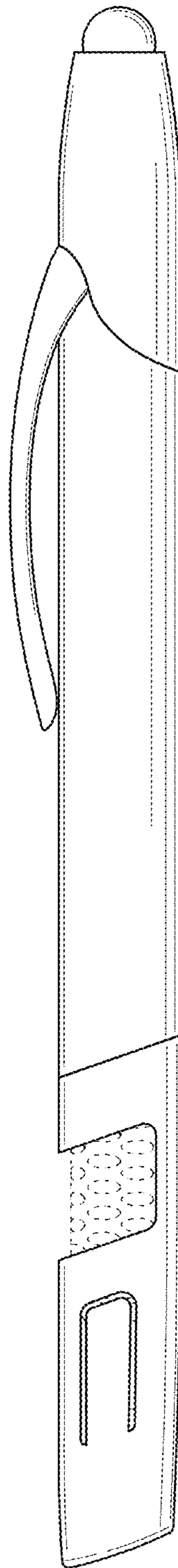


FIG. 4

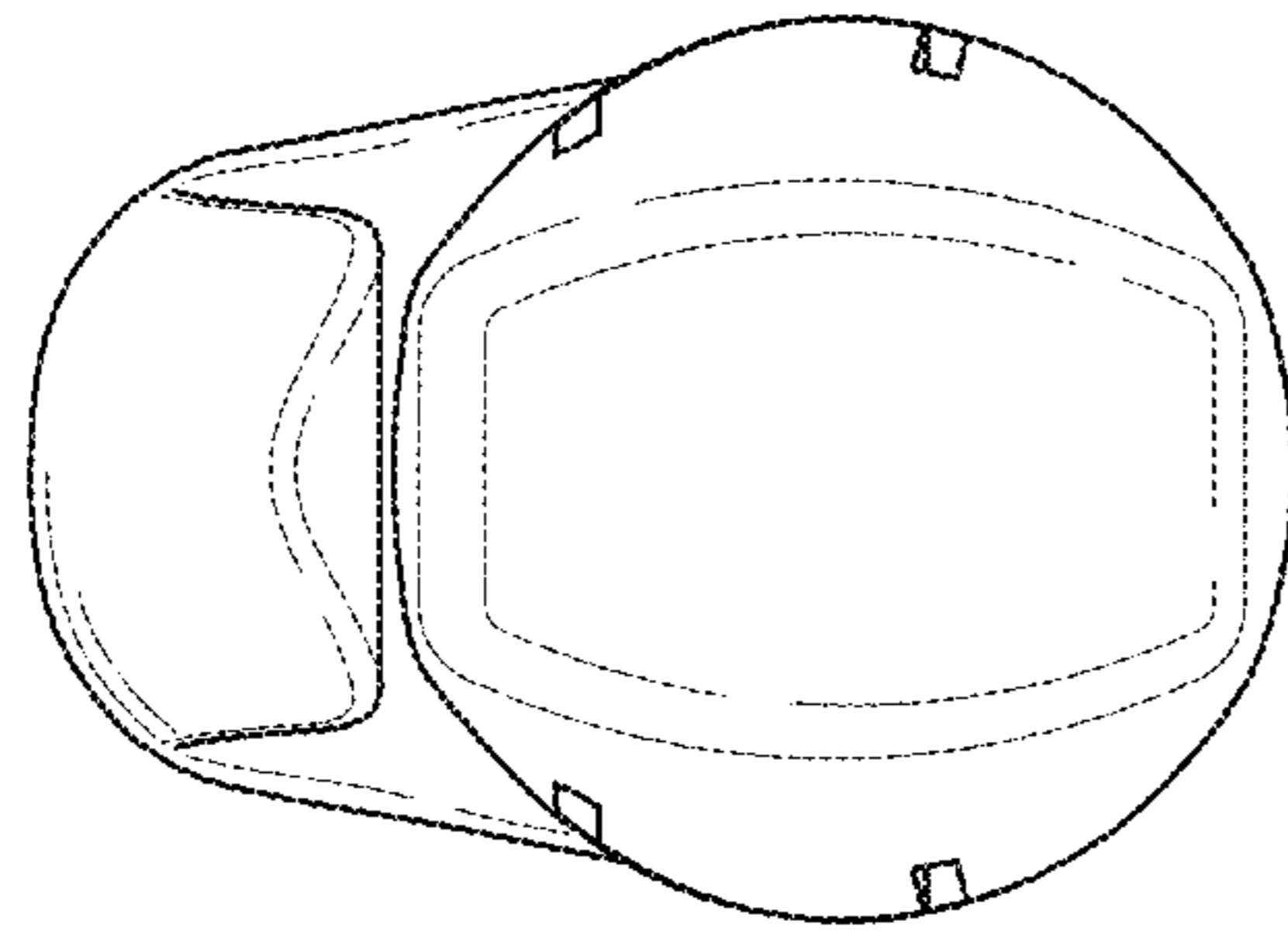


FIG. 5

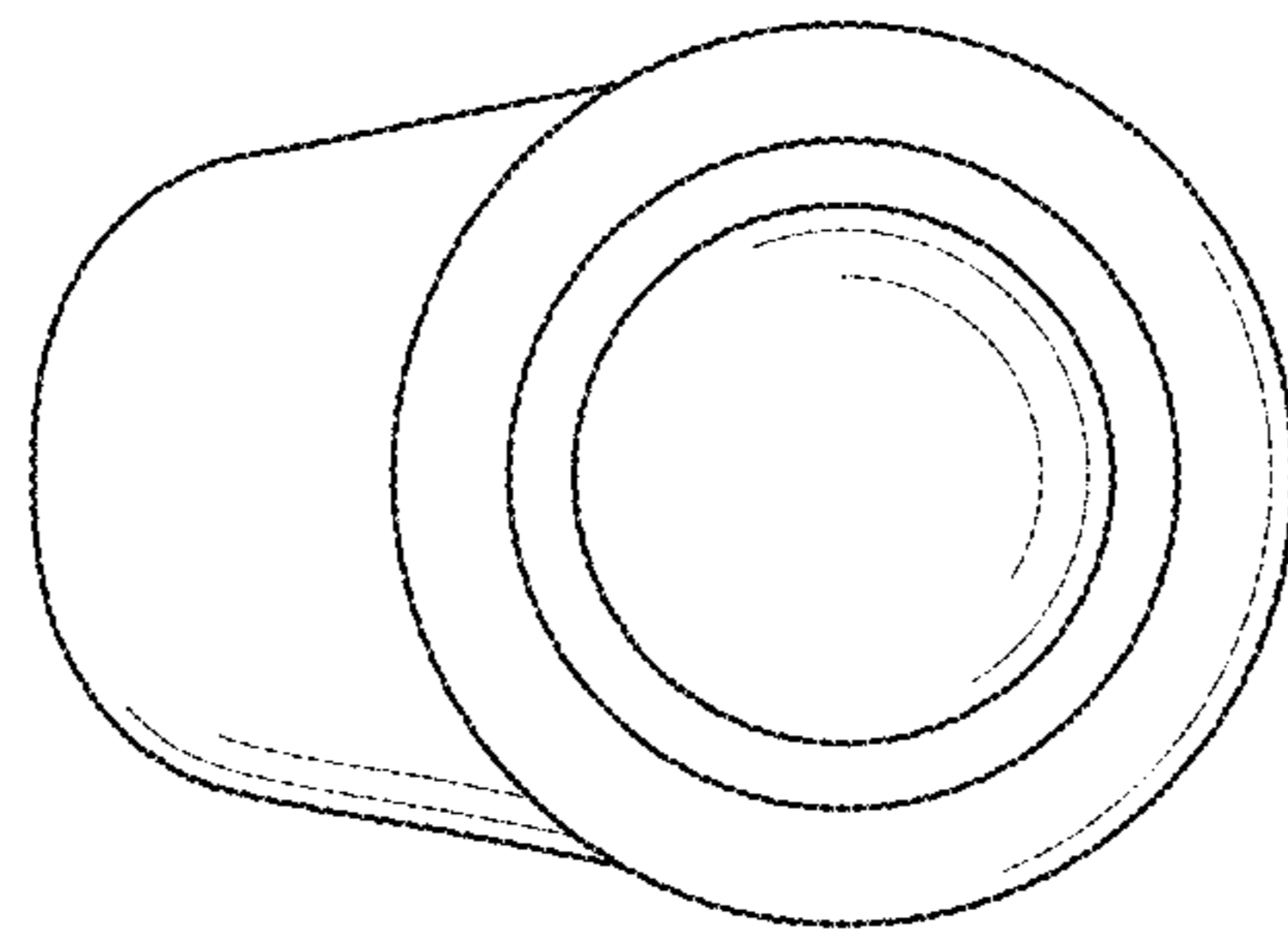


FIG. 6

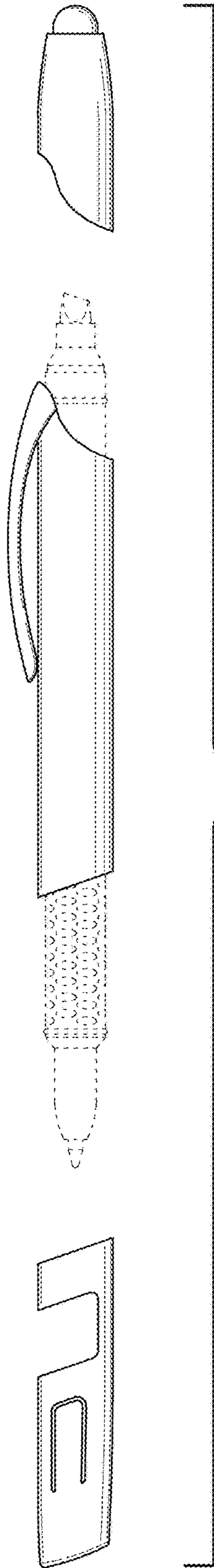


FIG. 7