



US00D827023S

(12) **United States Design Patent**  
**Hill et al.**

(10) **Patent No.:** **US D827,023 S**

(45) **Date of Patent:** **\*\* Aug. 28, 2018**

(54) **MUG WRAP**

(71) Applicants: **Jason Benjamin Hill**, Bates City, MO (US); **Donald Wayne McWhirt**, Pittsburg, KS (US)

(72) Inventors: **Jason Benjamin Hill**, Bates City, MO (US); **Donald Wayne McWhirt**, Pittsburg, KS (US)

(\*\*) Term: **15 Years**

(21) Appl. No.: **29/556,236**

(22) Filed: **Feb. 29, 2016**

(51) **LOC (11) Cl.** ..... **18-02**

(52) **U.S. Cl.**  
USPC ..... **D18/56**

(58) **Field of Classification Search**  
USPC ..... D18/4.2, 11, 12, 40, 43, 44, 56, 34.9  
CPC ..... B41M 5/035; B41M 5/382; B44C 1/17; C04B 41/52

See application file for complete search history.

(56) **References Cited**

**U.S. PATENT DOCUMENTS**

5,643,387	A *	7/1997	Berghauer	.....	B41M 5/035
					156/230
5,948,728	A *	9/1999	Patton	.....	B41M 1/34
					156/235
D483,799	S *	12/2003	Kadota	.....	D18/40
D559,902	S *	1/2008	Park	.....	D18/56
D562,381	S *	2/2008	Wu	.....	D18/56
D566,758	S *	4/2008	Wu	.....	D18/56
D583,862	S *	12/2008	Park	.....	D18/56
D726,252	S *	4/2015	Mizutani	.....	D18/56
D756,452	S *	5/2016	Shimota	.....	D18/56
D781,372	S *	3/2017	Floersch	.....	D14/447

**OTHER PUBLICATIONS**

“Dyewrap Overview” Apr. 10, 2014. Youtube. <https://www.youtube.com/watch?v=7m7qMBXrsiY>.\*

Conde Sublimation “New Style Oven Dye Wrap: DYEWRAP05” Apr. 16, 2012. Youtube. <https://www.youtube.com/watch?v=ulMQBkRMkQE>.\*

“WWII—British Army Belt.” Jan. 4, 2011. Warstuff.com. <https://www.warstuff.com/WWII-BRITISH-ARMY-BELT-i714.htm>.\*

\* cited by examiner

*Primary Examiner* — Susan Bennett Hattan

*Assistant Examiner* — Suzanne E Tisdell

(74) *Attorney, Agent, or Firm* — Arthur K Shaffer; Intellectual Property Center, LLC

(57) **CLAIM**

The ornamental design for an mug wrap, as shown and described.

**DESCRIPTION**

FIG. 1 is a side perspective view of an mug wrap in accordance with the present invention in the open position; FIG. 2 illustrates a side perspective view of the mug wrap in an alternative intermediate position.

FIG. 3 is a top plan view of the mug wrap with the mug wrap in the open position.

FIG. 4 illustrates a top plan view of the mug wrap in the intermediate position.

FIG. 5 is a top plan view of the mug wrap in an alternative closed position.

FIG. 6 is a front elevation of the mug wrap in the intermediate position.

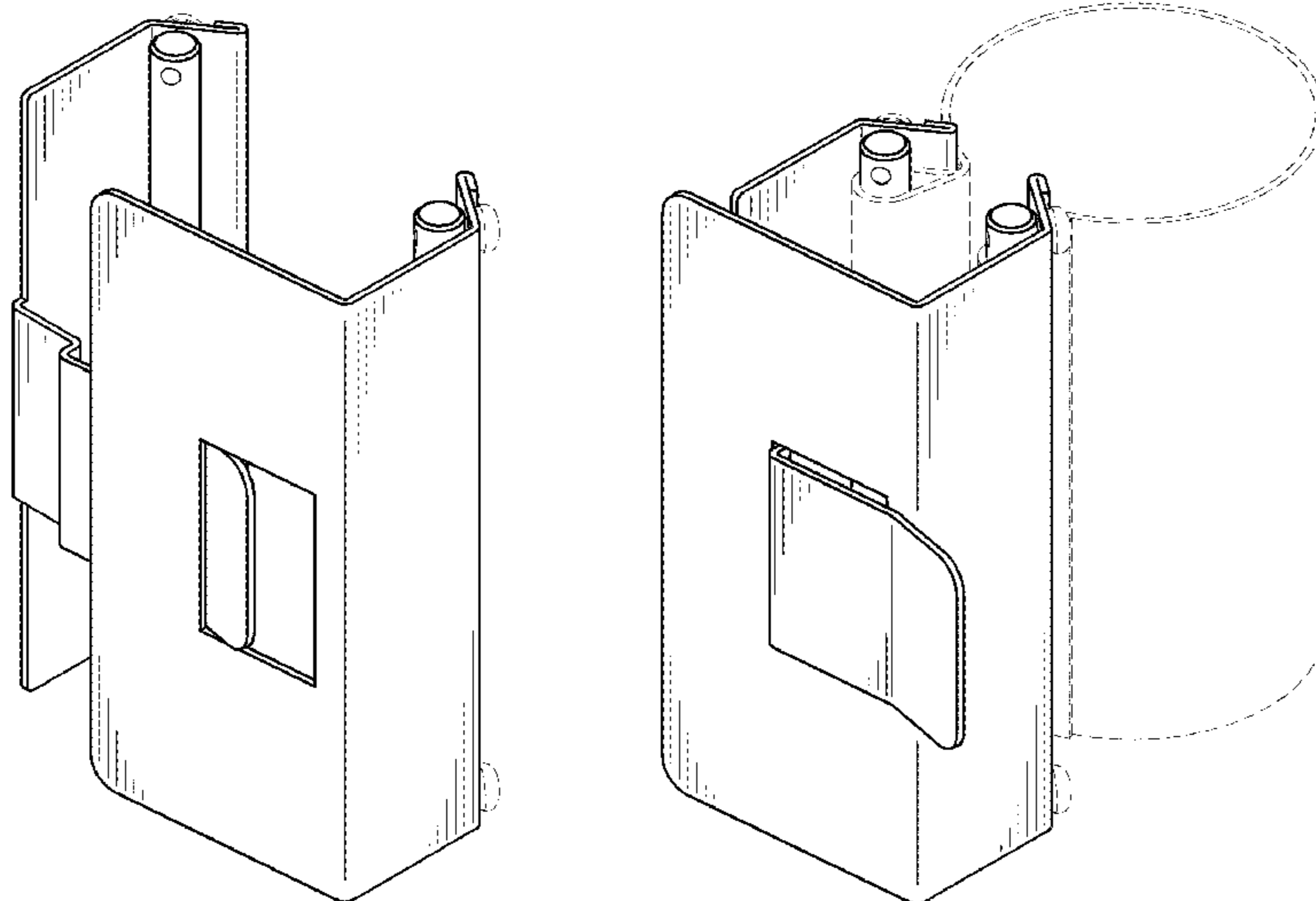
FIG. 7 is a right side elevation of the mug wrap in the intermediate position.

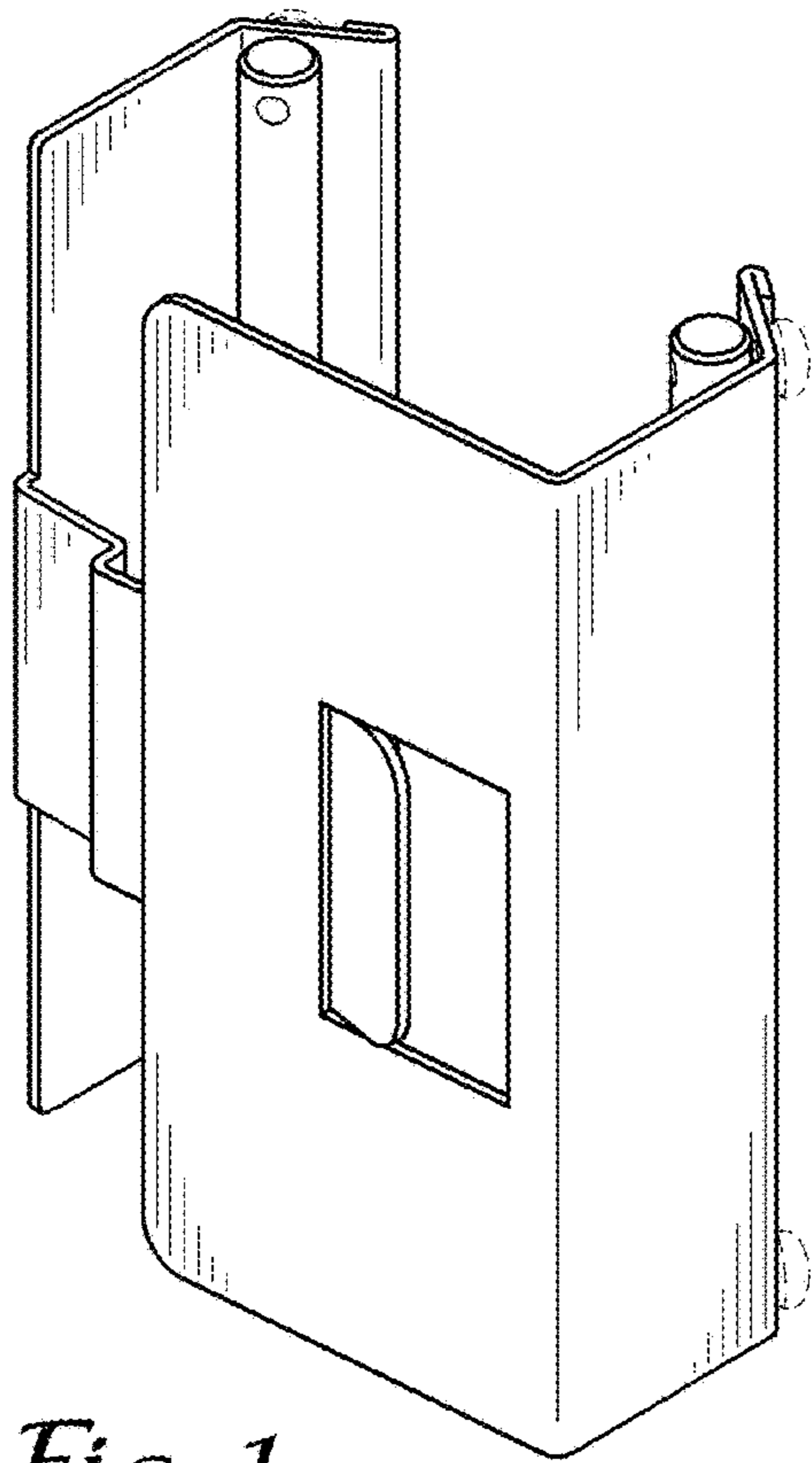
FIG. 8 is a rear elevation of the mug wrap in the intermediate position; and,

FIG. 9 is a left elevation of the mug wrap in the intermediate position.

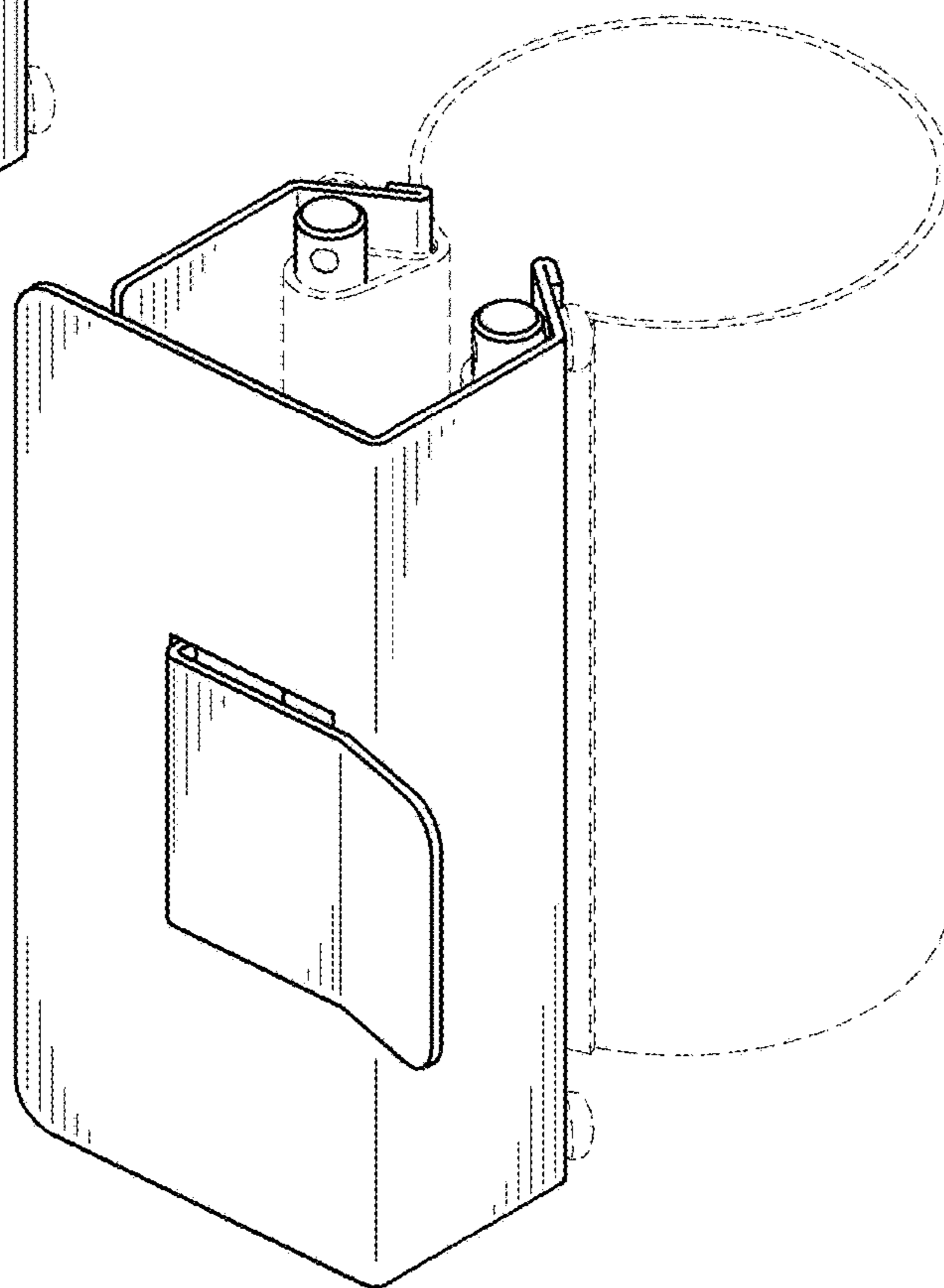
The broken lines in FIGS. 1-9 depict environmental structures that form no part of the claimed design.

**1 Claim, 4 Drawing Sheets**

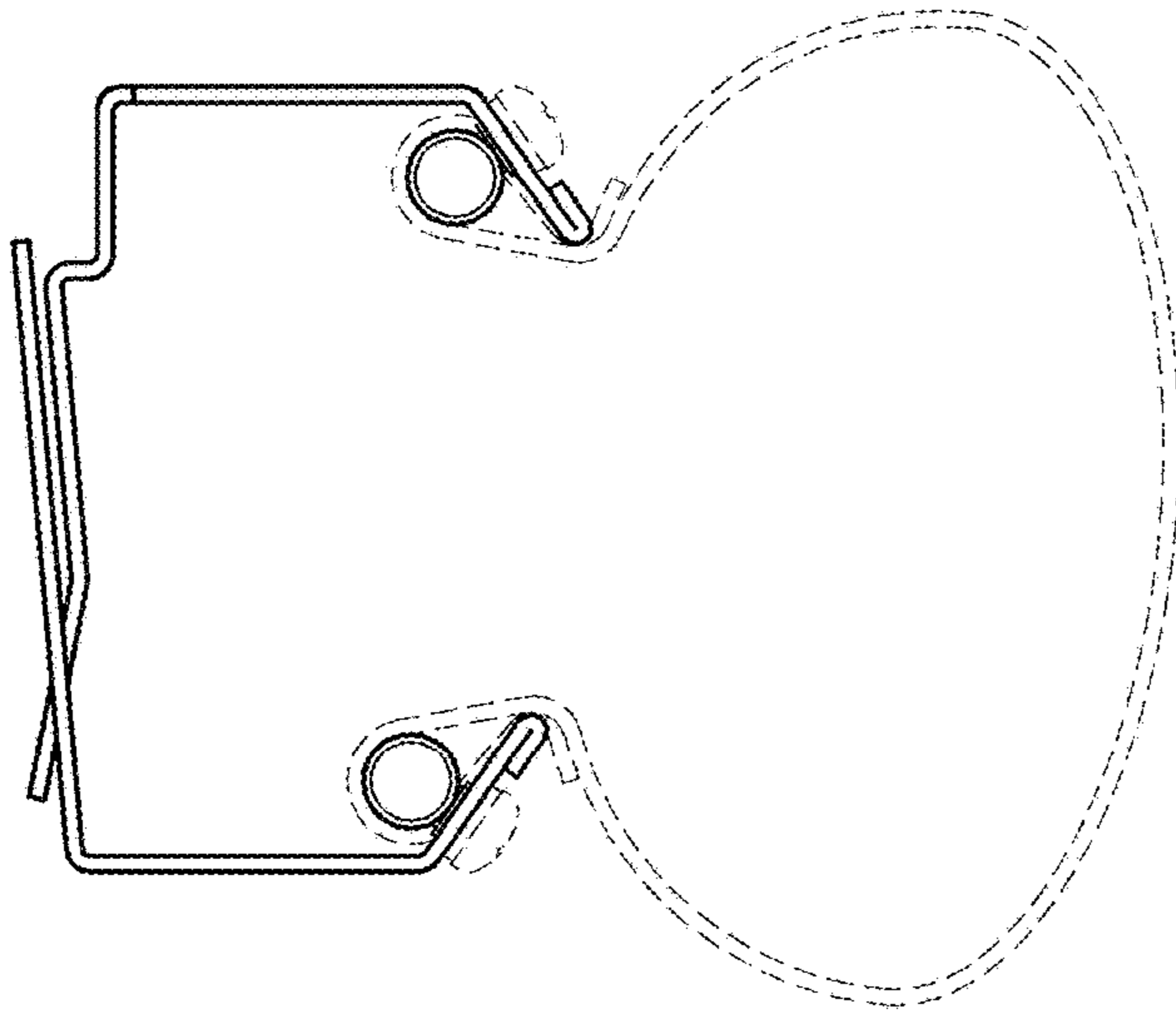




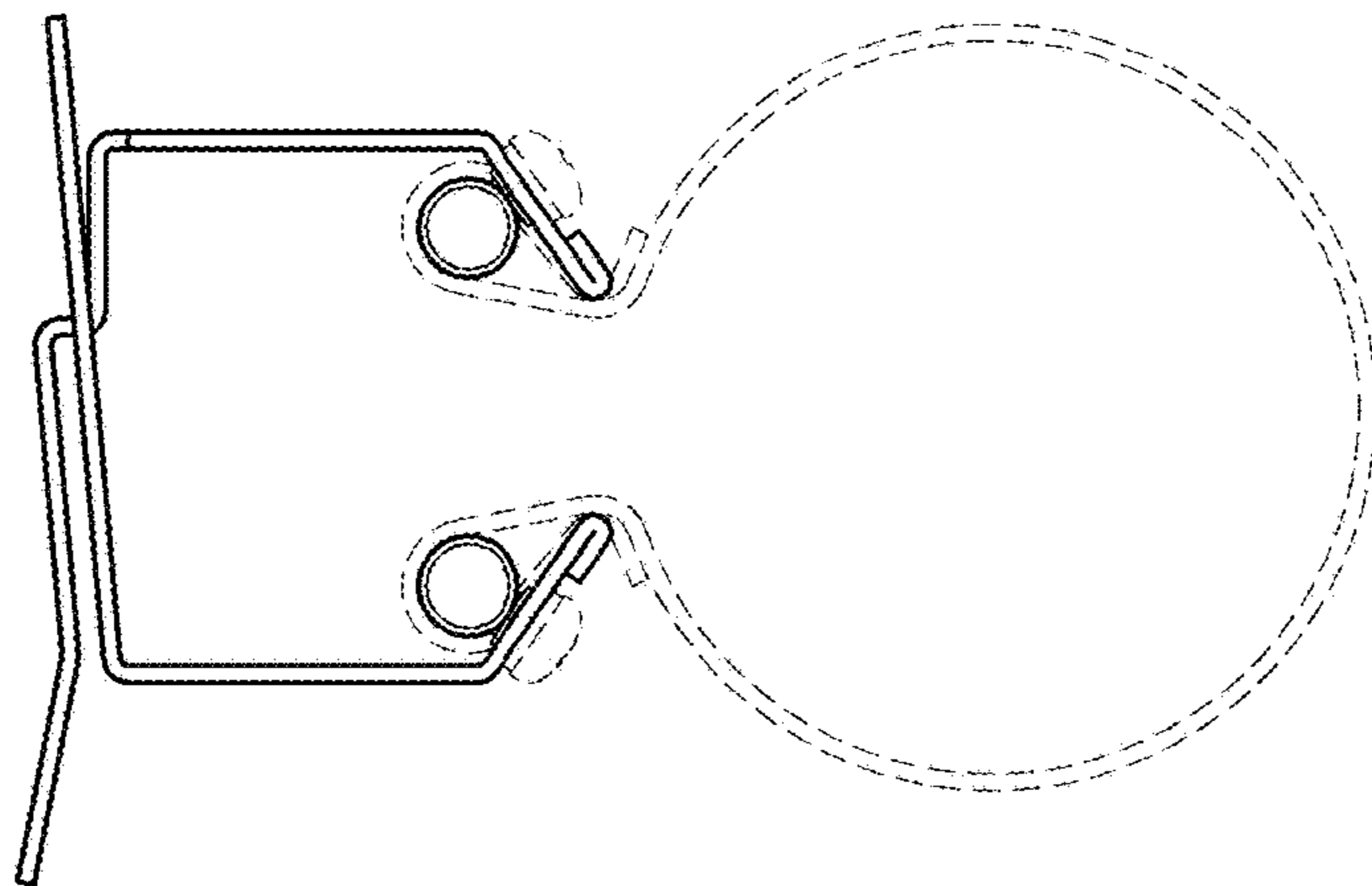
*Fig. 1*



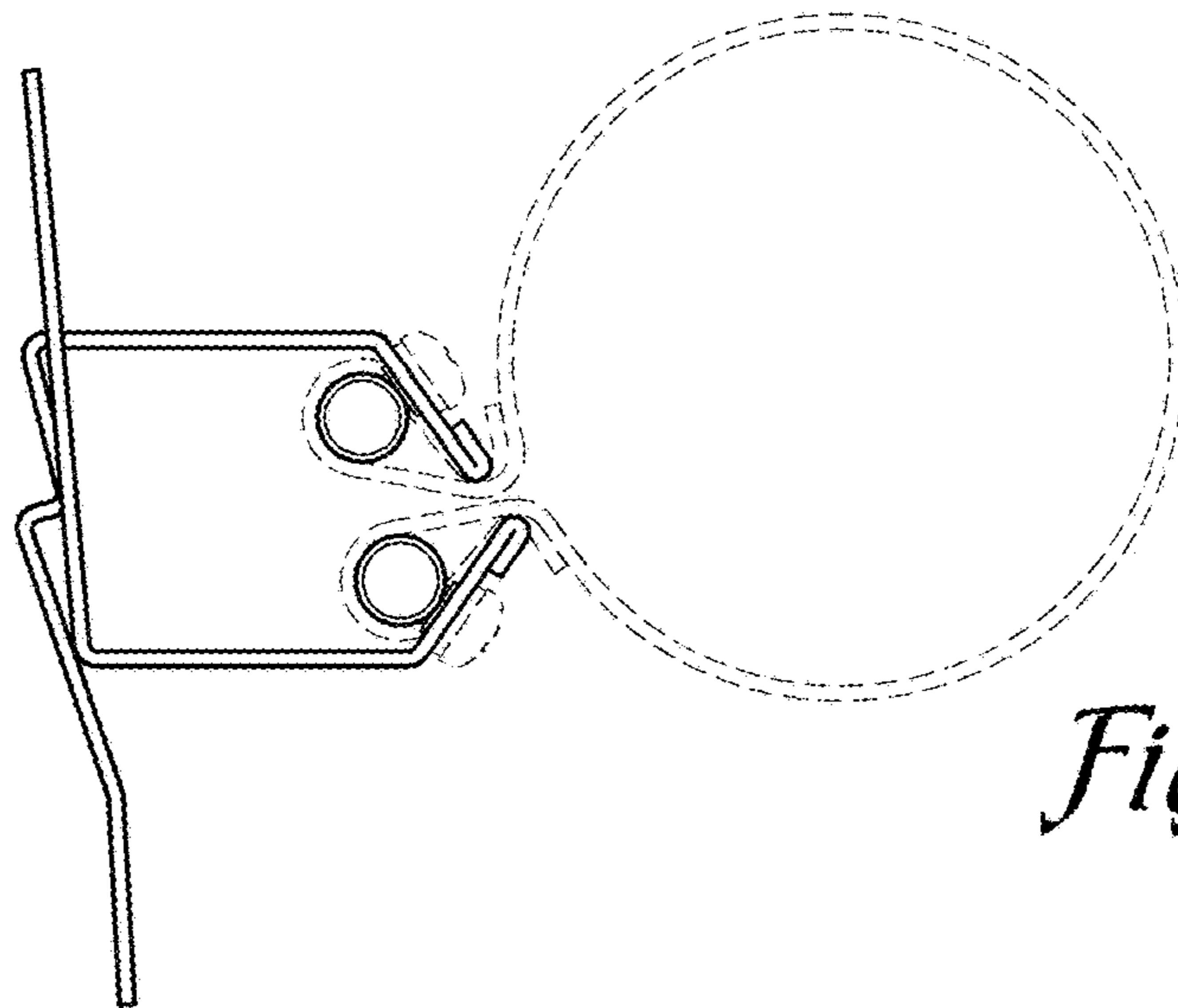
*Fig. 2*



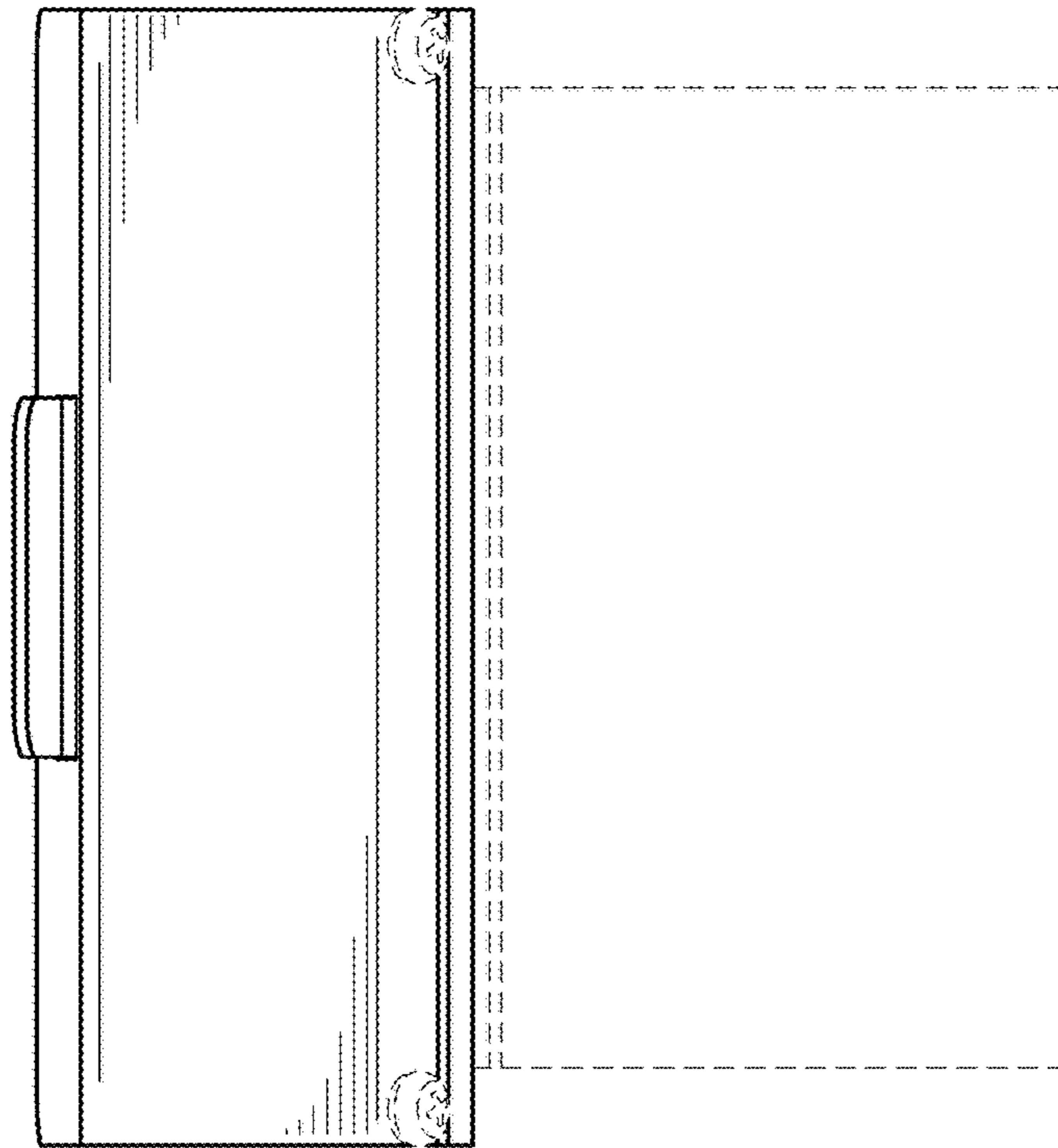
*Fig. 3*



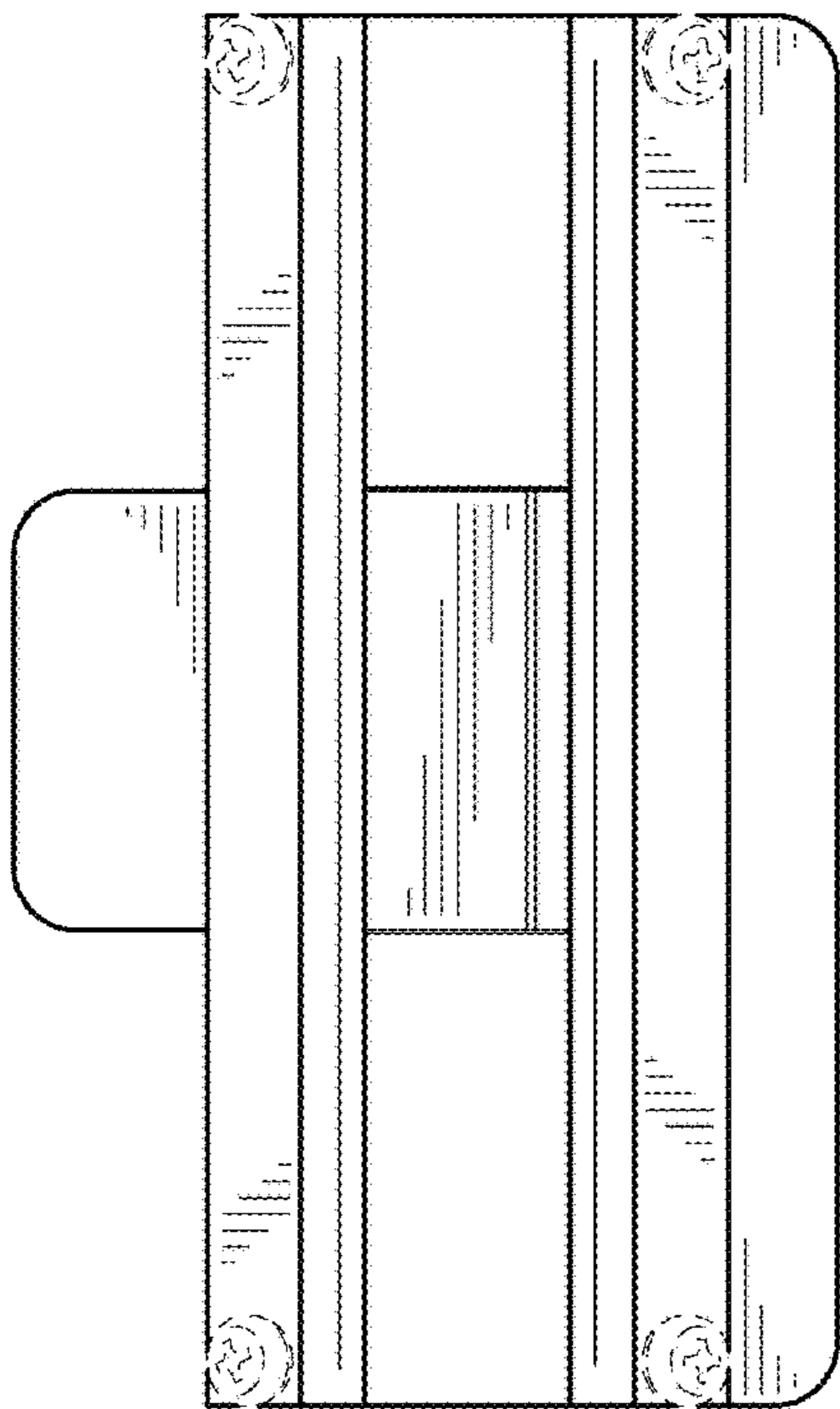
*Fig. 4*



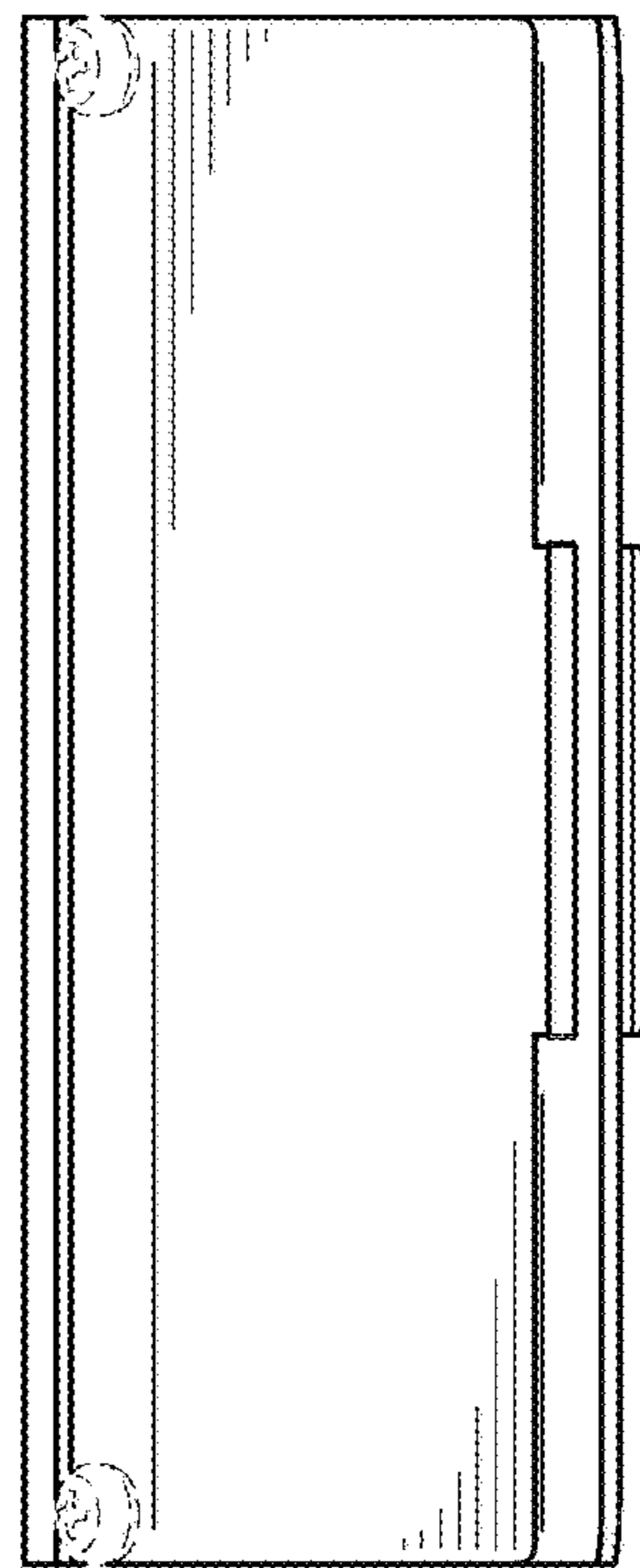
*Fig. 5*



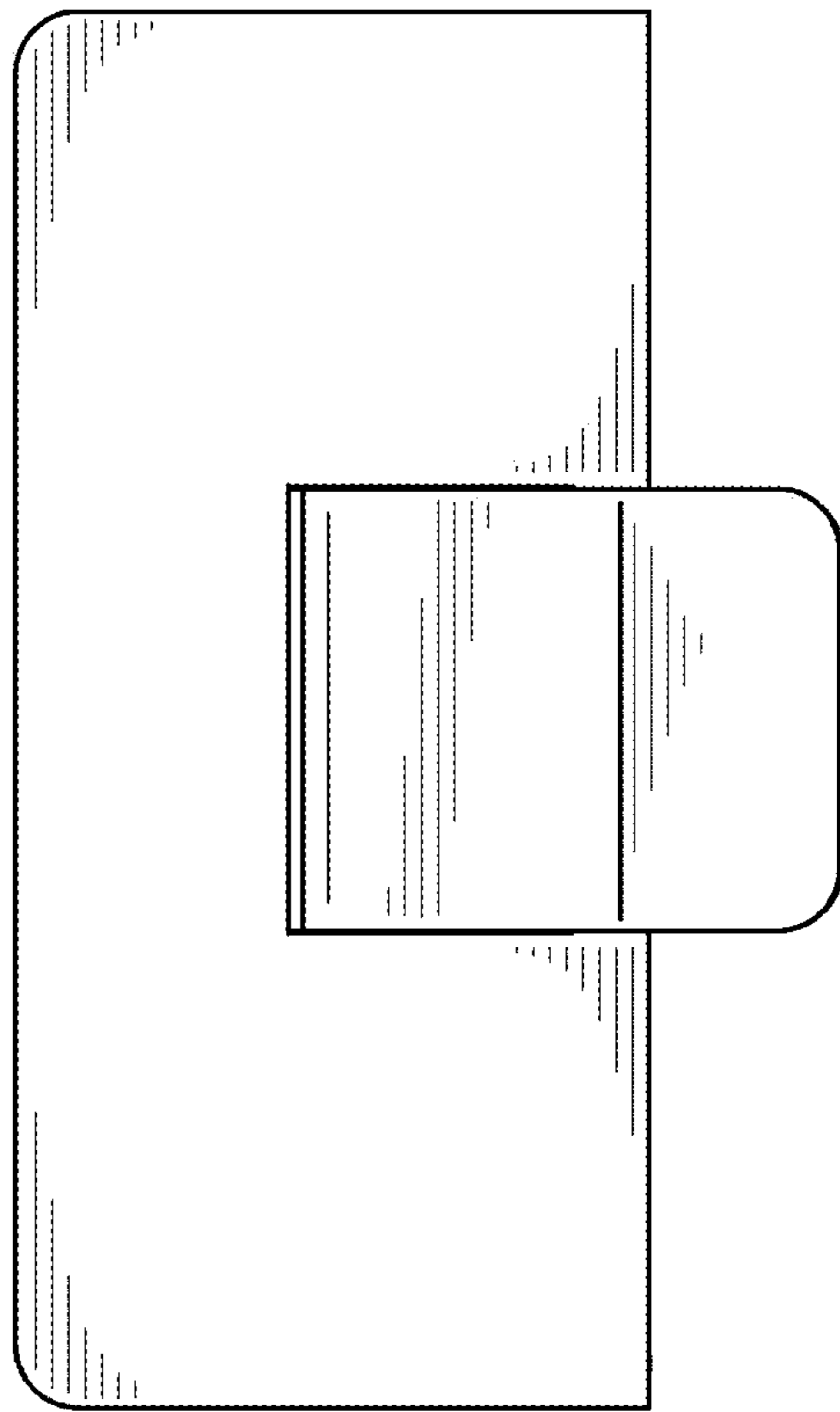
*Fig. 6*



*Fig. 7*



*Fig. 8*



*Fig. 9*