



US00D827022S

(12) **United States Design Patent**
Yamashita et al.

(10) **Patent No.:** **US D827,022 S**

(45) **Date of Patent:** **** Aug. 28, 2018**

(54) **PRINTER**

(71) Applicant: **SEIKO EPSON CORPORATION,**
Tokyo (JP)

(72) Inventors: **Yusuke Yamashita,** Matsumoto (JP);
Ichiro Yoshioka, Matsumoto (JP);
Hisayuki Akahane, Matsumoto (JP)

(73) Assignee: **SEIKO EPSON CORPORATION,**
Tokyo (JP)

(**) Term: **15 Years**

(21) Appl. No.: **29/594,680**

(22) Filed: **Feb. 22, 2017**

(30) **Foreign Application Priority Data**

Aug. 26, 2016 (JP) 2016-018163

(51) **LOC (11) Cl.** **18-02**

(52) **U.S. Cl.**
USPC **D18/50**

(58) **Field of Classification Search**
USPC D18/50, 54.1, 54, 36-37
CPC . B41J 3/4075; B41J 11/58; B41J 15/12; B41J
15/42; B41J 29/02; B41J 25/304
See application file for complete search history.

(56) **References Cited**

U.S. PATENT DOCUMENTS

D197,818 S * 3/1964 Hockenberry D18/36
D291,094 S * 7/1987 Nakade D18/55

D648,379 S * 11/2011 Ishikawa D18/50
D737,895 S * 9/2015 Nanno D18/50
D744,584 S * 12/2015 Seki D18/50
D752,139 S * 3/2016 Seki D18/50
D754,787 S * 4/2016 Yoshioka D18/50
D770,565 S * 11/2016 Tanaka D18/50
D806,790 S * 1/2018 Sato D18/50
2015/0360488 A1* 12/2015 Shuto B41J 25/304
347/37
2018/0093511 A1* 4/2018 Taketsugu B41J 29/54

* cited by examiner

Primary Examiner — Robin Valery Webster

Assistant Examiner — James C. Thorn, Sr.

(57) **CLAIM**

The ornamental design for a printer, as shown and described.

DESCRIPTION

FIG. 1 is a front, top and right side perspective view of a printer showing our new design;
FIG. 2 is a rear, top and left side perspective view thereof;
FIG. 3 is a front view thereof;
FIG. 4 is a rear view thereof;
FIG. 5 is a top plan view thereof;
FIG. 6 is a bottom plan view thereof;
FIG. 7 is a right side view thereof; and,
FIG. 8 is a left side view thereof.
The features shown in broken lines in the drawings depict portions of the article that form no part of the claimed design.

1 Claim, 8 Drawing Sheets

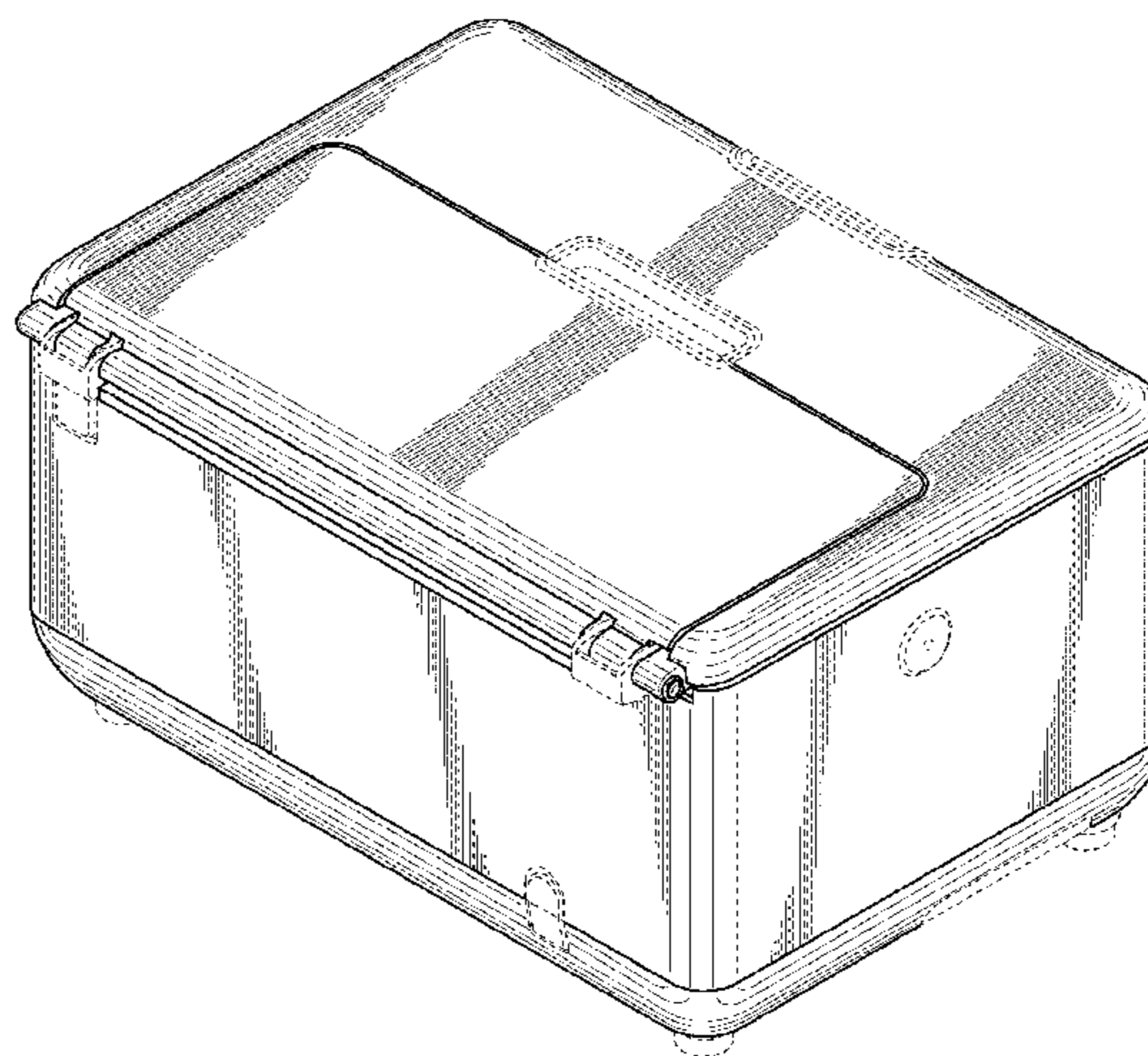
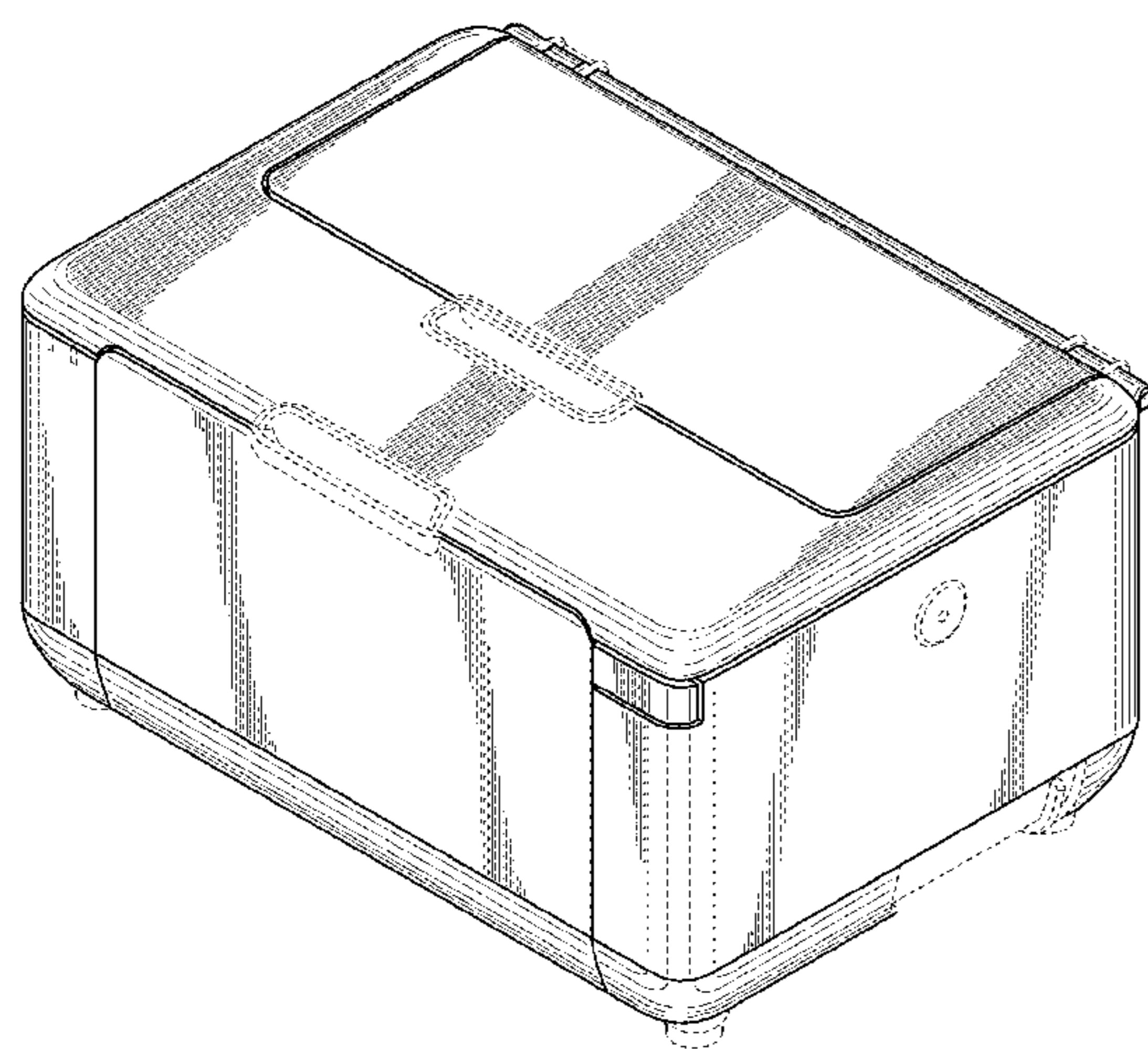


FIG. 1

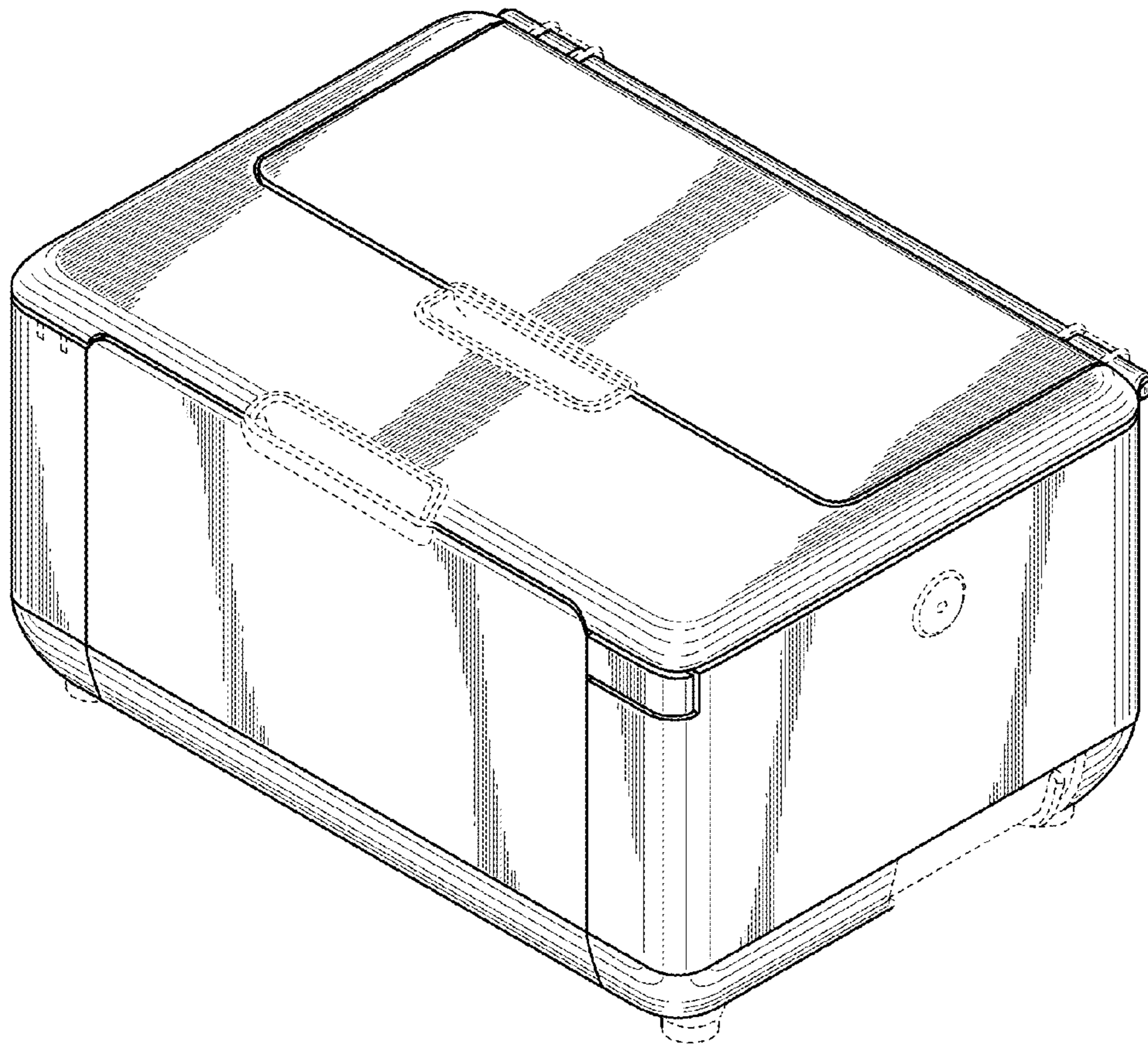


FIG. 2

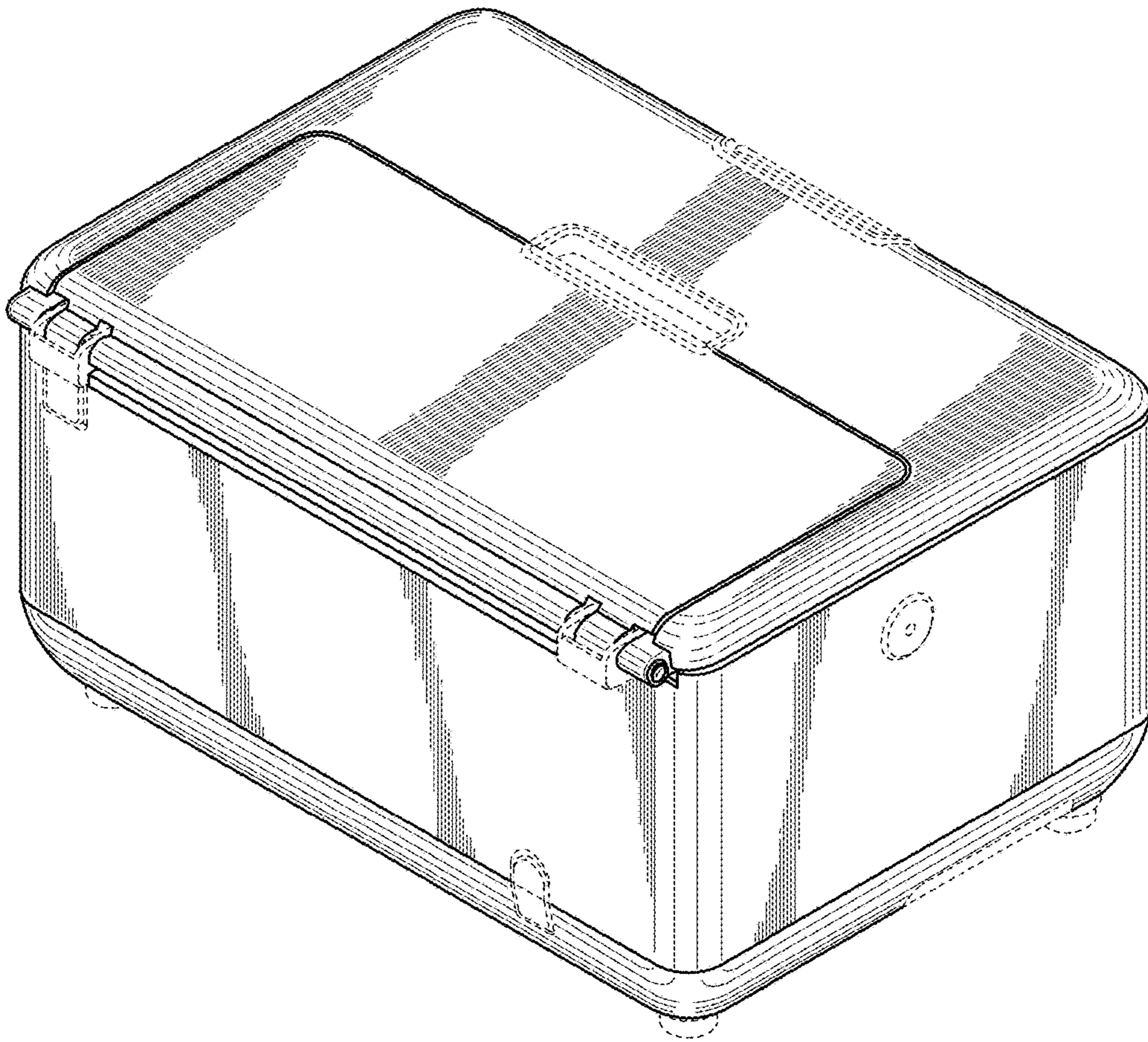


FIG. 3

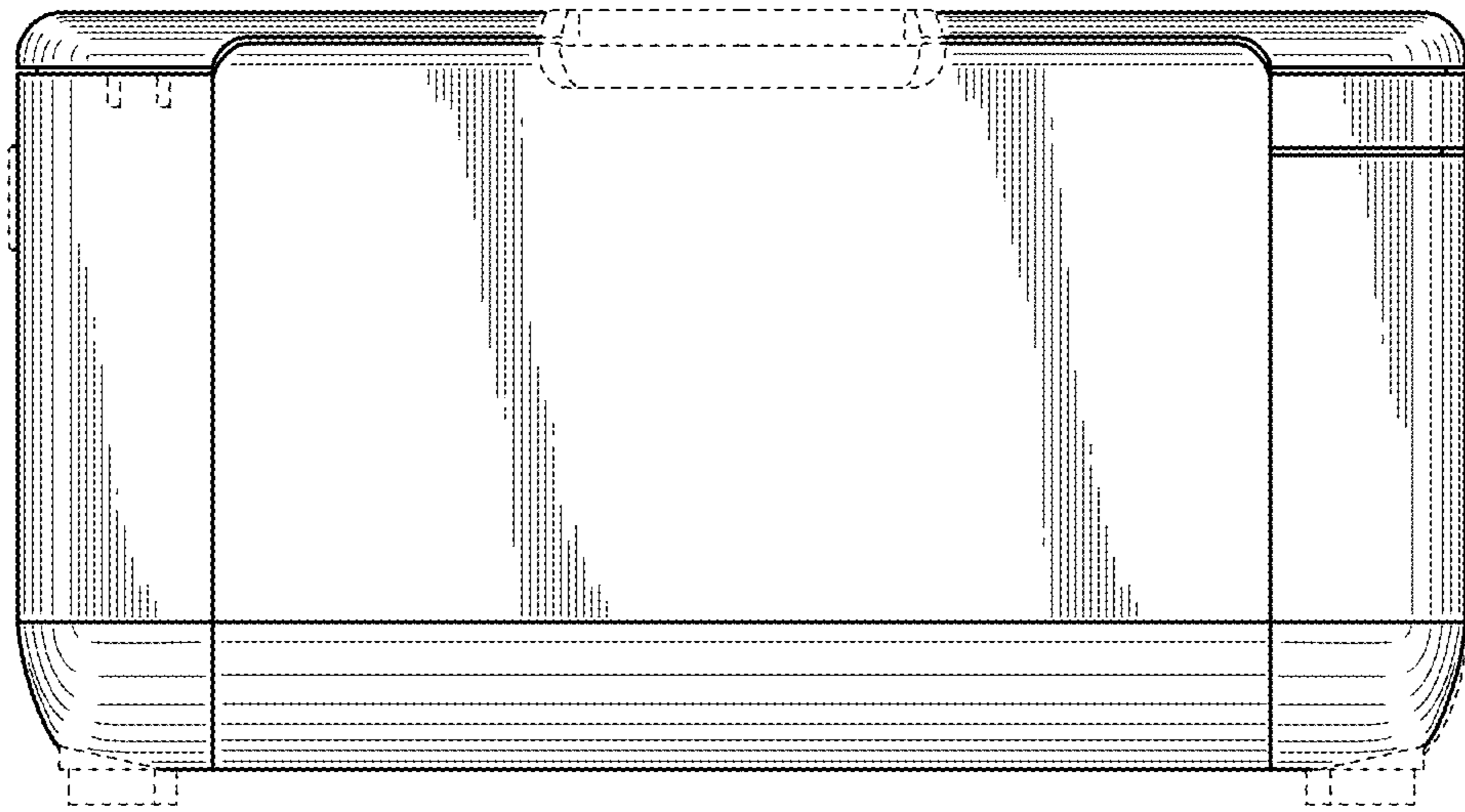


FIG. 4

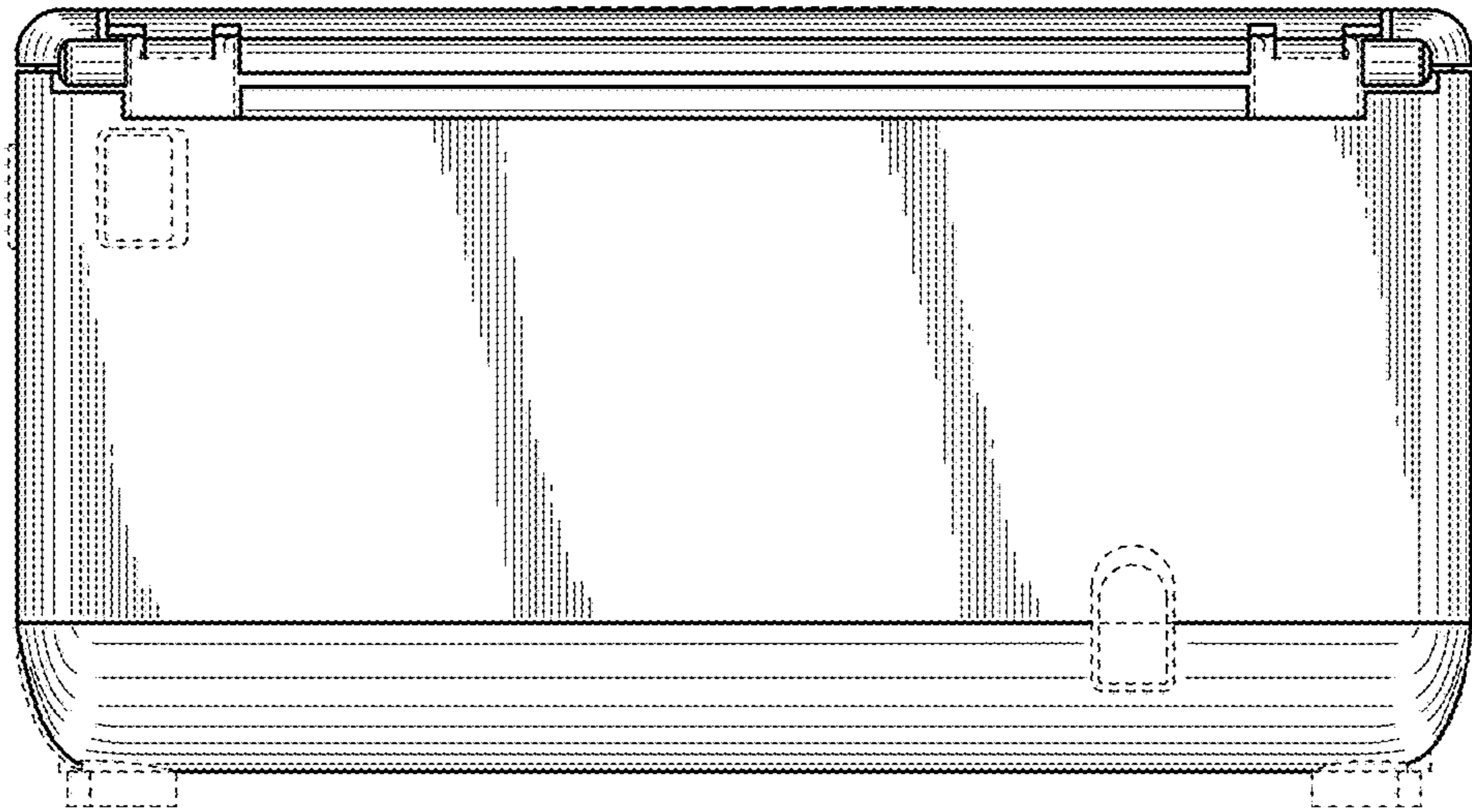


FIG. 5

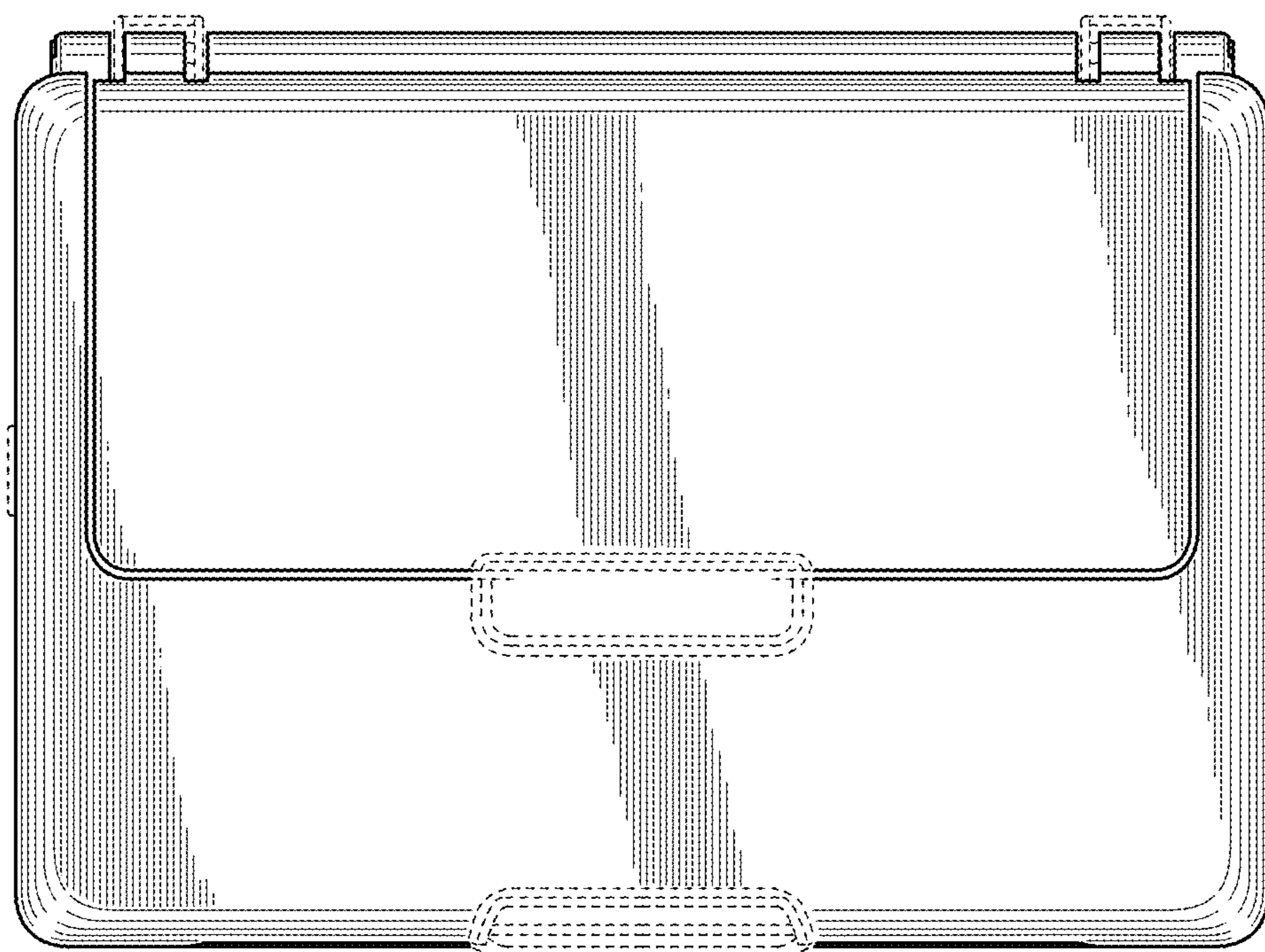


FIG. 6

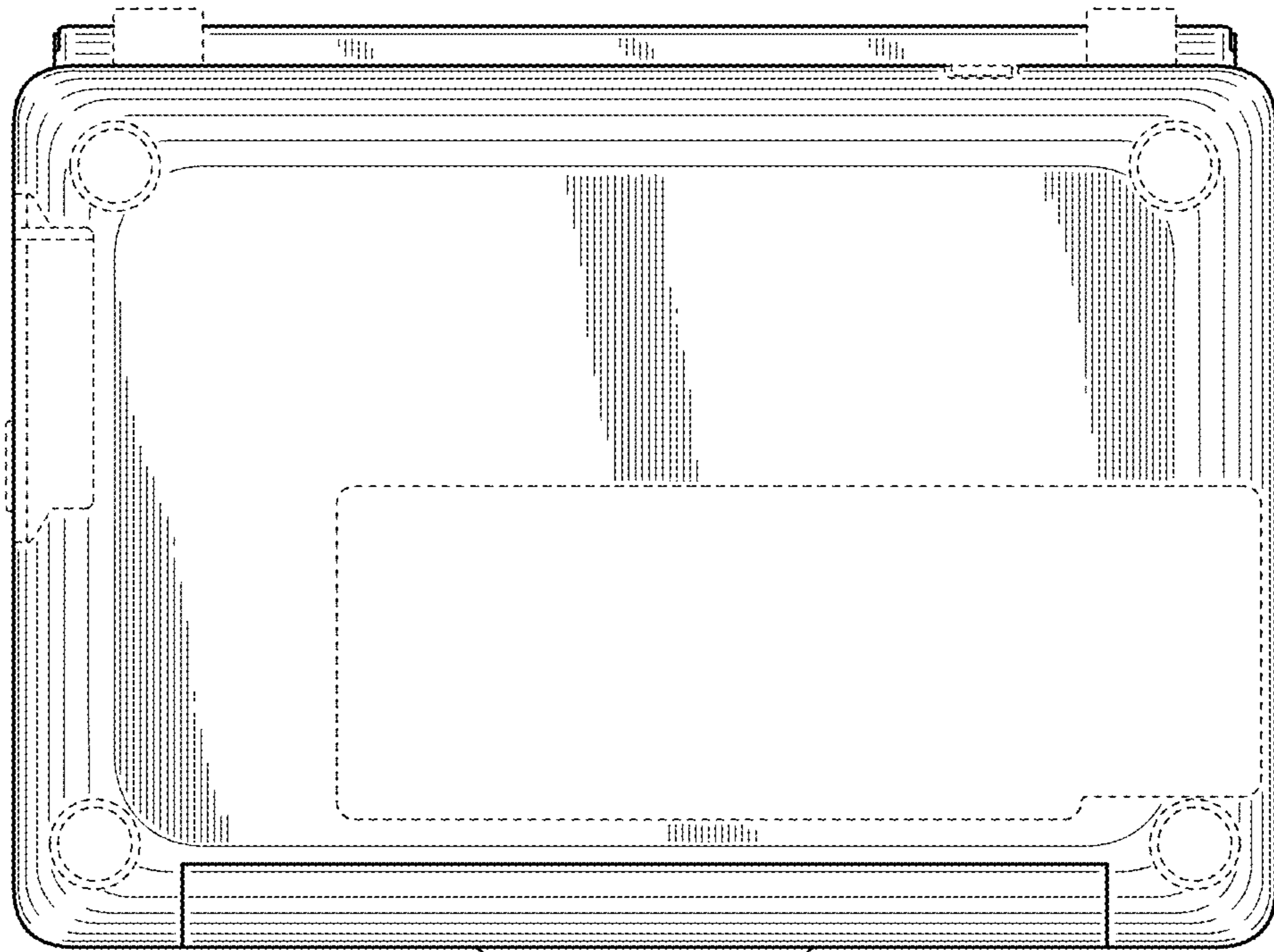


FIG. 7

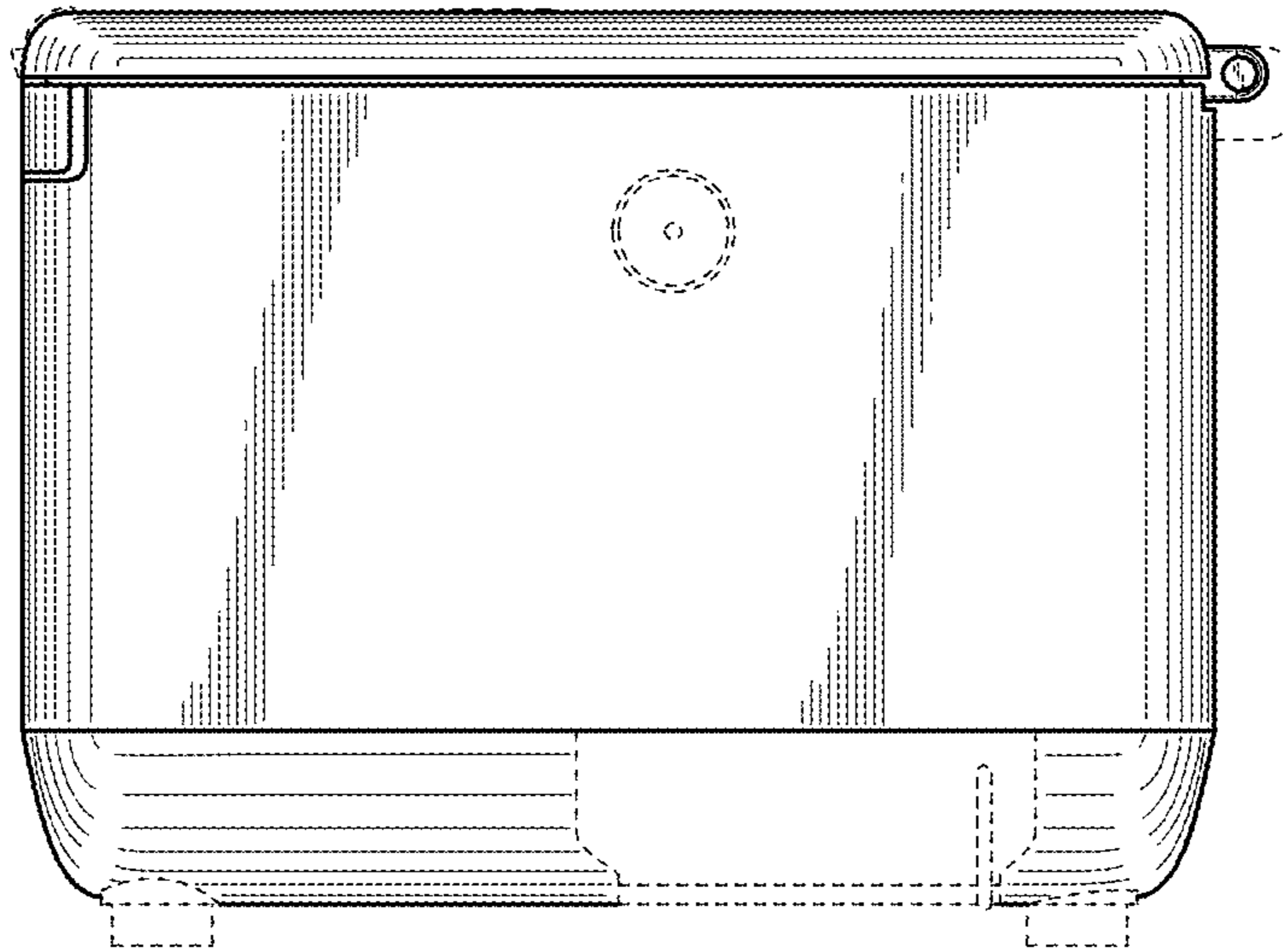


FIG. 8

