



US00D827019S

(12) **United States Design Patent**
Egami et al.

(10) **Patent No.:** **US D827,019 S**

(45) **Date of Patent:** **** Aug. 28, 2018**

(54) **PRINTER**

(71) Applicant: **BROTHER INDUSTRIES, LTD.**,
Nagoya-shi, Aichi-ken (JP)

(72) Inventors: **Keiichiro Egami**, Kuwana (JP);
Yusuke Nakata, Konan (JP); **Jun Komura**, Nagoya (JP)

(73) Assignee: **BROTHER INDUSTRIES, LTD.**,
Nagoya (JP)

(**) Term: **15 Years**

(21) Appl. No.: **29/618,639**

(22) Filed: **Sep. 22, 2017**

(30) **Foreign Application Priority Data**

Mar. 28, 2017 (JP) 2017-006306

(51) **LOC (11) Cl.** **16-03**

(52) **U.S. Cl.**
USPC **D18/40; D18/56**

(58) **Field of Classification Search**
USPC D18/50, 54.1, 54, 36-37, 40, 56;
D14/498, 502

CPC . B41J 3/4075; B41J 11/58; B41J 15/12; B41J
15/42; B41J 29/02; B41J 25/304

See application file for complete search history.

(56) **References Cited**

U.S. PATENT DOCUMENTS

D434,793 S * 12/2000 Chiba D18/50
6,241,407 B1 * 6/2001 Huggins B41J 3/36
101/288

D548,776 S * 8/2007 Egami D18/50
D555,192 S * 11/2007 Egami D18/12.3
D578,154 S * 10/2008 Isogai D18/40
D607,046 S * 12/2009 Sato D18/50
D697,967 S * 1/2014 Fukasawa D18/55
D737,896 S * 9/2015 Ozawa D18/50
D786,349 S * 5/2017 Mita D18/56
D812,684 S * 3/2018 Tashima D18/50
2005/0147450 A1 * 7/2005 Sugimoto B41J 3/4075
400/613

* cited by examiner

Primary Examiner — Robin Valery Webster

Assistant Examiner — James C. Thorn, Sr.

(74) *Attorney, Agent, or Firm* — Oliff PLC

(57) **CLAIM**

The ornamental design for a printer, as shown and described.

DESCRIPTION

FIG. 1 is a perspective view of a printer;

FIG. 2 is a front view thereof;

FIG. 3 is a top view thereof;

FIG. 4 is a right-side view thereof;

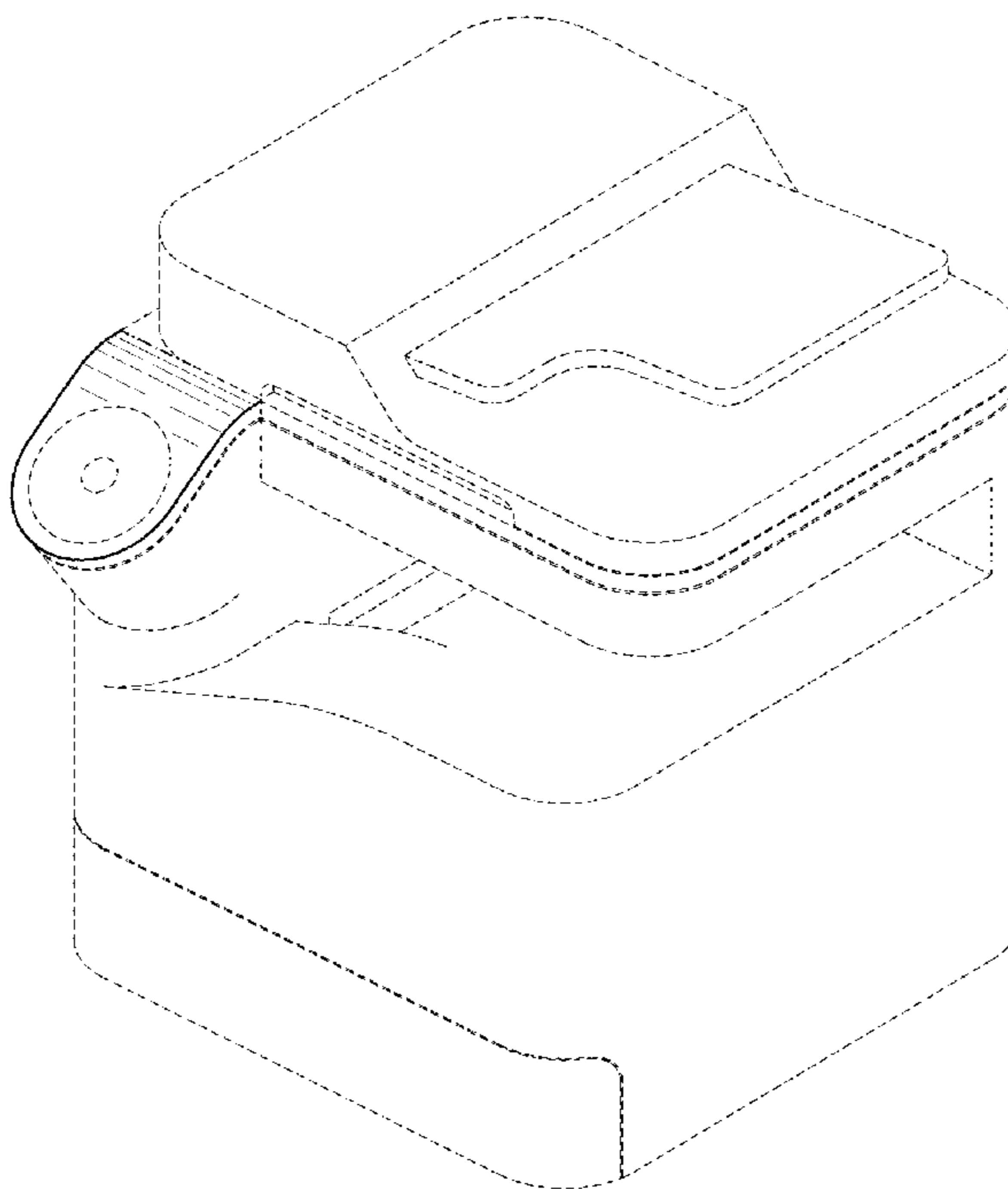
FIG. 5 is a left-side view thereof;

FIG. 6 is a rear view thereof; and,

FIG. 7 is a bottom view thereof.

The broken lines depict unclaimed portions of the printer and form no part of the claimed design. The dot-dash chain lines depict a boundary of the claimed subject matter and form no part of the claimed design.

1 Claim, 7 Drawing Sheets



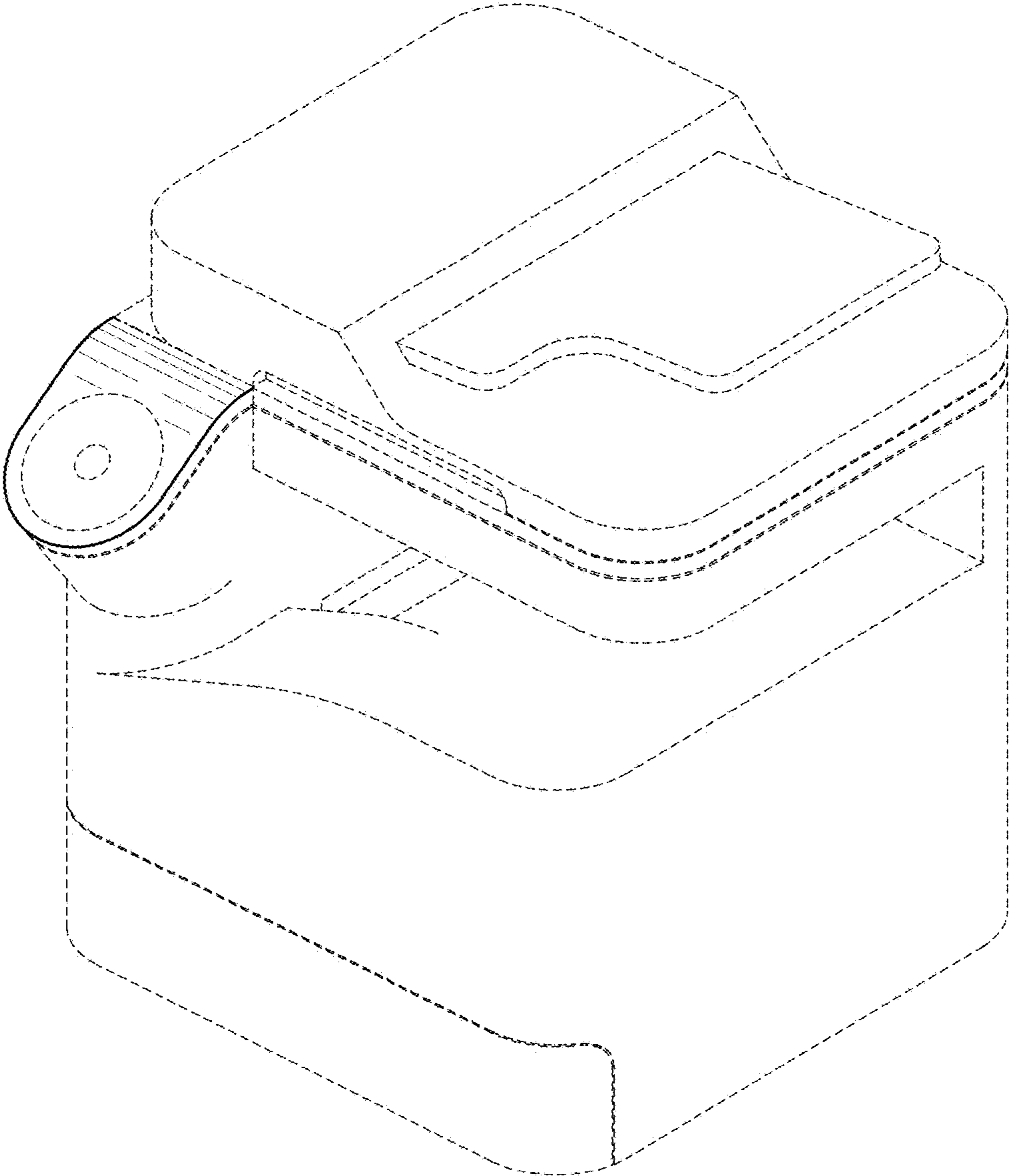


FIG. 1

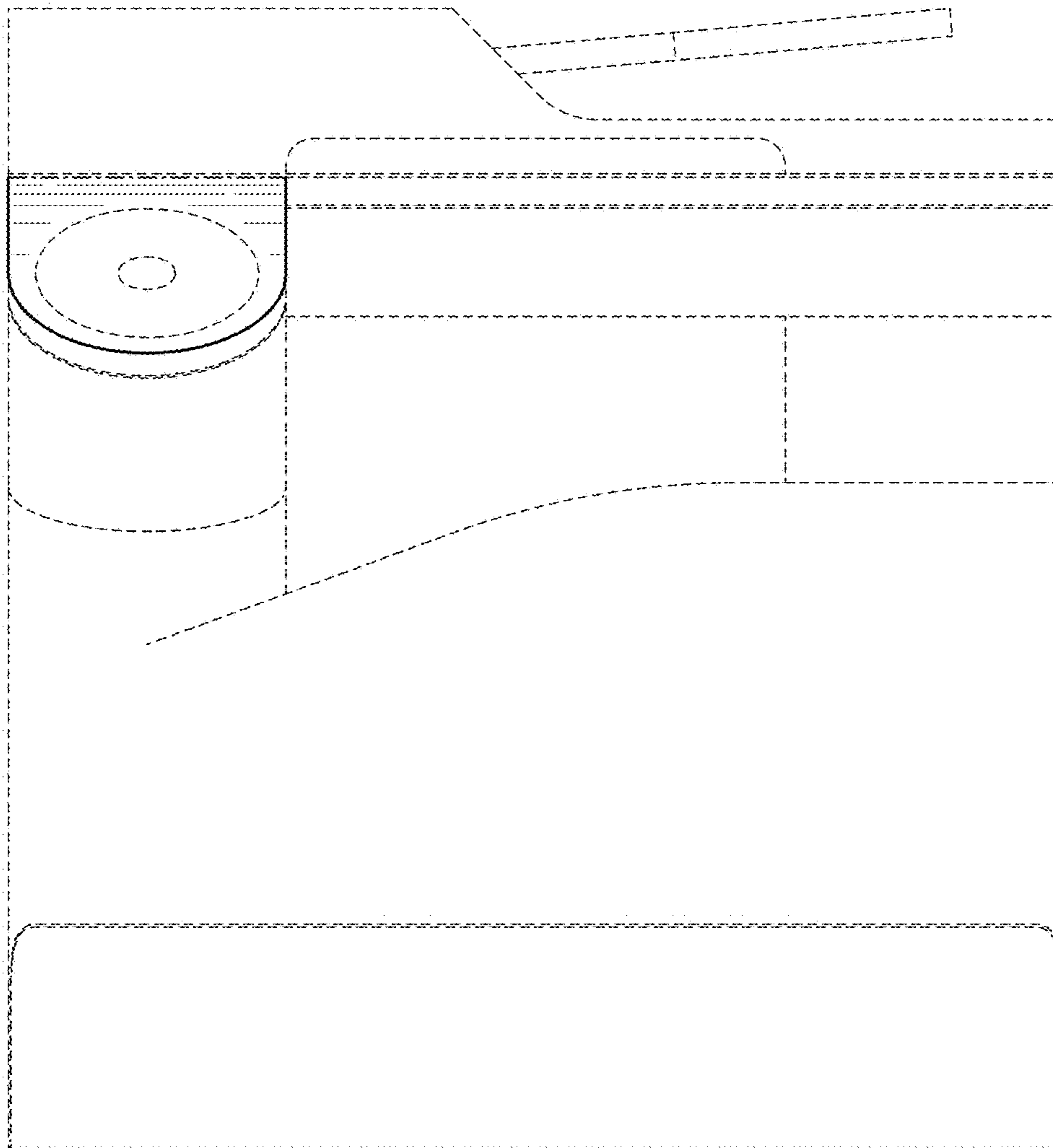


FIG. 2

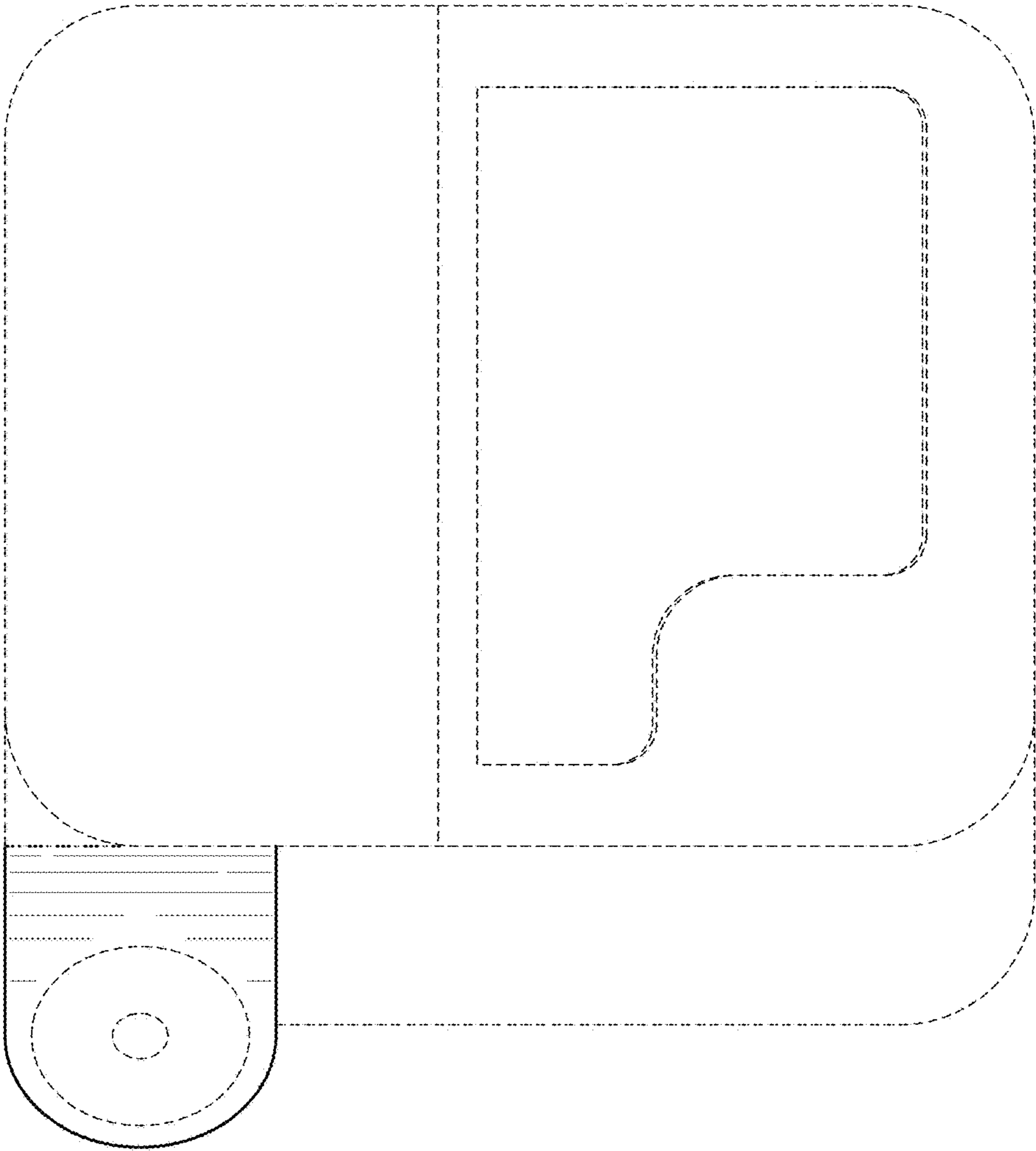


FIG. 3

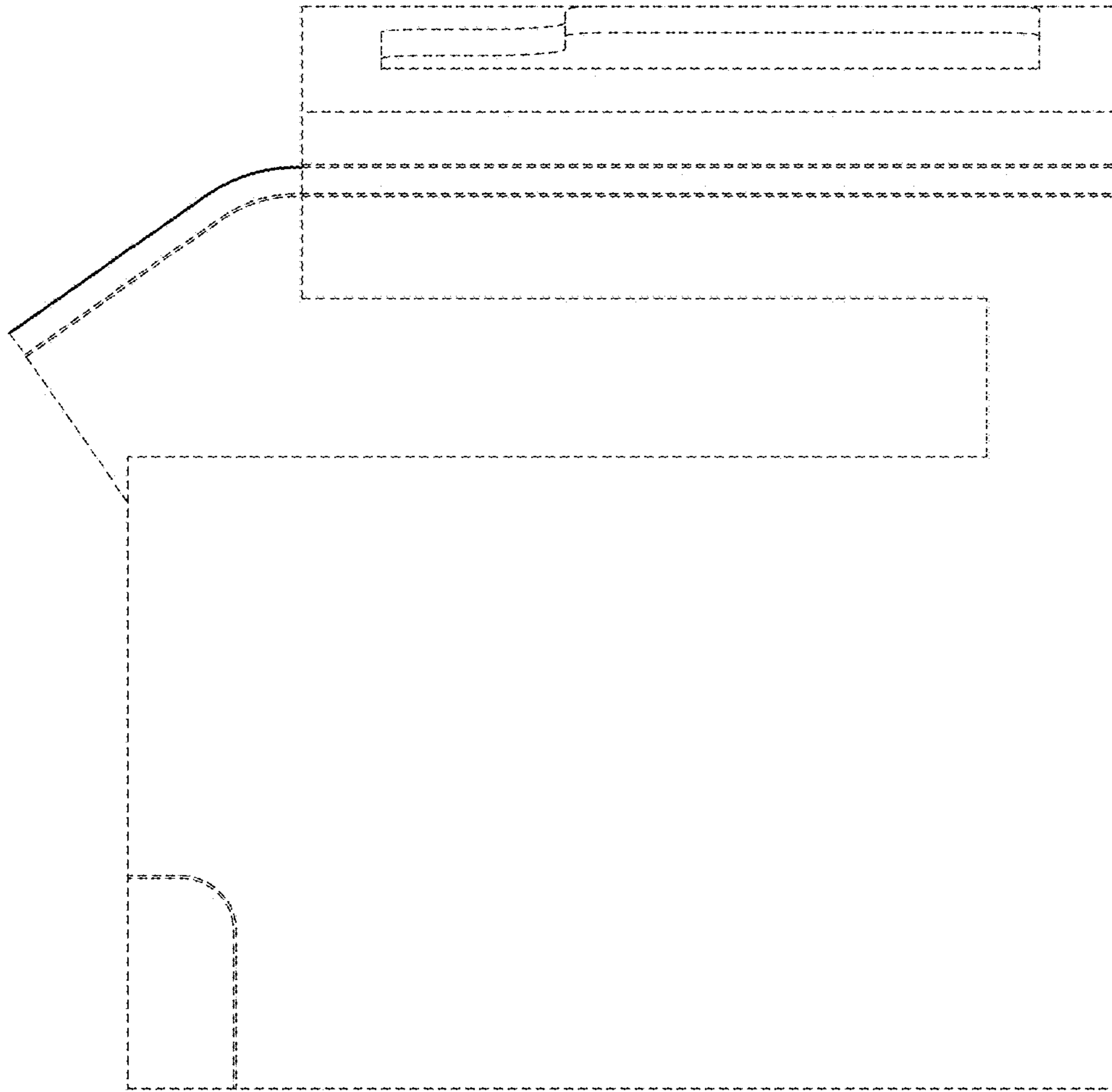


FIG. 4

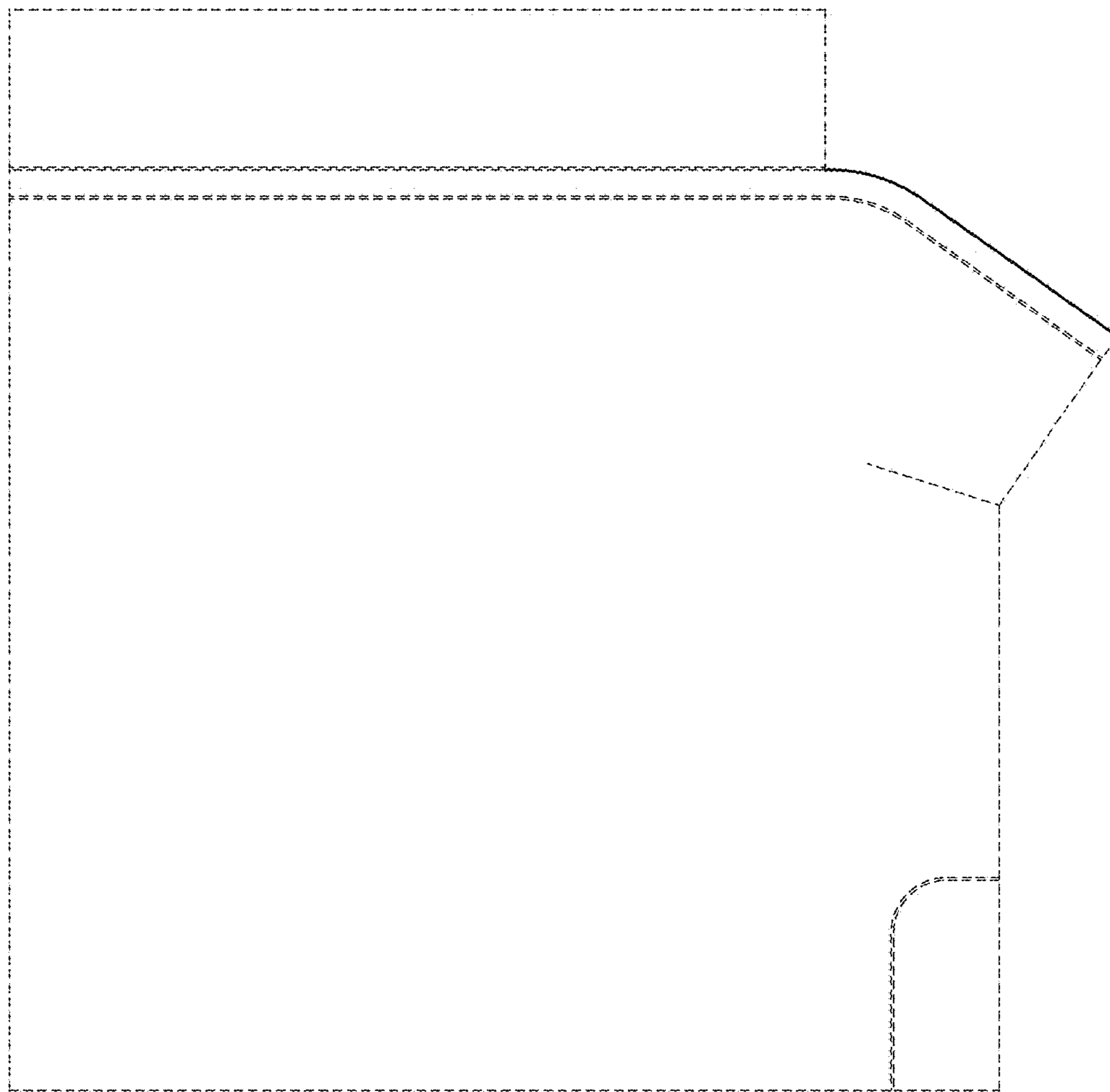


FIG. 5

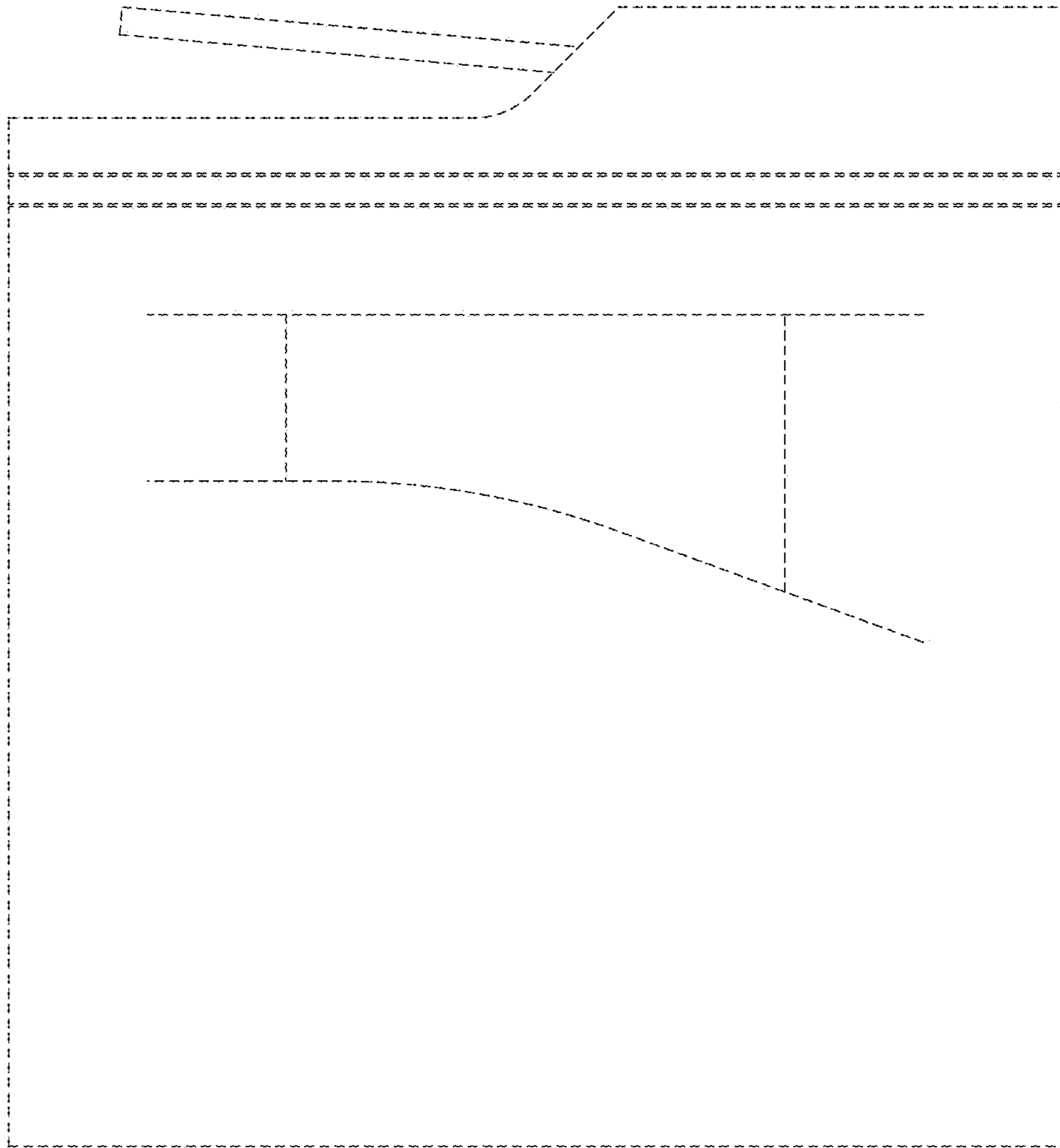


FIG. 6

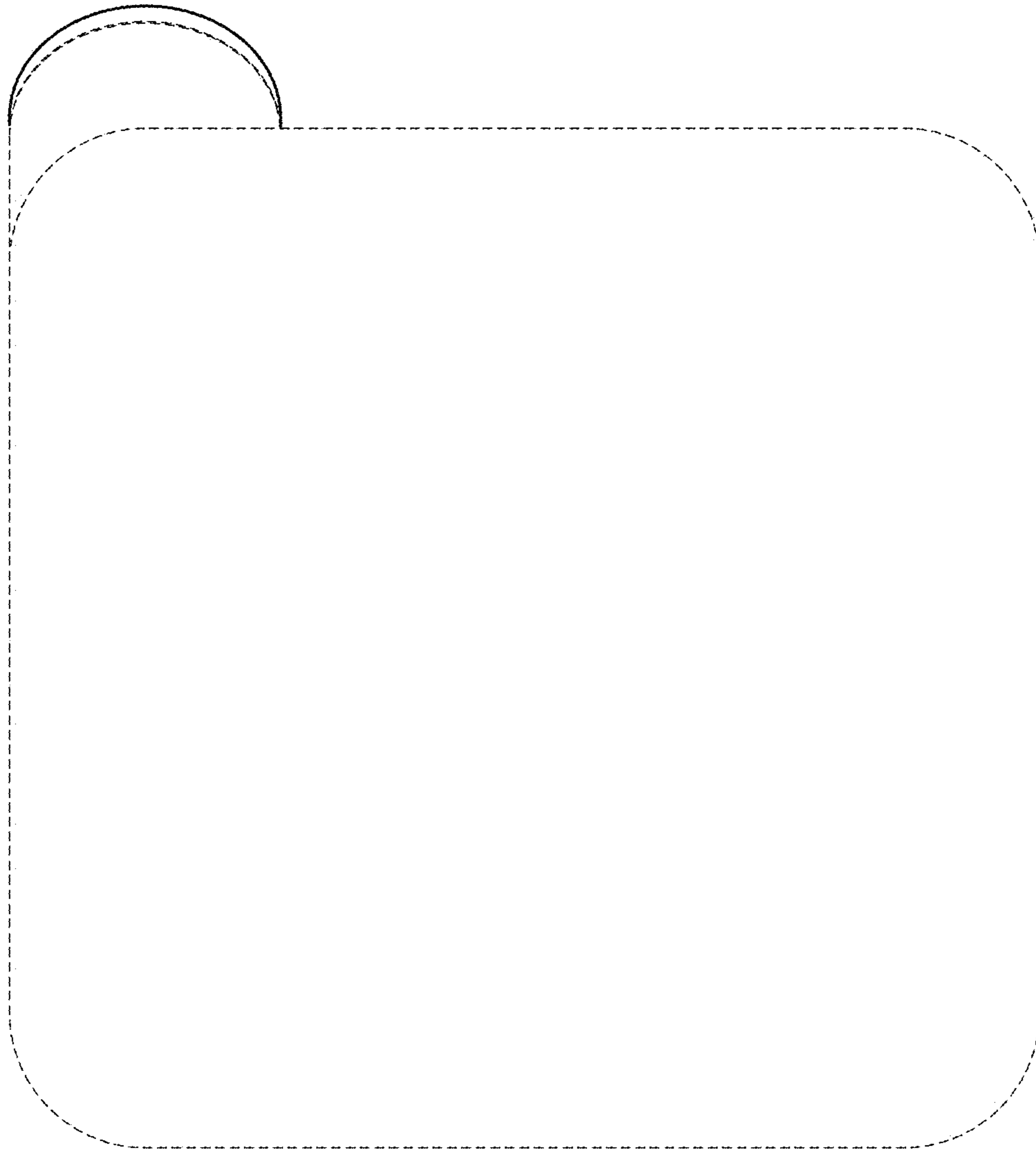


FIG. 7