



US00D827015S

(12) **United States Design Patent** (10) **Patent No.:** **US D827,015 S**
Chen (45) **Date of Patent:** **** Aug. 28, 2018**

(54) **NIGHT VISION GOGGLES**
(71) Applicant: **SHENZHEN WANNEY SCIENCE AND TECHNOLOGY CO., LTD.**, Shenzhen, Guangdong Province (CN)
(72) Inventor: **Shanwen Chen**, Shenzhen (CN)
(73) Assignee: **SHENZHEN WANNEY SCIENCE AND TECHNOLOGY CO., LTD.**, Shenzhen (CN)

D513,032 S * 12/2005 Diamantidis D16/300
D548,251 S * 8/2007 Broersma D16/101
D549,265 S * 8/2007 Saderholm D16/312
D556,811 S * 12/2007 Bruck D16/312
D565,083 S * 3/2008 Tominaga D16/311
D590,003 S * 4/2009 Knecht D16/311
D599,394 S * 9/2009 Dondero D16/312
D601,641 S * 10/2009 Yeung D16/306
D669,471 S * 10/2012 Hwang D14/372
D680,576 S * 4/2013 Chen D16/312
D688,294 S * 8/2013 Roy D16/309
D701,206 S * 3/2014 Luckey D14/372
D719,953 S * 12/2014 Nokuo D14/372

(**) Term: **15 Years**

(Continued)

(21) Appl. No.: **29/588,937**

OTHER PUBLICATIONS

(22) Filed: **Dec. 25, 2016**

Head-mounted Night-vision WNNVE-B201A(USA), announced unknown, [online], [site visited Nov. 9, 2017]. Available from Internet, <URL: http://hk2dabb7.hk.17uhui.com.cn/page87?product_id=1> (Year: 2017).*

(30) **Foreign Application Priority Data**

Jun. 24, 2016 (CN) 2016 3 0277778

(51) **LOC (11) Cl.** **16-06**

(52) **U.S. Cl.**
USPC **D16/312**

(58) **Field of Classification Search**
USPC D16/101, 300-342, 900; D29/109-110; D21/483, 659-661; D14/372; 351/41, 351/44, 45-48, 51-52, 62, 158, 92, 351/103-123, 140-153, 63, 59; 2/13, 15, 2/426-432, 447-449, 441, 434-437
CPC G02C 2200/08; G02C 1/06; G02C 5/14; G02C 11/02; G02C 11/04; G02C 5/16; G02C 2200/22; G02C 5/146; G02C 5/2254; G02C 5/008; G01C 5/16; A61M 2021/0044; G02B 27/2228; A63B 33/002
See application file for complete search history.

Primary Examiner — Michelle E. Wilson
Assistant Examiner — Sanjeev Paul
(74) *Attorney, Agent, or Firm* — JCIPRNET

(57) **CLAIM**

The ornamental design for night vision goggles, as shown and described.

DESCRIPTION

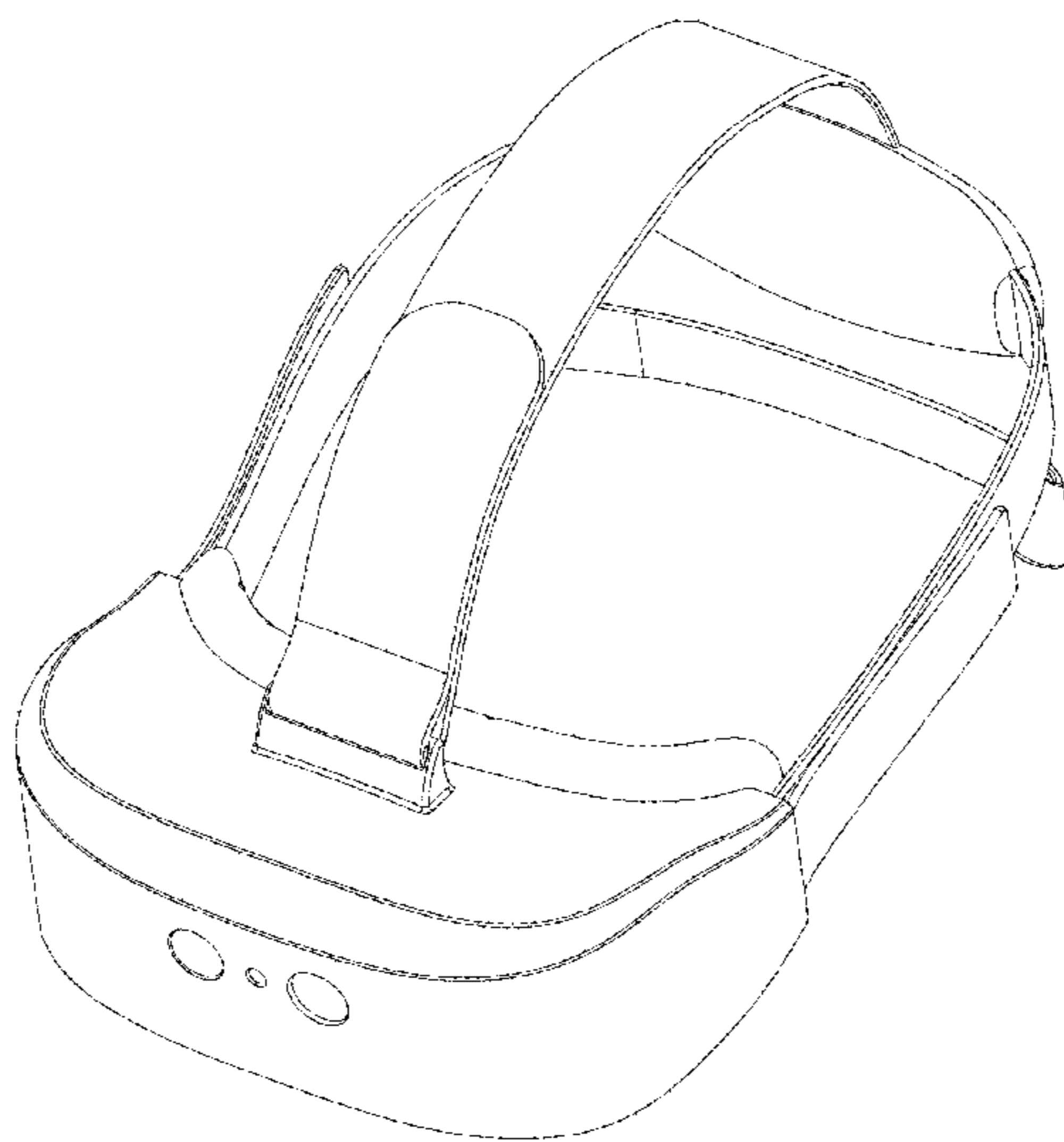
FIG. 1 is a perspective front View of night vision goggles; FIG. 2 is a front View thereof; FIG. 3 is a rear View thereof; FIG. 4 is a right side View thereof; FIG. 5 is a left side View thereof; FIG. 6 is a top View thereof; and, FIG. 7 is a bottom View thereof. The broken lines shown unclaimed portions of the article form no part of the claimed design.

(56) **References Cited**

U.S. PATENT DOCUMENTS

D484,170 S * 12/2003 Zorkendorfer D16/300
6,824,265 B1 * 11/2004 Harper G02C 11/04
351/158

1 Claim, 7 Drawing Sheets



(56)

References Cited

U.S. PATENT DOCUMENTS

D726,243 S * 4/2015 Raina D16/300
 D729,307 S * 5/2015 Noordzij D16/340
 D732,028 S * 6/2015 Kim D14/372
 D740,813 S * 10/2015 Bosveld D14/372
 D746,818 S * 1/2016 Cho D14/372
 D749,580 S * 2/2016 Kim D14/372
 D751,072 S * 3/2016 Lyons D14/372
 D753,111 S * 4/2016 Fei D14/372
 D753,112 S * 4/2016 Fei D14/372
 D759,015 S * 6/2016 Mehin D14/372
 D759,654 S * 6/2016 Sullivan D14/372
 D764,466 S * 8/2016 Kim D14/372
 D766,895 S * 9/2016 Choi D14/372
 D766,896 S * 9/2016 Li D14/372
 D773,461 S * 12/2016 Jiang D14/372
 D780,751 S * 3/2017 Park D14/372
 D781,288 S * 3/2017 Park D14/372
 D781,289 S * 3/2017 Patel D14/372
 D785,619 S * 5/2017 Su D14/372
 D791,126 S * 7/2017 Sullivan D14/372
 D791,129 S * 7/2017 Sullivan D14/372
 D792,879 S * 7/2017 Nakamura D14/372
 D793,390 S * 8/2017 Huang D14/372

D795,867 S * 8/2017 Huang D14/372
 D796,507 S * 9/2017 Chen D14/372
 D798,298 S * 9/2017 Haber D14/372
 D799,482 S * 10/2017 Thomas D14/372
 D800,116 S * 10/2017 Yee D14/372
 D800,117 S * 10/2017 Yee D14/372
 D801,969 S * 11/2017 Yee D14/372
 D801,970 S * 11/2017 Sullivan D14/372
 D809,517 S * 2/2018 Sakata D14/372
 2009/0128450 A1 * 5/2009 Nakabayashi G02B 27/0176
 345/8
 2016/0062454 A1 * 3/2016 Wang G09G 5/003
 345/633
 2016/0086386 A1 * 3/2016 Son G02B 27/017
 345/633
 2016/0361643 A1 * 12/2016 Allin G06F 3/0325
 2017/0010471 A1 * 1/2017 Serrano Canovas
 G02B 27/0176
 2017/0094816 A1 * 3/2017 Yun G02B 27/022
 2017/0102562 A1 * 4/2017 Ban G02C 11/10
 2017/0146802 A1 * 5/2017 Pletenetsky G02B 27/0176
 2017/0192198 A1 * 7/2017 Bristol G02B 7/12
 2017/0242262 A1 * 8/2017 Fuchs G02B 27/2228
 2017/0255019 A1 * 9/2017 Lyons G02B 27/0172

* cited by examiner

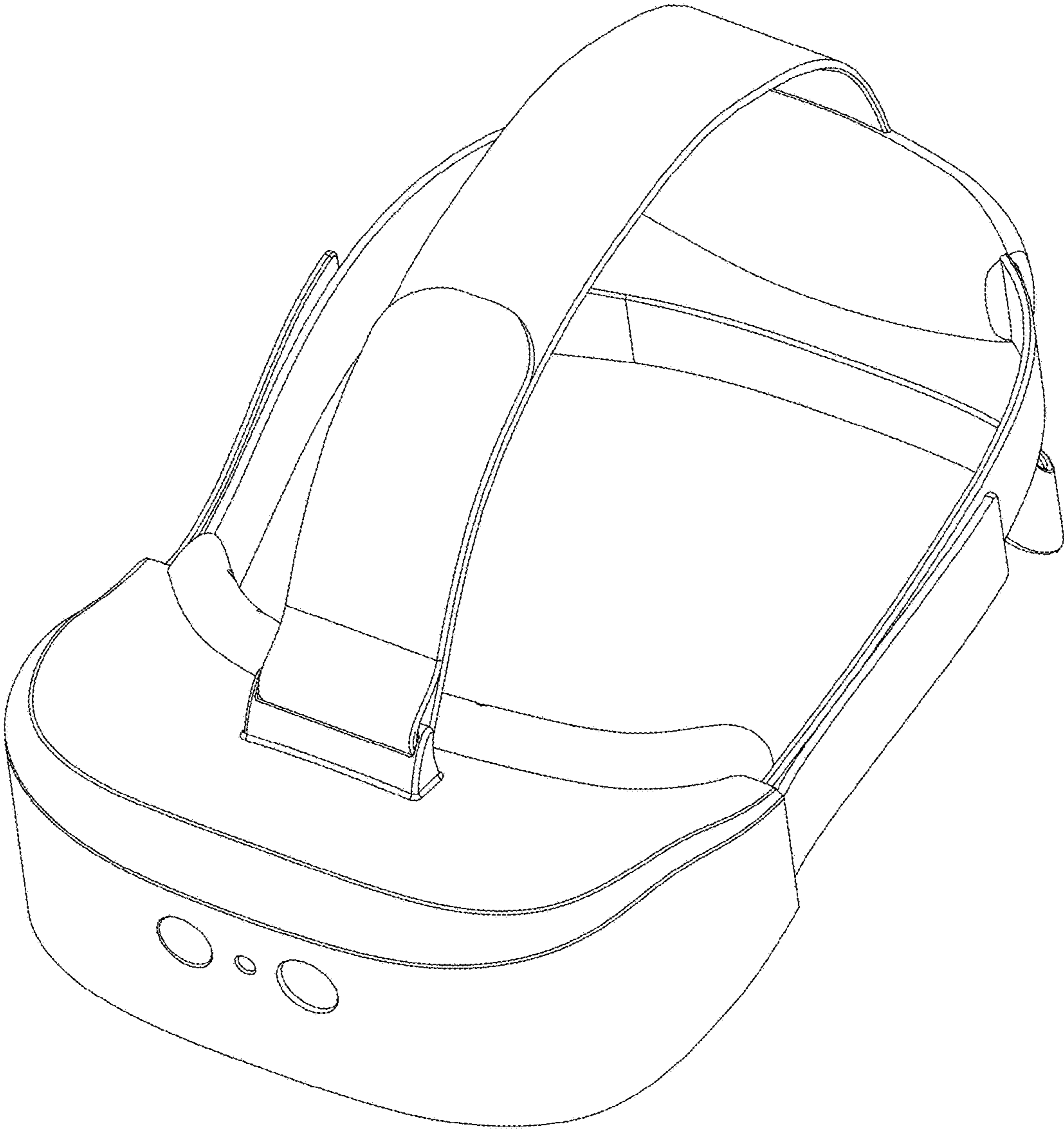


FIG. 1

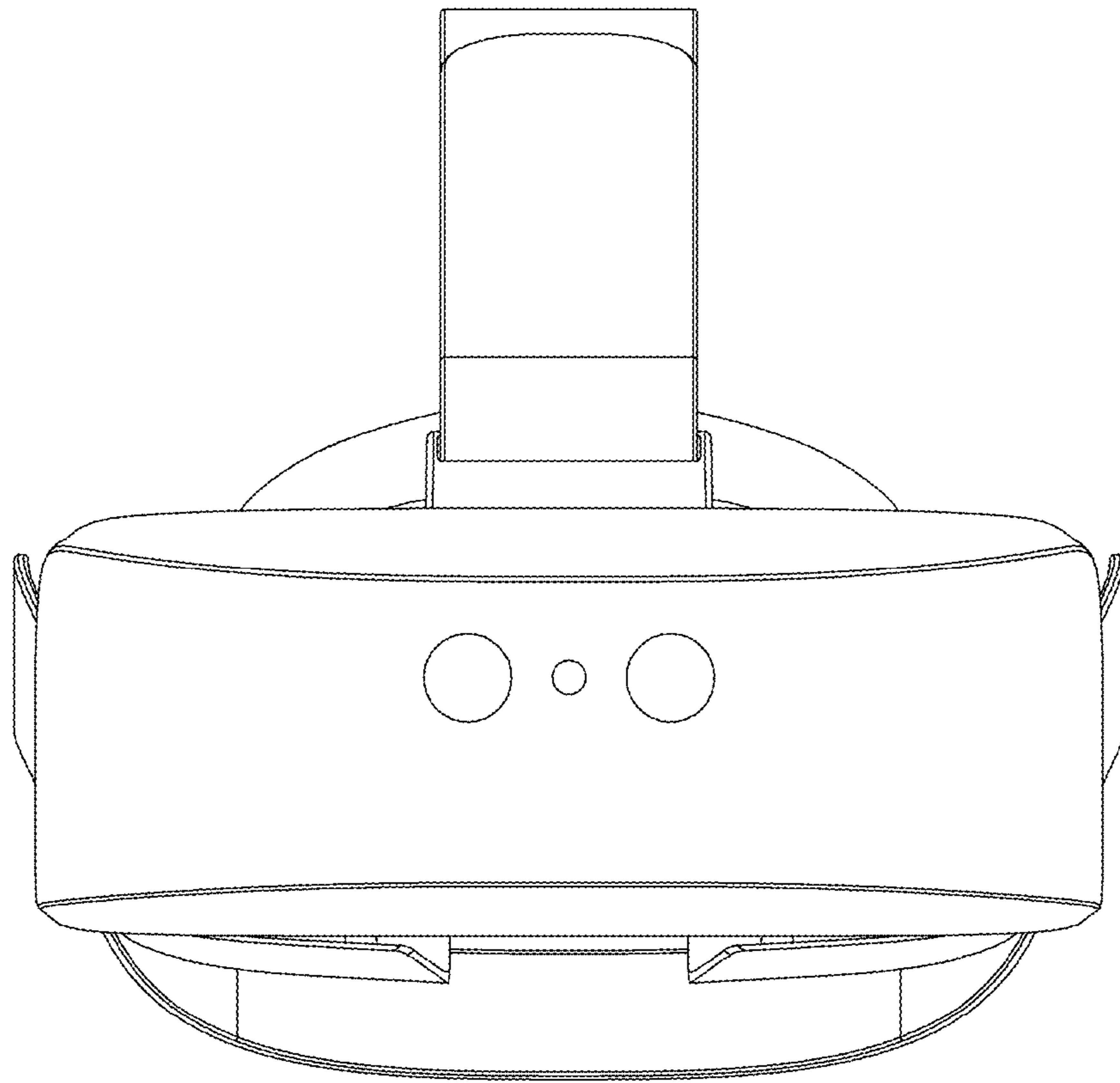


FIG. 2

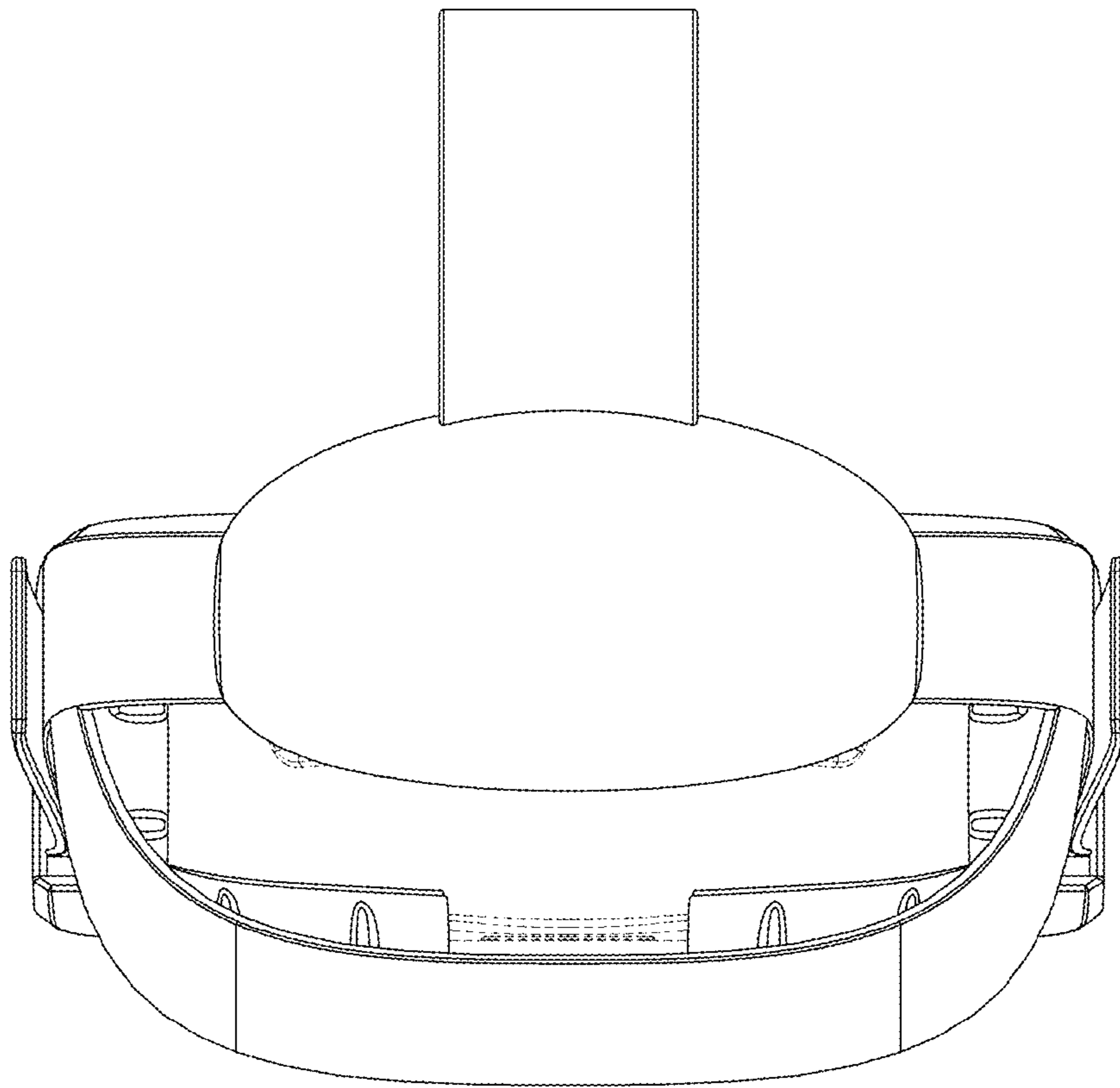


FIG. 3

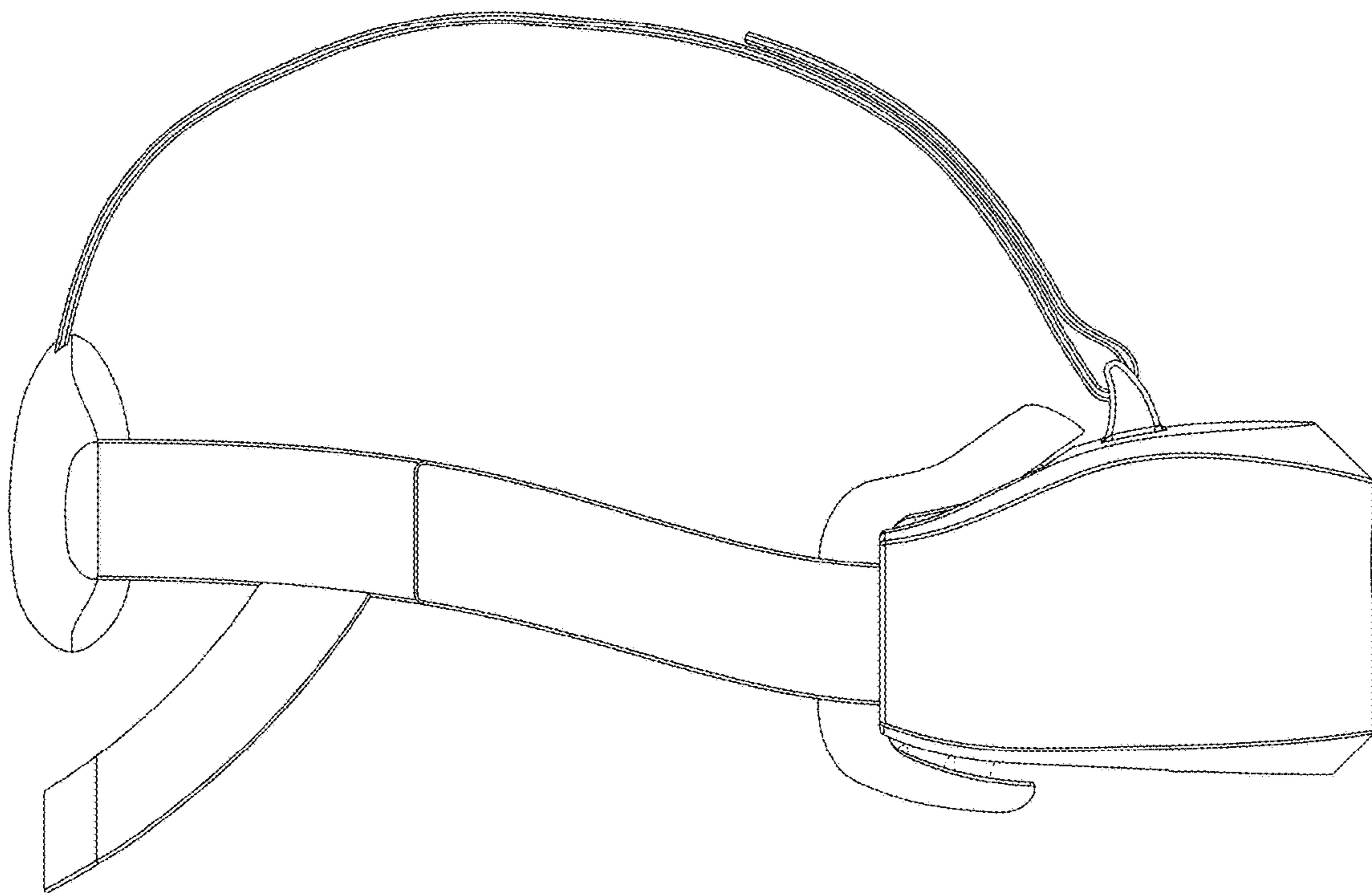


FIG. 4

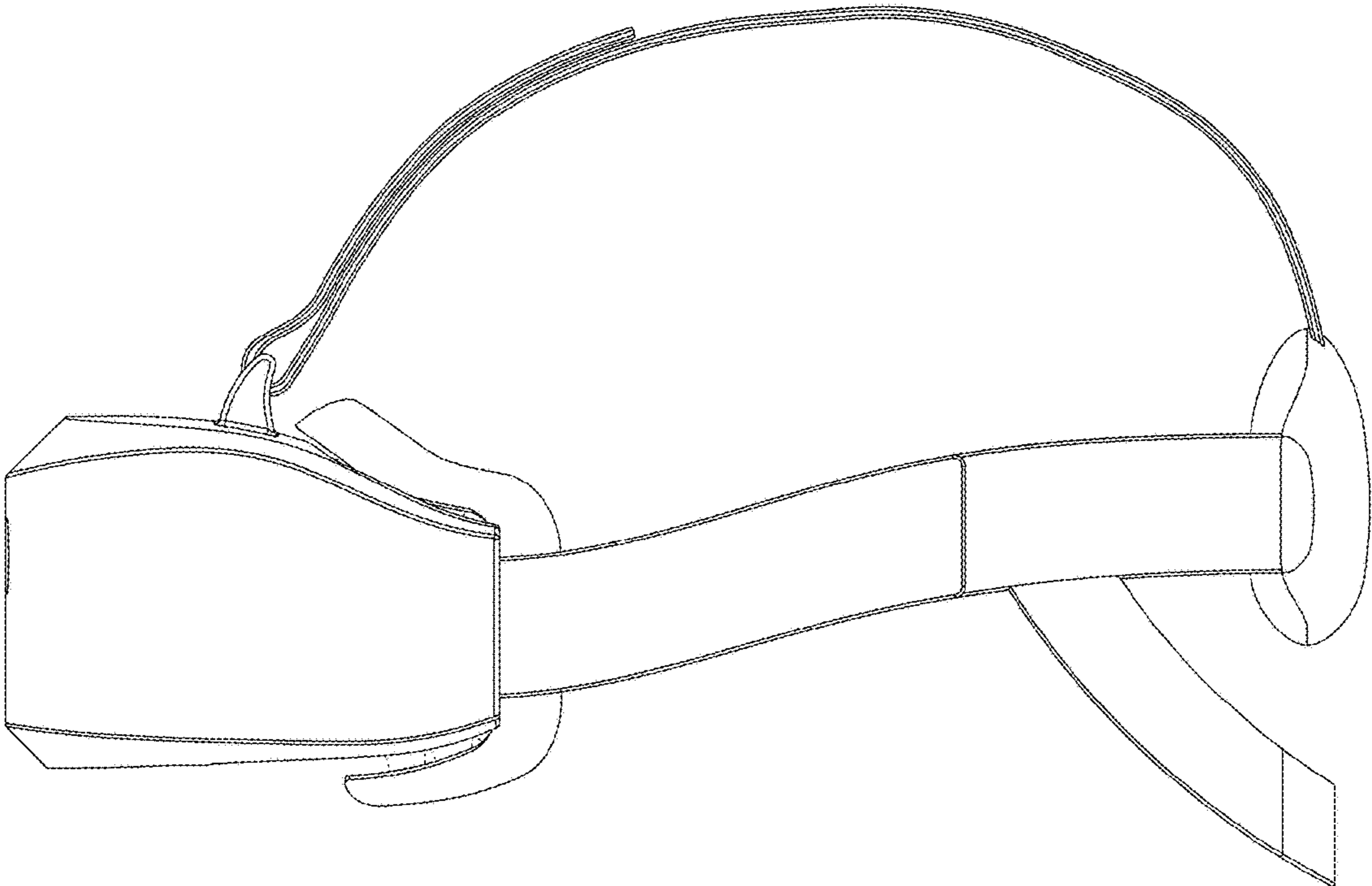


FIG. 5

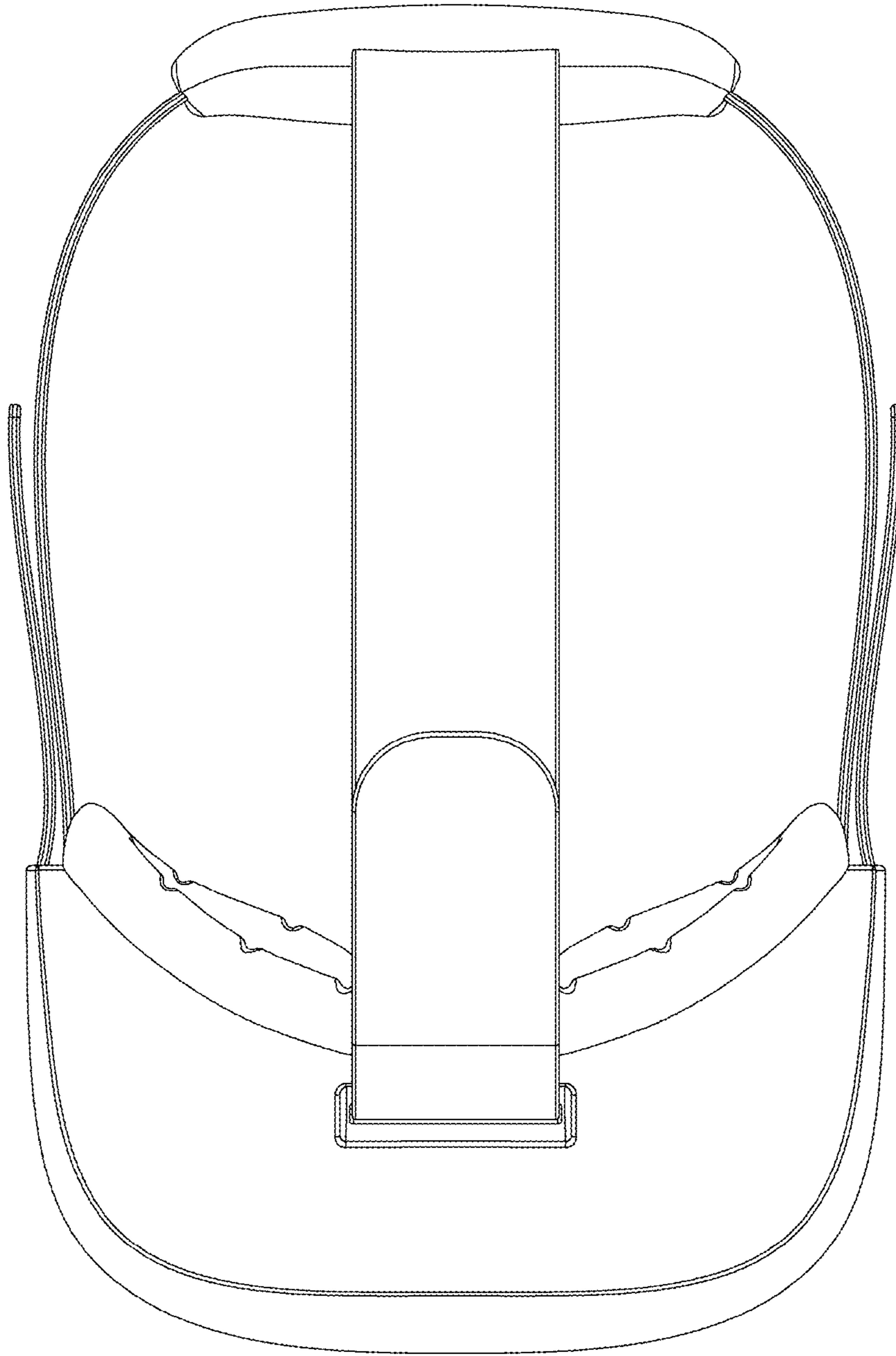


FIG. 6

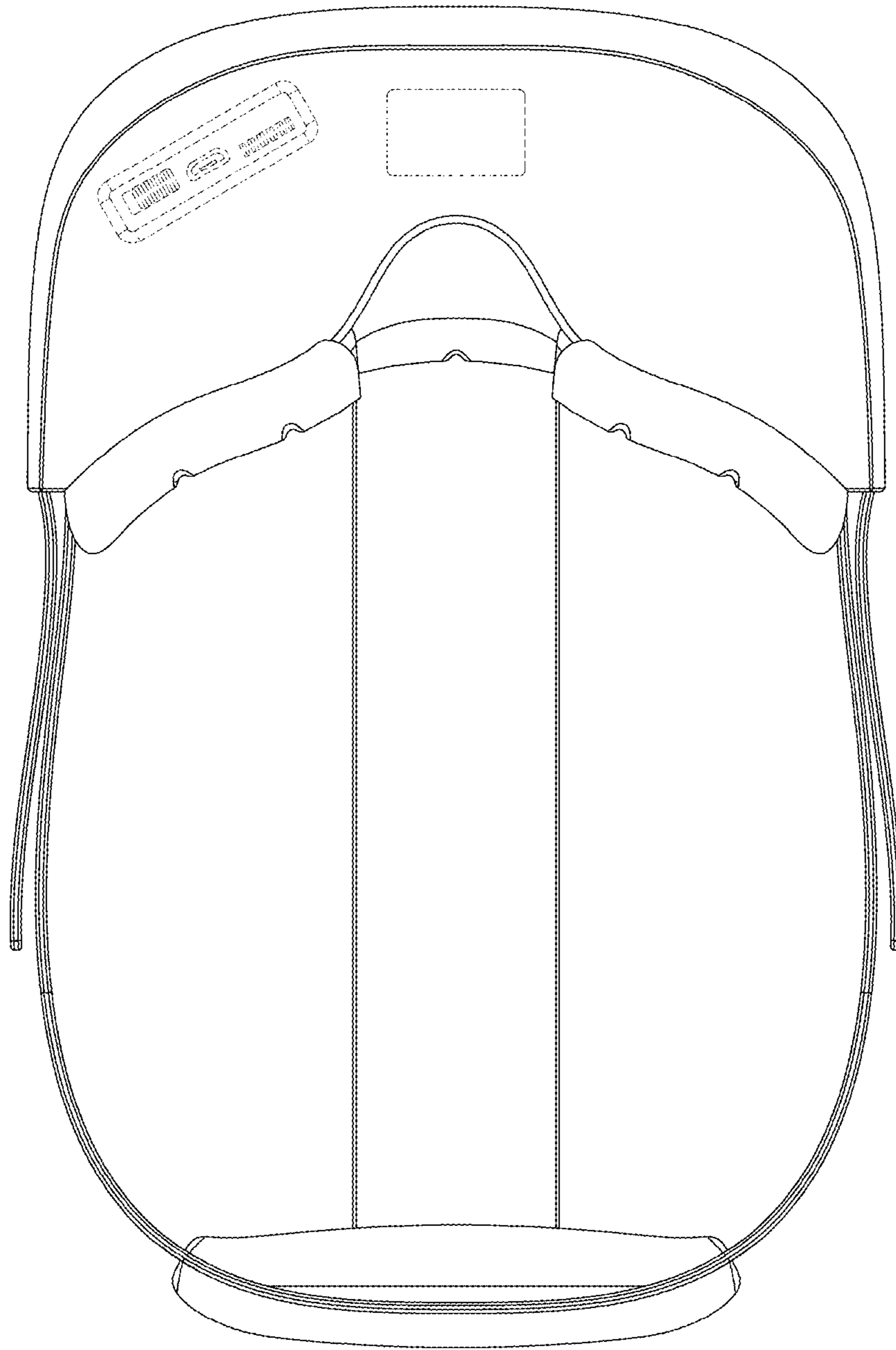


FIG. 7