



US00D827012S

(12) **United States Design Patent** (10) **Patent No.:** **US D827,012 S**
Katori (45) **Date of Patent:** **** Aug. 28, 2018**

(54) **CAMERA**
(71) Applicant: **Panasonic Intellectual Property Management Co., Ltd., Osaka (JP)**
(72) Inventor: **Takehito Katori, Kanagawa (JP)**
(73) Assignee: **Panasonic Intellectual Property Management Co., Ltd., Osaka (JP)**
(**) Term: **15 Years**
(21) Appl. No.: **29/608,330**
(22) Filed: **Jun. 21, 2017**
(51) **LOC (11) Cl.** **16-01**
(52) **U.S. Cl.**
USPC **D16/202**
(58) **Field of Classification Search**
USPC D16/200, 202–208, 210, 218, 219;
348/143, 148, 151, 373–376; 396/419,
396/427, 535–541
CPC G03B 15/03; G03B 17/02; G03B 17/04;
G03B 17/56; G03B 19/04; H04N 5/2251;
H04N 5/2252; H04N 5/2253; H04N
5/2254; H04N 2101/00
See application file for complete search history.

(56) **References Cited**
U.S. PATENT DOCUMENTS
D484,159 S 12/2003 Cheng
D528,576 S * 9/2006 Chung D16/202
D529,528 S * 10/2006 Ross, Jr. D16/200
D556,234 S 11/2007 Pena Angarita
D558,805 S 1/2008 Sadatsuki
D621,435 S * 8/2010 Green D16/202
D629,435 S * 12/2010 Barley D16/202
D631,495 S * 1/2011 Lee D16/202
D640,721 S * 6/2011 Satine D16/202

D647,937 S 11/2011 Raken et al.
D659,734 S 5/2012 Ip et al.
D694,797 S * 12/2013 Parker D16/202
D696,330 S 12/2013 Matsumoto et al.
D709,118 S * 7/2014 Yu D16/203
D727,389 S * 4/2015 Schmidt D16/218
D727,390 S * 4/2015 Schmidt D16/218
D727,391 S * 4/2015 Schmidt D16/218
D753,751 S 4/2016 Moller-Lewin et al.
D778,338 S 2/2017 Muhlenkamp, IV et al.
D809,046 S * 1/2018 Hatcher D16/202
2007/0223915 A1* 9/2007 Yi G03B 17/02
396/535

* cited by examiner
Primary Examiner — Philip S Hyder
Assistant Examiner — Ramzi S Almatrahi
(74) *Attorney, Agent, or Firm* — Panasonic IP Management; Kerry S. Culpepper

(57) **CLAIM**
I claim the ornamental design for a camera, as shown and described.

DESCRIPTION
FIG. 1 is a top, front and left side perspective view of a camera of the present invention;
FIG. 2 is a bottom, front and right side perspective view thereof;
FIG. 3 is a front view thereof;
FIG. 4 is a rear view thereof;
FIG. 5 is a left side view thereof;
FIG. 6 is a right side view thereof;
FIG. 7 is a top view thereof; and,
FIG. 8 is a bottom view thereof.
The broken lines depict portions of the camera in which the design is embodied that form no part of the claimed design.

1 Claim, 8 Drawing Sheets

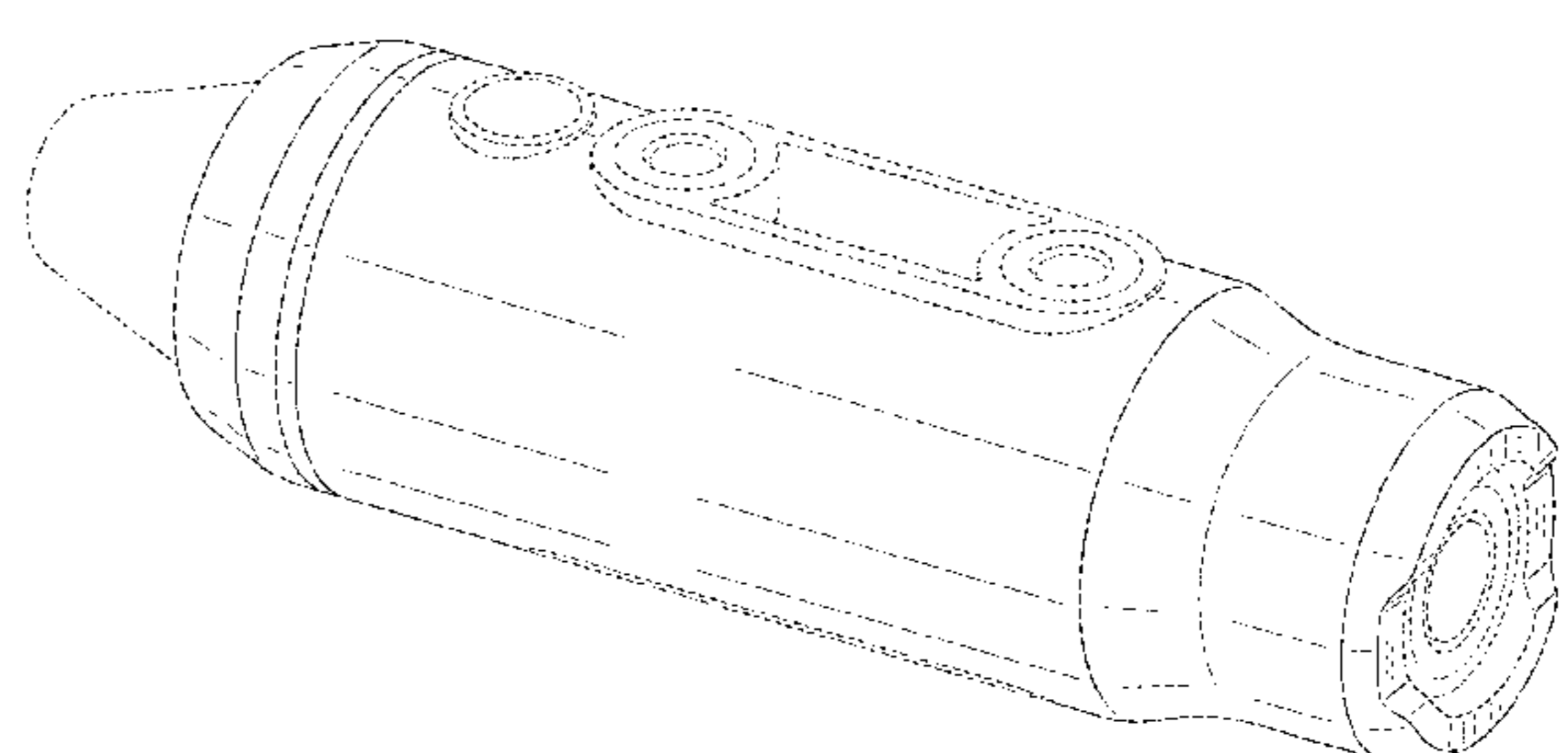
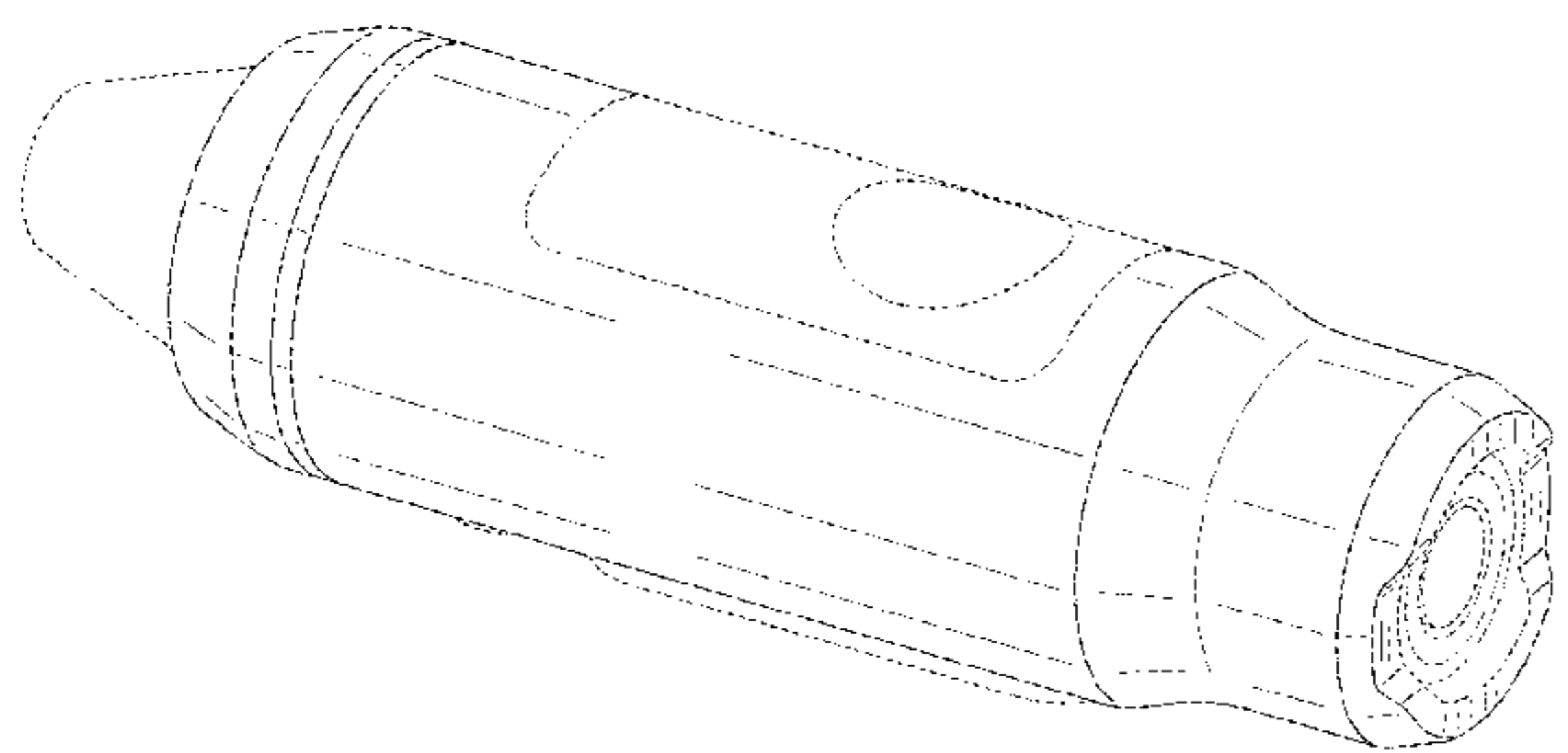


FIG. 1

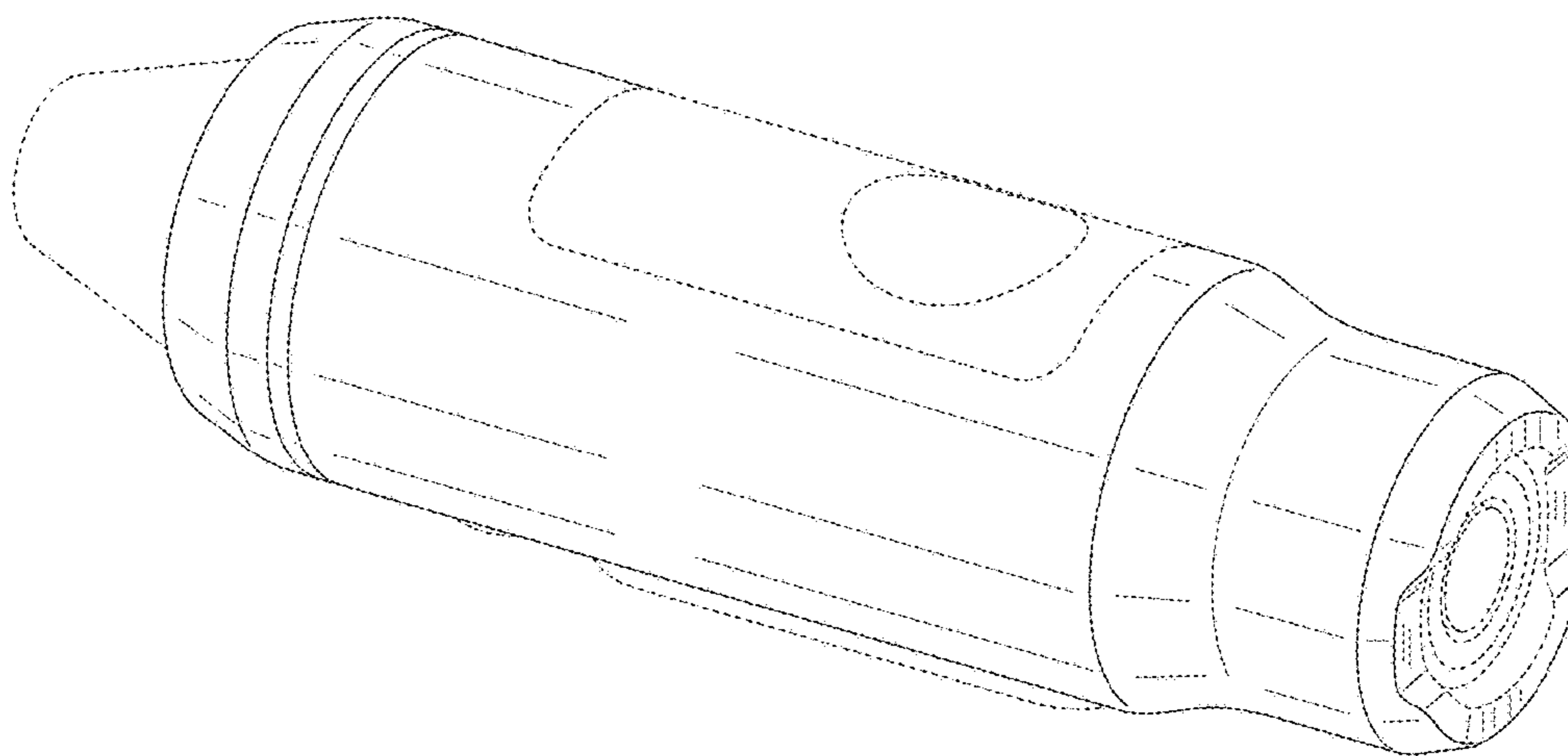


FIG. 2

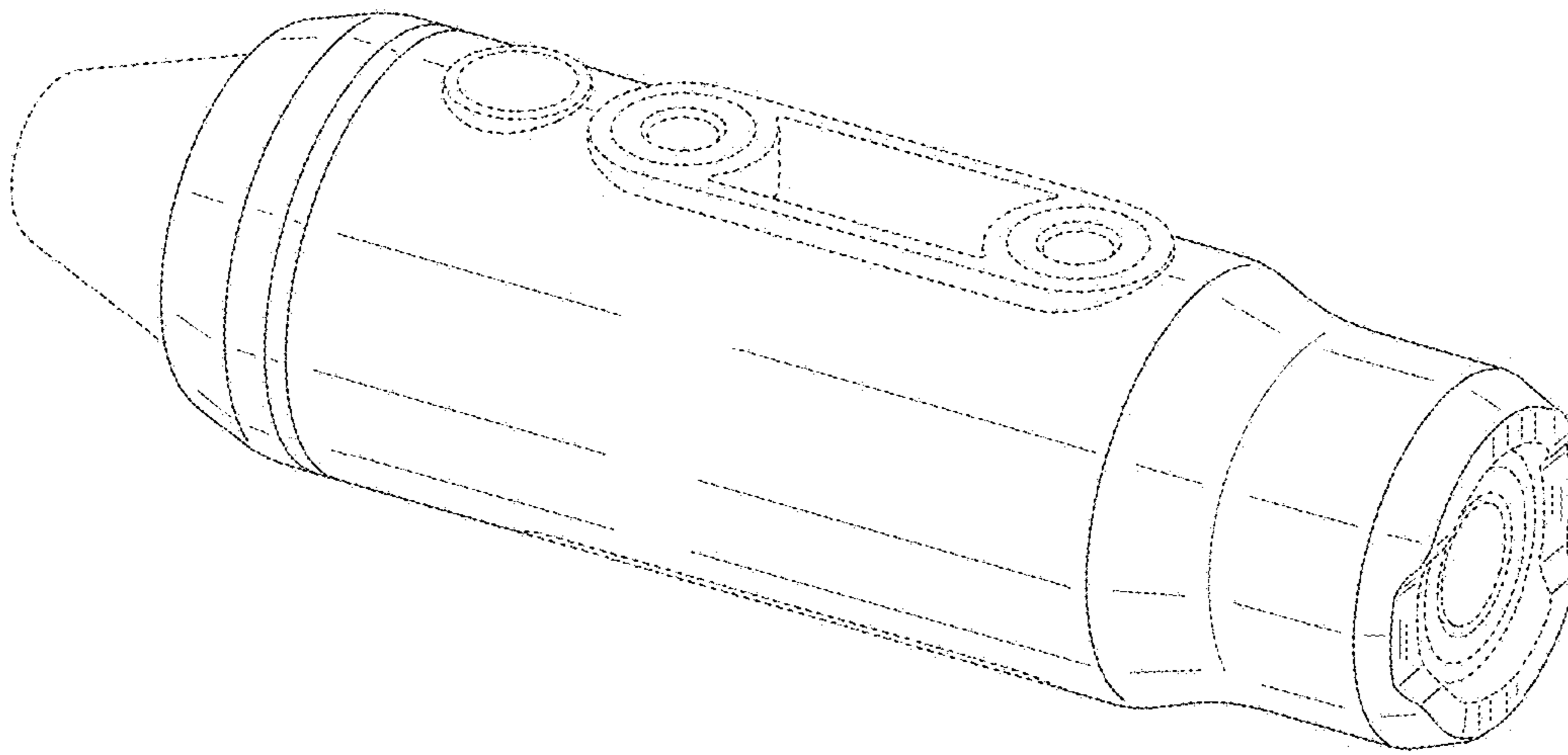


FIG. 3

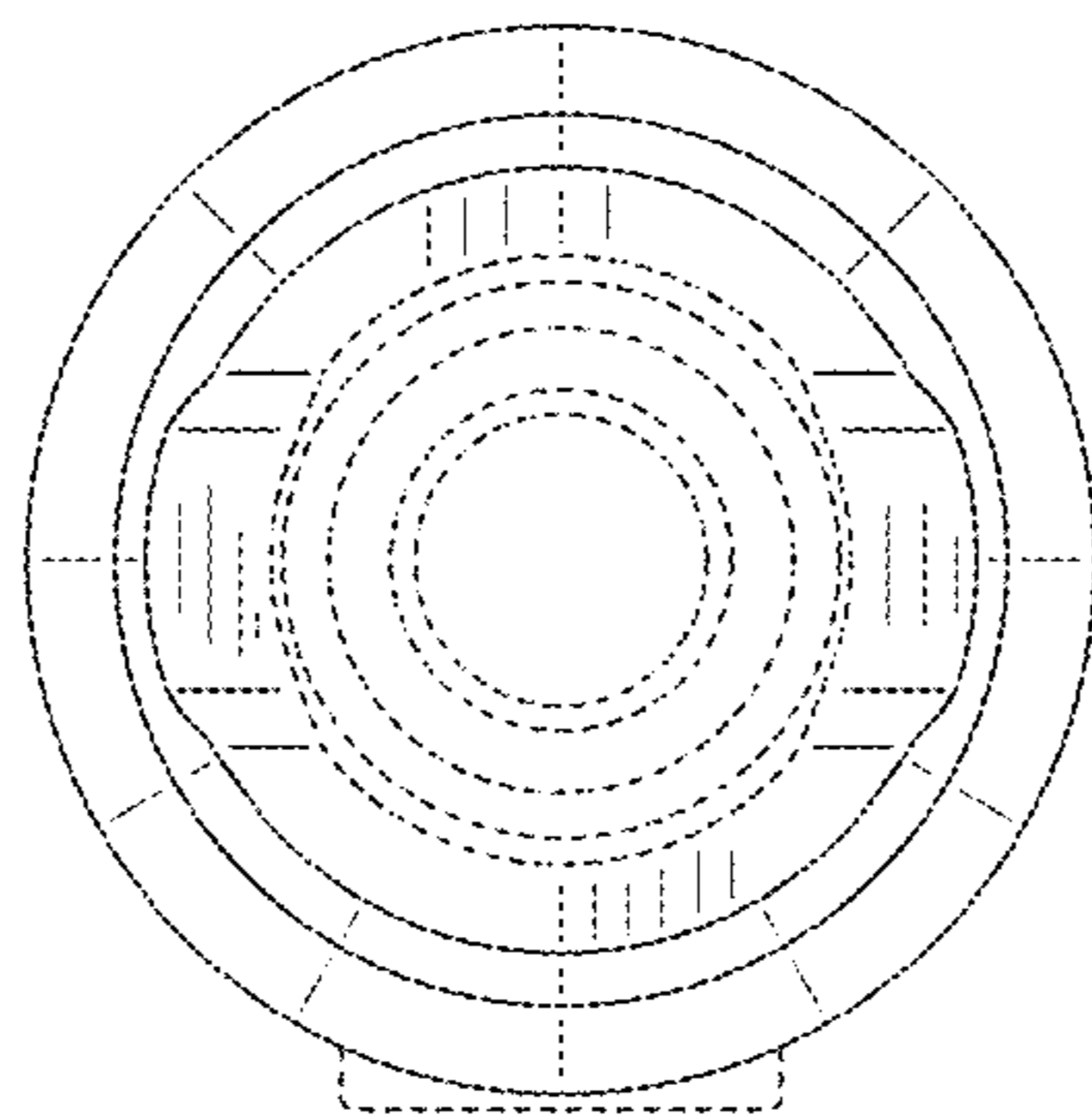


FIG. 4

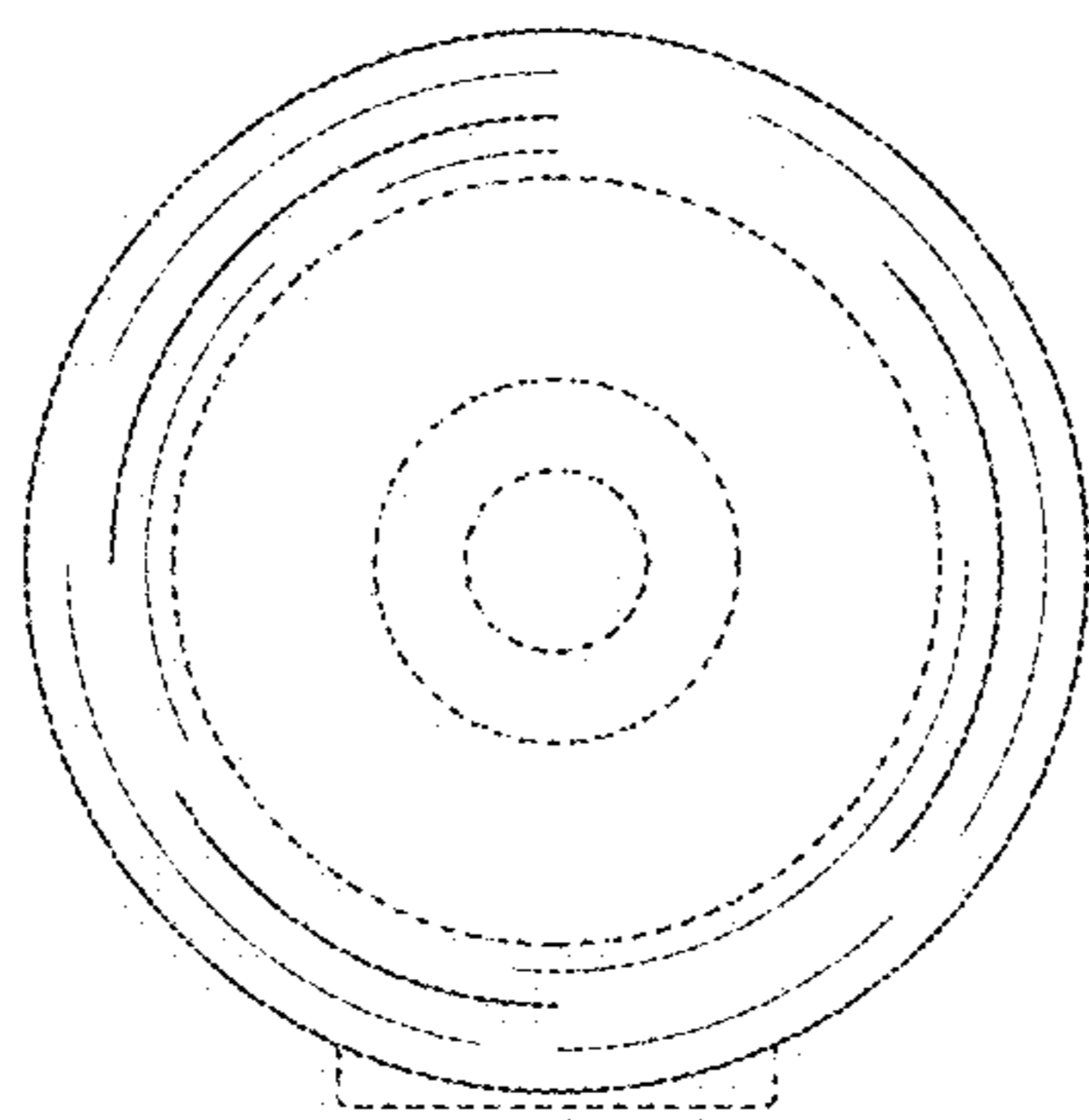


FIG. 5

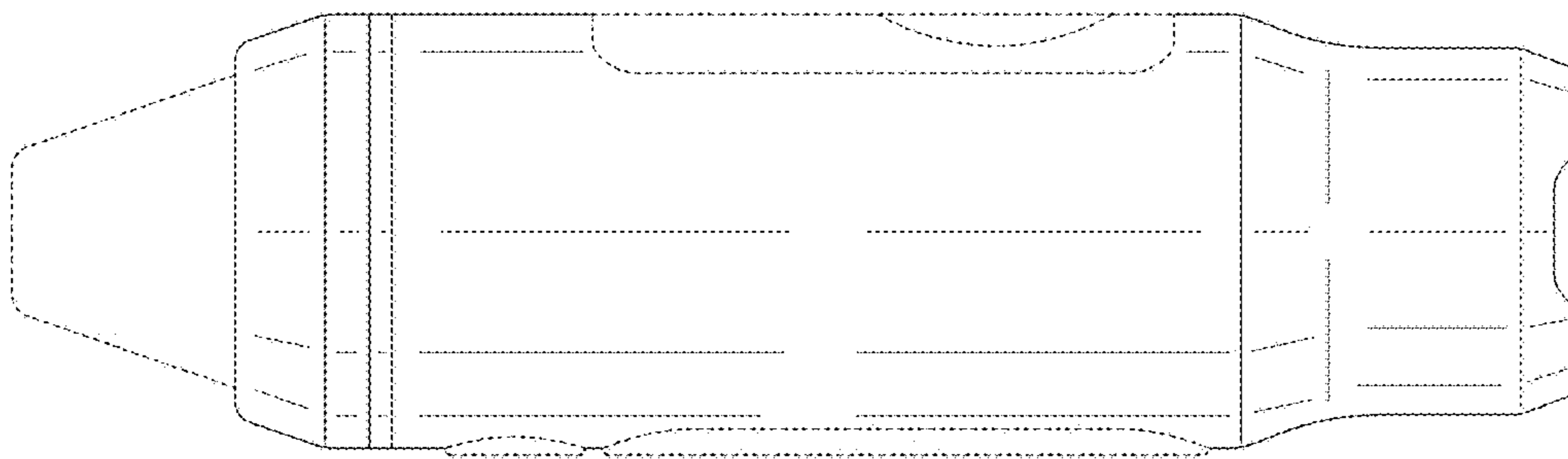


FIG. 6

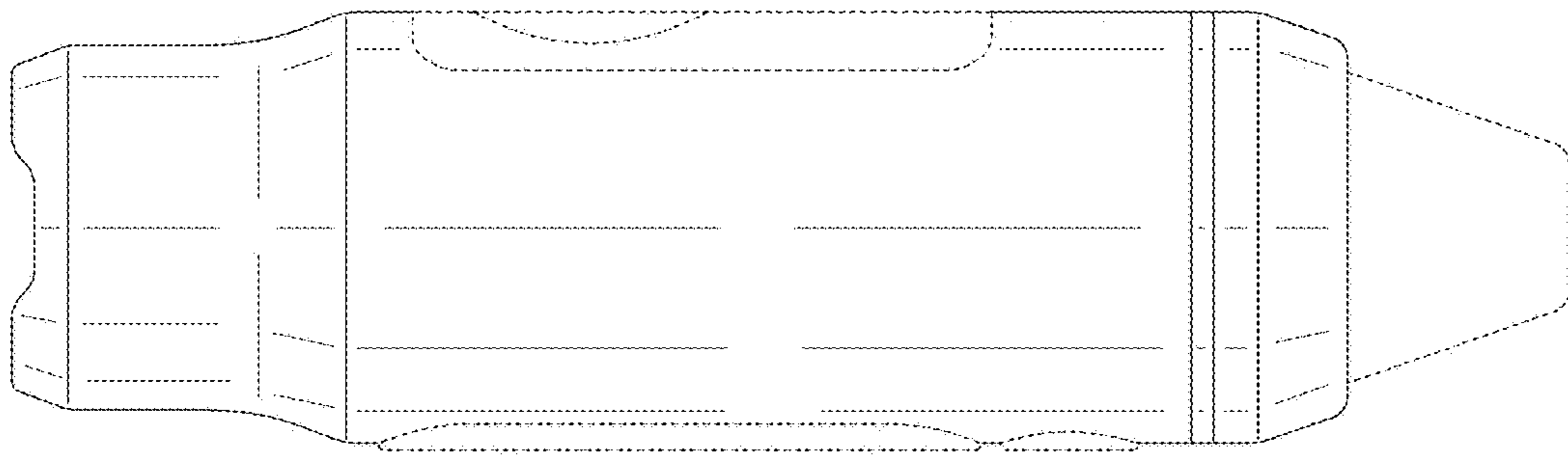


FIG. 7

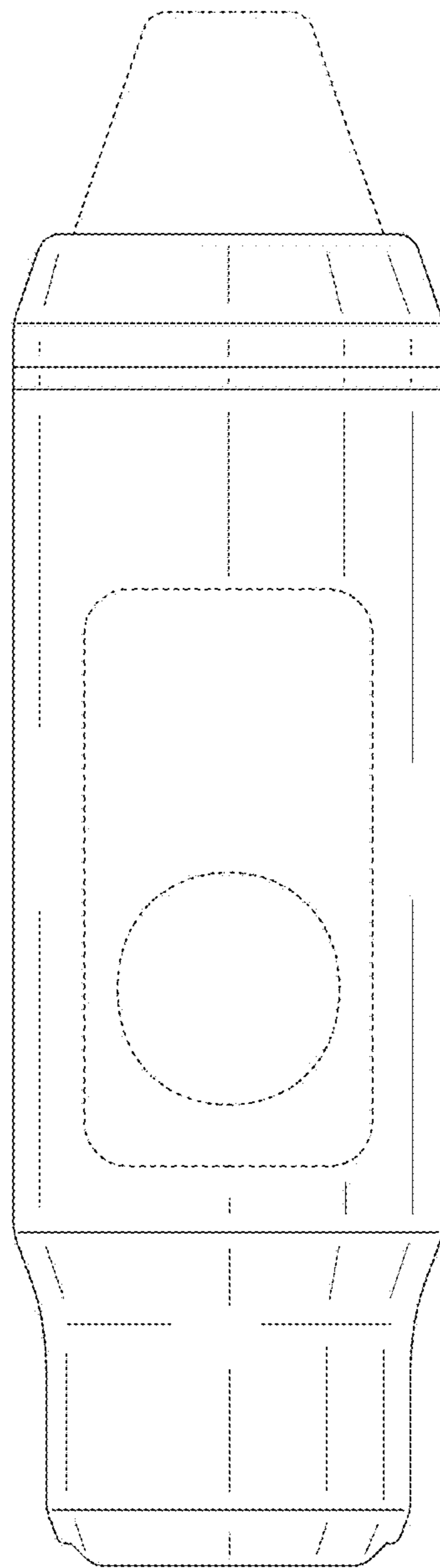


FIG. 8

