



US00D827011S

(12) **United States Design Patent**
Kip et al.

(10) **Patent No.:** **US D827,011 S**

(45) **Date of Patent:** **** Aug. 28, 2018**

(54) **VIDEO CAMERA**

(71) Applicant: **LOGITECH EUROPE S.A.**, Lausanne (CH)

(72) Inventors: **Timucin Kip**, Palo Alto, CA (US);
Aron Michael Rosenberg, Berkeley, CA (US); **Andrew Gartrell**, Lausanne (CH)

(73) Assignee: **Logitech Europe S.A.**, Lausanne (CH)

(**) Term: **15 Years**

(21) Appl. No.: **29/589,156**

(22) Filed: **Dec. 28, 2016**

(51) **LOC (11) Cl.** **16-01**

(52) **U.S. Cl.**
USPC **D16/202**

(58) **Field of Classification Search**
USPC D16/200, 202–206, 208–209, 218, 219;
348/373–376; 396/535, 539–541
CPC G03B 15/03; G03B 17/02; G03B 17/04;
G03B 17/56; G03B 19/04; H04N 5/2251;
H04N 5/2252; H04N 5/2253; H04N
5/2254; H04N 2101/00
See application file for complete search history.

(56) **References Cited**

U.S. PATENT DOCUMENTS

D455,767 S *	4/2002	Tsang	D16/202
D563,446 S *	3/2008	Stephens	D16/202
D639,842 S *	6/2011	Zeinoun	D16/203
D677,297 S *	3/2013	Bart	D16/203
D729,859 S *	5/2015	Shin	D16/203
9,071,740 B1 *	6/2015	Duffy	H04N 5/2252
D743,465 S *	11/2015	Aglassinger	D16/203
D745,916 S *	12/2015	Oh	D16/134
D748,178 S *	1/2016	Scalisi	D10/118.2
D748,179 S *	1/2016	Scalisi	D10/118.2
D752,674 S *	3/2016	Katori	D16/203

(Continued)

Primary Examiner — Philip S Hyder
Assistant Examiner — Ramzi Almatrahi

(74) *Attorney, Agent, or Firm* — Kilpatrick Townsend & Stockton LLP

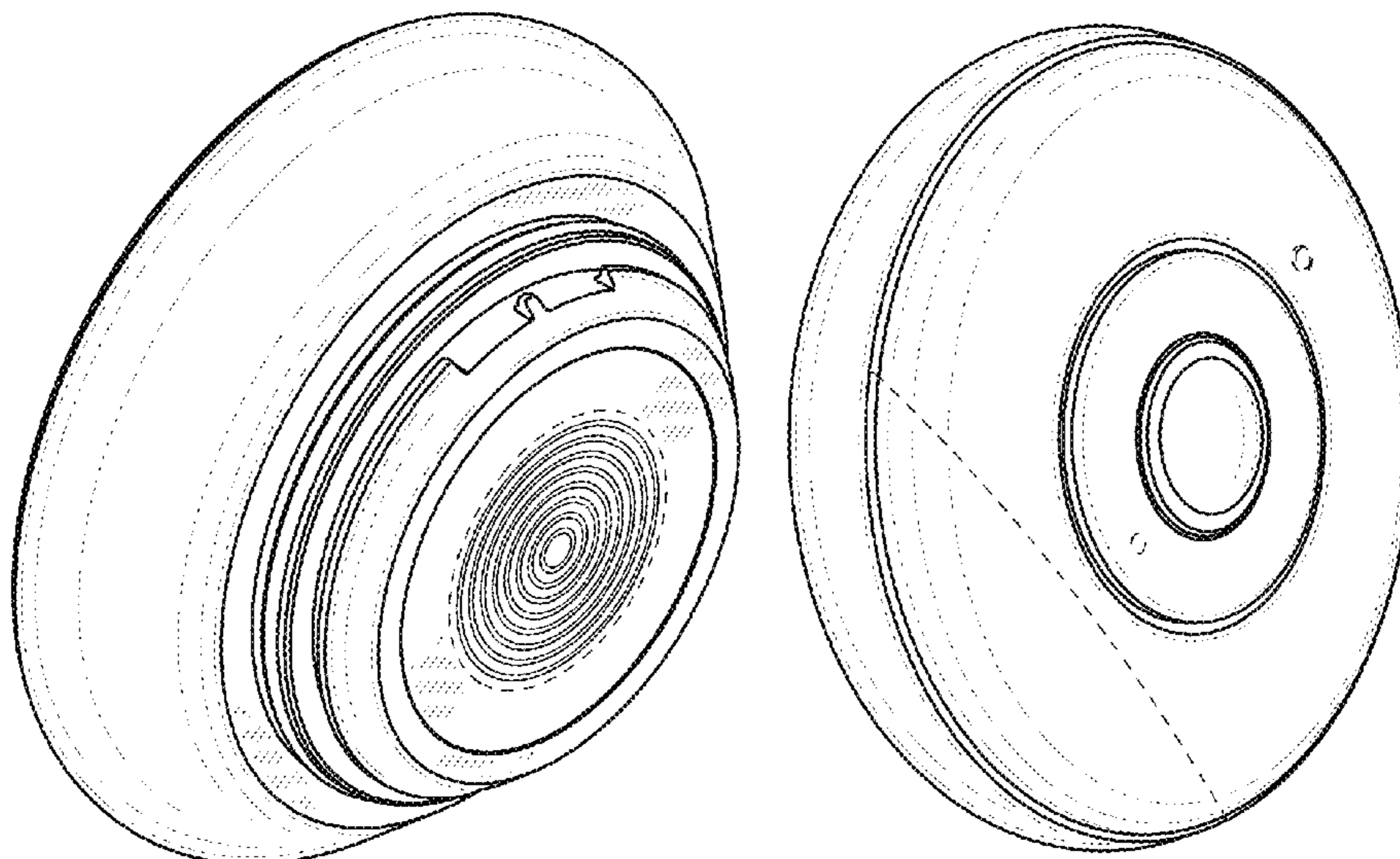
(57) **CLAIM**

The ornamental design for the video camera, as shown and described.

DESCRIPTION

FIG. 1 is a top perspective view of a video camera showing our new design;
FIG. 2 is bottom perspective view of thereof;
FIG. 3 is a top plan view thereof;
FIG. 4 is a bottom plan view thereof;
FIG. 5 is a front elevation view thereof;
FIG. 6 is a rear elevation view thereof;
FIG. 7 is a left side elevation view thereof; and
FIG. 8 is a right side elevation view thereof.
FIG. 9 is a top perspective view of a video camera with a covering, showing our new design;
FIG. 10 is a top plan view thereof;
FIG. 11 is a bottom plan view thereof;
FIG. 12 is a front elevation view thereof;
FIG. 13 is a rear elevation view thereof;
FIG. 14 is a left side elevation view thereof; and
FIG. 15 is a right side elevation view thereof.
FIG. 16 is a top perspective view of a covering for a video camera, showing our new design;
FIG. 17 is a top plan view thereof;
FIG. 18 is a bottom plan view thereof;
FIG. 19 is a front elevation view thereof;
FIG. 20 is a rear elevation view thereof;
FIG. 21 is a left side elevation view thereof; and,
FIG. 22 is a right side elevation view thereof.
Broken lines shown in the drawings form no part of the claimed design.

1 Claim, 12 Drawing Sheets



(56)

References Cited

U.S. PATENT DOCUMENTS

D758,470 S * 6/2016 Kircher D16/215
D776,180 S * 1/2017 Fiedler D16/202

* cited by examiner

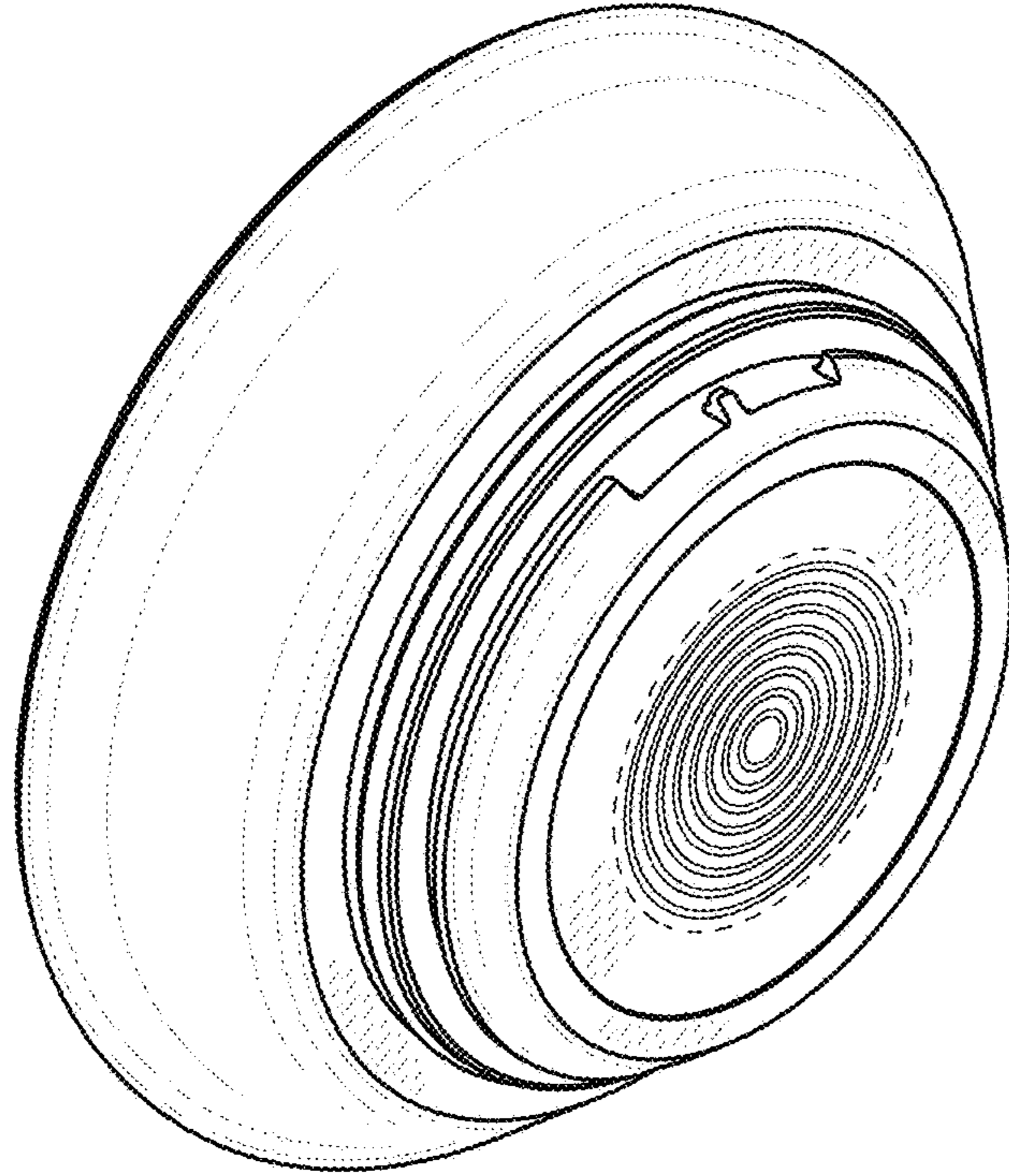


FIG. 1

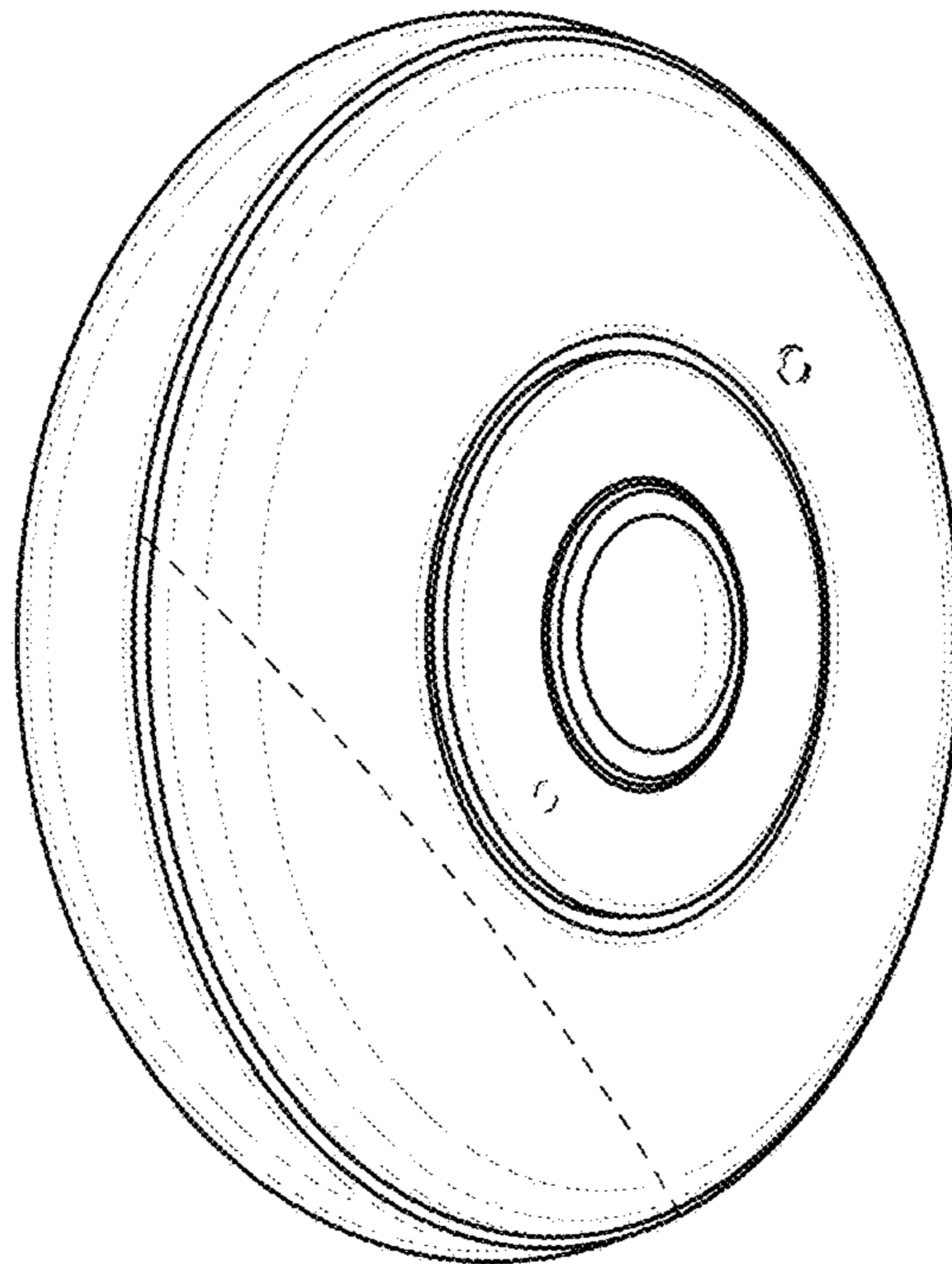


FIG. 2

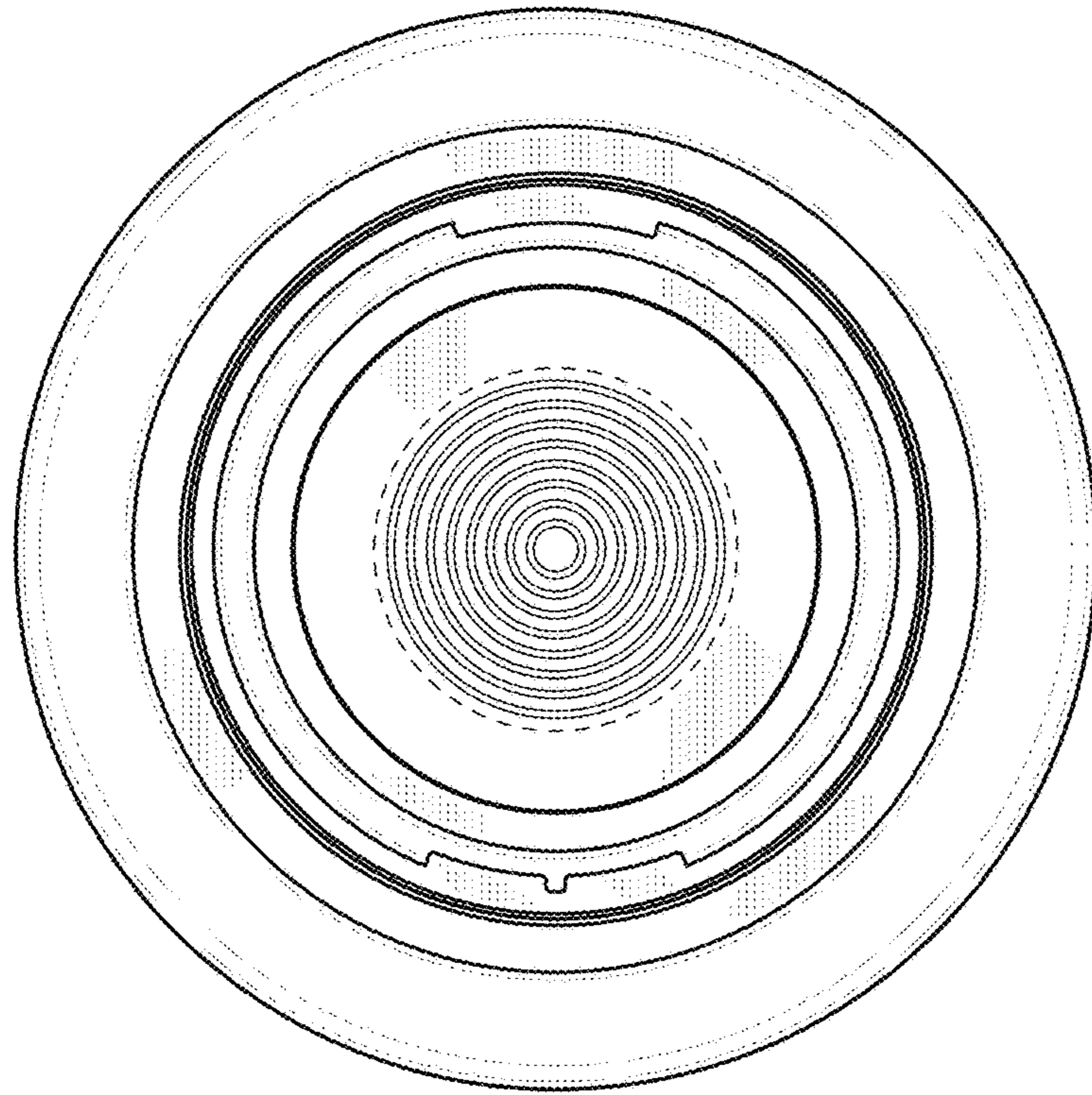


FIG. 3

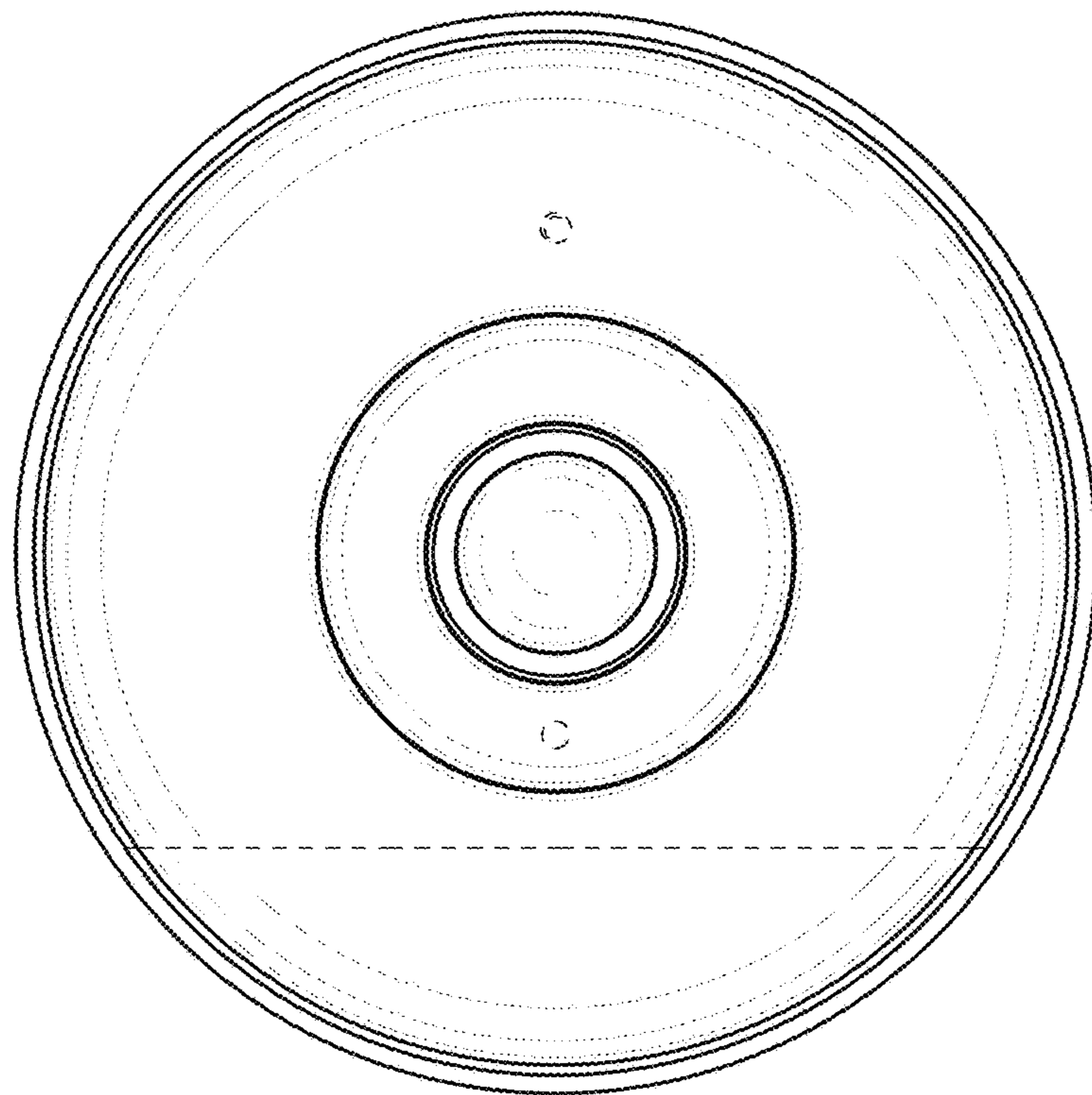


FIG. 4

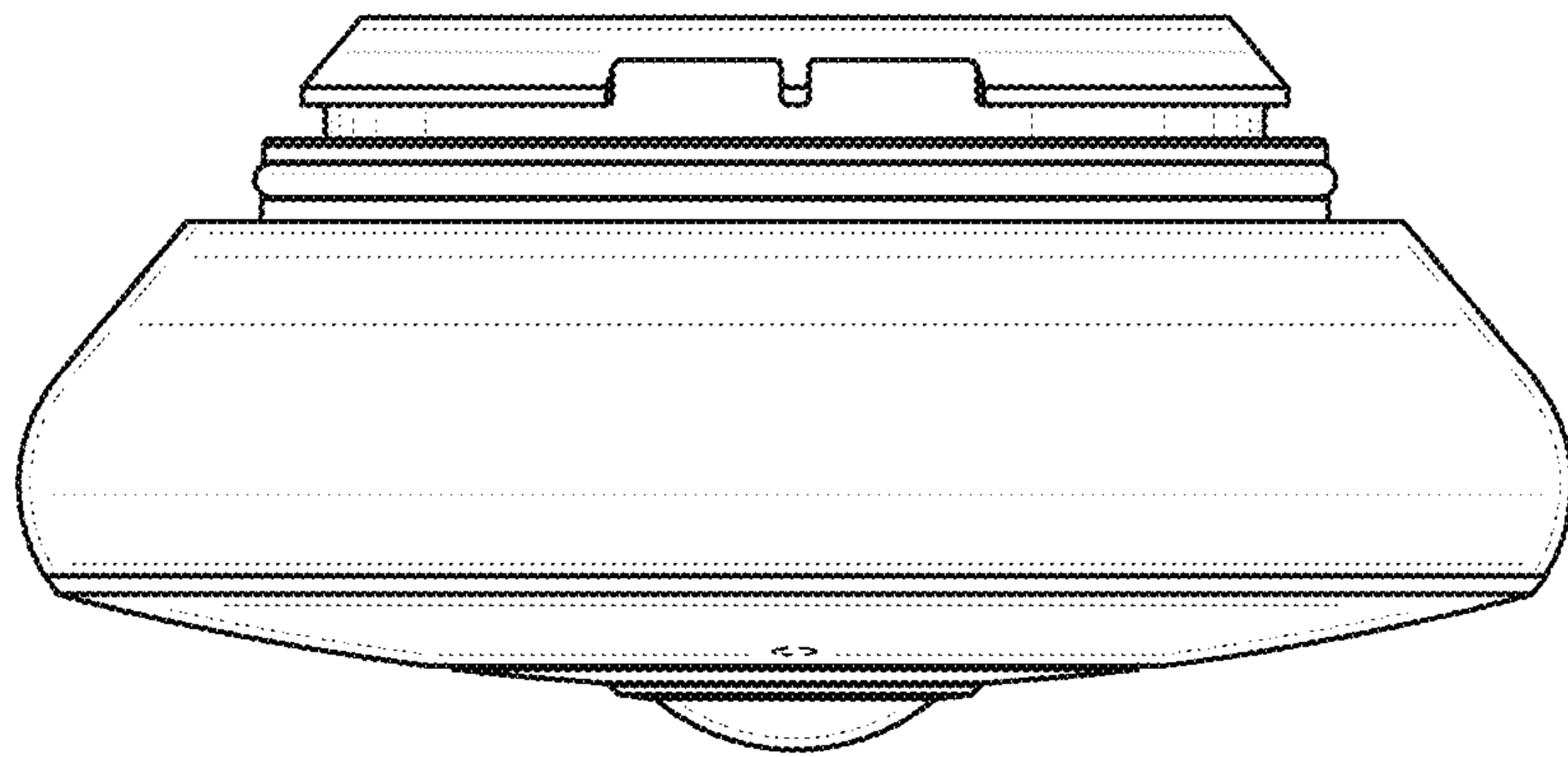


FIG. 5

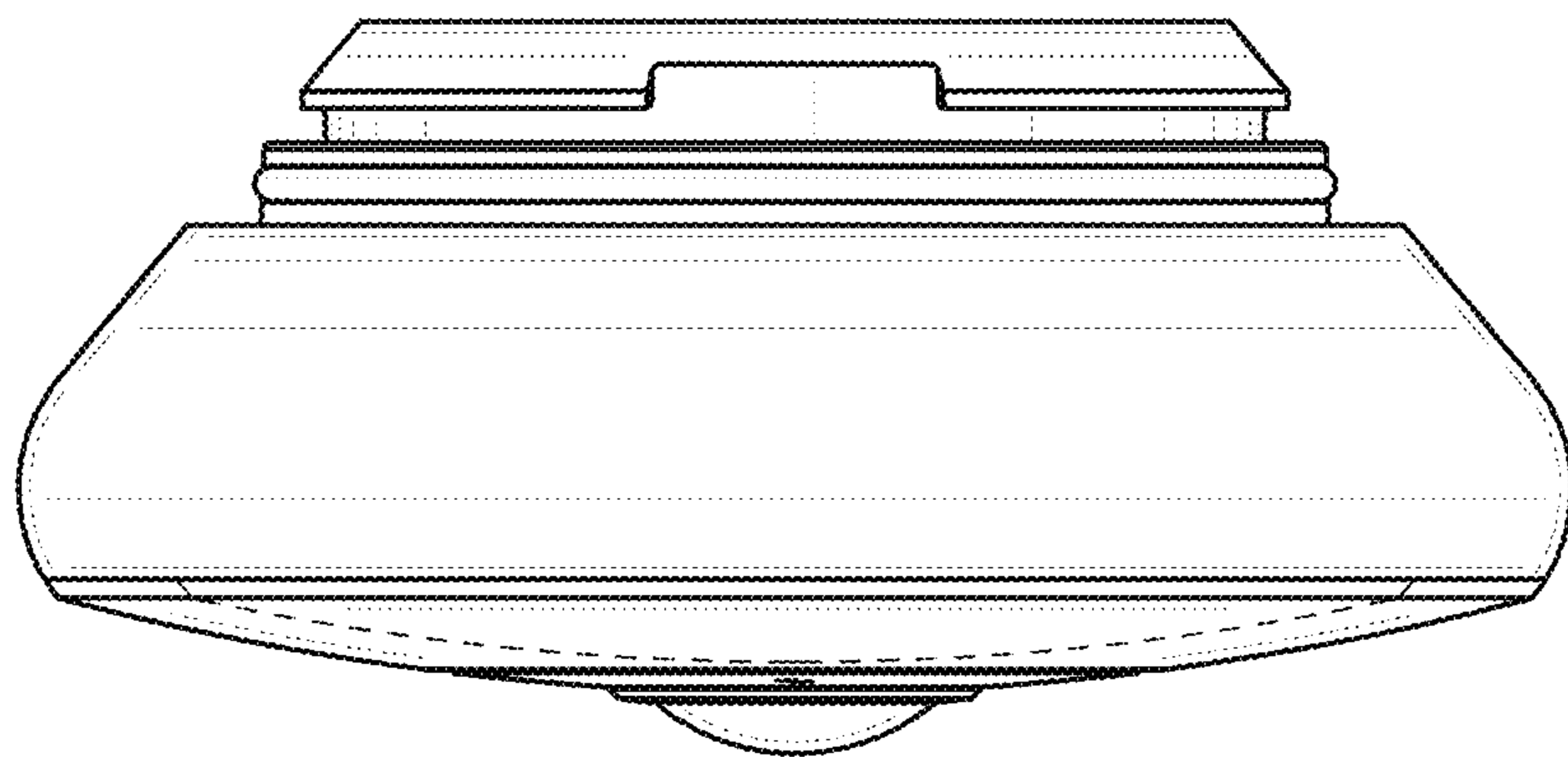


FIG. 6

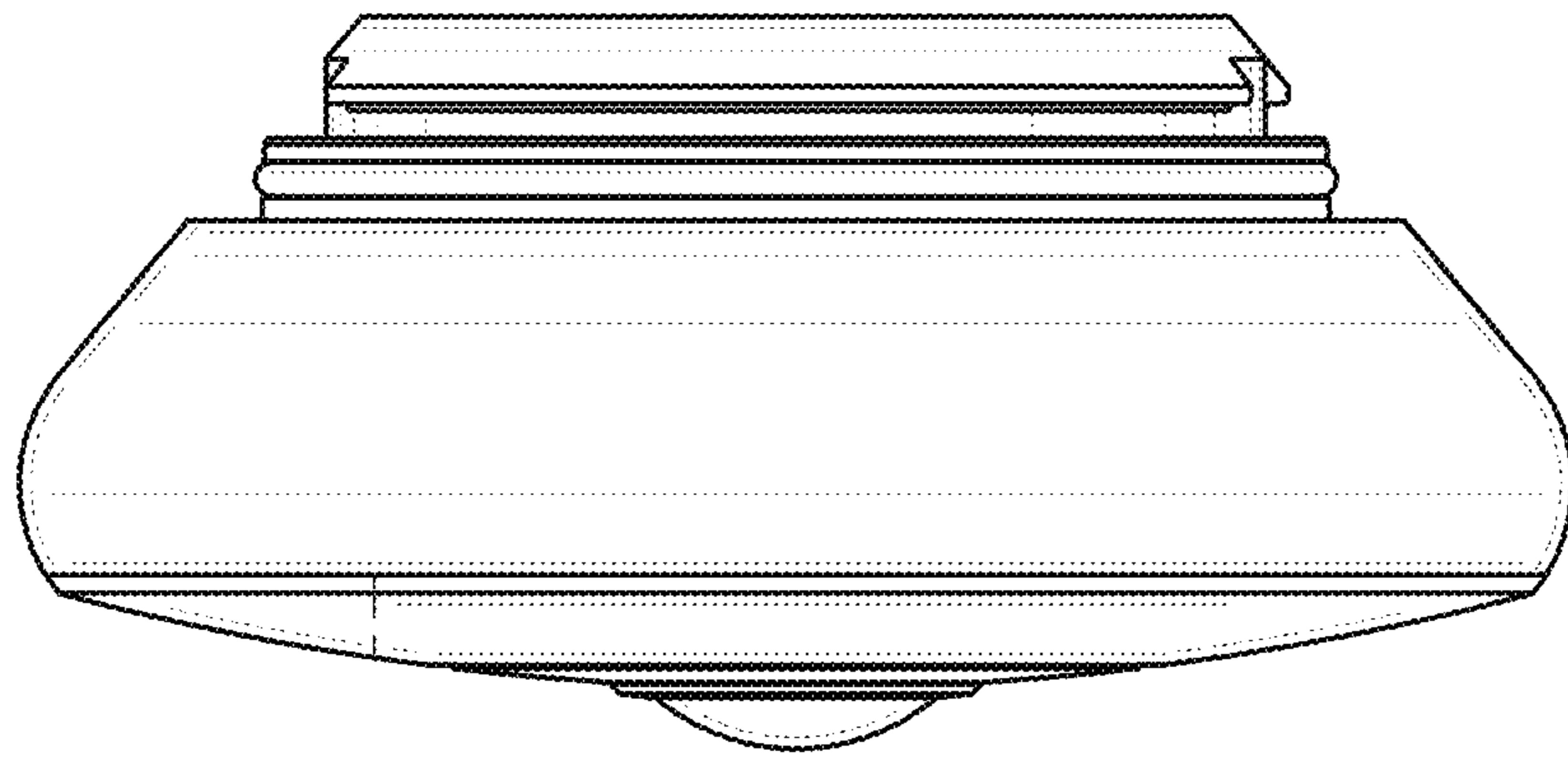


FIG. 7

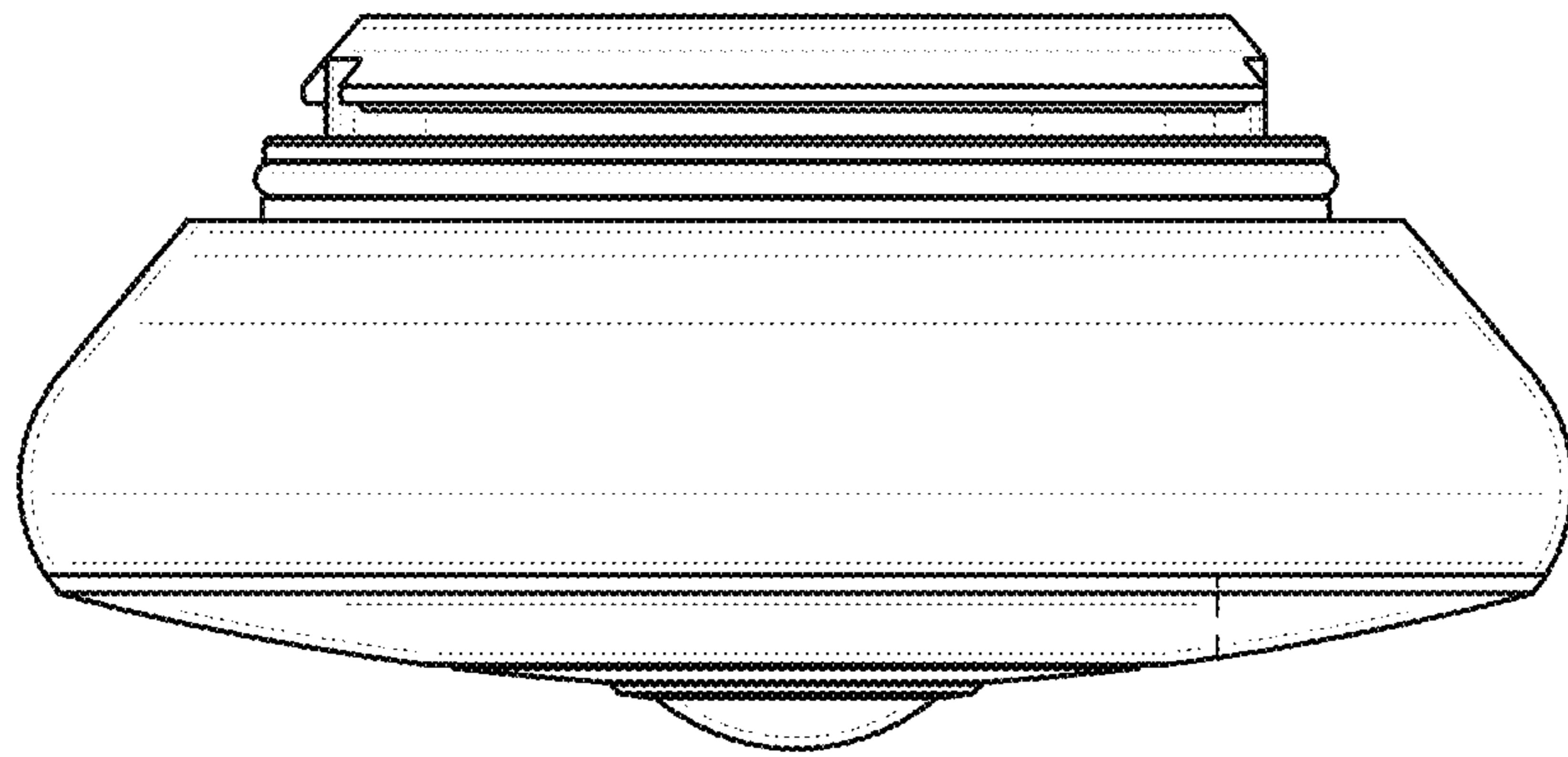


FIG. 8

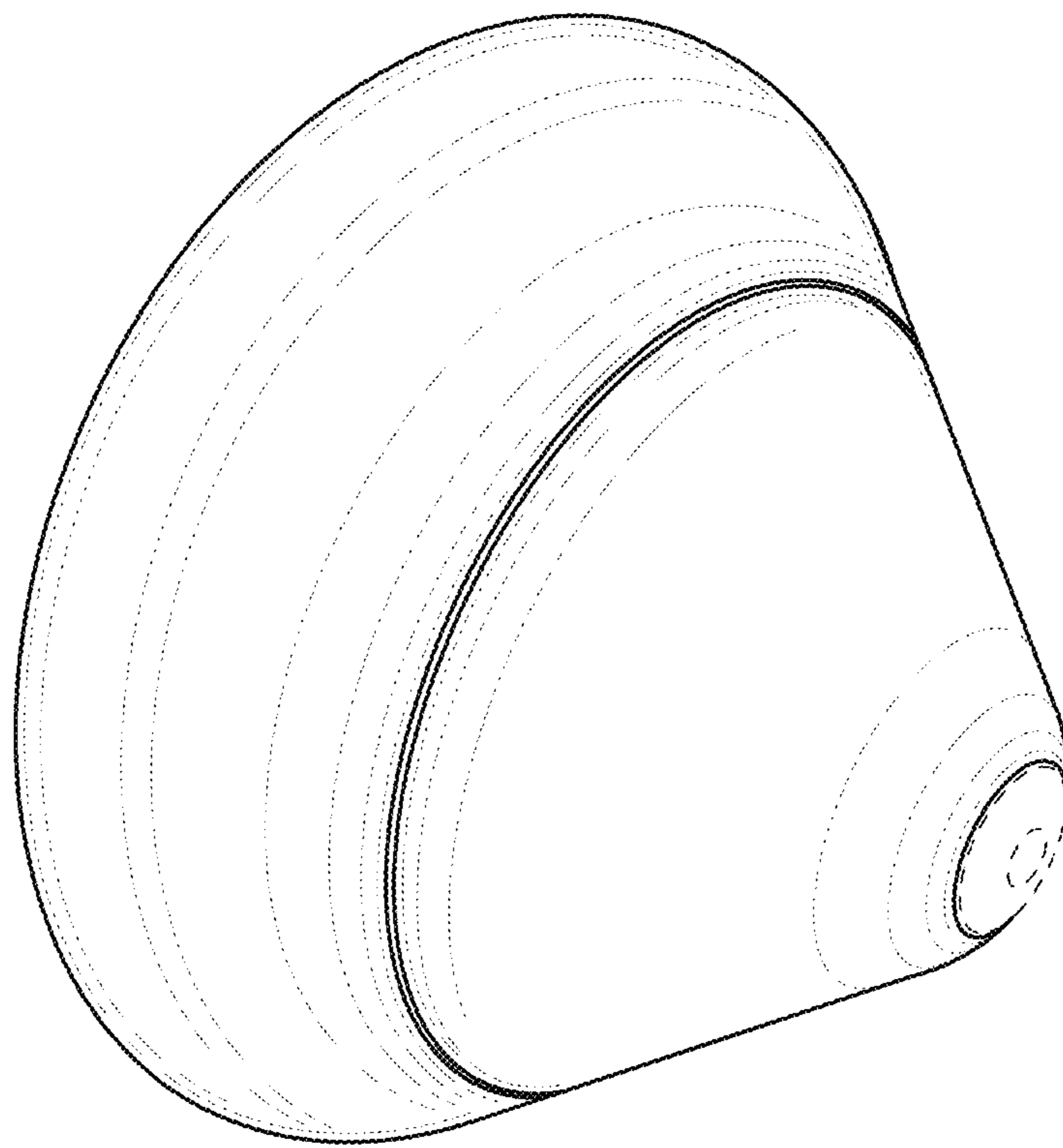


FIG. 9

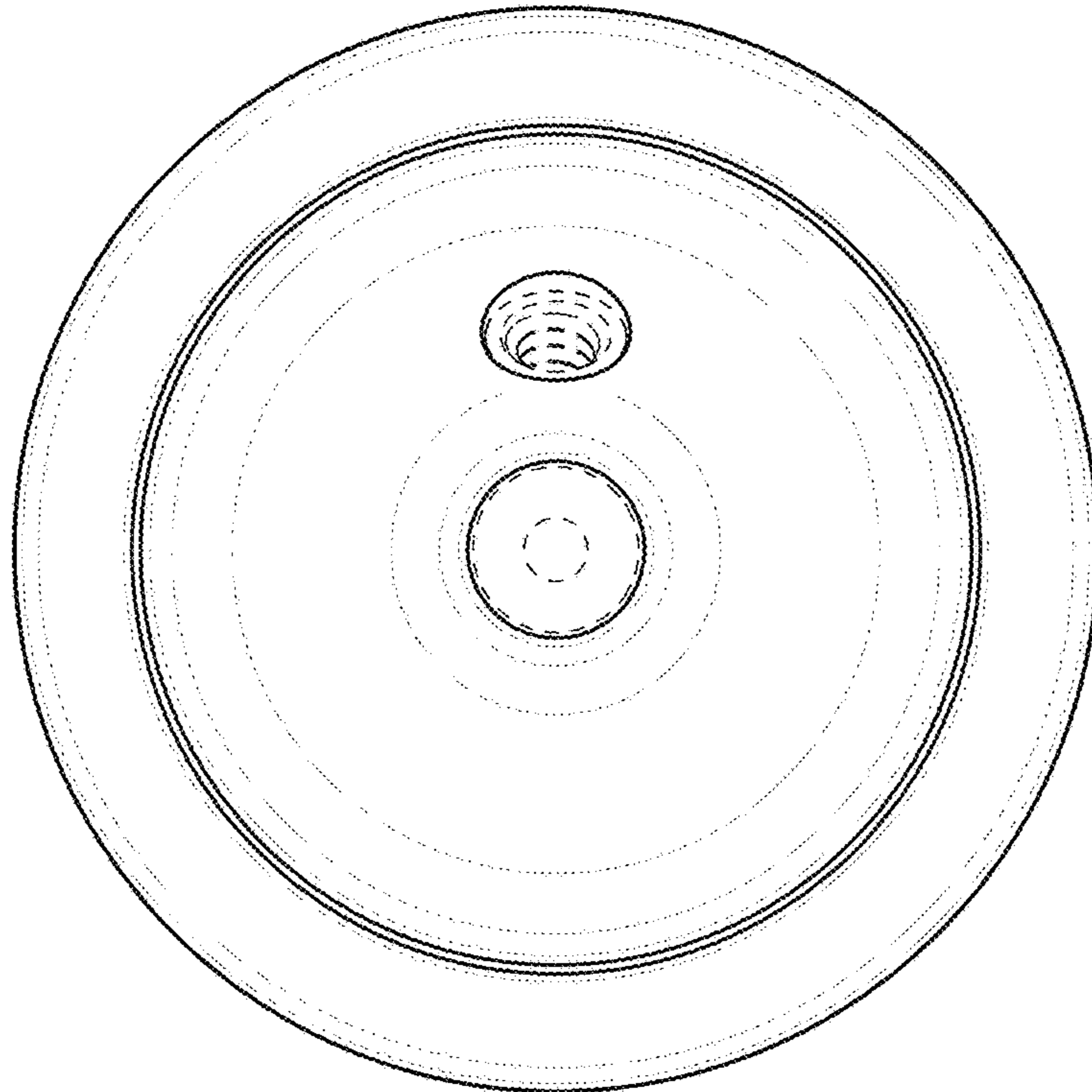


FIG. 10

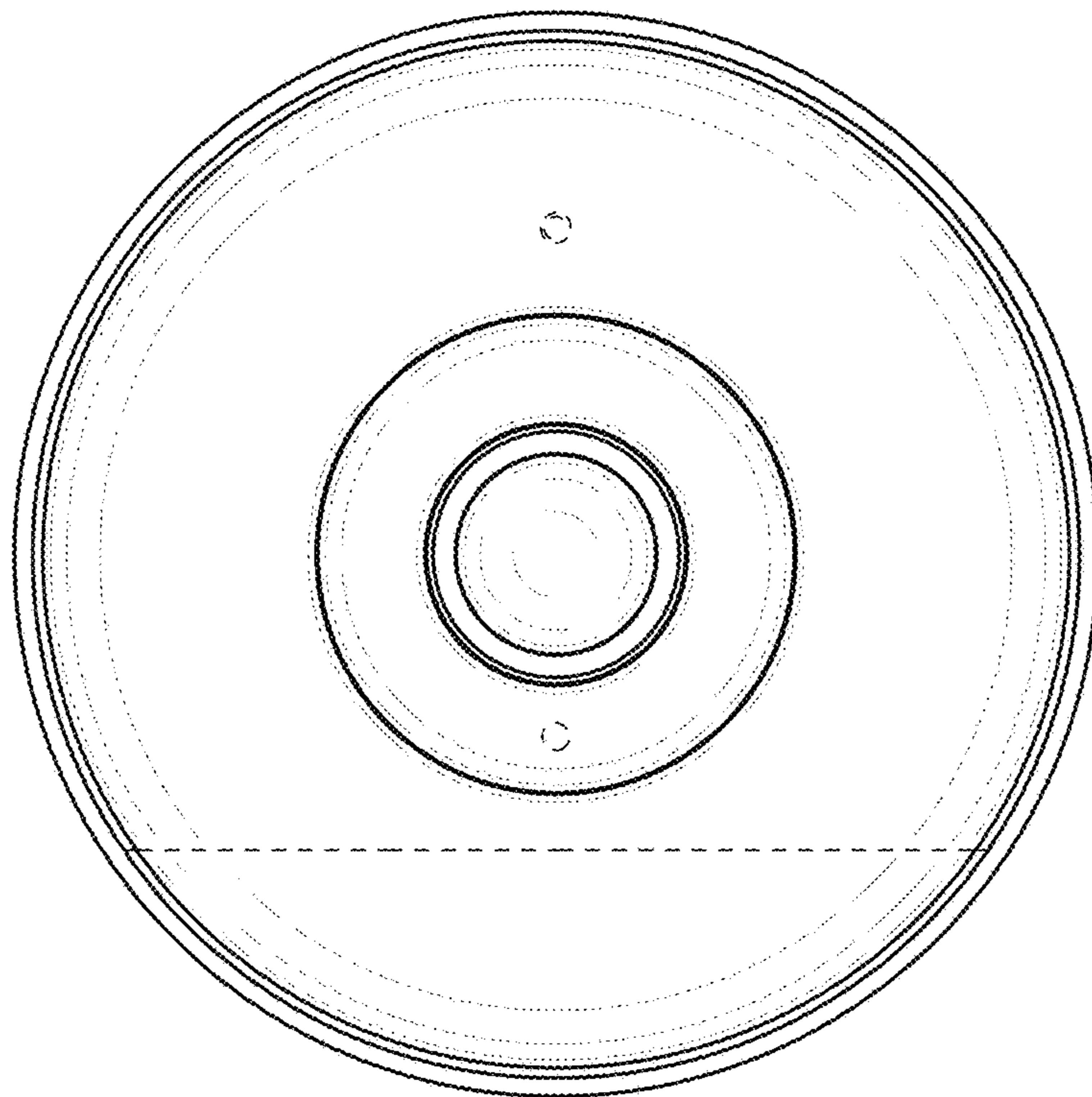


FIG. 11

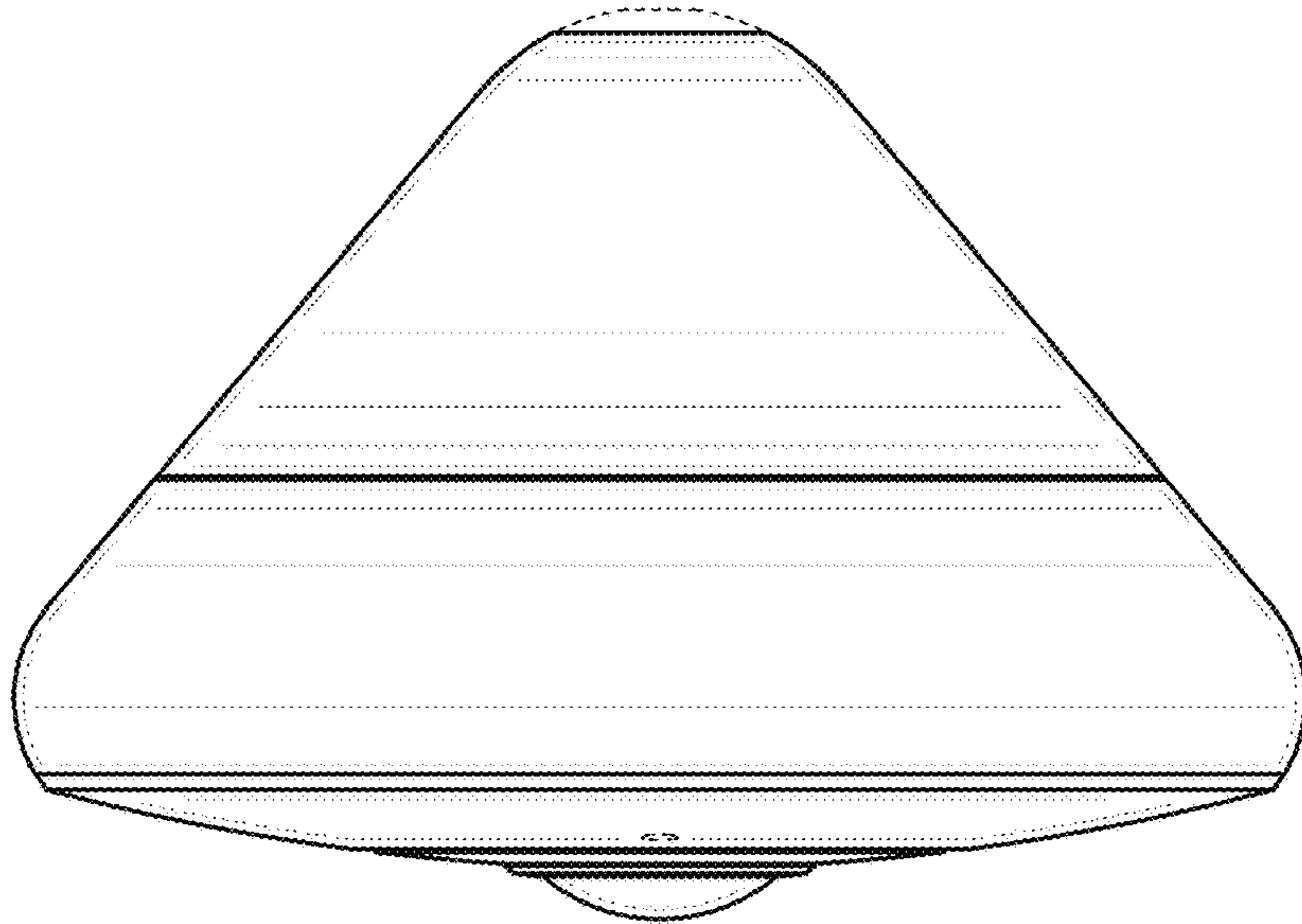


FIG. 12

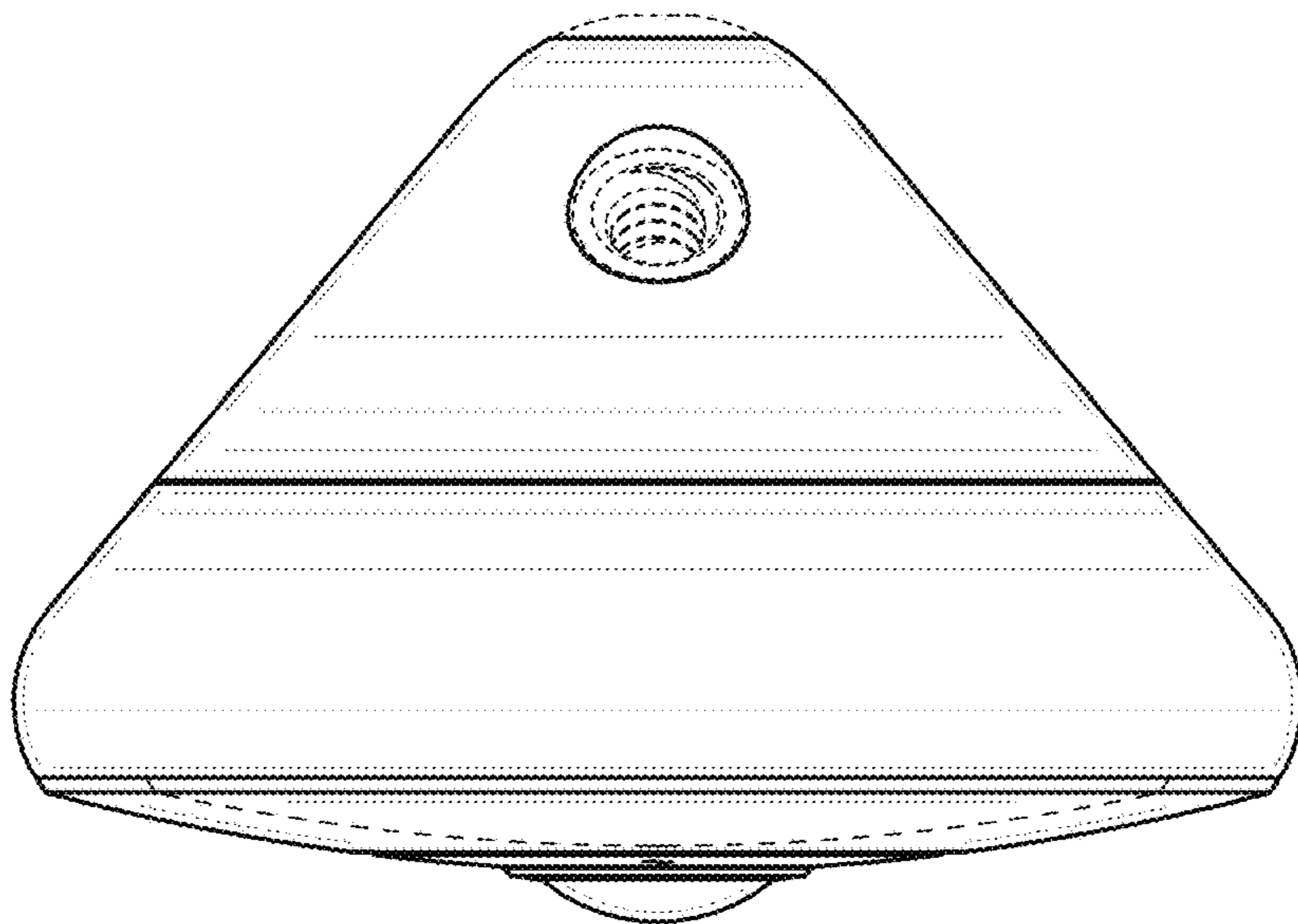


FIG. 13

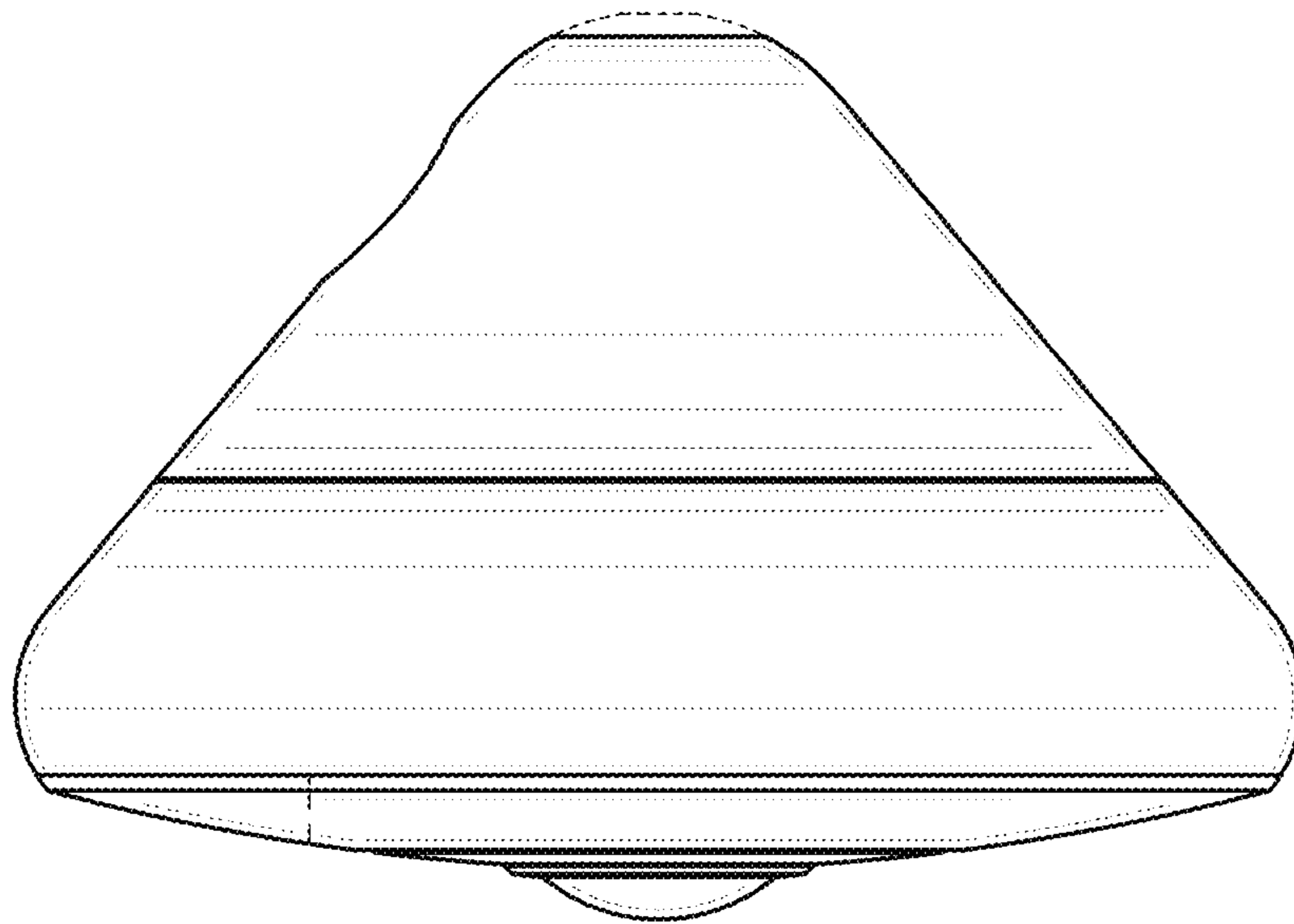


FIG. 14

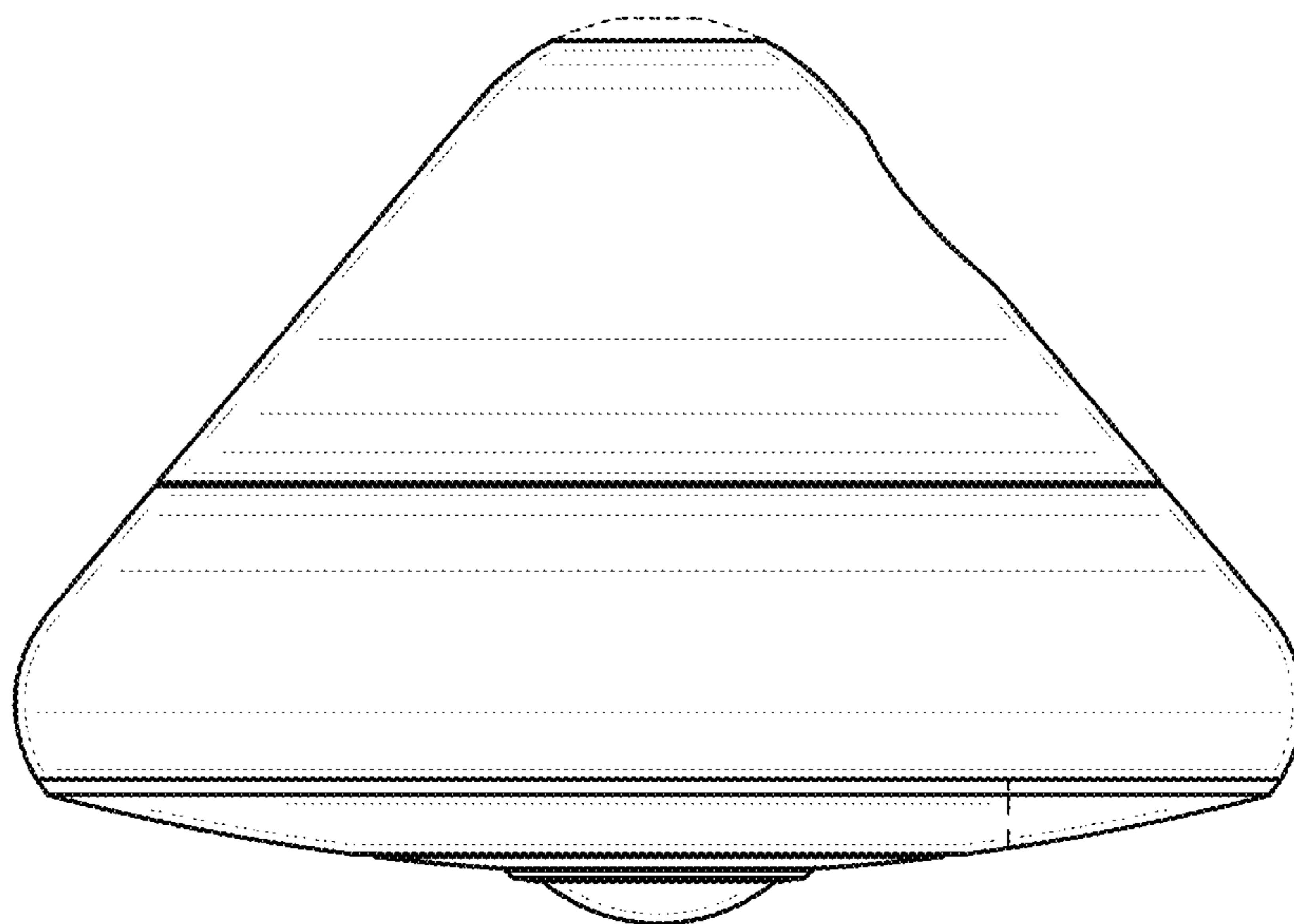


FIG. 15

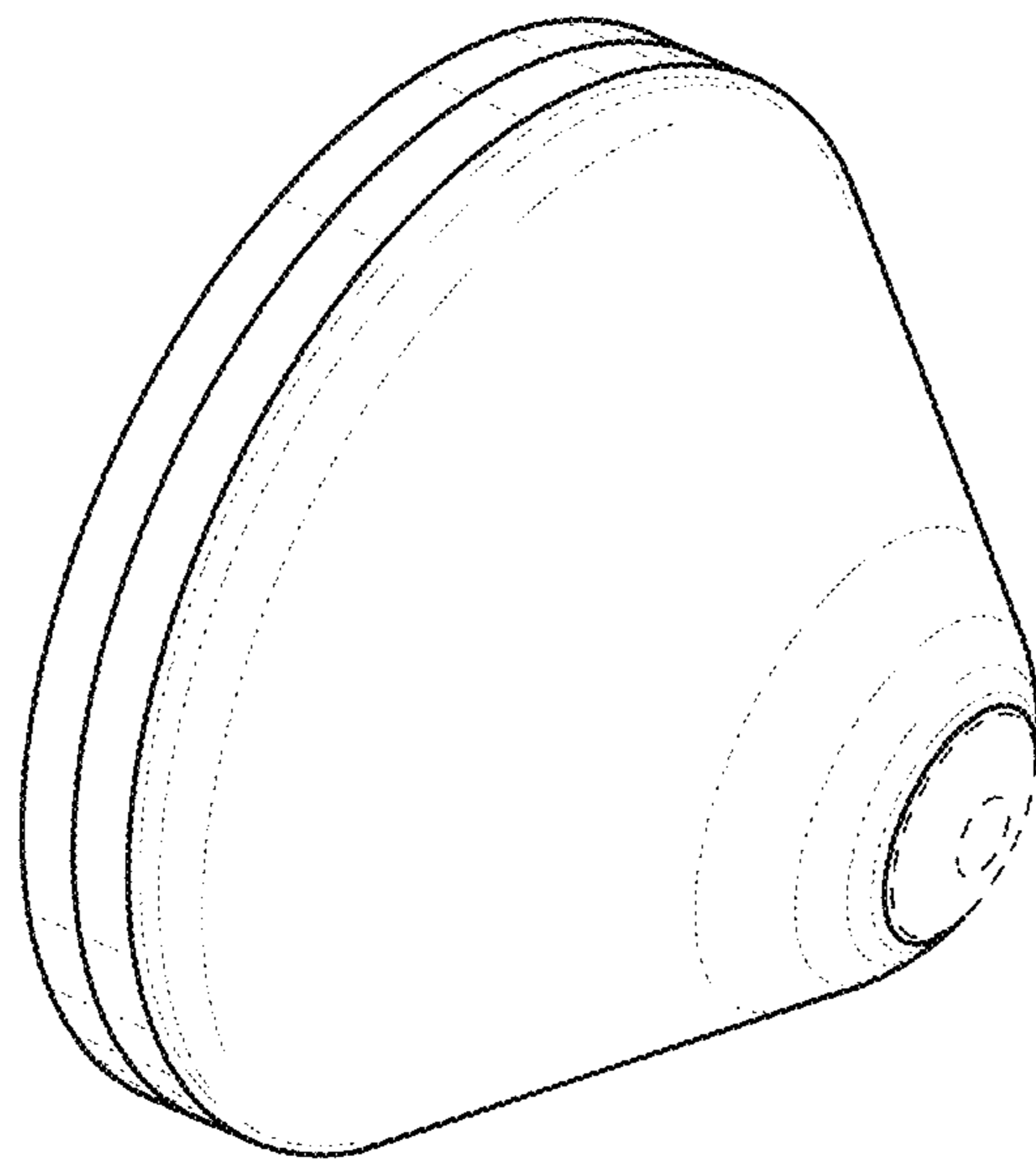


FIG. 16

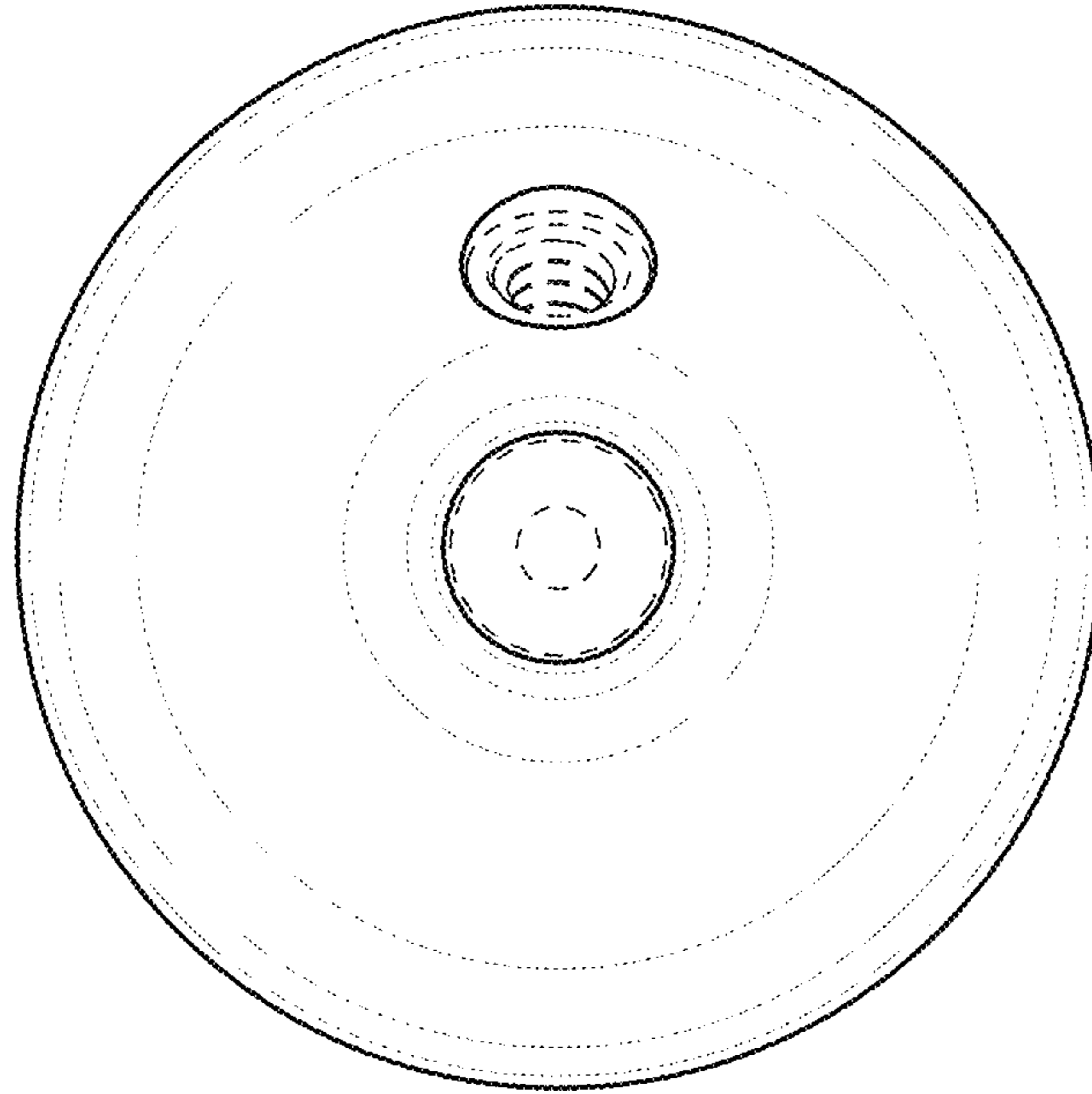


FIG. 17

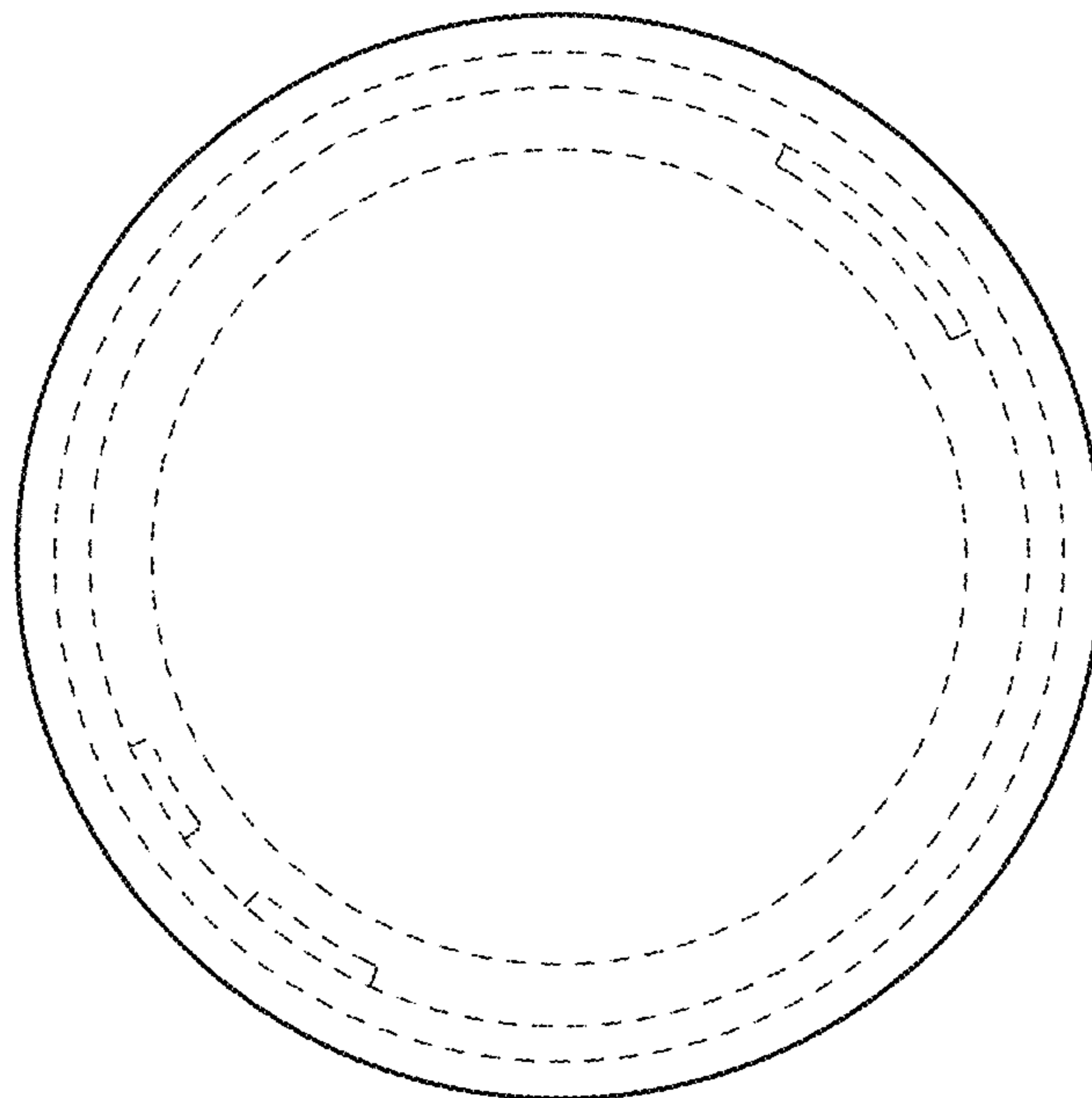


FIG. 18

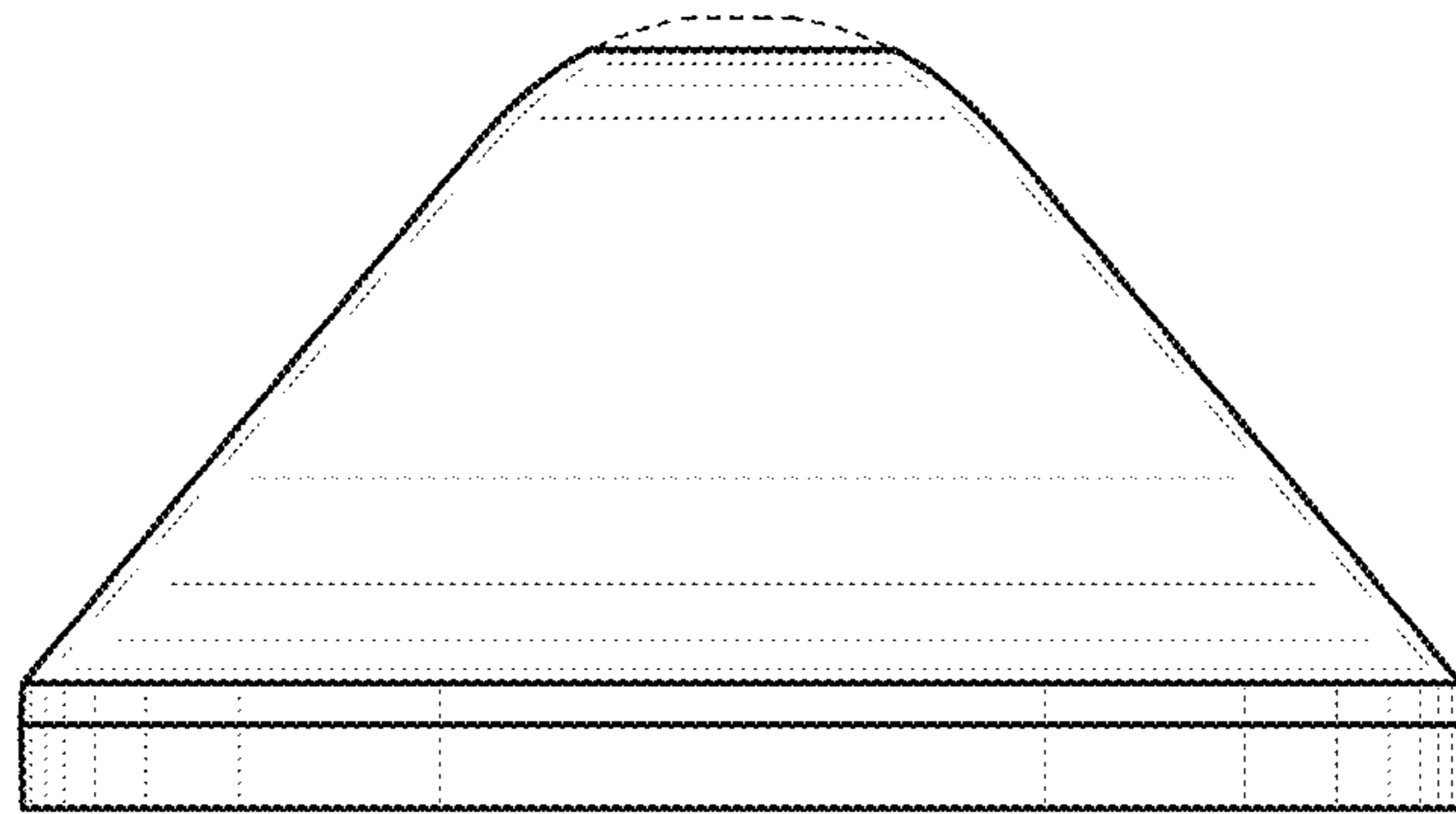


FIG. 19

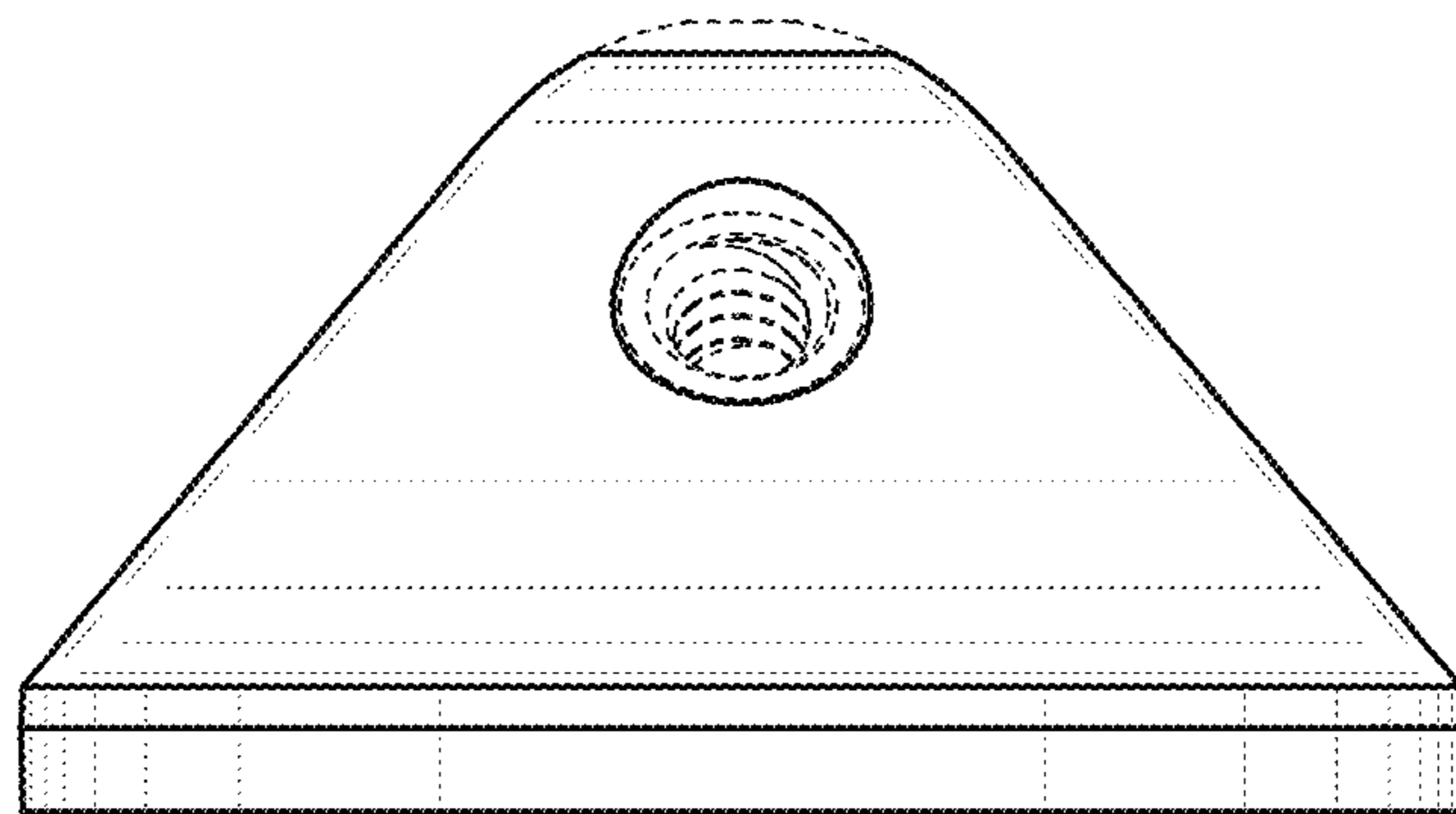


FIG. 20

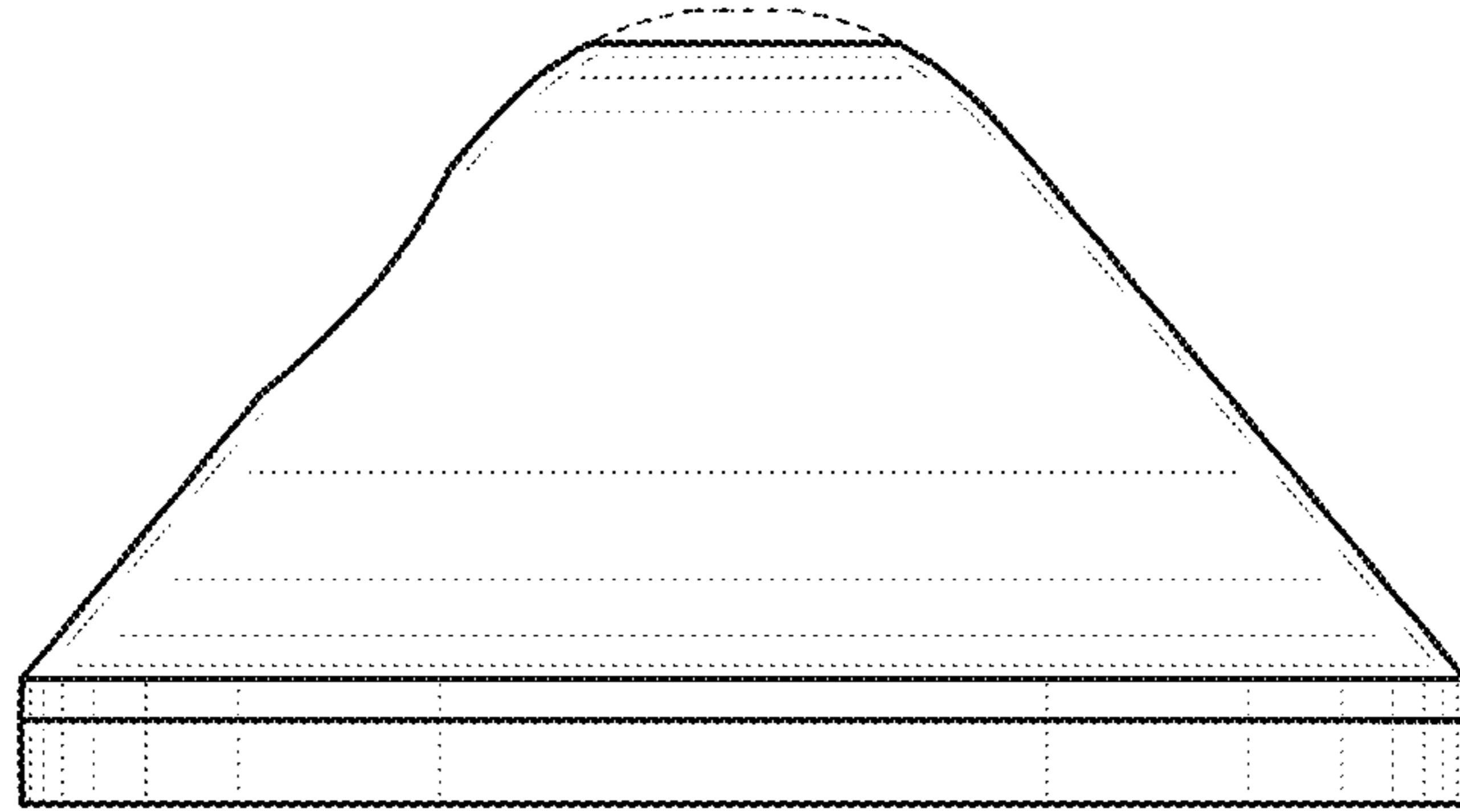


FIG. 21

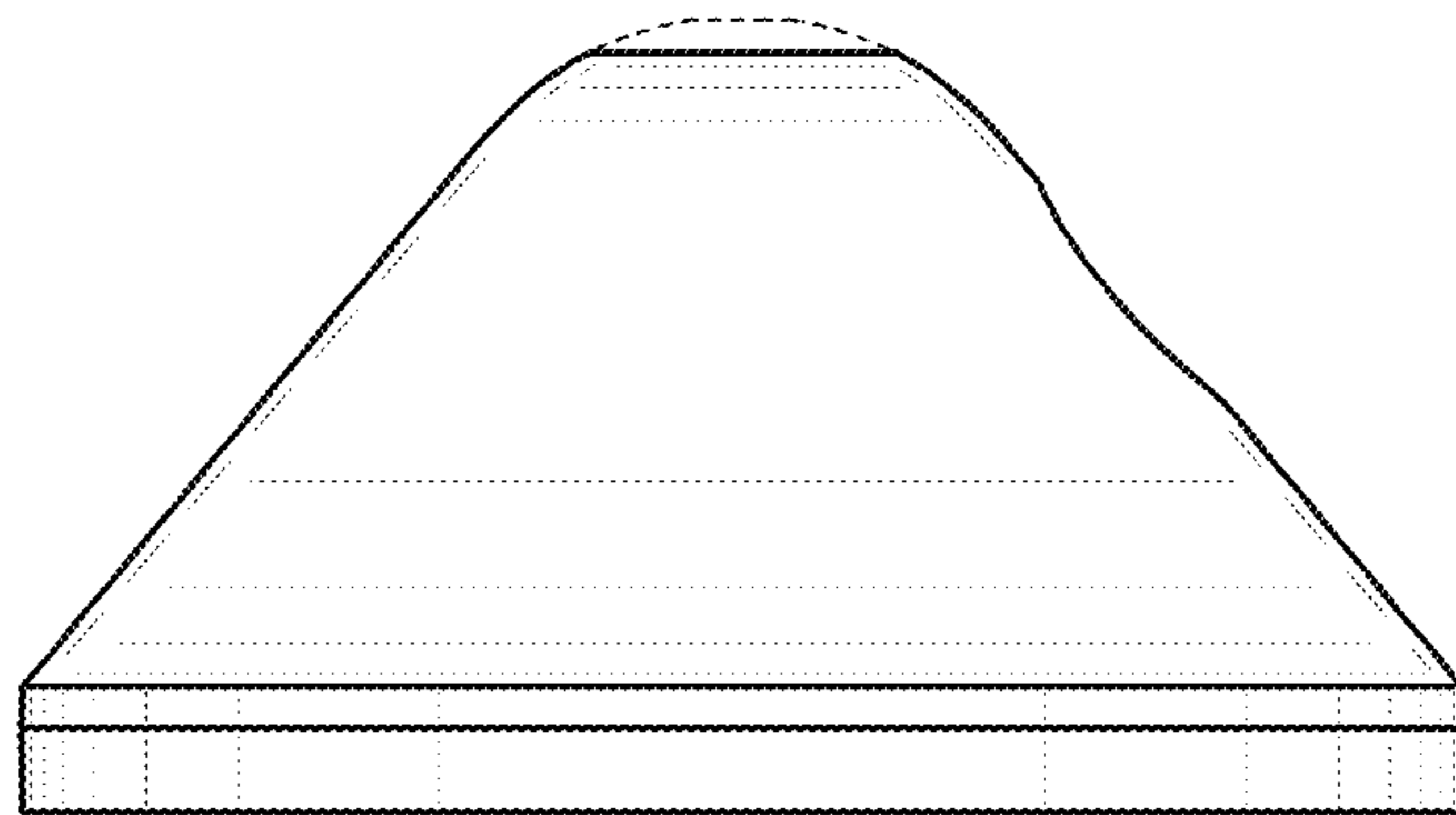


FIG. 22