



US00D827010S

(12) **United States Design Patent**
Motsinger

(10) **Patent No.:** **US D827,010 S**

(45) **Date of Patent:** **** Aug. 28, 2018**

(54) **INSPECTION DEVICE**

(71) Applicant: **Ghostrider, Inc.**, El Cajon, CA (US)

(72) Inventor: **Robert Lee Motsinger**, Oceanside, CA (US)

(**) Term: **15 Years**

(21) Appl. No.: **29/583,764**

(22) Filed: **Nov. 8, 2016**

(51) **LOC (11) Cl.** **16-01**

(52) **U.S. Cl.**
USPC **D16/202**

(58) **Field of Classification Search**
USPC D10/46; D16/200, 202
CPC H04N 5/222; H04N 5/2251; H04N 5/2252;
H04N 5/272; H04N 5/2621; H04N 5/54
See application file for complete search history.

(56) **References Cited**

U.S. PATENT DOCUMENTS

- 3,908,119 A * 9/1975 Zeytoonian F21V 33/008
362/139
- D321,785 S * 11/1991 Garrity D26/37
- D578,903 S * 10/2008 Calvani D10/39

- D578,906 S * 10/2008 Gatz D10/46
- D772,966 S * 11/2016 Song D16/200
- D785,068 S * 4/2017 Patsis D16/200
- 9,860,970 B2 * 1/2018 Tolbert H05K 1/0203

* cited by examiner

Primary Examiner — Antoine Duval Davis
(74) *Attorney, Agent, or Firm* — Cionca IP Law P.C.;
Martin Cionca

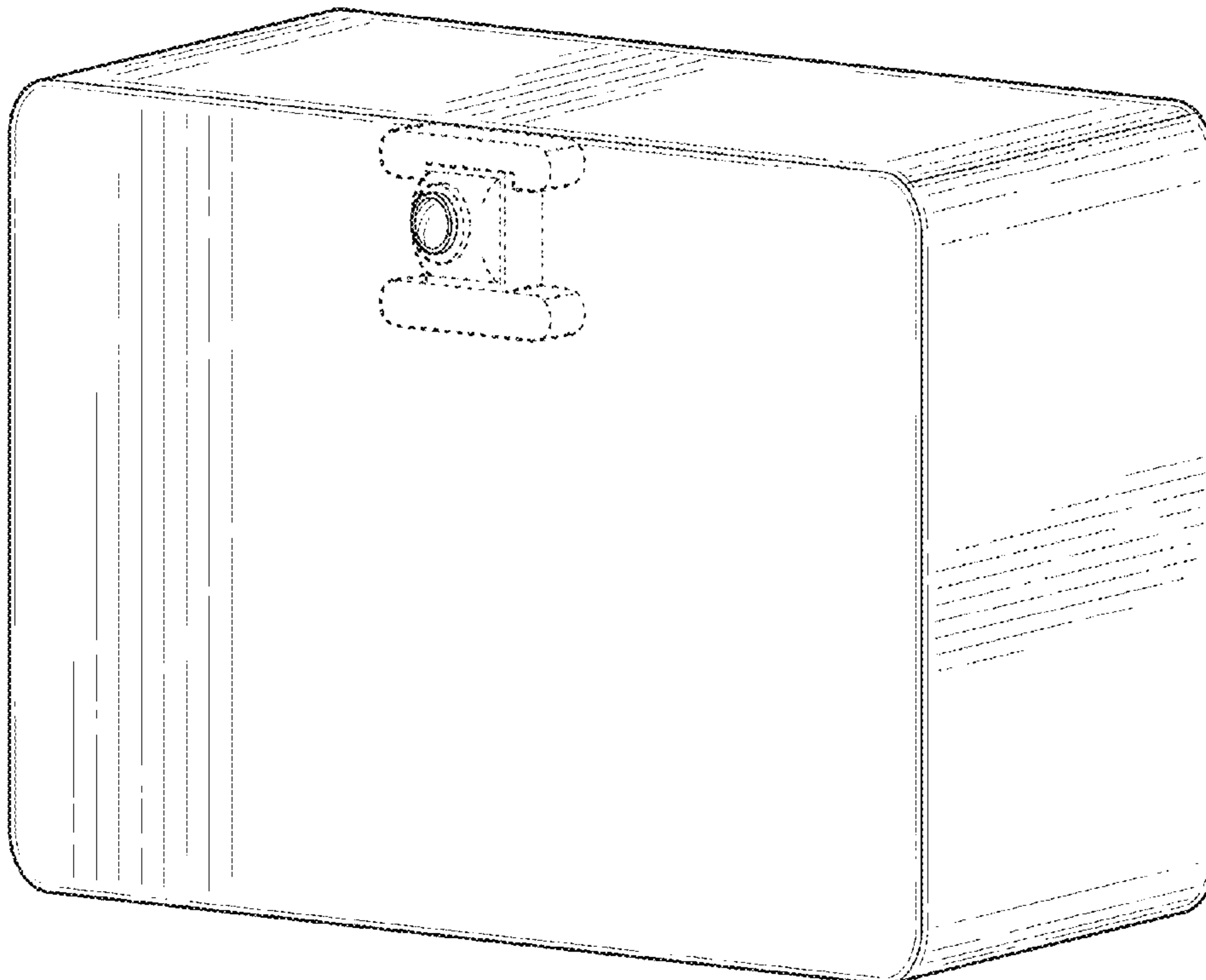
(57) **CLAIM**

The ornamental design of an inspection device, substantially as shown and described.

DESCRIPTION

FIG. 1 is a front top perspective view of an inspection device showing the new design;
FIG. 2 is a left side elevation view thereof, the right side view being similar;
FIG. 3 is a back elevation view thereof;
FIG. 4 is a top plan view thereof, the bottom view being similar;
FIG. 5 is a front elevation view thereof; and,
FIG. 6 is a front side perspective view thereof.
The broken lines shown in the drawings are included for the purpose of illustrating environmental structure and form no part of the claimed design.

1 Claim, 4 Drawing Sheets



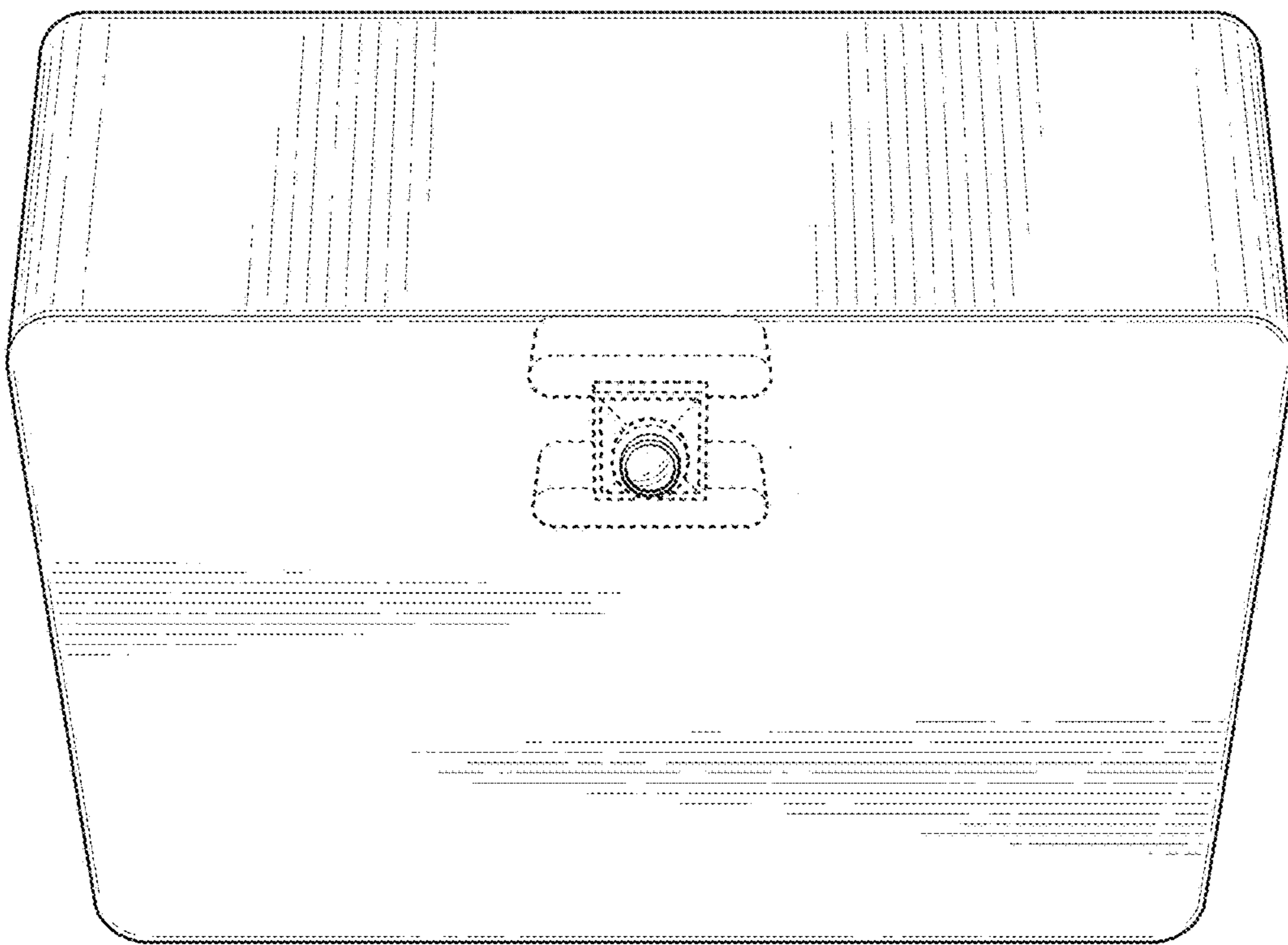


FIG. 1

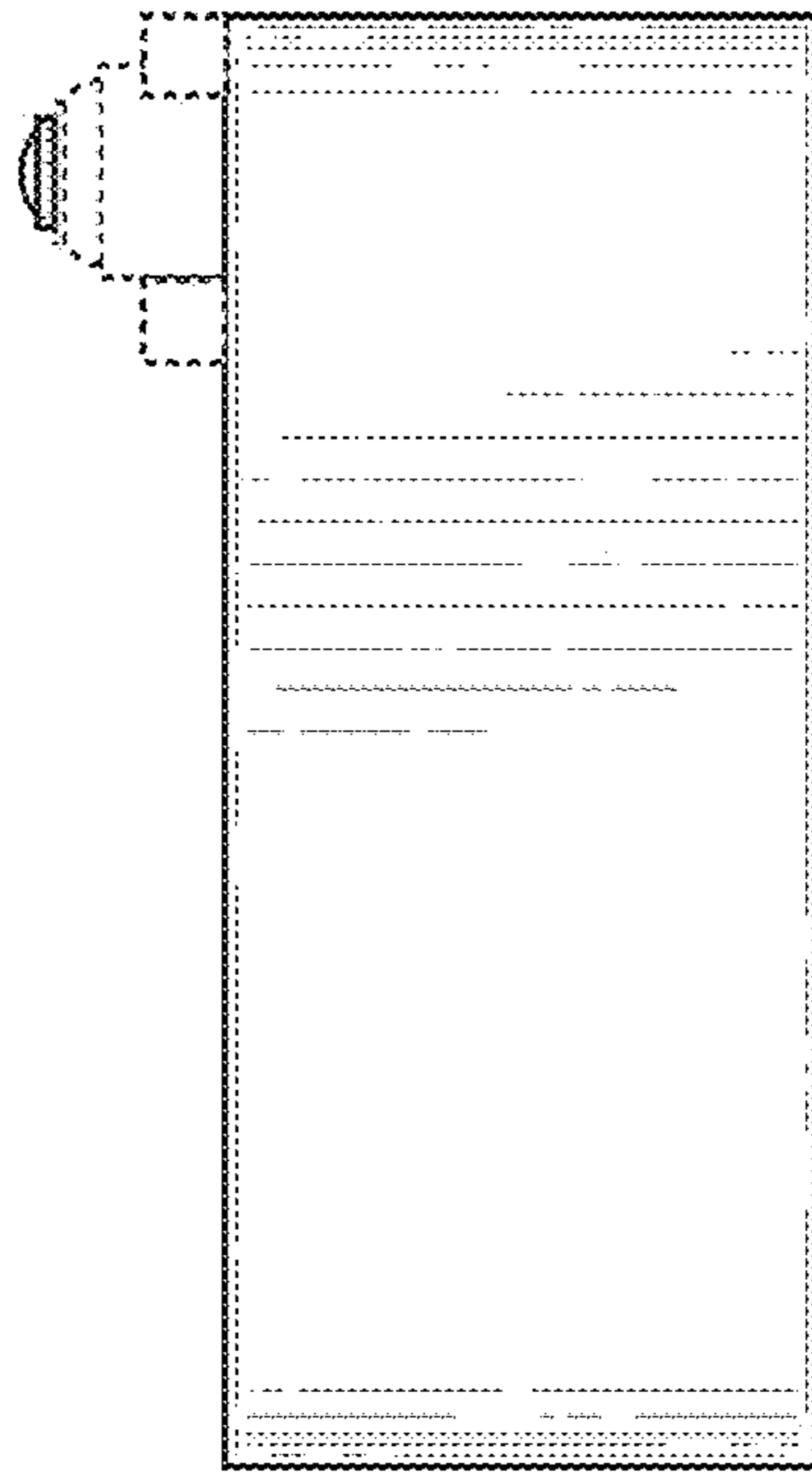


FIG. 2

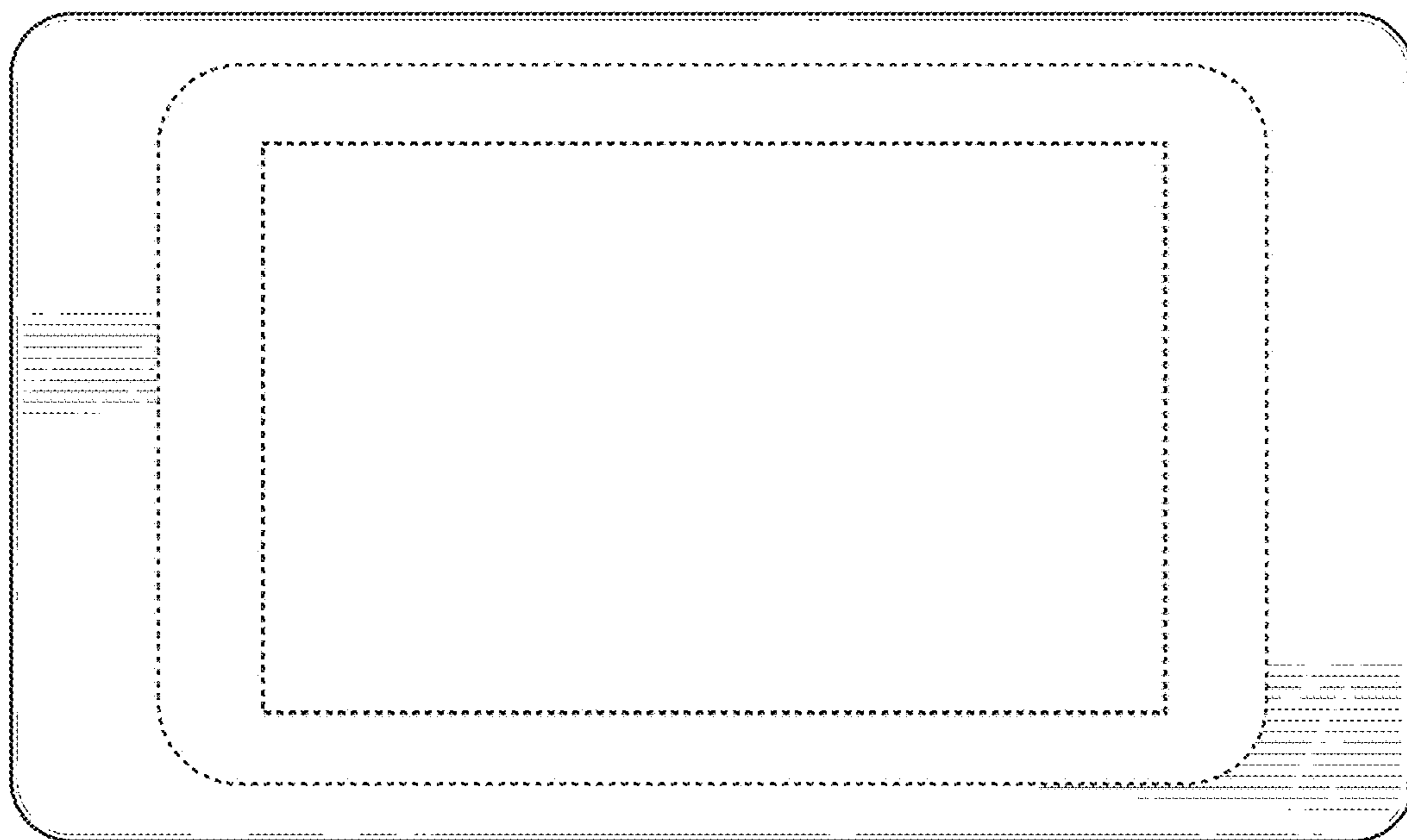


FIG. 3

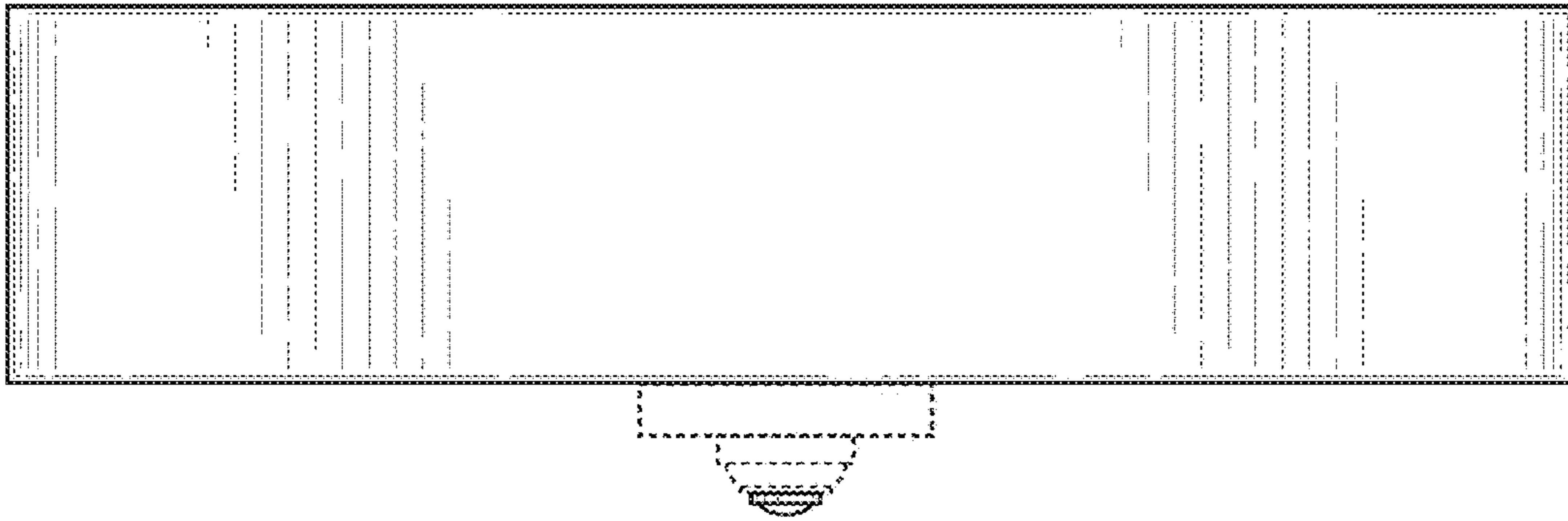


FIG. 4

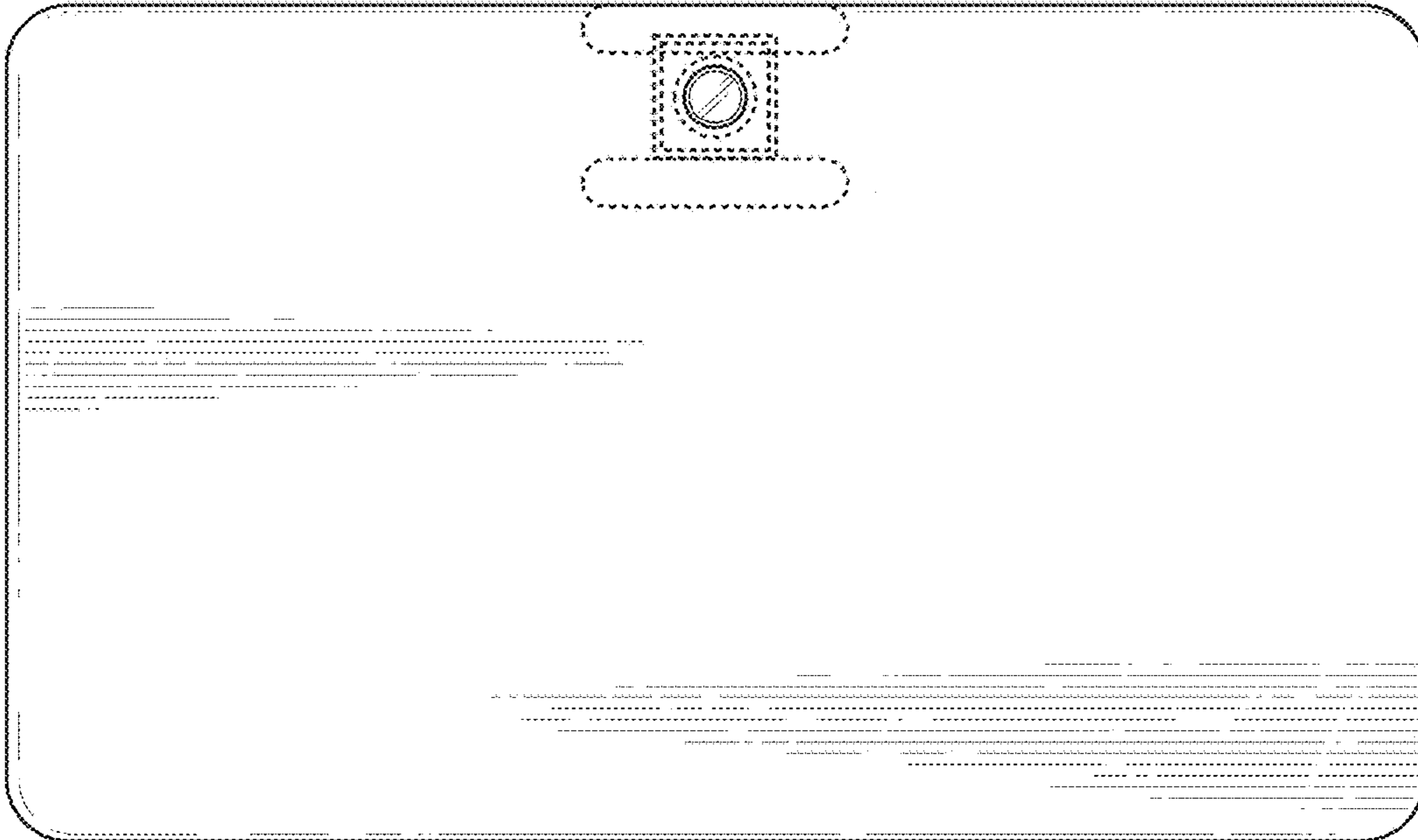


FIG. 5

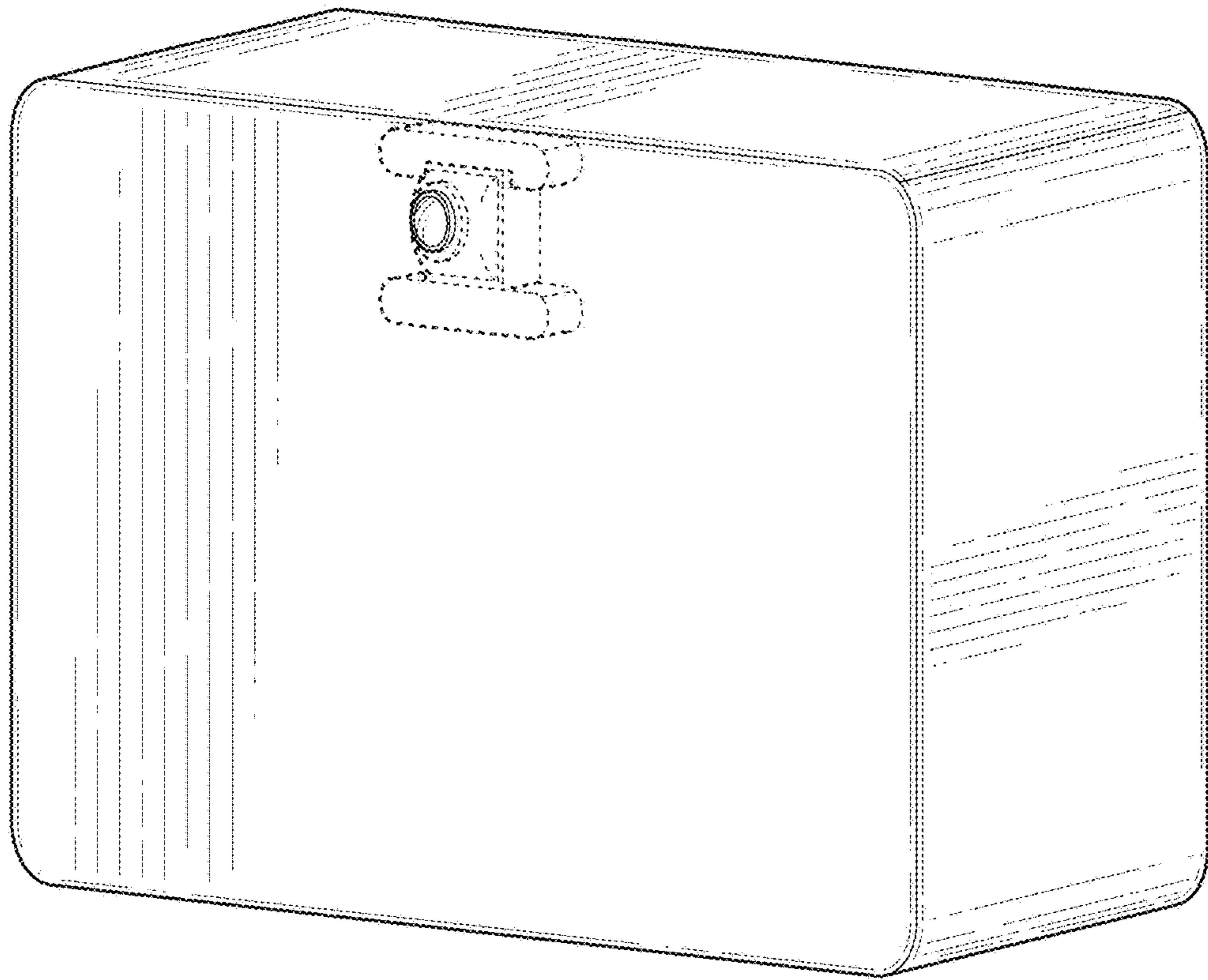


FIG. 6