



US00D827009S

(12) **United States Design Patent**  
**Mauldin**

(10) **Patent No.:** **US D827,009 S**

(45) **Date of Patent:** **\*\* Aug. 28, 2018**

(54) **PHOTO STAND**

D731,575 S \* 6/2015 Moss ..... D16/215  
D755,876 S \* 5/2016 Moss ..... D16/214  
D785,694 S \* 5/2017 Fujii ..... D16/214

(71) Applicant: **Andrew Mauldin**, Mandeville, LA  
(US)

(72) Inventor: **Andrew Mauldin**, Mandeville, LA  
(US)

(\*\*) Term: **15 Years**

(21) Appl. No.: **29/617,391**

(22) Filed: **Sep. 13, 2017**

(51) **LOC (11) Cl.** ..... **16-01**

(52) **U.S. Cl.**

USPC ..... **D16/201**; D16/215

(58) **Field of Classification Search**

USPC ..... D6/300-314; D11/125, 131, 133, 157;  
D26/93, 104, 106, 110, 111, 112;  
D16/201, 214, 215

CPC ... A47G 1/00; A47G 1/02; A47G 1/04; A47G  
1/06; A47G 1/0622; A47G 1/0627; A47G  
1/0633; G03B 17/53; G03B 17/245;  
G03B 17/02; G03B 17/561; G03B 15/02;  
G03B 15/203

See application file for complete search history.

(56) **References Cited**

**U.S. PATENT DOCUMENTS**

D87,483 S \* 8/1932 Purgatorio ..... D26/110  
D183,477 S \* 9/1958 Burnbaum ..... D11/125  
D411,775 S \* 7/1999 Fagone ..... D11/125  
D480,170 S \* 9/2003 Humphrey ..... D26/112  
D480,829 S \* 10/2003 Humphrey ..... D26/112  
D692,474 S \* 10/2013 Thorpe ..... D16/215

**OTHER PUBLICATIONS**

Gas Lamp Photo Booth. (Jan. 19, 2017). Retrieved Jun. 23, 2018,  
from <http://boogiebooth.com/gas-lamp-photo-booth/>.\*

\* cited by examiner

*Primary Examiner* — Deanna L Pratt

(74) *Attorney, Agent, or Firm* — Roy Kiesel Ford Doody  
& Thurmon, APLC

(57) **CLAIM**

The ornamental design for a photo stand, as shown and  
described.

**DESCRIPTION**

FIG. 1 is a front perspective view a photo stand showing my  
new design;

FIG. 2 is a rear perspective view thereof;

FIG. 3 is a front elevation view thereof;

FIG. 4 is a rear elevation view thereof;

FIG. 5 is a right elevation view thereof;

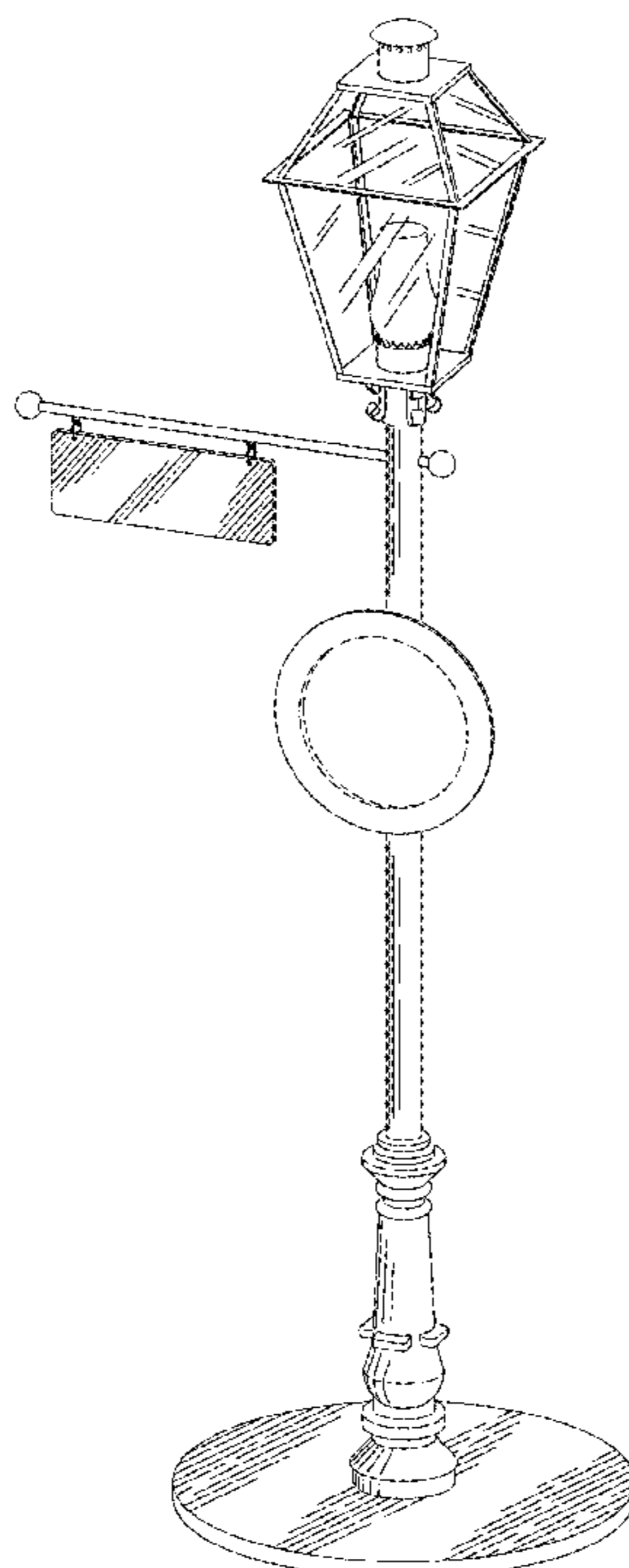
FIG. 6 is a left elevation view thereof;

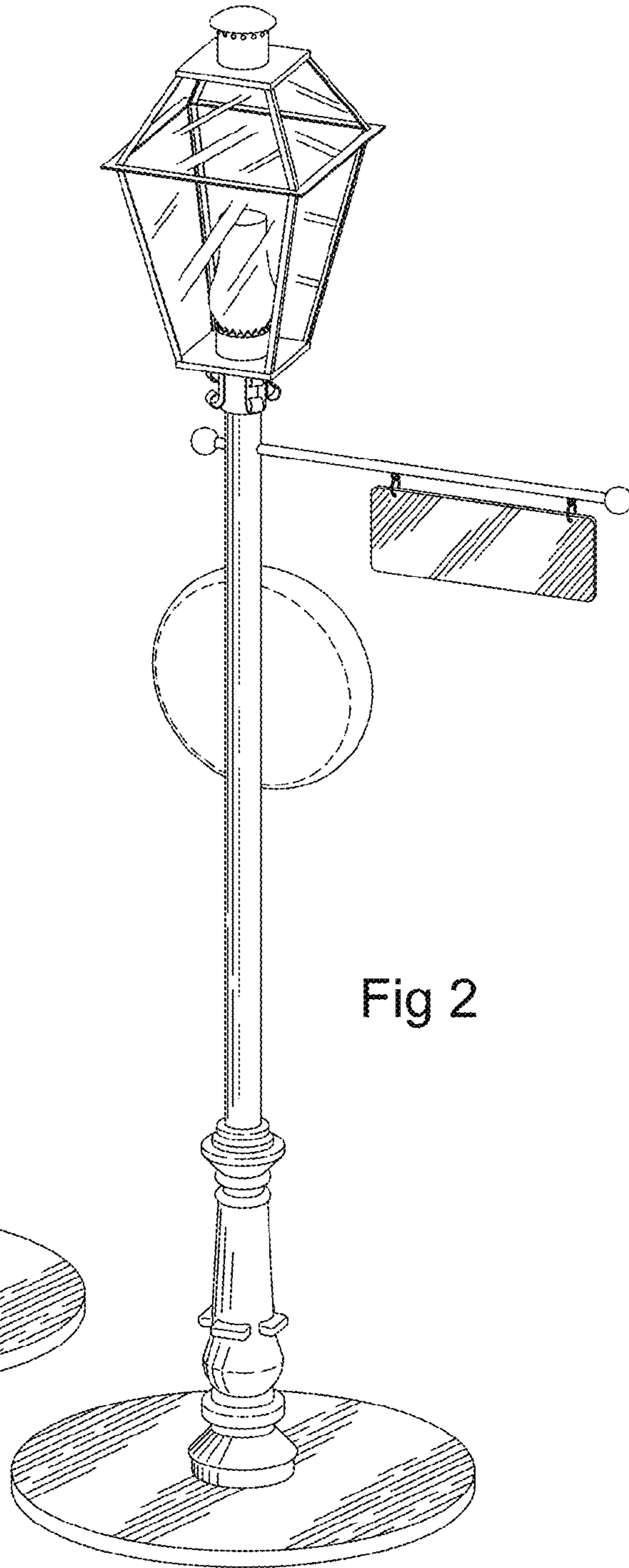
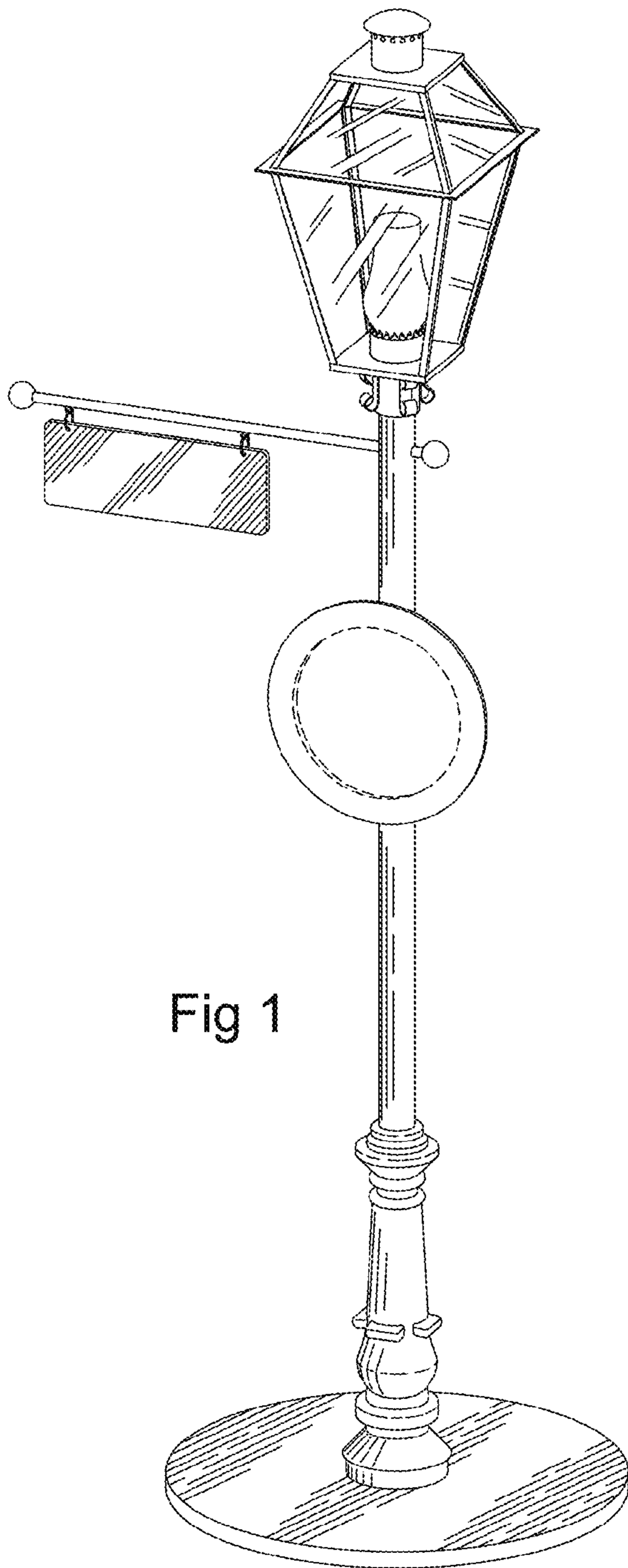
FIG. 7 is a top plan view thereof; and,

FIG. 8 is a bottom plan view thereof.

The dash-dash broken lines shown in the drawings represent  
parts of the photo stand that form no part of the claimed  
design.

**1 Claim, 4 Drawing Sheets**





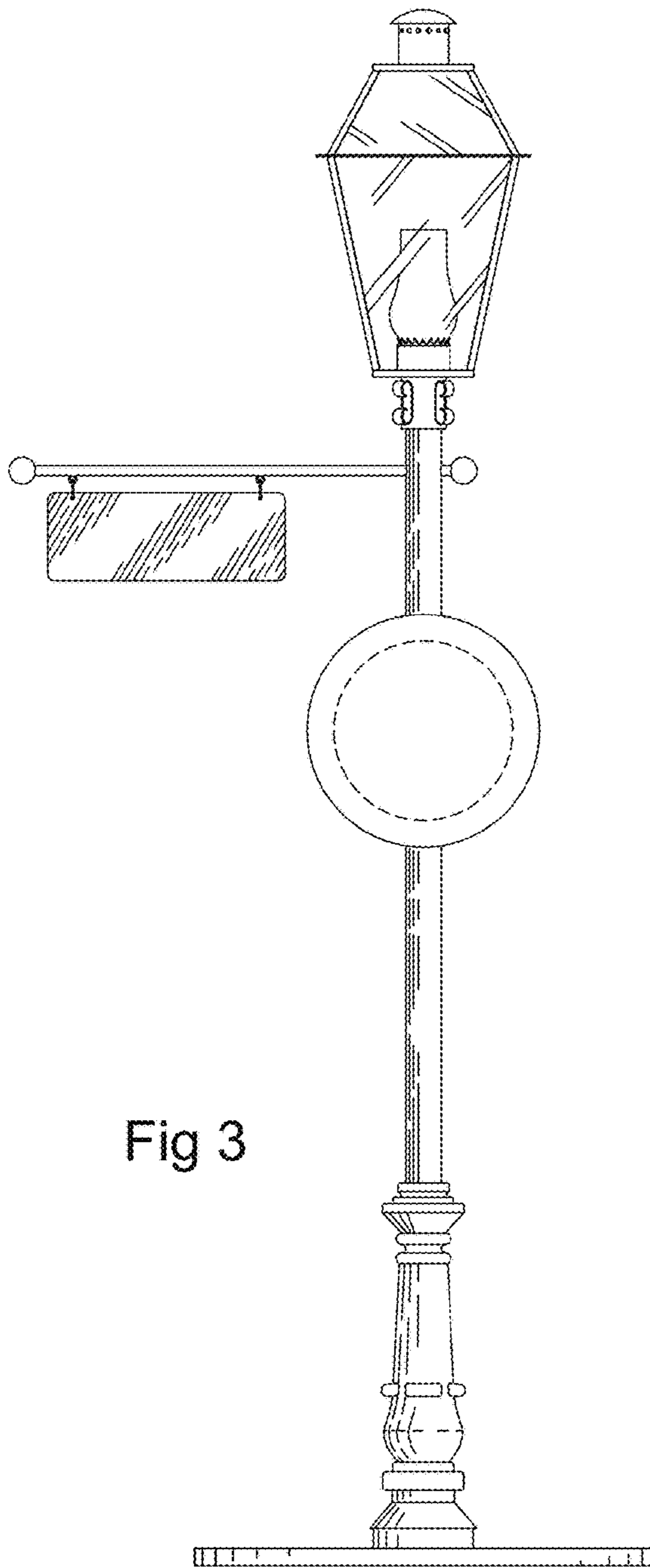


Fig 3

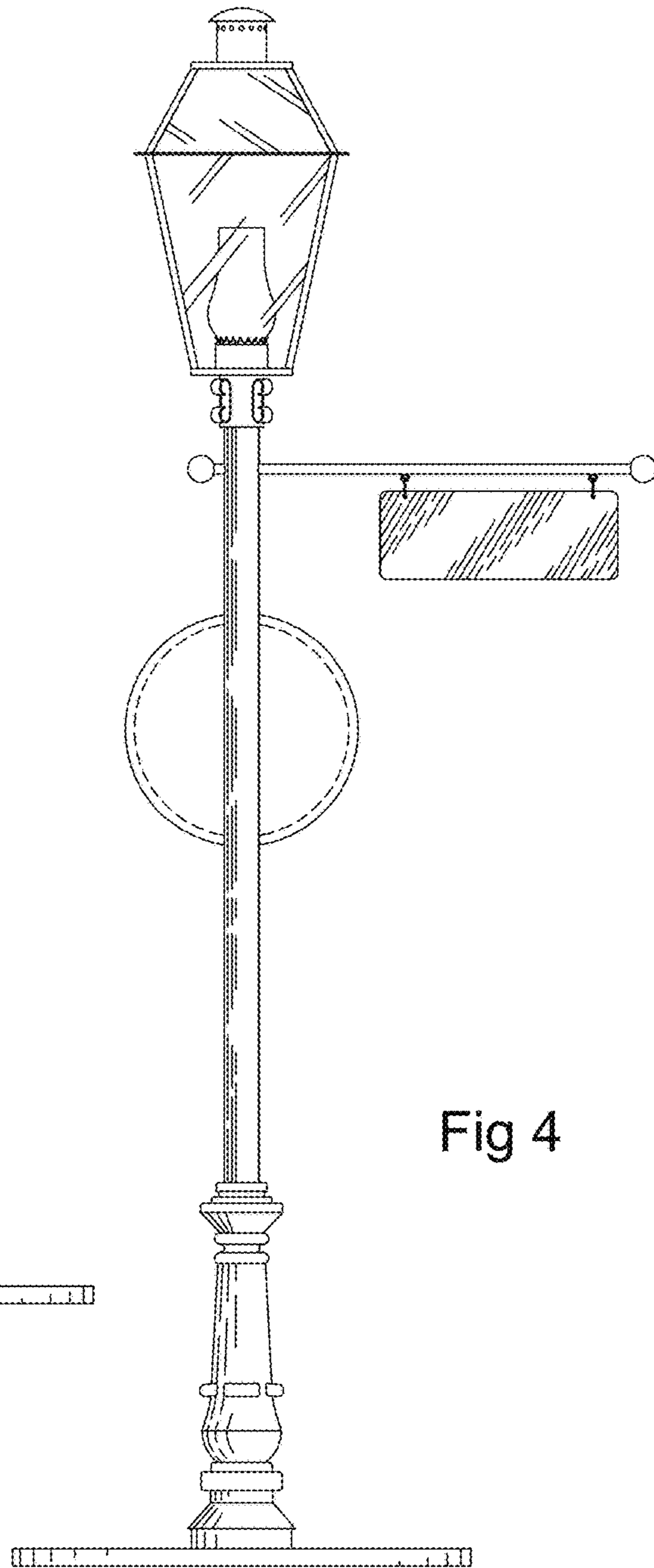


Fig 4

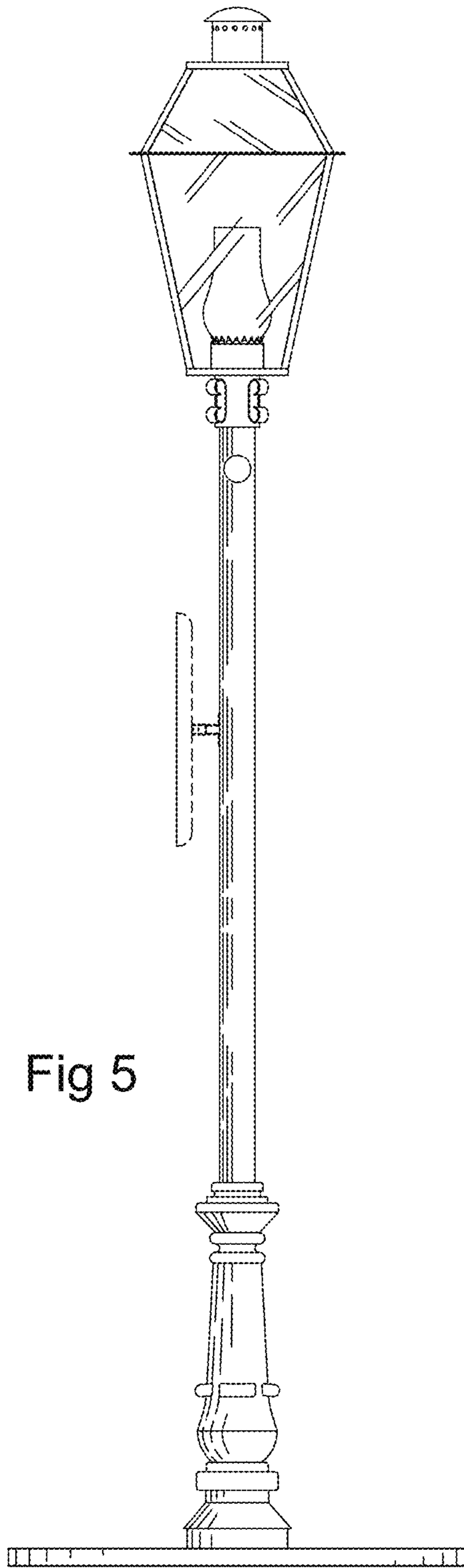


Fig 5

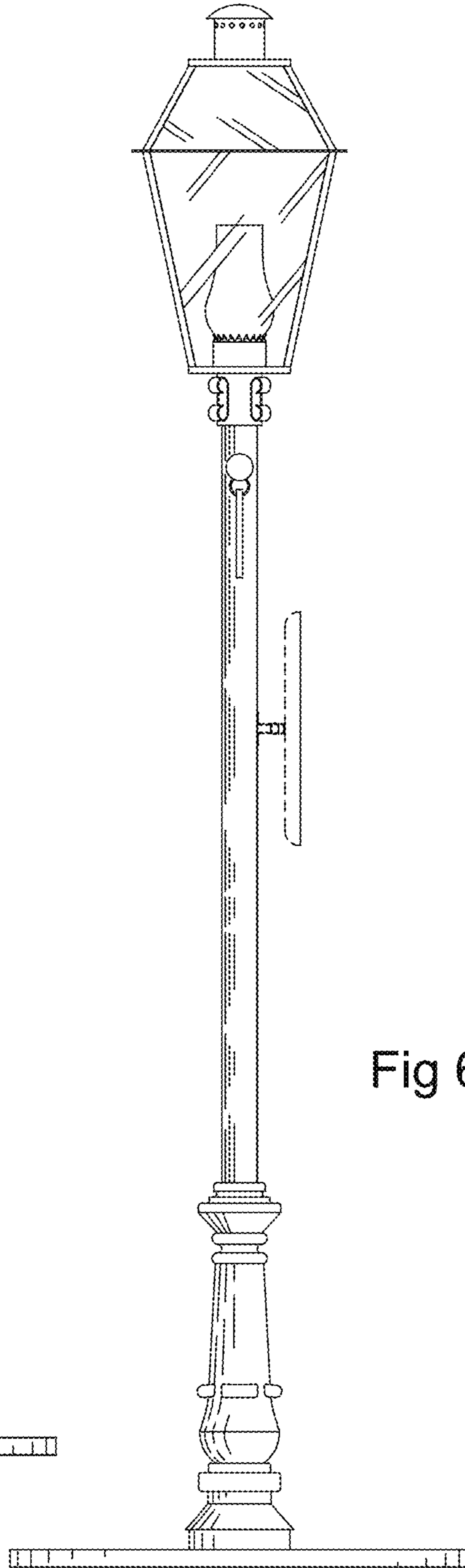


Fig 6

