



US00D827005S

(12) **United States Design Patent**
Huang et al.

(10) **Patent No.:** **US D827,005 S**

(45) **Date of Patent:** **** Aug. 28, 2018**

(54) **ROBOTIC ARM**

(71) Applicant: **HIWIN TECHNOLOGIES CORP.**,
Taichung (TW)

(72) Inventors: **Shou-Yang Huang**, Taichung (TW);
Ren-Jeng Wang, Taichung (TW);
Jung-Fu Hou, Taichung (TW)

(73) Assignee: **Hwin Technologies Corp.**, Taichung
(TW)

(**) Term: **15 Years**

(21) Appl. No.: **29/616,421**

(22) Filed: **Sep. 6, 2017**

(51) **LOC (11) Cl.** **15-99**

(52) **U.S. Cl.**
USPC **D15/199**

(58) **Field of Classification Search**
USPC D15/199; D21/578-583, 621, 622
CPC B25J 5/007; B60B 19/006; B62D 57/024;
H01F 7/0221; Y10S 901/01
See application file for complete search history.

(56) **References Cited**

U.S. PATENT DOCUMENTS

D287,368 S *	12/1986	Shibayama	D15/122
D293,324 S *	12/1987	Gotou	D15/122
D343,630 S *	1/1994	Tomiyama	D15/199
D541,226 S *	4/2007	Wakisaka	D13/168
D636,803 S *	4/2011	Nakagiri	D15/199
D713,436 S *	9/2014	Liu	D15/199
D749,223 S *	2/2016	Vargas	D24/185
D769,343 S *	10/2016	Bordegnoni	D15/199
D782,553 S *	3/2017	Goto	D15/199
D783,695 S *	4/2017	Ke	D15/143
D785,688 S *	5/2017	Matsuda	D15/199
D790,618 S *	6/2017	Ke	D15/199
D800,199 S *	10/2017	Yang	D15/199

D800,813 S *	10/2017	Zhu	D15/199
2009/0114054 A1 *	5/2009	Horiuchi	B25J 9/102 74/490.05
2011/0241369 A1 *	10/2011	Kamon	B25J 9/102 294/213
2013/0183129 A1 *	7/2013	Nammoto	B25J 15/10 414/729
2015/0285721 A1 *	10/2015	Watanabe	G01B 21/00 73/788
2016/0031093 A1 *	2/2016	Tominaga	B25J 9/102 74/490.01
2016/0081753 A1 *	3/2016	Kostrzewski	A61B 34/25 606/130
2016/0089788 A1 *	3/2016	Nammoto	B25J 9/1633 700/250
2016/0229058 A1 *	8/2016	Pinter	G06Q 50/22
2016/0297081 A1 *	10/2016	Watanabe	H01R 13/60
2017/0225341 A1 *	8/2017	Kerestes	B25J 17/0208
2018/0008264 A1 *	1/2018	Kang	A61B 17/07207

(Continued)

Primary Examiner — Patricia Ann Palasik

(74) *Attorney, Agent, or Firm* — Muncy, Geissler, Olds & Lowe, P.C.

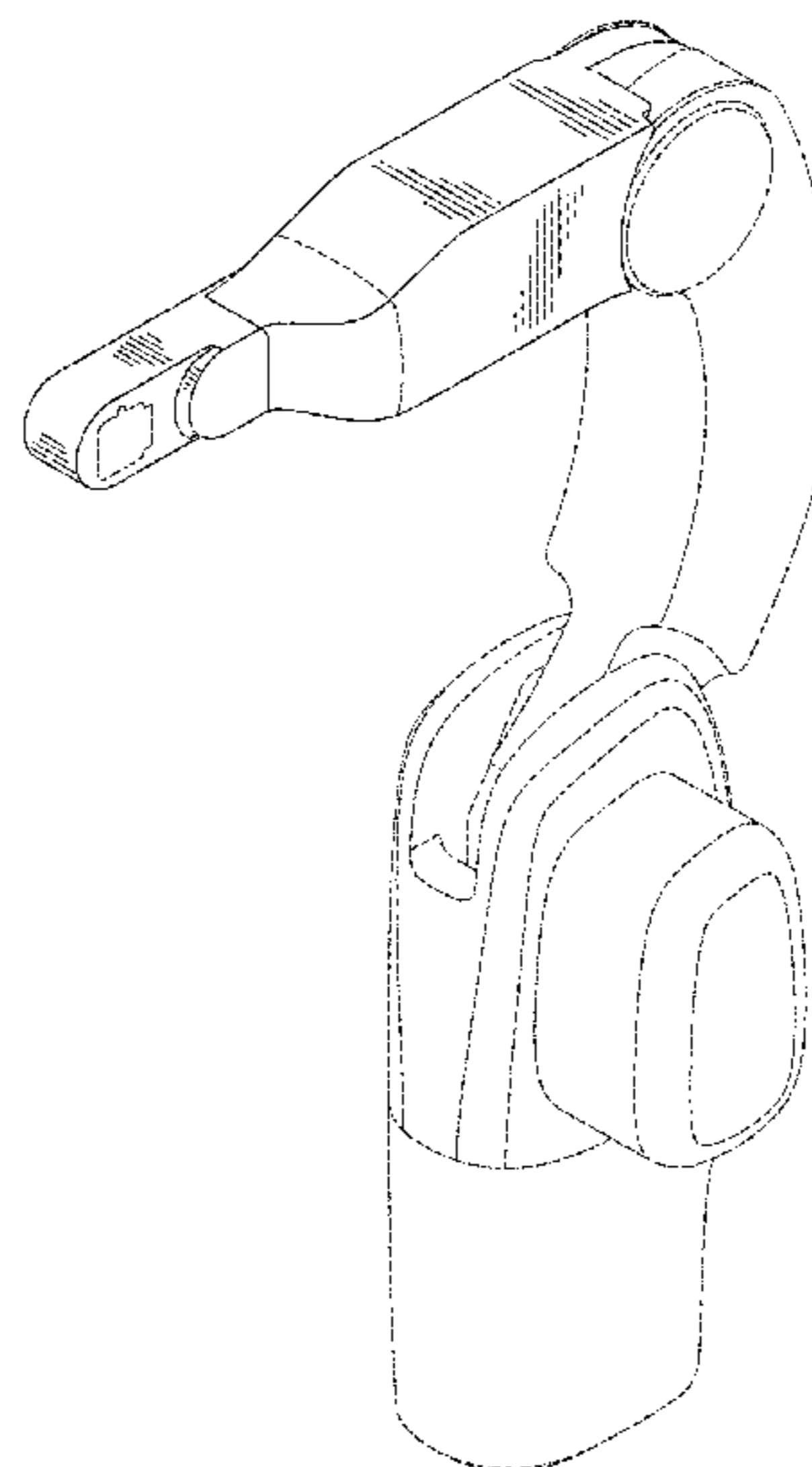
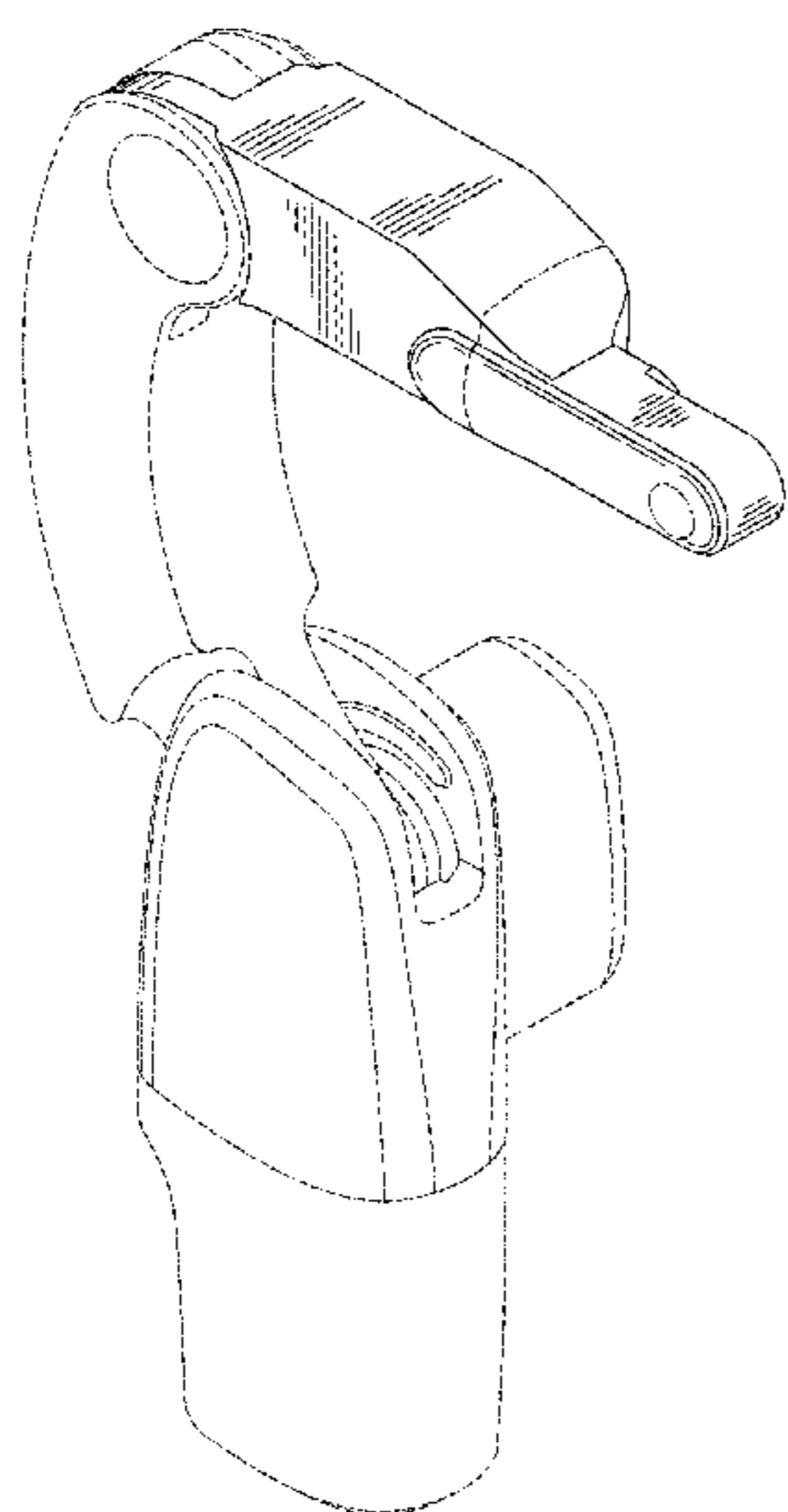
(57) **CLAIM**

The ornamental design for a robotic arm, as shown and described.

DESCRIPTION

FIG. 1 is a perspective view of a robotic arm showing the new design;
FIG. 2 is another perspective view thereof;
FIG. 3 is a front elevational view thereof;
FIG. 4 is a rear elevational view thereof;
FIG. 5 is a left side elevational view thereof;
FIG. 6 is a right side elevational view thereof;
FIG. 7 is a top plan view thereof; and,
FIG. 8 is a bottom plan view thereof.
The broken lines FIGS. 1-8 depict unclaimed environmental subject matter of the robotic arm.

1 Claim, 7 Drawing Sheets



(56)

References Cited

U.S. PATENT DOCUMENTS

2018/0104829 A1* 4/2018 Altman B25J 19/005
2018/0111270 A1* 4/2018 Hasegawa B25J 9/1682

* cited by examiner

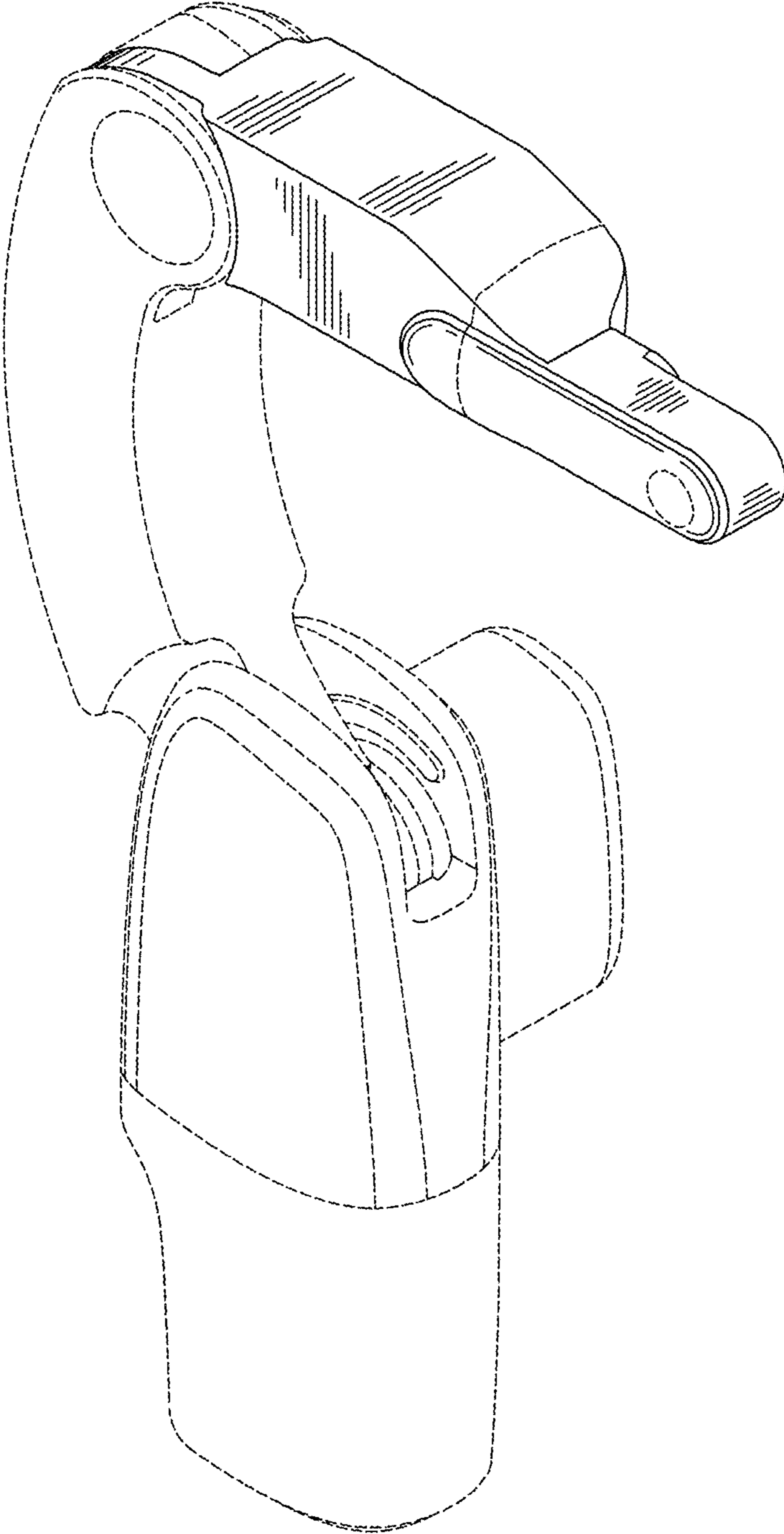


FIG. 1

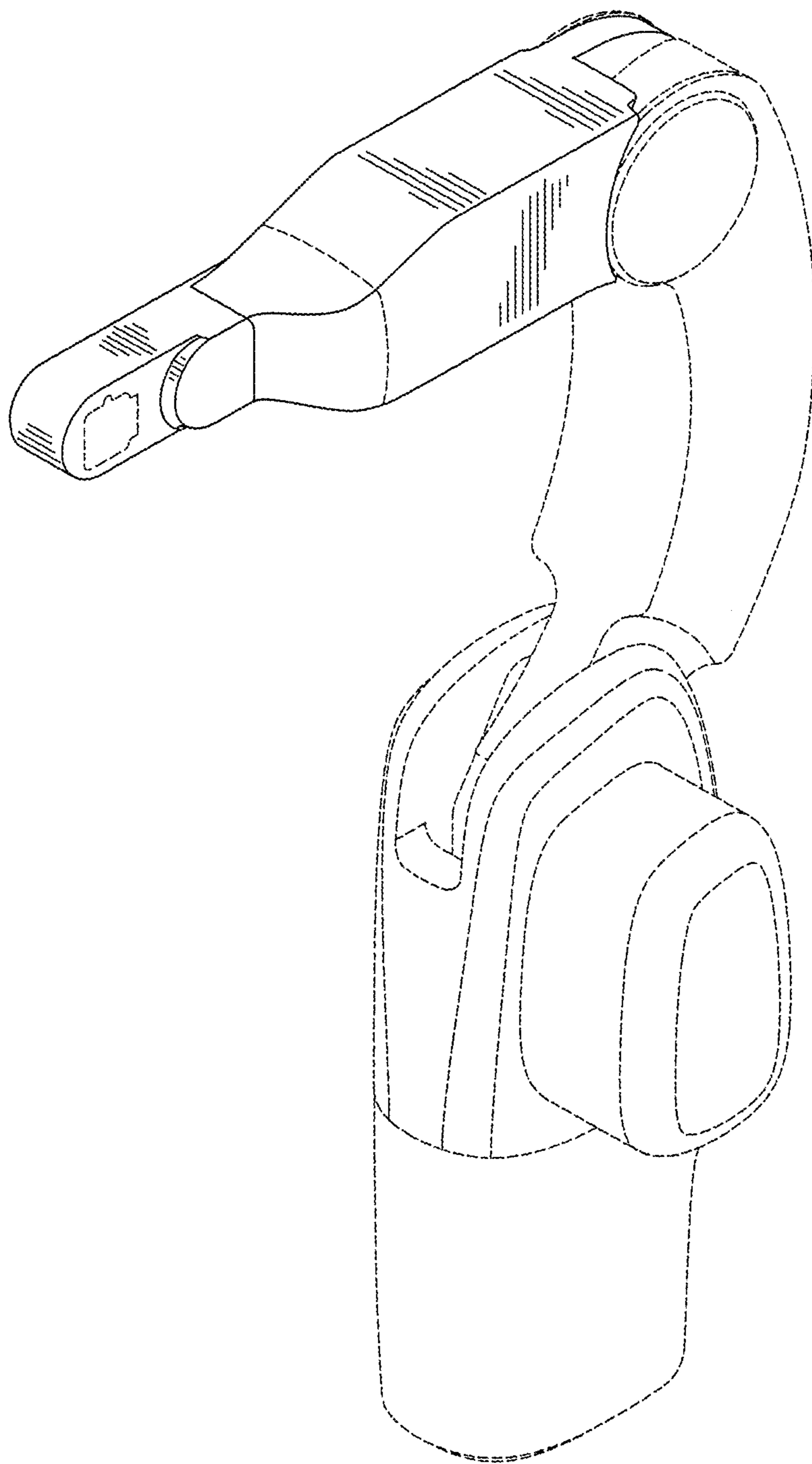


FIG. 2

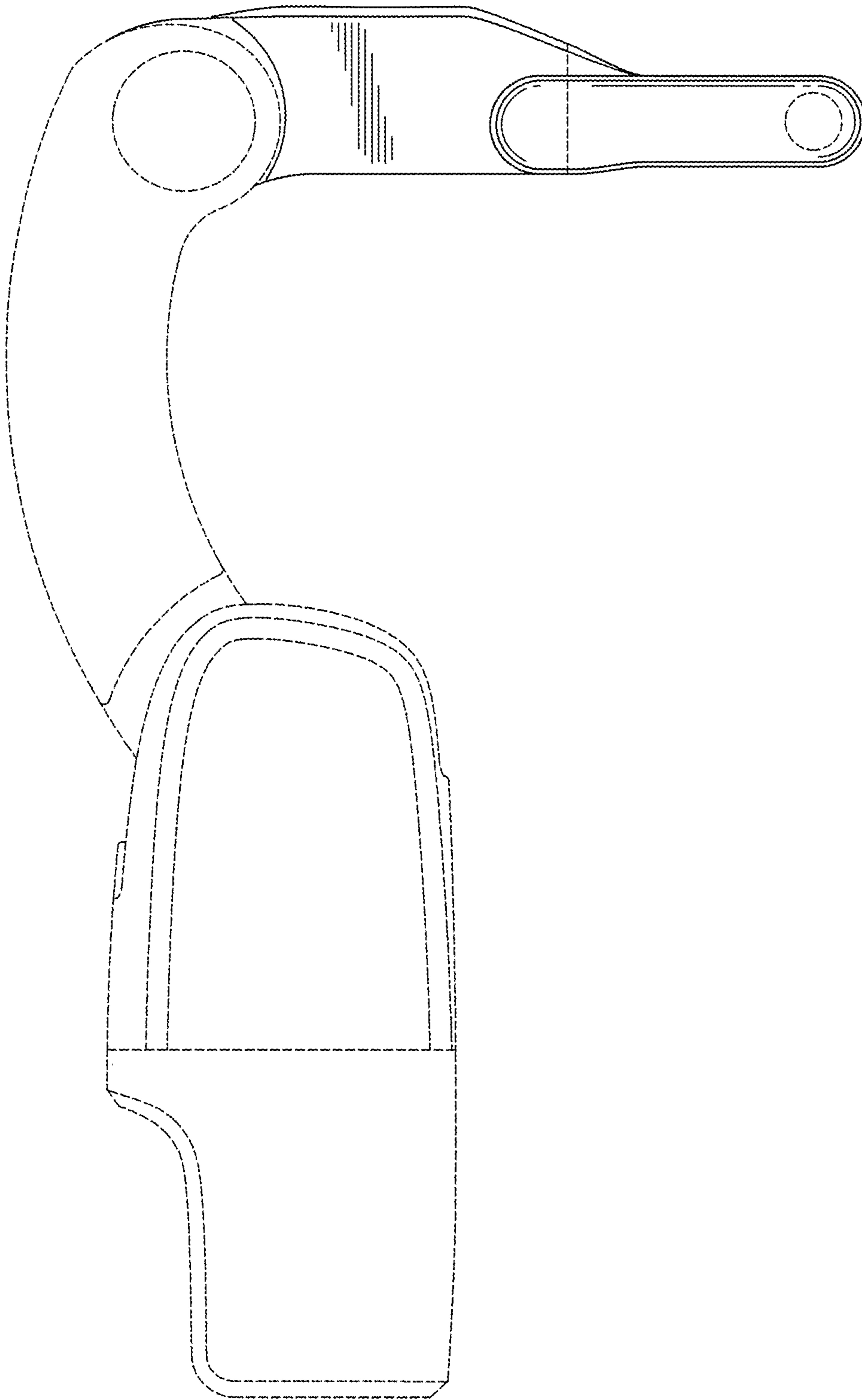


FIG. 3

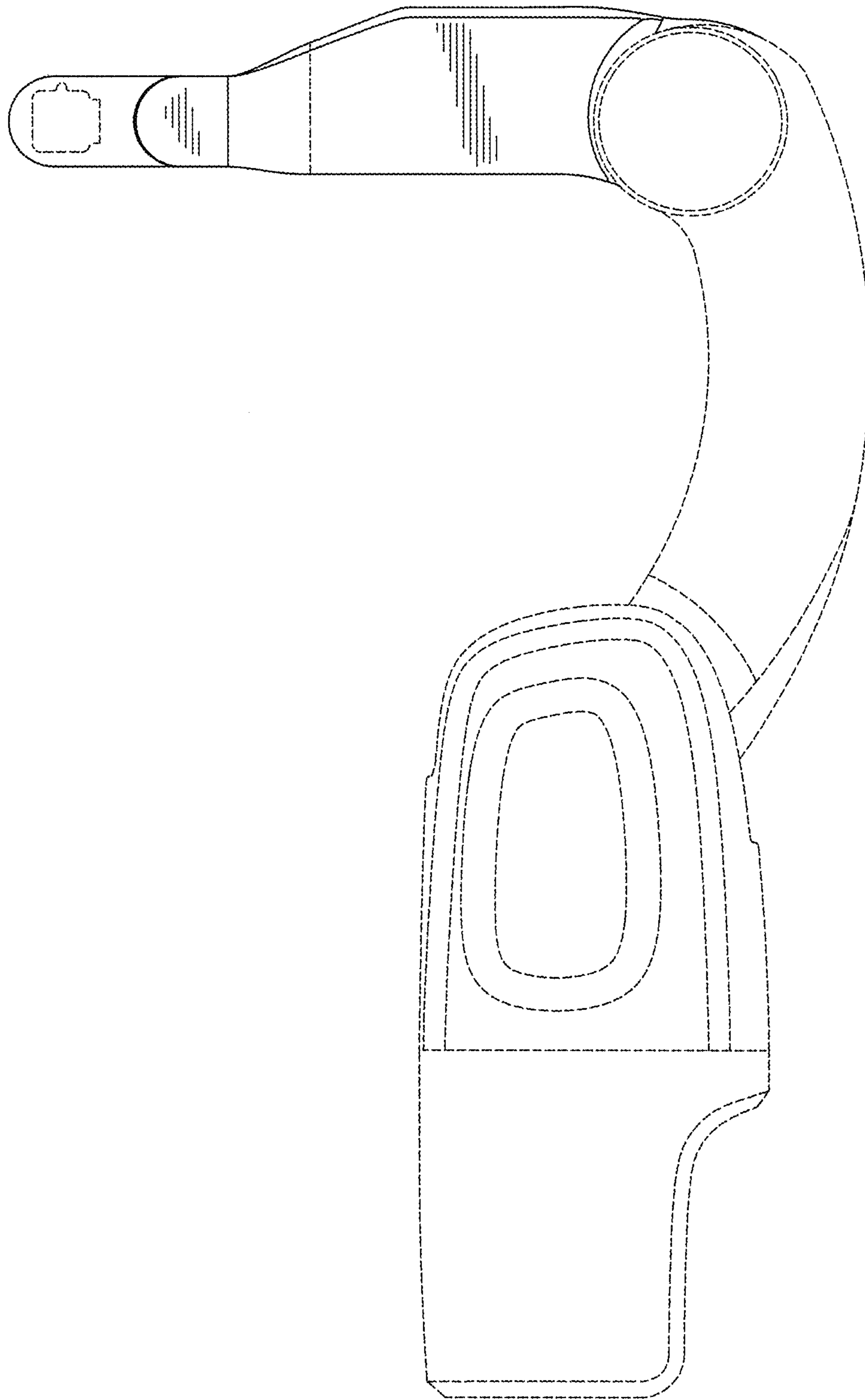


FIG. 4

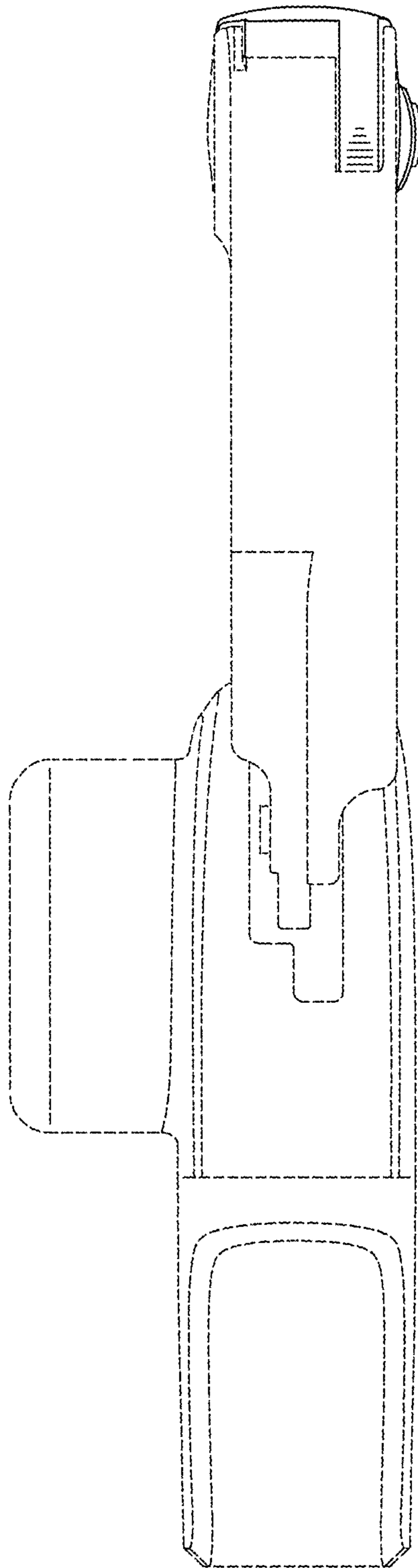


FIG. 5

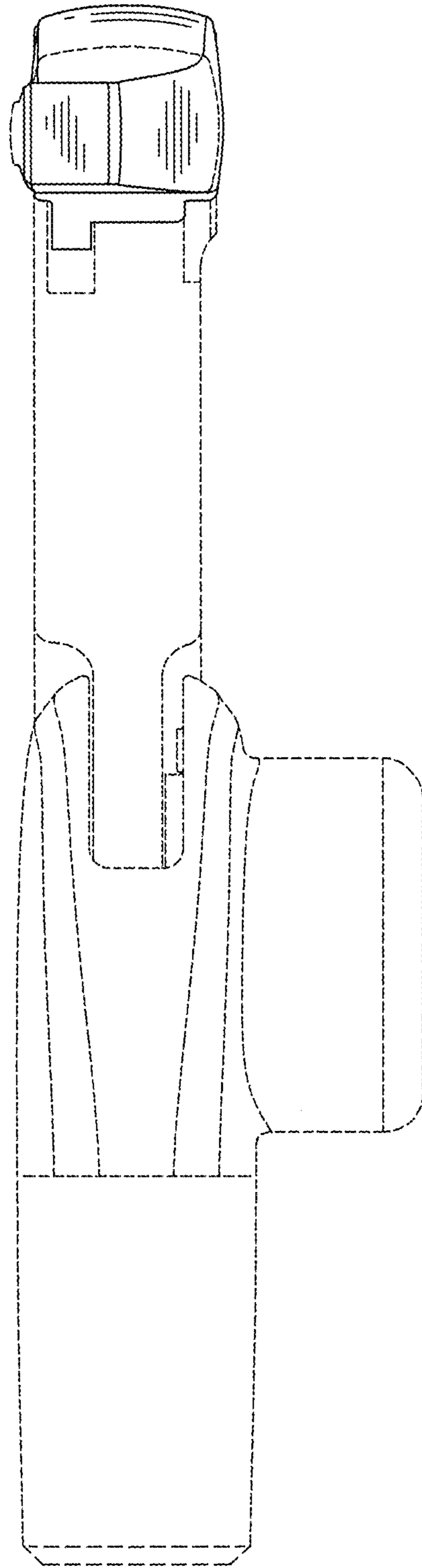


FIG. 6

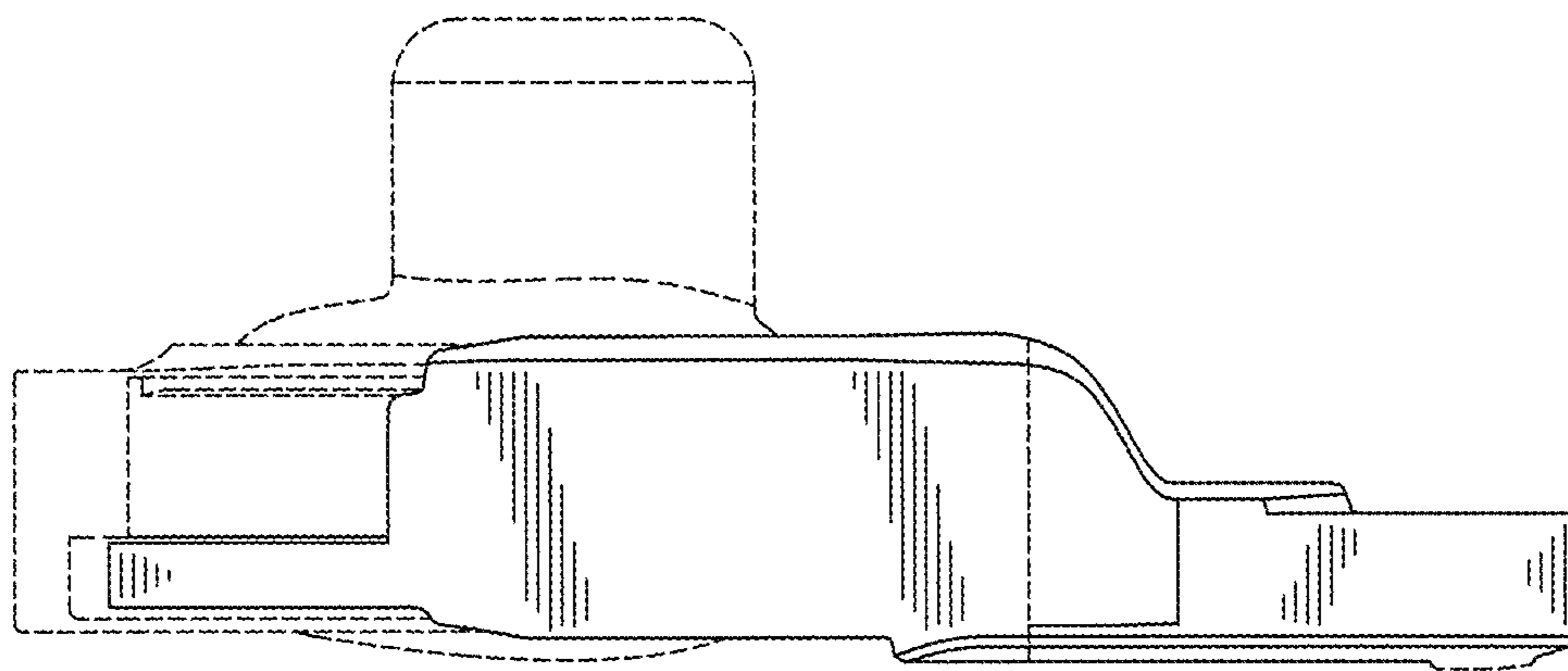


FIG. 7

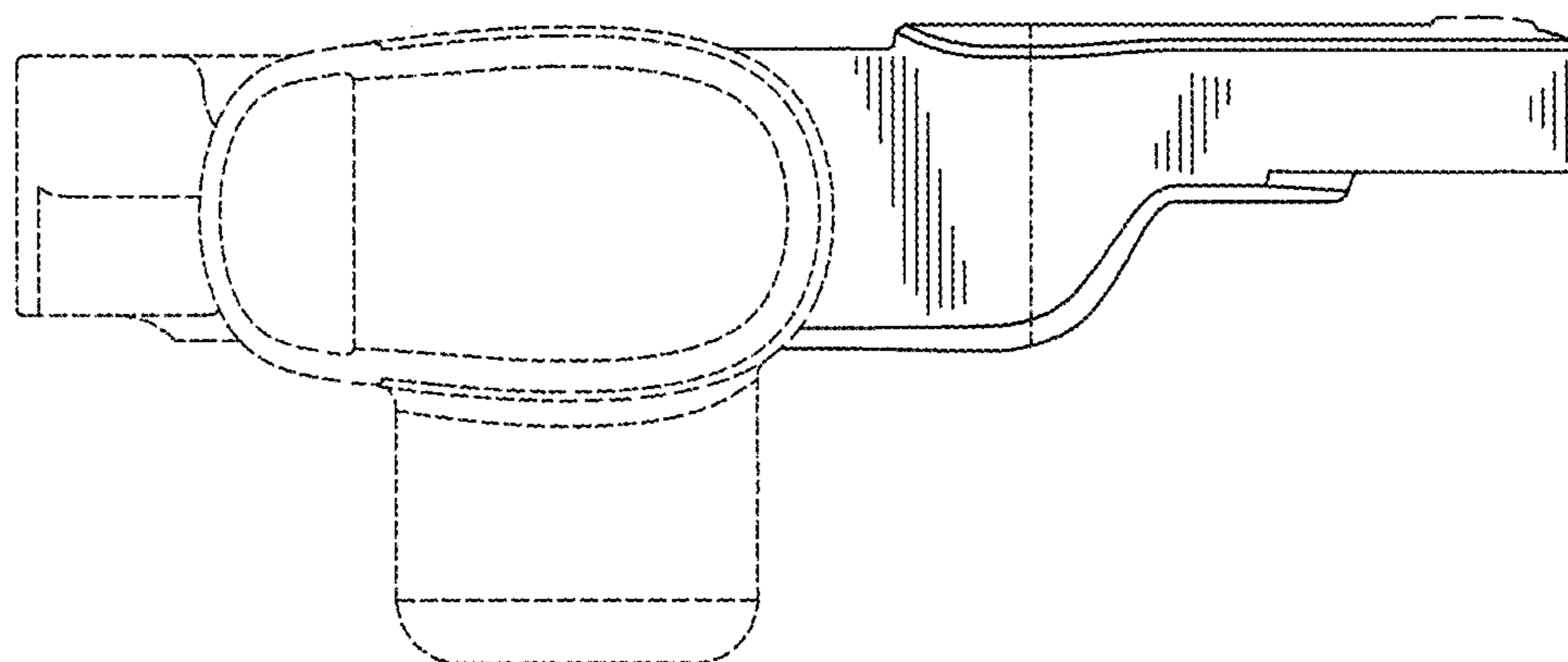


FIG. 8