



US00D827001S

(12) **United States Design Patent**
Nelson

(10) **Patent No.:** **US D827,001 S**

(45) **Date of Patent:** **** Aug. 28, 2018**

(54) **WRAPPING APPARATUS**

(71) Applicant: **Encore Packaging LLC**, Lake Bluff, IL (US)

(72) Inventor: **Timothy H. Nelson**, Winnetka, IL (US)

(73) Assignee: **Encore Packaging LLC**, Lake Bluff, IL (US)

(**) Term: **15 Years**

(21) Appl. No.: **29/596,030**

(22) Filed: **Mar. 3, 2017**

(51) **LOC (11) Cl.** **15-99**

(52) **U.S. Cl.**
USPC **D15/145**

(58) **Field of Classification Search**
USPC D15/122, 138, 145
CPC A01F 2015/074; A01F 2015/076; A01F 2015/077; A01F 2015/0715; B65B 11/04; B65B 57/18

See application file for complete search history.

(56) **References Cited**

U.S. PATENT DOCUMENTS

3,162,992 A * 12/1964 Davis H02G 7/10
242/441.3

4,068,448 A * 1/1978 Modeen B65B 9/045
53/131.3

4,109,445 A * 8/1978 Shulman B65B 11/025
53/210

4,152,879 A * 5/1979 Shulman B65B 11/045
53/211

D256,022 S * 7/1980 Shulman D15/145

4,317,322 A * 3/1982 Lancaster B65B 11/008
53/399

4,346,550 A * 8/1982 Ferree H01B 13/0808
242/439.5

4,517,890 A * 5/1985 Campbell A01F 15/141
100/5

4,524,568 A * 6/1985 Lancaster B65B 11/008
53/441

D295,525 S * 5/1988 Sakaki D15/145

4,832,767 A * 5/1989 Eller H02G 15/196
156/212

D306,391 S * 3/1990 Huang D15/122

D307,435 S * 4/1990 Sakaki D15/145

D308,977 S * 7/1990 Sakaki D15/145

4,953,336 A * 9/1990 Lancaster, III B65B 11/008
53/176

4,979,358 A * 12/1990 Keip B65B 11/008
198/817

5,027,579 A * 7/1991 Keip B65B 11/008
53/133.3

5,285,891 A * 2/1994 Keip B65B 11/008
198/817

5,505,042 A * 4/1996 Keip B65B 11/008
226/196.1

(Continued)

Primary Examiner — Patricia A Palasik
(74) *Attorney, Agent, or Firm* — Fitch, Even, Tabin & Flannery LLP

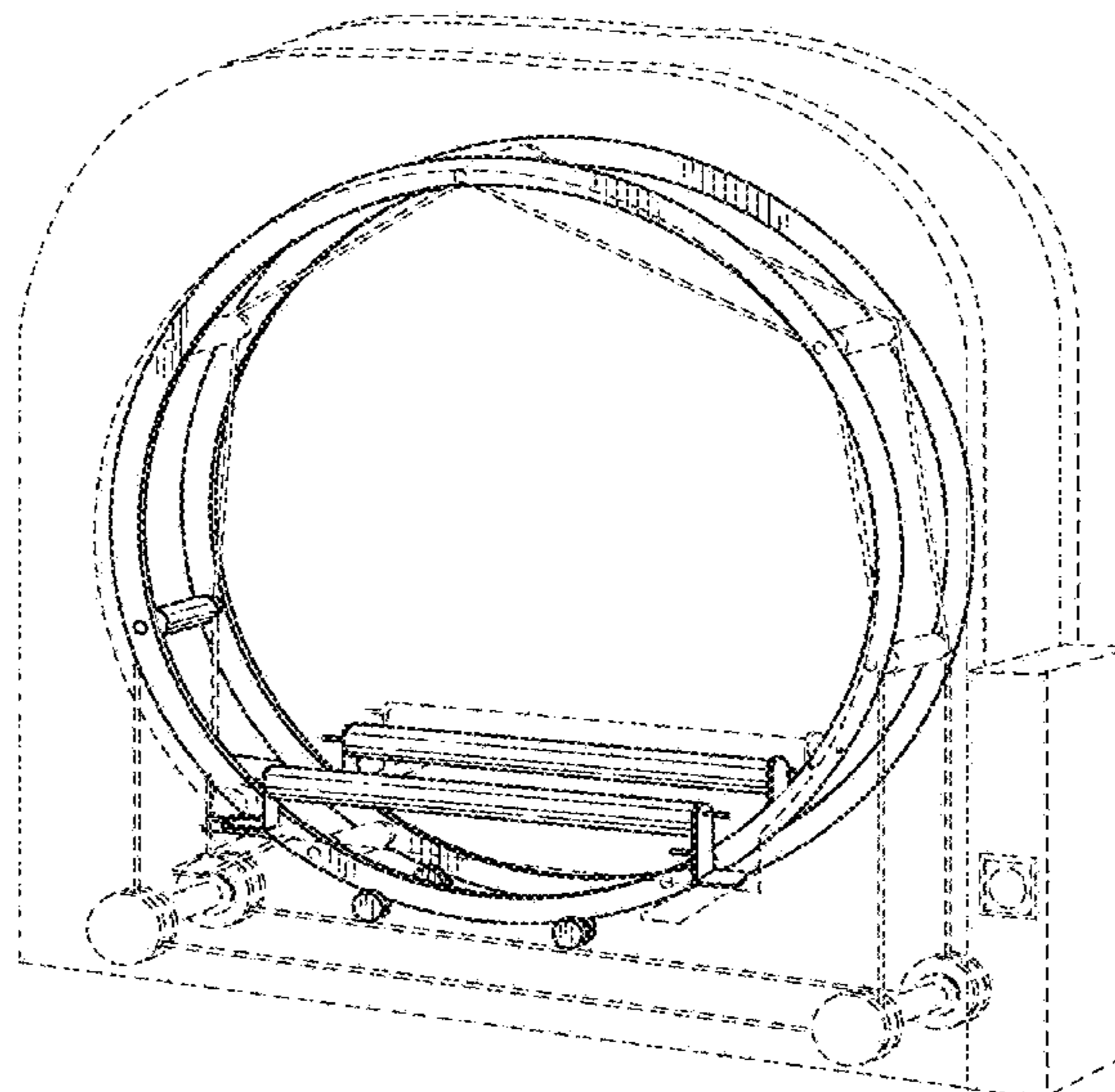
(57) **CLAIM**

I claim the ornamental design for a wrapping apparatus, as shown and described.

DESCRIPTION

FIG. 1 is a front perspective view of a wrapping apparatus in accordance with a first embodiment of our new design. FIG. 2 is a front elevation thereof. FIG. 3 is a top plan view thereof. FIG. 4 is a left side elevation thereof. FIG. 5 is a right side elevation thereof; and, FIG. 6 is a bottom plan view thereof. Any portions of the wrapping apparatus shown in broken lines in the figures depict unclaimed environmental subject matter and form no part of the claimed design.

1 Claim, 4 Drawing Sheets



(56)

References Cited

U.S. PATENT DOCUMENTS

5,531,061 A * 7/1996 Peterson A01F 15/071
53/133.8
6,470,657 B2 * 10/2002 Huson B65B 67/08
53/390
D488,822 S * 4/2004 Shibasaki D15/145
D552,642 S * 10/2007 Scheinman D15/145
D696,323 S * 12/2013 Hannen D15/145
2001/0029725 A1 * 10/2001 Suolahti B65B 11/025
53/589
2008/0168643 A1 * 7/2008 Albert B65B 11/04
29/402.08
2009/0235617 A1 * 9/2009 Moore B65B 11/006
53/461
2017/0006779 A1 * 1/2017 Keune A01F 15/0715
2017/0327260 A1 * 11/2017 Lancaster, III B65B 59/02

* cited by examiner

FIG. 1

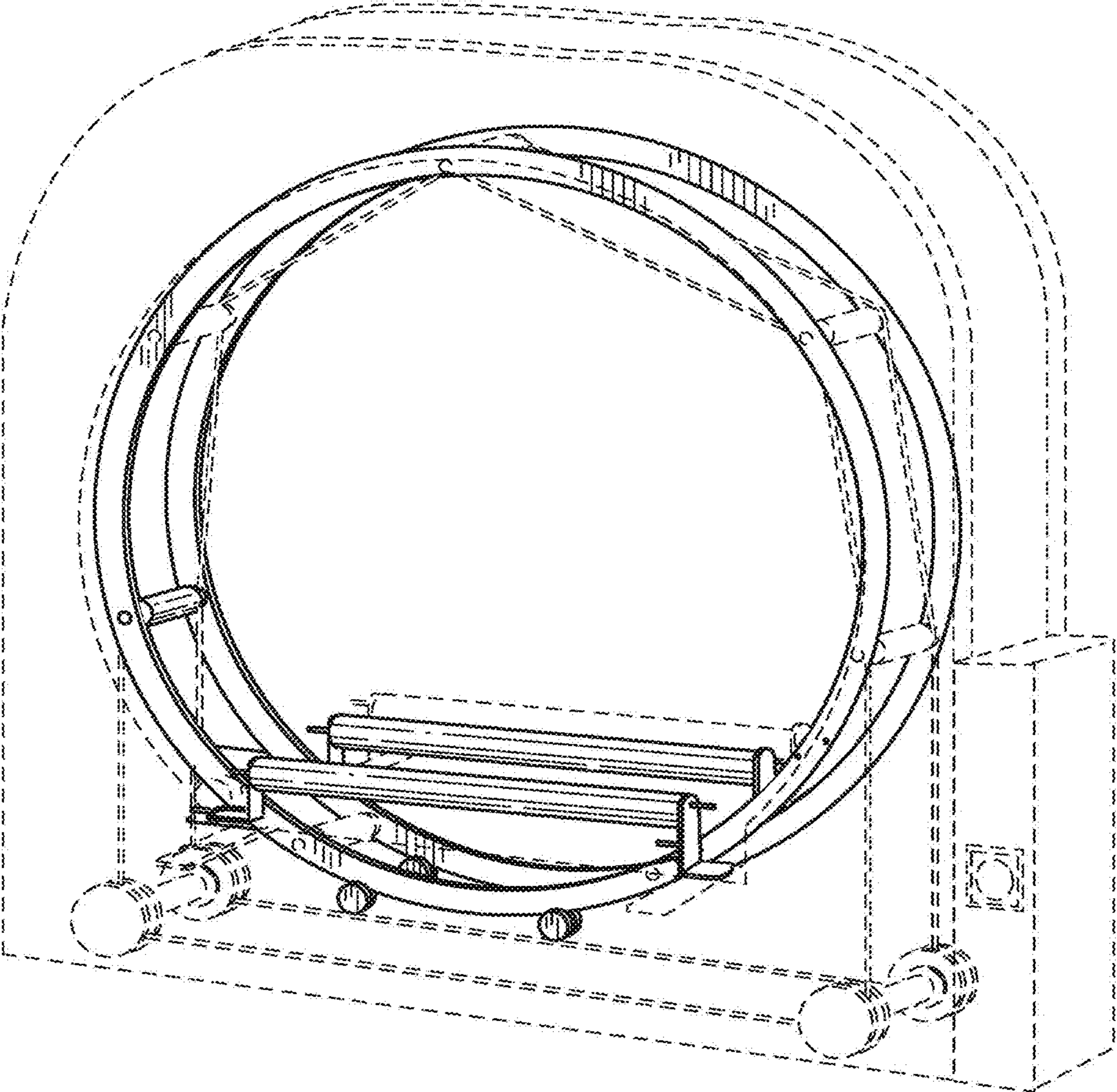


FIG. 2

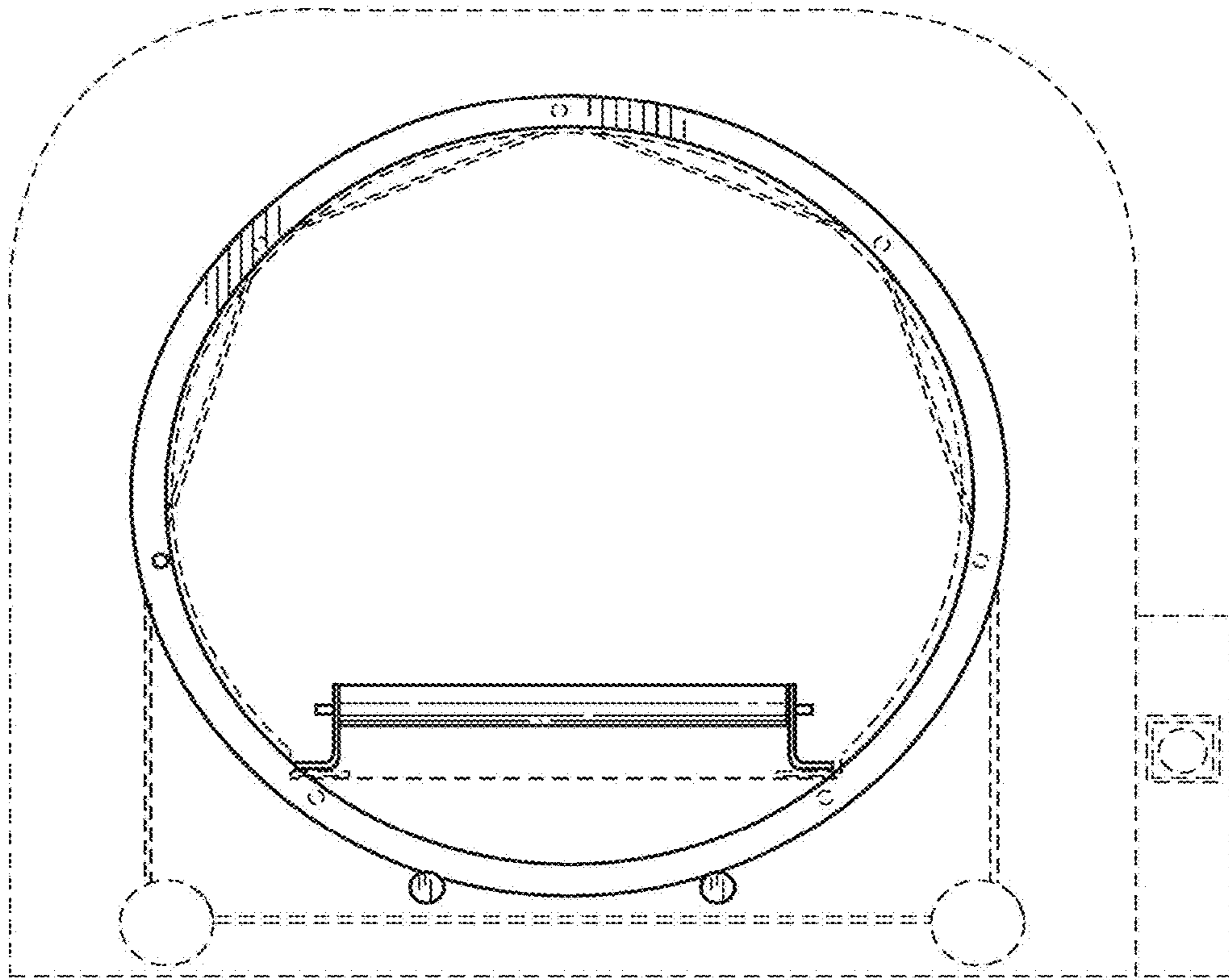


FIG. 3

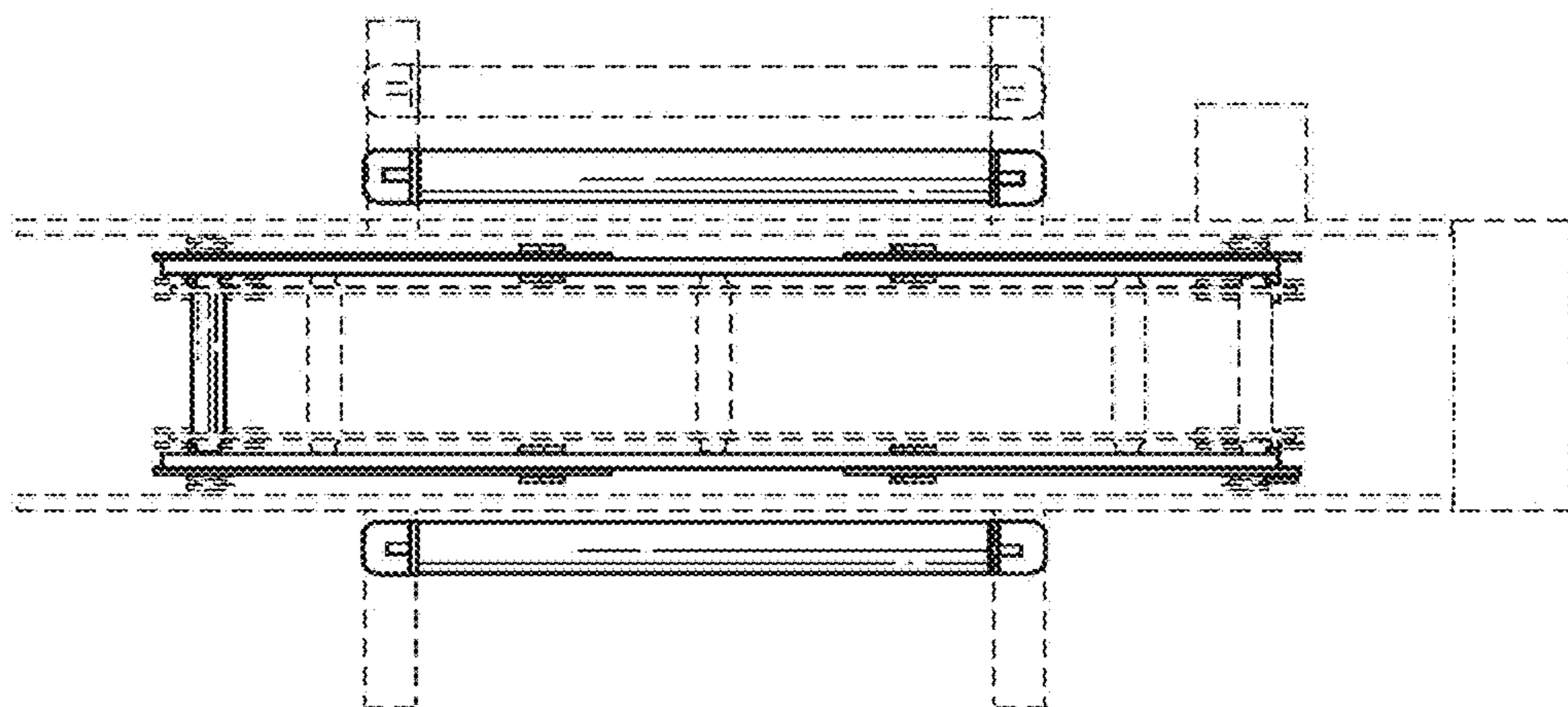


FIG. 4

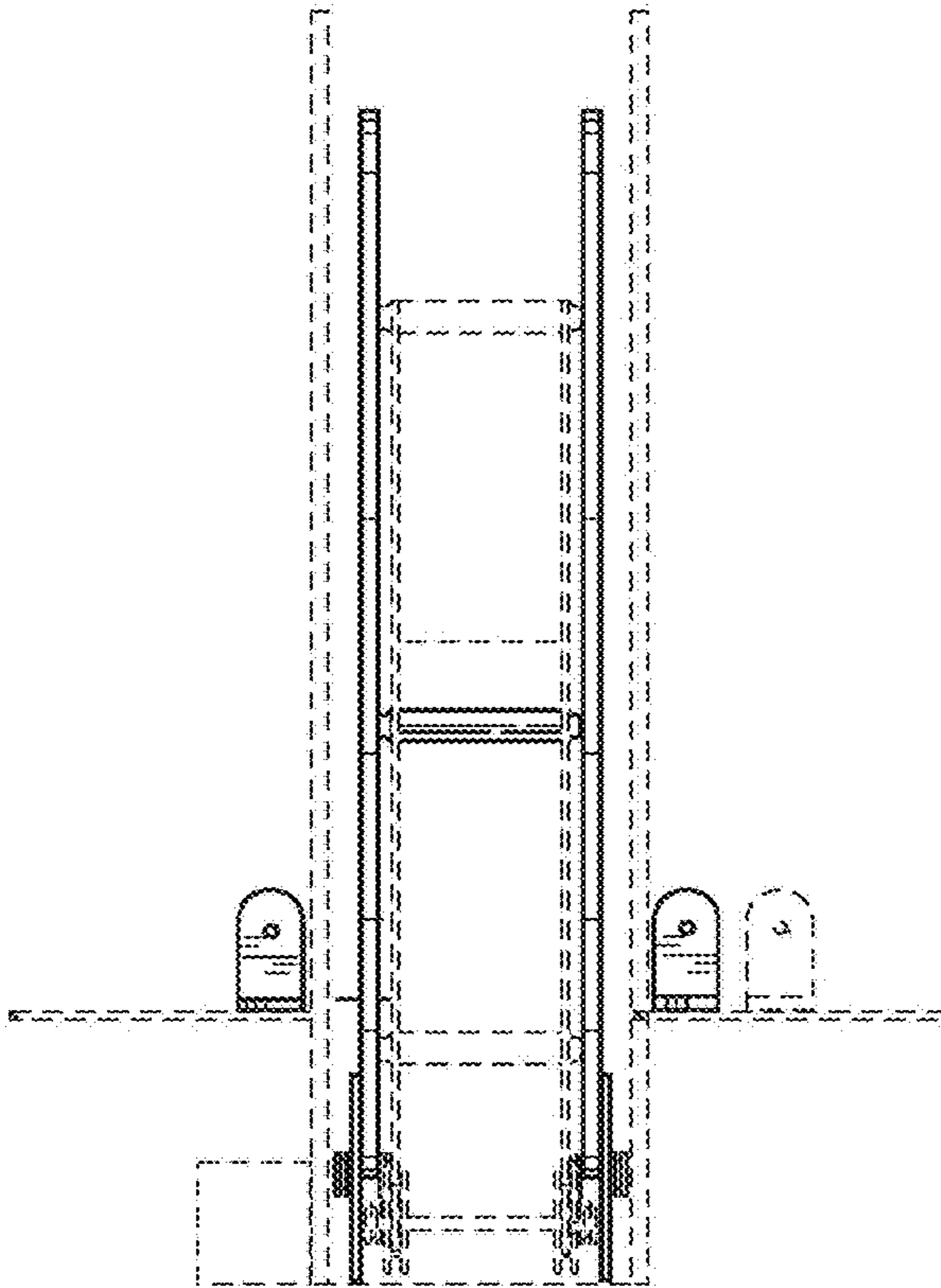


FIG. 5

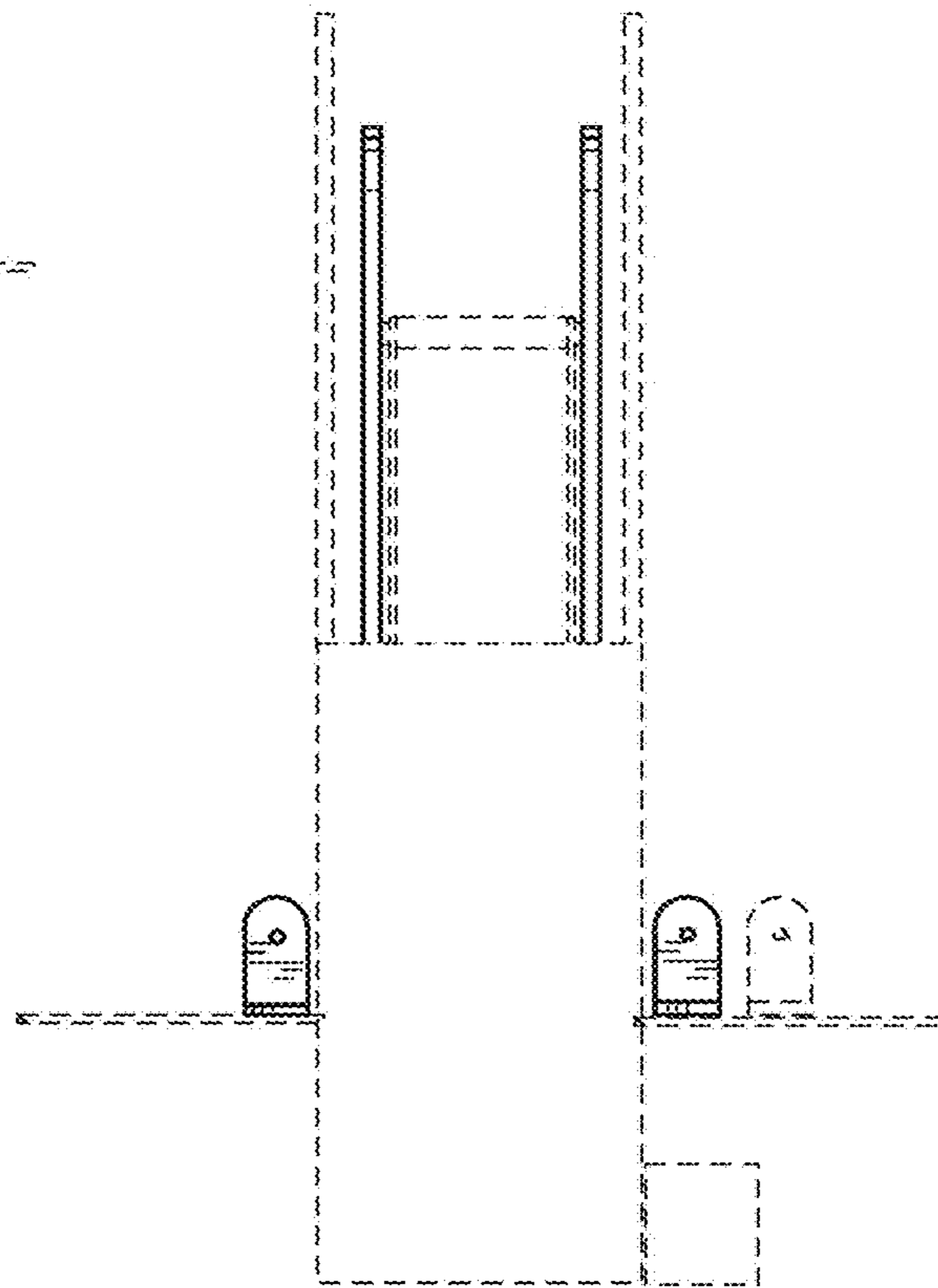


FIG. 6

