



US00D827000S

(12) **United States Design Patent**
VanLue

(10) **Patent No.:** **US D827,000 S**

(45) **Date of Patent:** **** Aug. 28, 2018**

- (54) **DOWNHOLE TOOL**
- (71) Applicant: **Downhole Technology, LLC**, Houston, TX (US)
- (72) Inventor: **Duke VanLue**, Tomball, TX (US)
- (73) Assignee: **Downhole Technology, LLC**, Houston, TX (US)
- (**) Term: **15 Years**
- (21) Appl. No.: **29/621,032**
- (22) Filed: **Oct. 4, 2017**

Related U.S. Application Data

- (63) Continuation of application No. 14/725,079, filed on May 29, 2015, now Pat. No. 9,976,382, which is a continuation of application No. 13/592,015, filed on Aug. 22, 2012, now Pat. No. 9,103,177.
- (60) Provisional application No. 61/526,217, filed on Aug. 22, 2011, provisional application No. 61/558,207, filed on Nov. 10, 2011.
- (51) **LOC (11) Cl.** **15-09**
- (52) **U.S. Cl.**
USPC **D15/138; D15/21**
- (58) **Field of Classification Search**
USPC **D8/70; D15/21, 138, 139**
CPC **E21B 4/02; E21B 10/5673; E21B 17/073**
See application file for complete search history.

(56) **References Cited**

U.S. PATENT DOCUMENTS

- 7,357,197 B2 * 4/2008 Schultz E21B 12/02
175/39
- D632,309 S * 2/2011 Coyle, Jr. D15/21
- D643,859 S * 8/2011 Drenth D15/21
- D673,182 S * 12/2012 Frazier D15/21
- D673,183 S * 12/2012 Frazier D15/21

- 8,627,901 B1 * 1/2014 Underwood E21B 7/14
175/107
- D762,737 S * 8/2016 Fitzhugh D15/21
- D763,324 S * 8/2016 Fitzhugh D15/21
- D786,645 S * 5/2017 Svendsen D15/139
- D803,910 S * 11/2017 Franzino B08B 9/055
D15/138
- 9,850,709 B2 * 12/2017 Ficken E21B 4/003
- D807,991 S * 1/2018 Fitzhugh D23/260
- 9,945,183 B2 * 4/2018 Schultz E21B 7/201
- D816,745 S * 5/2018 Hori D15/139
- 2002/0166703 A1 * 11/2002 Presley E21B 10/16
175/391
- 2008/0217062 A1 * 9/2008 Southard E21B 4/006
175/57
- 2011/0067889 A1 * 3/2011 Marya E21B 33/134
166/386
- 2011/0127044 A1 * 6/2011 Radford E21B 10/322
166/373

(Continued)

Primary Examiner — Patricia A Palasik

(74) *Attorney, Agent, or Firm* — Rao DeBoer Osterrieder, PLLC; John M. DeBoer

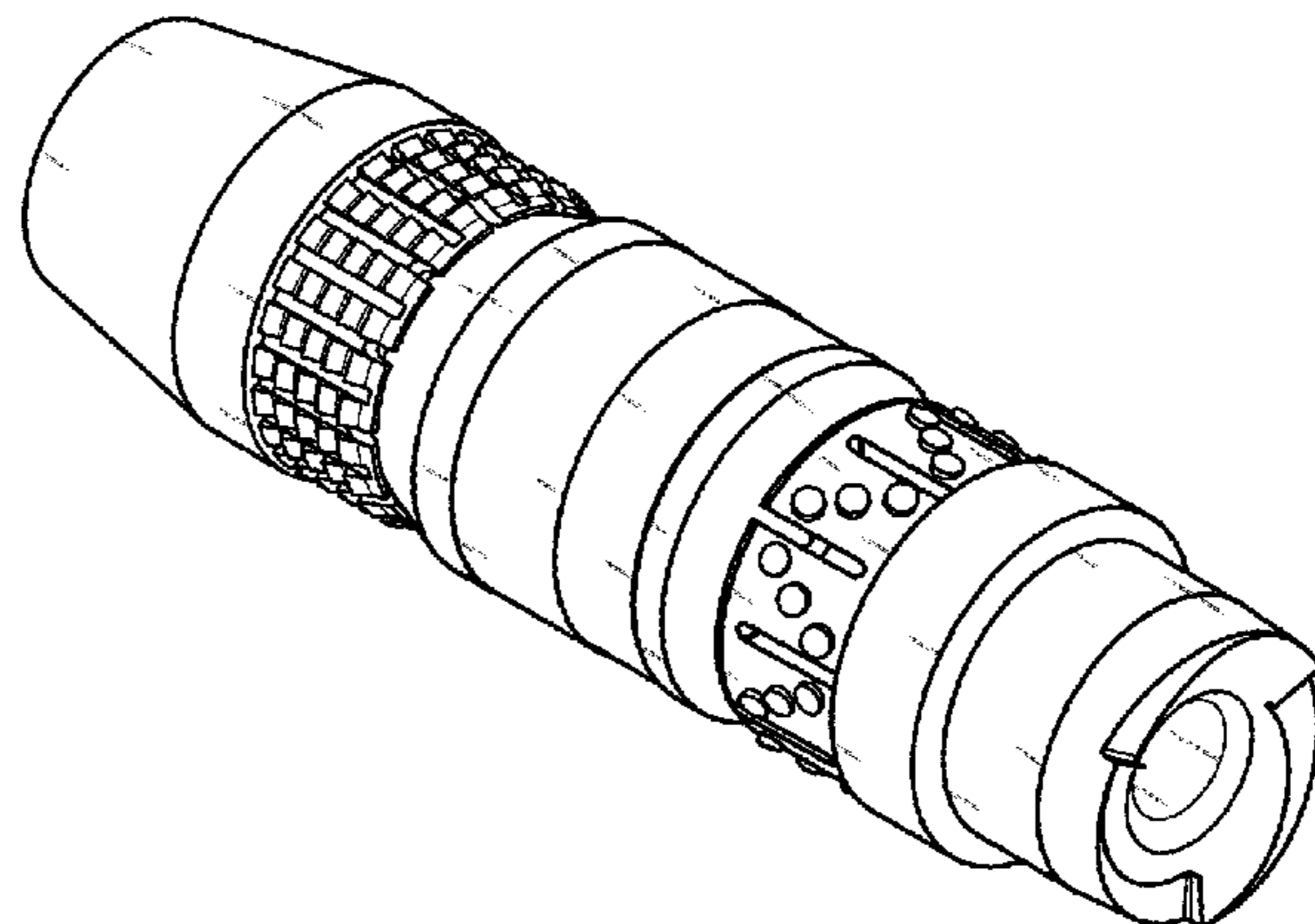
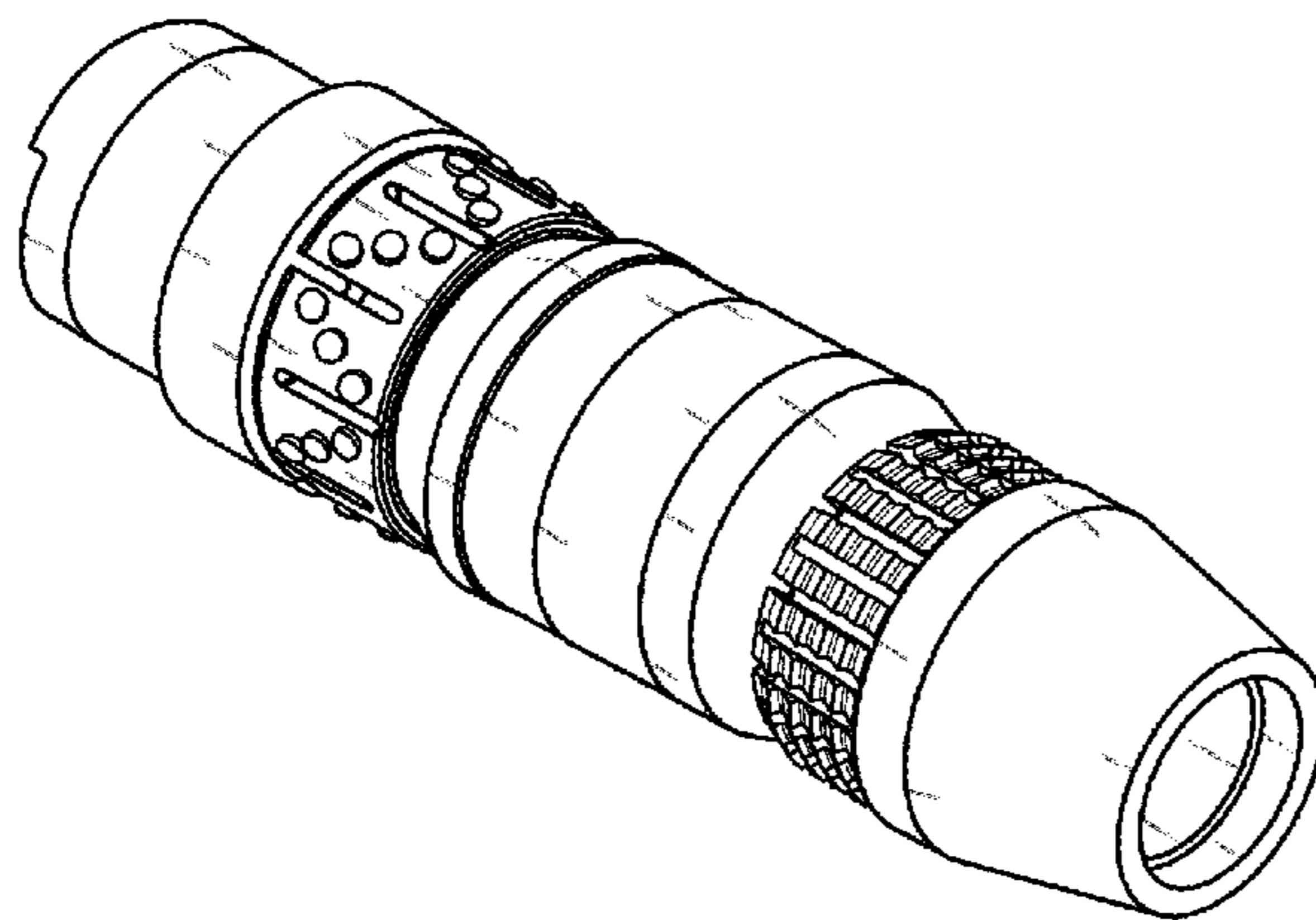
(57) **CLAIM**

The ornamental design for a downhole tool, as shown and described.

DESCRIPTION

FIG. 1 is a frontal isometric view of a downhole tool;
 FIG. 2 is a rearward isometric view of the downhole tool of FIG. 1;
 FIG. 3 is a first longitudinal side view of the downhole tool of FIG. 1,
 FIG. 4 is a second, opposite longitudinal side view of the downhole tool of FIG. 1;
 FIG. 5 is a lateral front-side view of the downhole tool of FIG. 1; and,
 FIG. 6 is a lateral rear-side, view of the downhole, tool of FIG. 1.

1 Claim, 2 Drawing Sheets



(56)

References Cited

U.S. PATENT DOCUMENTS

2012/0006532 A1* 1/2012 Frazier E21B 33/129
166/196
2013/0292119 A1* 11/2013 Hilliard E21B 33/129
166/285
2014/0262277 A1* 9/2014 Meeks E21B 23/006
166/301
2016/0290049 A1* 10/2016 Kedare E21B 4/02
2016/0312534 A1* 10/2016 Ficken E21B 4/003
2017/0096860 A1* 4/2017 Zhou E21B 12/00
2017/0204684 A1* 7/2017 Cravatte E21B 17/073
2017/0335629 A1* 11/2017 Radford E21B 49/003
2017/0342773 A1* 11/2017 Keiser E21B 4/02
2017/0342788 A1* 11/2017 Wesson E21B 21/08
2018/0051518 A1* 2/2018 Tonti E21B 7/24
2018/0073299 A1* 3/2018 Gharib E21B 4/003
2018/0100354 A1* 4/2018 Schultz E21B 17/046

* cited by examiner

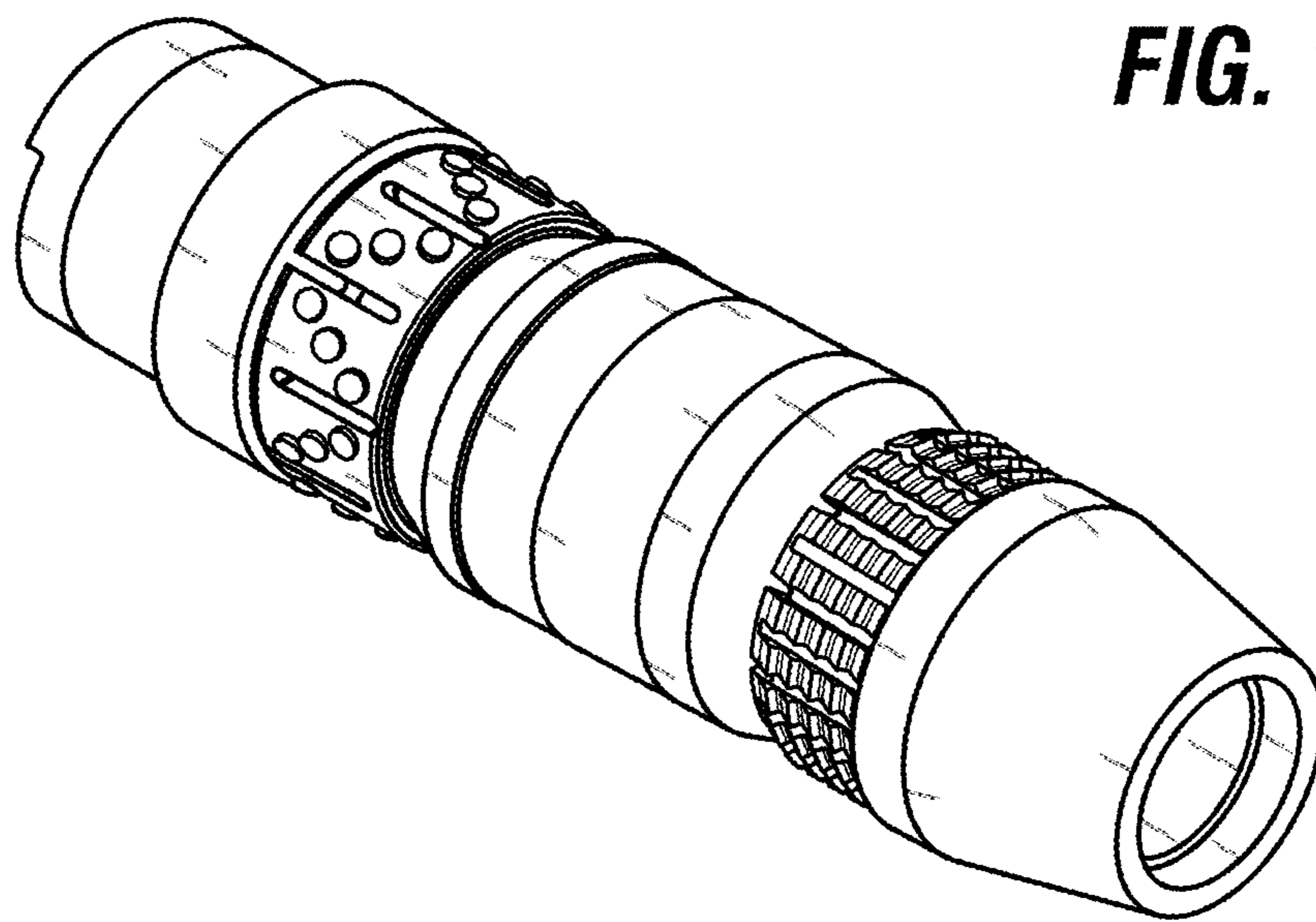


FIG. 1

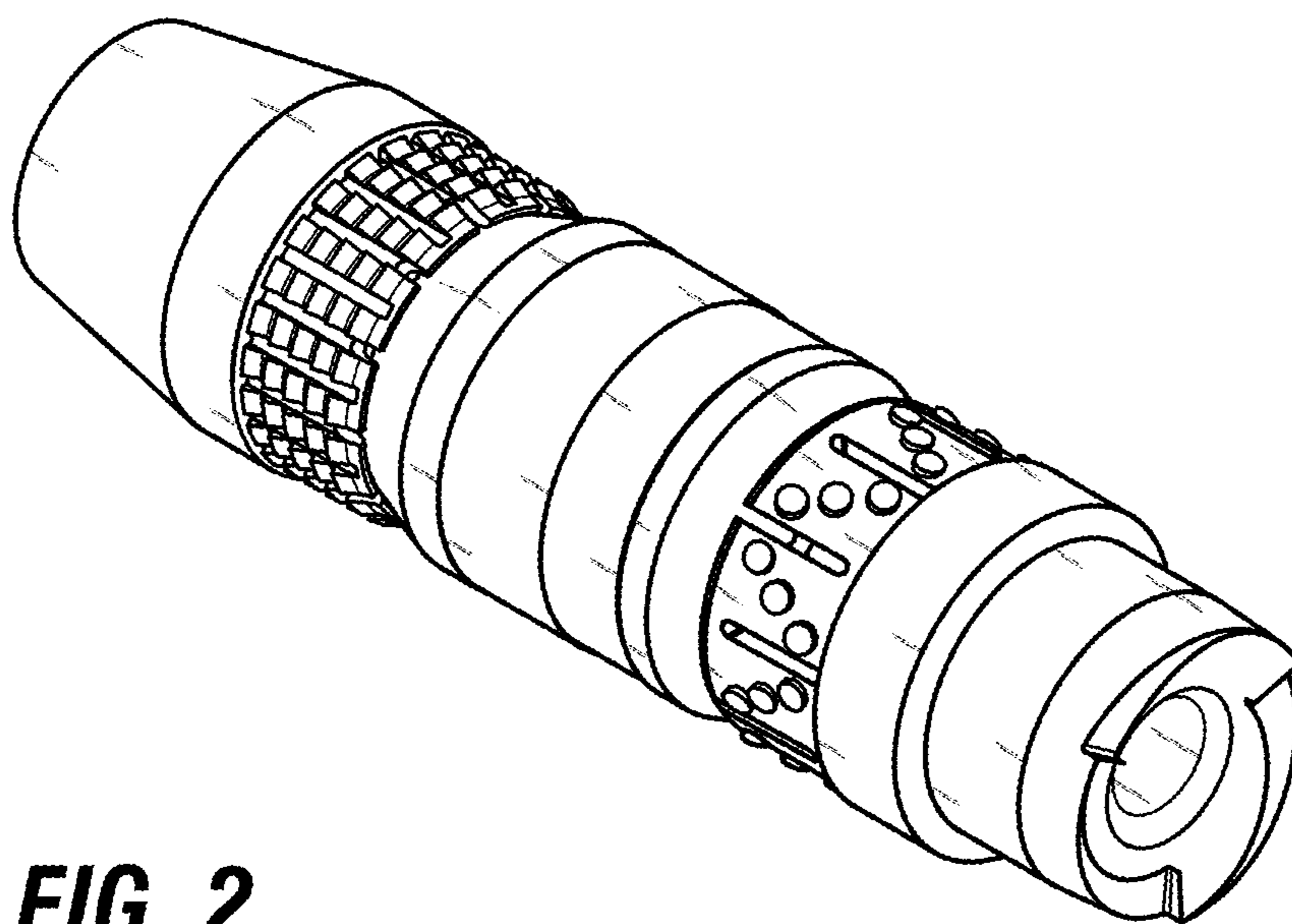


FIG. 2

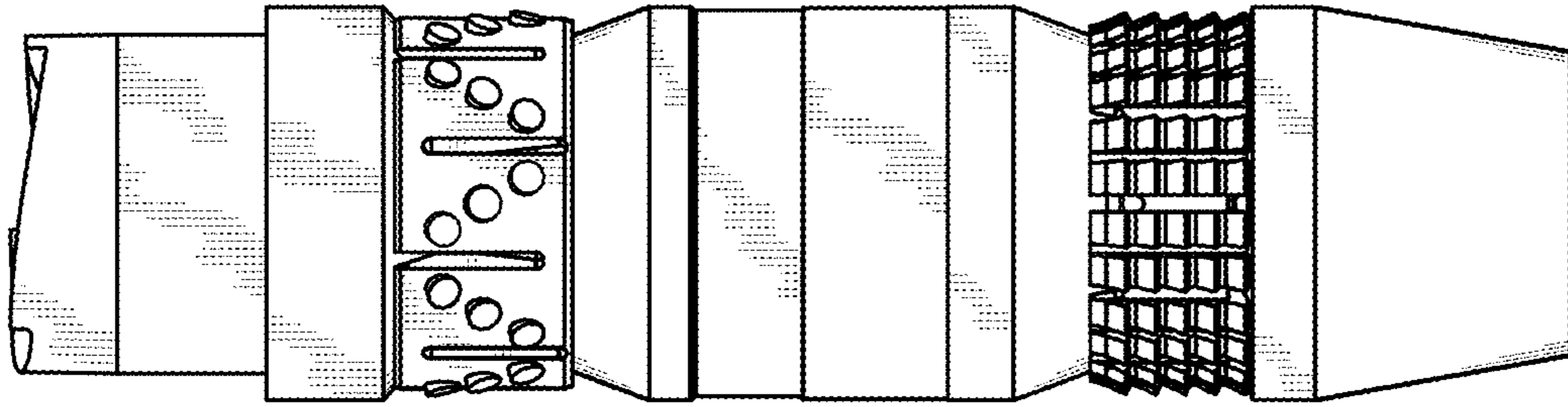


FIG. 3

FIG. 4

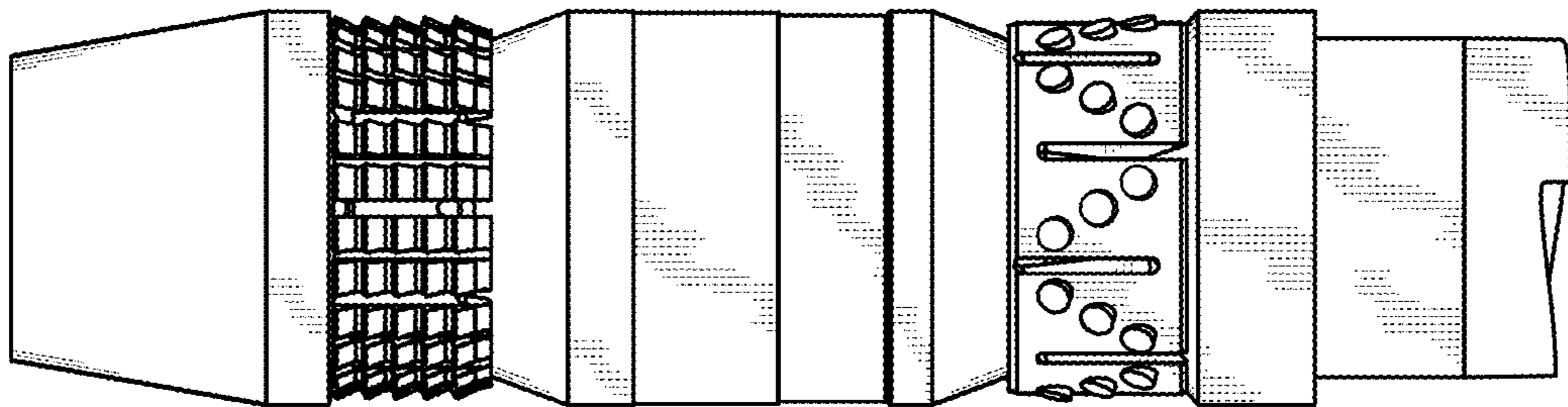


FIG. 5

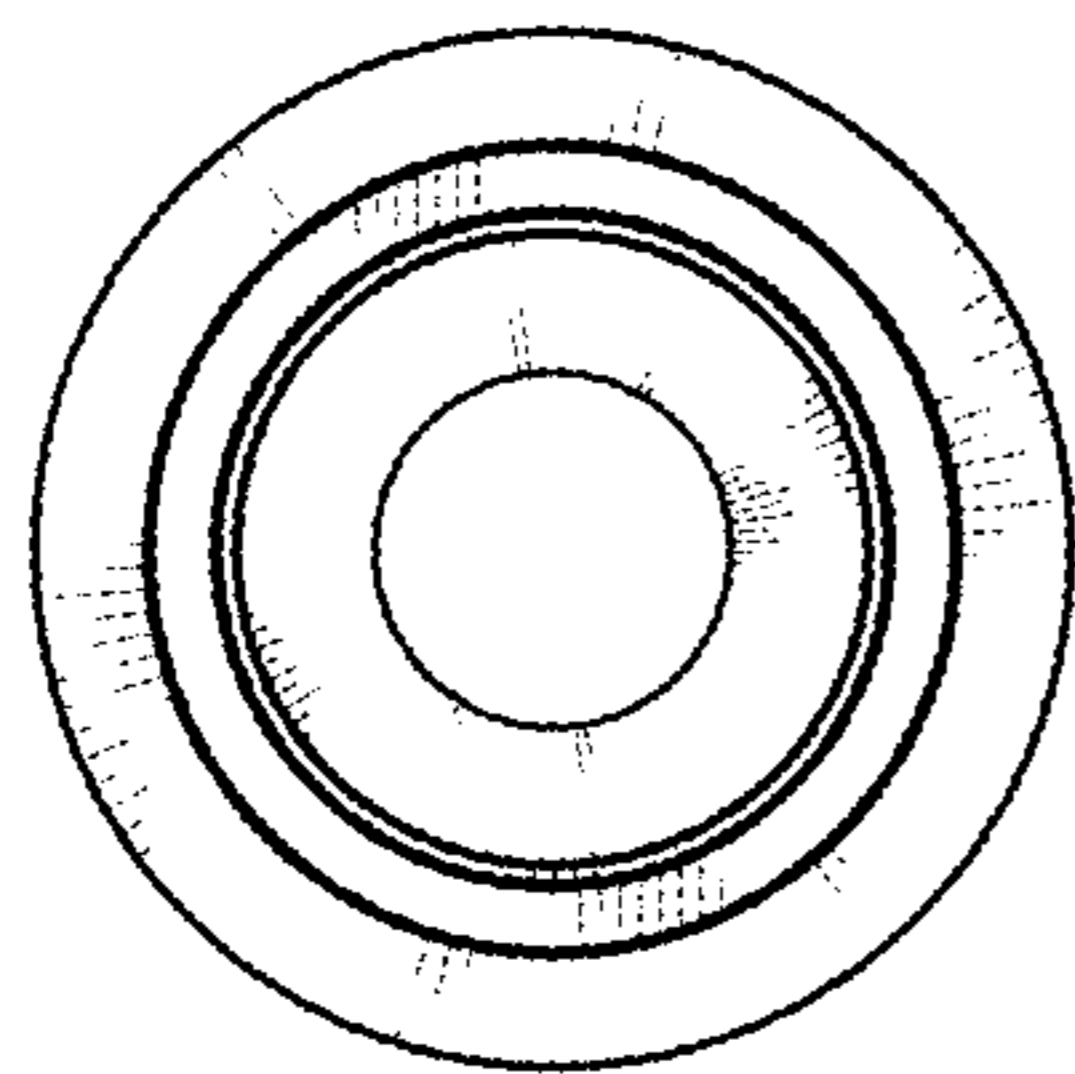


FIG. 6

