

US00D826999S

(12) **United States Design Patent**  
**Yan et al.**

(10) **Patent No.:** **US D826,999 S**

(45) **Date of Patent:** **\*\* Aug. 28, 2018**

(54) **MANUAL HEAT PRESS MACHINE**

(71) Applicant: **Citta International LLC**, Bellevue,  
WA (US)

(72) Inventors: **Jun Yan**, Shenzhen (CN); **Bo Li**,  
Basking Ridge, NJ (US)

(73) Assignee: **Citta International LLC**, Bellevue,  
WA (US)

(\*\*) Term: **15 Years**

(21) Appl. No.: **29/596,332**

(22) Filed: **Mar. 7, 2017**

(51) **LOC (11) Cl.** ..... **15-09**

(52) **U.S. Cl.**  
USPC ..... **D15/123**

(58) **Field of Classification Search**  
USPC ..... D15/122, 123, 128, 132, 146  
CPC .. B32B 37/06; B32B 37/0053; B32B 2309/02  
See application file for complete search history.

(56) **References Cited**

**U.S. PATENT DOCUMENTS**

- 1,466,714 A \* 9/1923 Harnden ..... B41F 1/22  
101/3.1
- D154,667 S \* 8/1949 Denison, Jr. .... D15/123
- D156,333 S \* 12/1949 Goldberg ..... D15/123
- 2,512,246 A \* 6/1950 Fishburne ..... B30B 15/047  
100/231
- 2,550,973 A \* 5/1951 Corcoran ..... F42B 33/10  
86/24
- D179,813 S \* 3/1957 Munschauer ..... D15/123
- D179,814 S \* 3/1957 Munschauer ..... D15/123
- D198,473 S \* 6/1964 Finke ..... D15/146
- D201,392 S \* 6/1965 Cooper ..... D15/146
- D206,729 S \* 1/1967 Finke ..... D15/146
- 3,465,410 A \* 9/1969 Swanstrom ..... B21J 15/22  
29/243.5

- D218,784 S \* 9/1970 Finke ..... D15/146
- D220,211 S \* 3/1971 Edstrom et al. .... D15/122
- 3,885,411 A \* 5/1975 Szeliga ..... B21J 13/08  
470/17
- D237,745 S \* 11/1975 Pierce ..... D15/146
- D250,340 S \* 11/1978 Douglas ..... D15/146
- D255,454 S \* 6/1980 Westlund ..... D15/146
- D255,575 S \* 6/1980 Pearson ..... D15/123
- 4,257,321 A \* 3/1981 Wheeler ..... B30B 9/04  
100/219
- D270,251 S \* 8/1983 Spainhour ..... D15/123
- 4,502,379 A \* 3/1985 Sato ..... B21J 13/04  
100/214
- 6,076,455 A \* 6/2000 Geise ..... B30B 9/321  
100/258 A
- D457,177 S \* 5/2002 Hsu ..... D15/146
- D518,494 S \* 4/2006 Rapp ..... D15/123
- 2003/0074948 A1 \* 4/2003 Kanamaru ..... B30B 15/04  
72/455

(Continued)

*Primary Examiner* — Patricia A Palasik

(74) *Attorney, Agent, or Firm* — Perkins Coie LLP

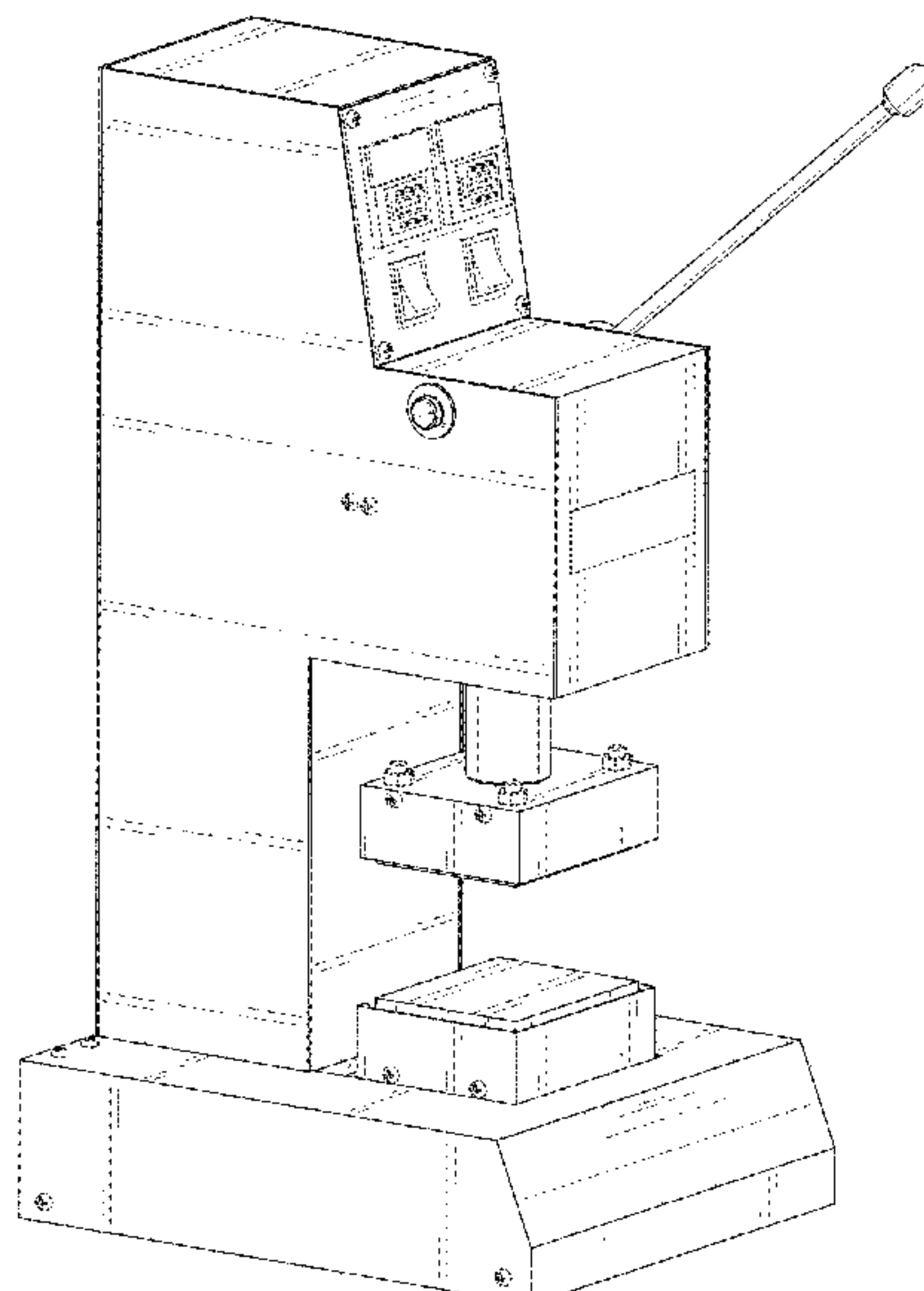
(57) **CLAIM**

The ornamental design for a manual heat press machine, as shown and described.

**DESCRIPTION**

FIG. 1 is an isometric view of an embodiment of the manual heat press machine.  
 FIG. 2 is a front view thereof.  
 FIG. 3 is a back view thereof.  
 FIG. 4 is a left side view thereof.  
 FIG. 5 is a right side view thereof.  
 FIG. 6 is a top view thereof; and,  
 FIG. 7 is a bottom view thereof.  
 Elements identified in broken lines in the accompanying drawings form no part of the claimed invention.

**1 Claim, 7 Drawing Sheets**



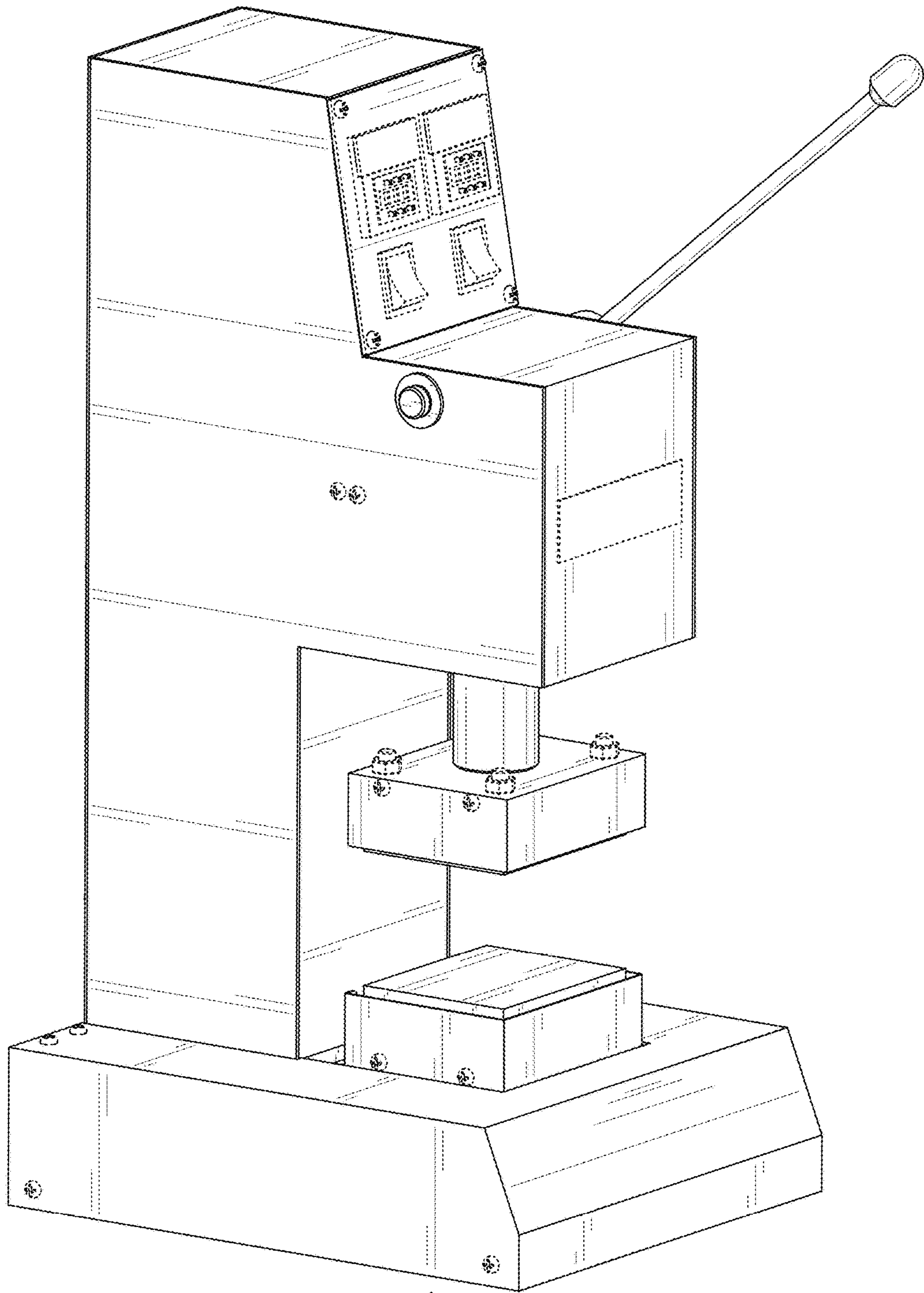
(56)

**References Cited**

U.S. PATENT DOCUMENTS

2008/0196836 A1\* 8/2008 Woods ..... B30B 1/12  
156/367  
2010/0263788 A1\* 10/2010 Lahood ..... B32B 37/0046  
156/228  
2015/0122425 A1\* 5/2015 Hsiao ..... B30B 15/028  
156/583.1  
2017/0314177 A1\* 11/2017 Komiya ..... D06C 15/10

\* cited by examiner



*Fig. 1*

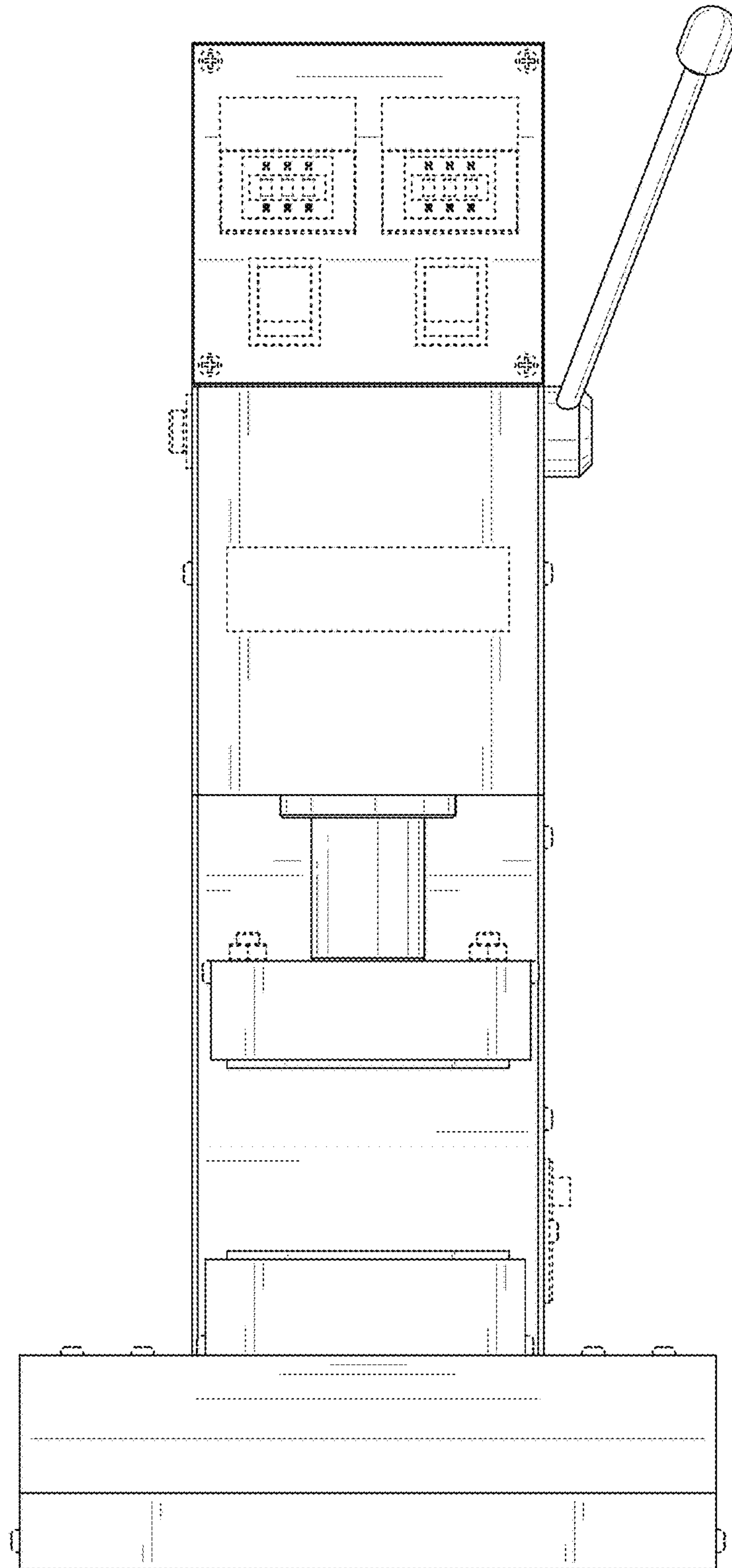


Fig. 2

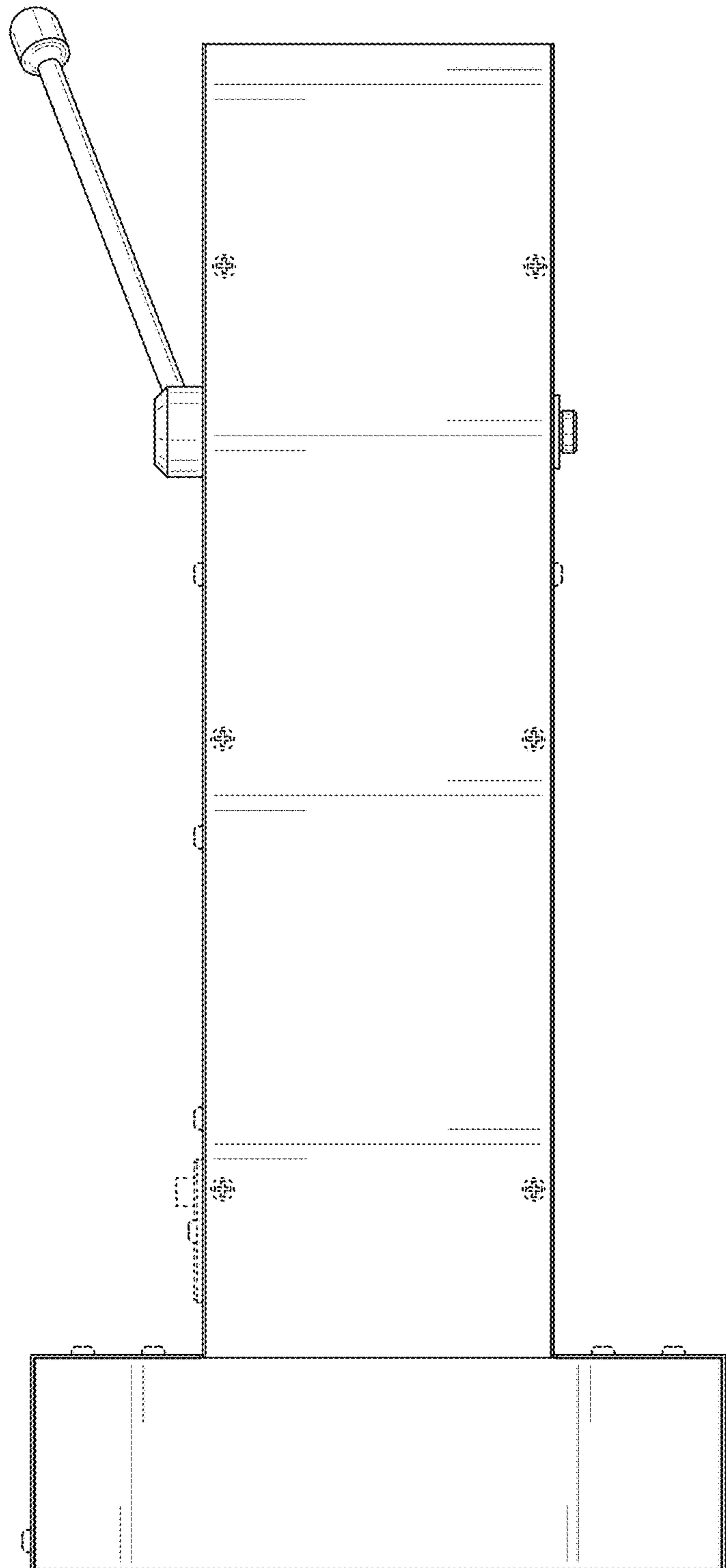


Fig. 3



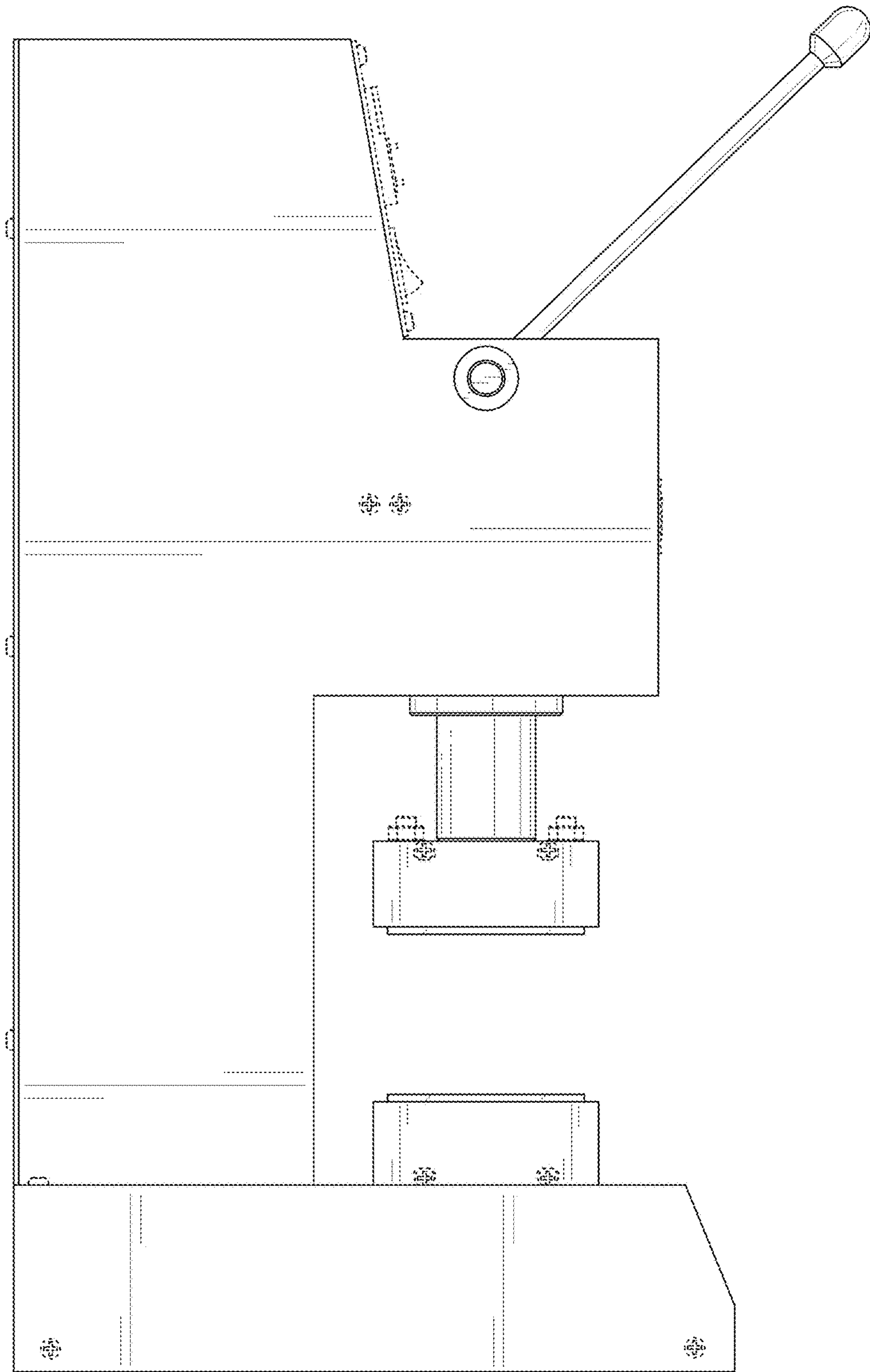


Fig. 4

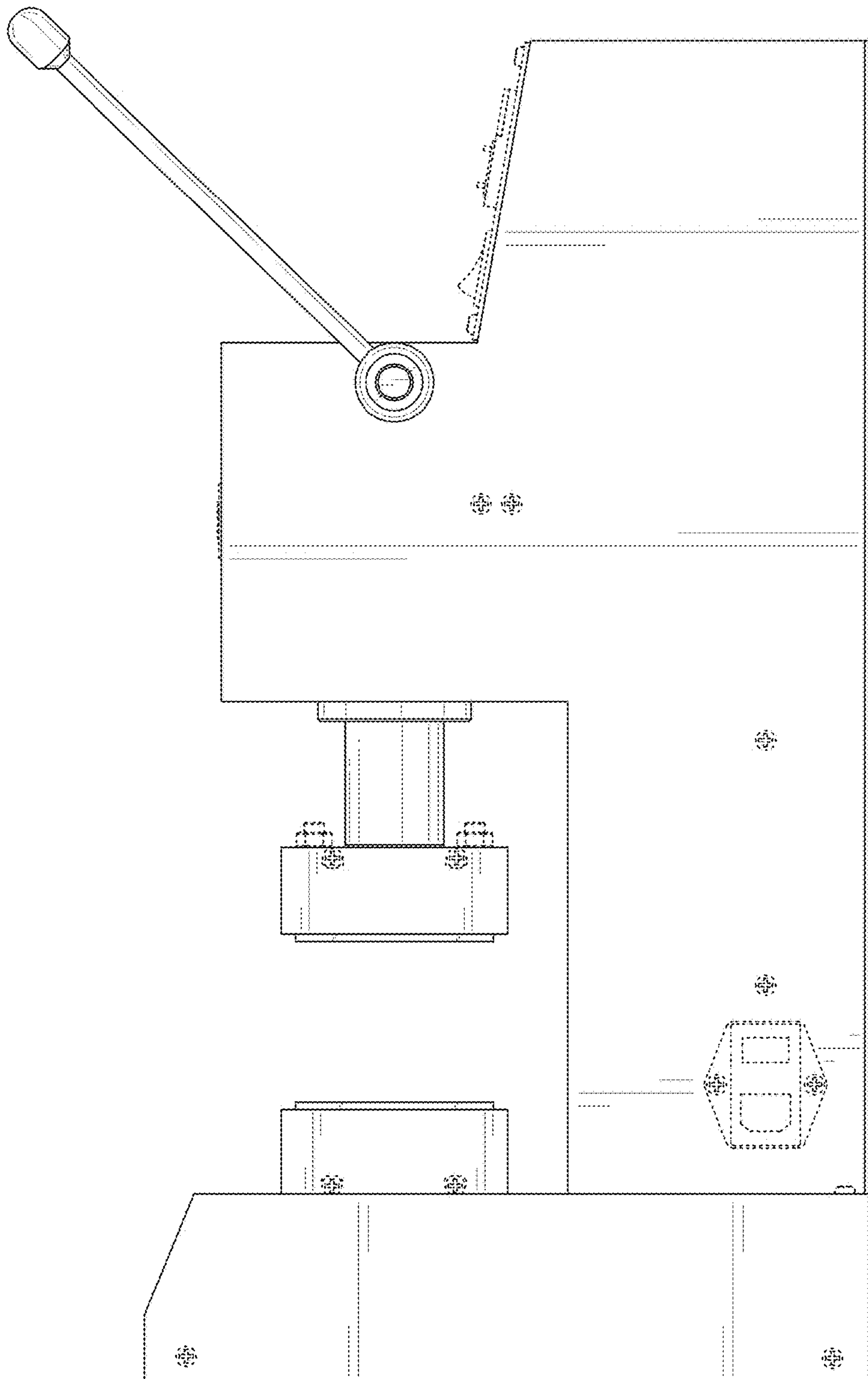
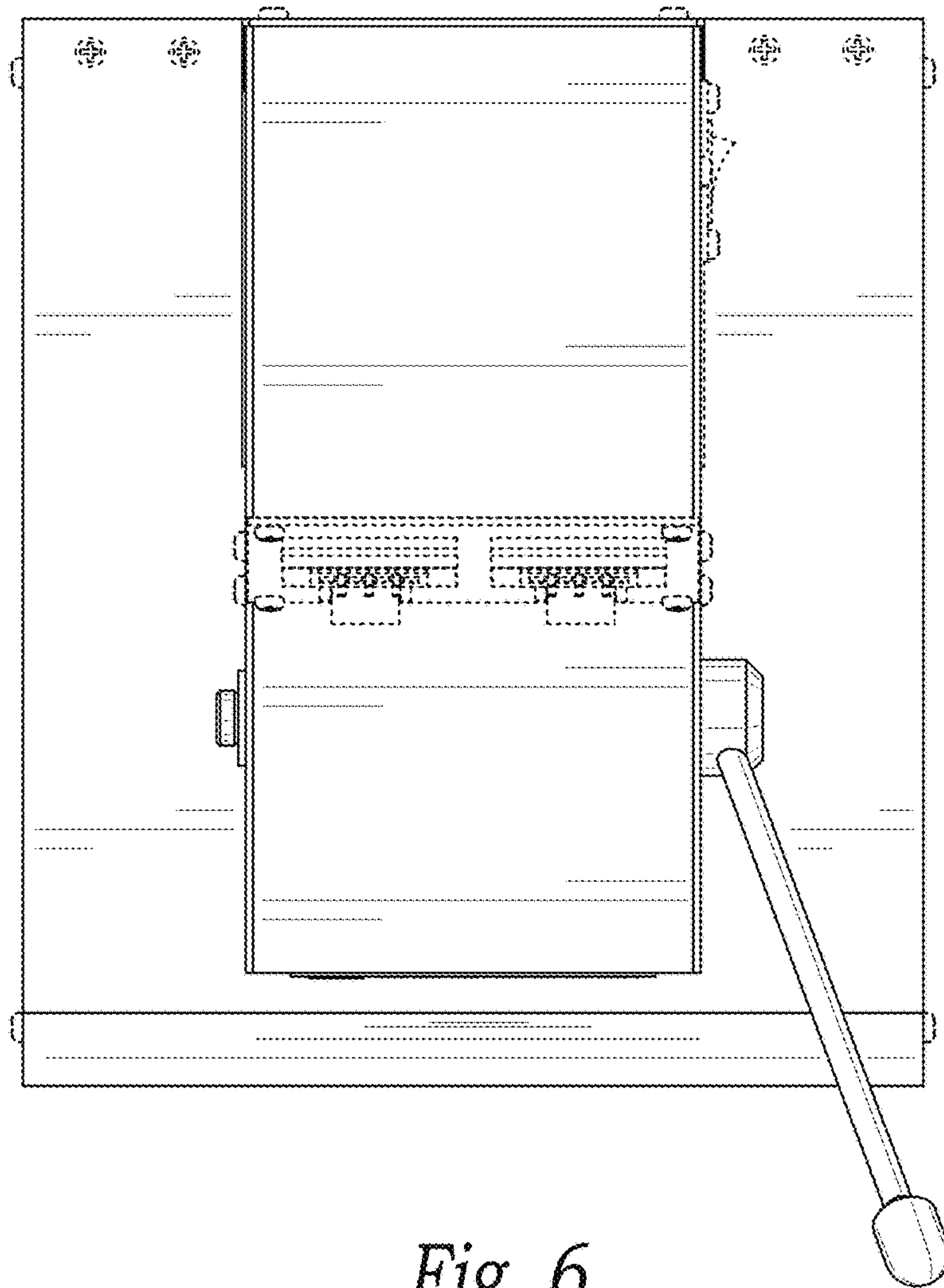


Fig. 5



*Fig. 6*



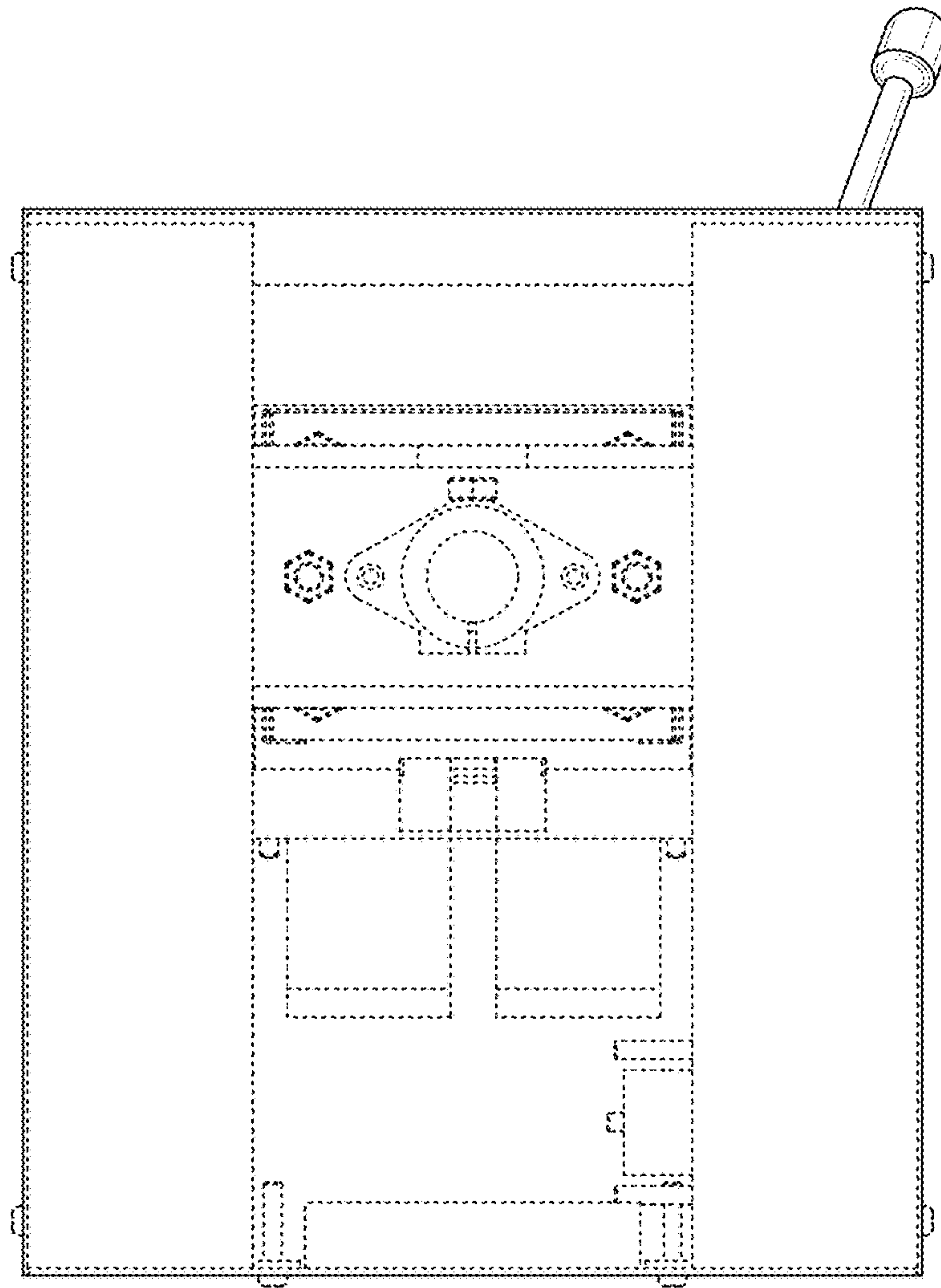


Fig. 7