



US00D826997S

(12) **United States Design Patent** (10) **Patent No.:** **US D826,997 S**  
**Lee et al.** (45) **Date of Patent:** **\*\* Aug. 28, 2018**

(54) **REFRIGERATOR**

2317/0664; F25D 2321/147; F25D 2323/02; F25D 2323/023

(71) Applicant: **LG ELECTRONICS INC.**, Seoul (KR)

See application file for complete search history.

(72) Inventors: **Daesung Lee**, Seoul (KR); **Jihyun Lee**, Seoul (KR); **Hyungki Kim**, Seoul (KR)

(56) **References Cited**

U.S. PATENT DOCUMENTS

(73) Assignee: **LG ELECTRONICS INC.**, Seoul (KR)

D615,565 S *	5/2010	Kristiansen	.....	D15/86
D629,022 S *	12/2010	Cho	.....	D15/85
D656,967 S *	4/2012	Yi	.....	D15/86
D673,189 S *	12/2012	Kwak	.....	D15/86
D681,075 S *	4/2013	Yi	.....	D15/86
D691,644 S *	10/2013	Cho	.....	D15/86
D701,539 S *	3/2014	Saejin	.....	D15/85
D702,739 S *	4/2014	Kim	.....	D15/86
D724,629 S *	3/2015	Choi	.....	D15/85

(\*\*) Term: **15 Years**

(Continued)

(21) Appl. No.: **35/502,967**

(22) Filed: **Nov. 9, 2016**

*Primary Examiner* — Richard E Chilcot

(80) **Hague Agreement Data**

Int. Filing Date: **Nov. 9, 2016**

(74) *Attorney, Agent, or Firm* — Birch, Stewart, Kolasch & Birch, LLP

Int. Reg. No.: **DM/093520**

Int. Reg. Date: **Nov. 9, 2016**

Int. Reg. Pub. Date: **May 12, 2017**

(57) **CLAIM**

The ornamental design for a refrigerator, as shown and described.

(30) **Foreign Application Priority Data**

Jun. 7, 2016 (KR) ..... 30-2016-0027441

**DESCRIPTION**

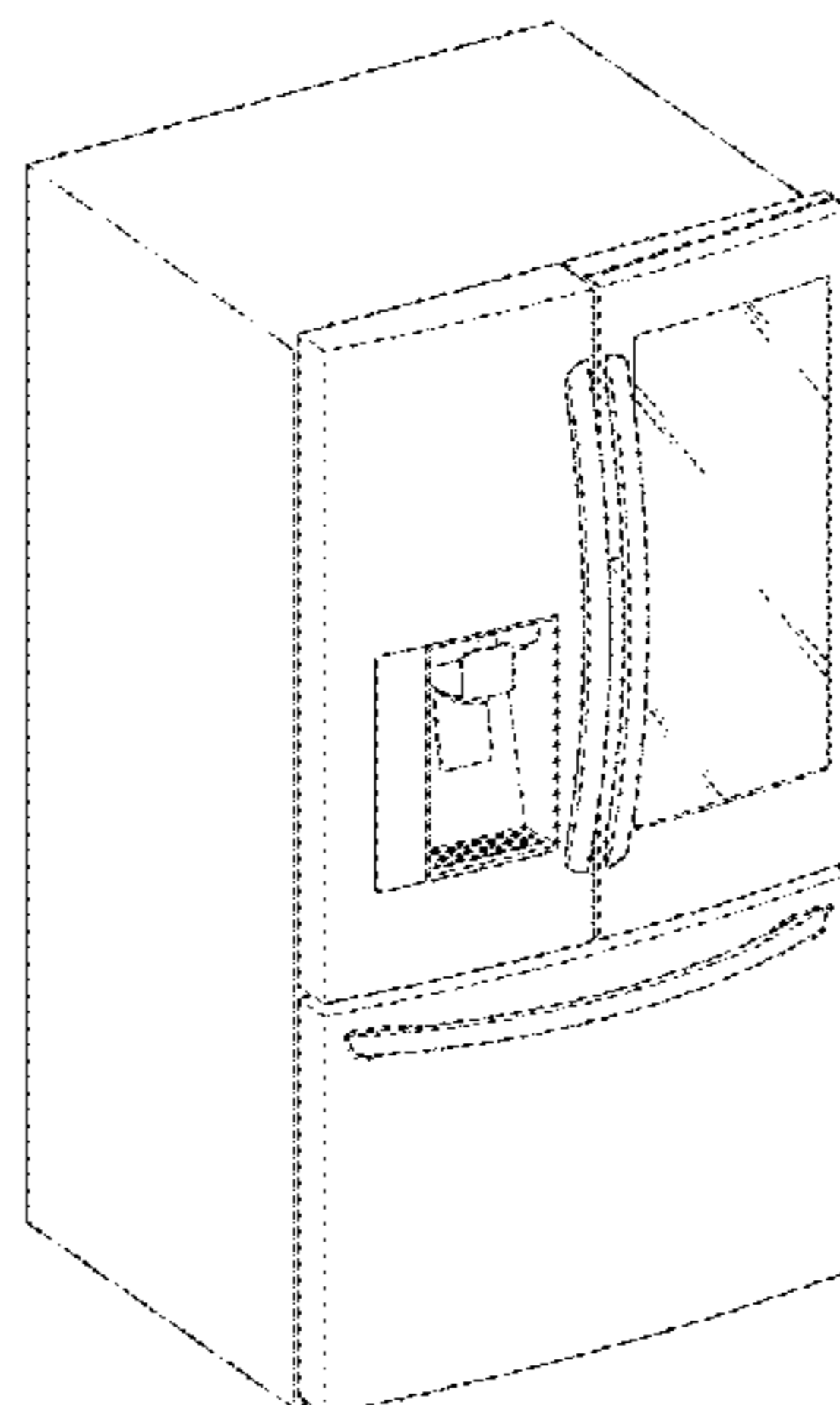
(51) **LOC (11) Cl.** ..... **15-07**

(52) **U.S. Cl.**  
USPC ..... **D15/91**  
CPC ..... **F25D 25/025** (2013.01)

(58) **Field of Classification Search**  
USPC ..... D15/79-91  
CPC ..... F25D 25/025; F25D 23/028; F25D 2323/024; F25D 23/00; F25D 23/02; F25D 2323/021; F25D 23/065; F25D 11/00; F25D 2201/14; F25D 23/021; F25D 23/025; F25D 23/04; F25D 27/00; F25D 23/062; F25D 23/067; F25D 2400/18; F25D 23/08; F25D 23/085; F25D 2500/02; F25D 25/00; F25D 25/005; F25D 25/022; F25D 25/024; F25D 17/047; F25D 2317/041; F25D 2317/04131; F25D 2317/043; F25D

1. Refrigerator
- 1.1 is a perspective view of a refrigerator showing my new design;
- 1.2 is a front elevation view thereof;
- 1.3 is a rear elevation view thereof;
- 1.4 is a left-side elevation view thereof;
- 1.5 is a right-side elevation view thereof;
- 1.6 is a top plan view thereof;
- 1.7 is a bottom plan view thereof;
- 1.8 is another perspective view thereof, wherein the inside of the right outer door is seen through a 'see-through' type of window.
- 1.9 is another perspective view thereof, wherein the right outer door is in an opened position; and
- 1.10 is another perspective view thereof, wherein each of the right inner and outer doors is in an opened position. The

(Continued)



broken lines shown are included for the purpose of illustrating unclaimed portions of the refrigerator and form no part of the claimed design.

**1 Claim, 10 Drawing Sheets**

(56)

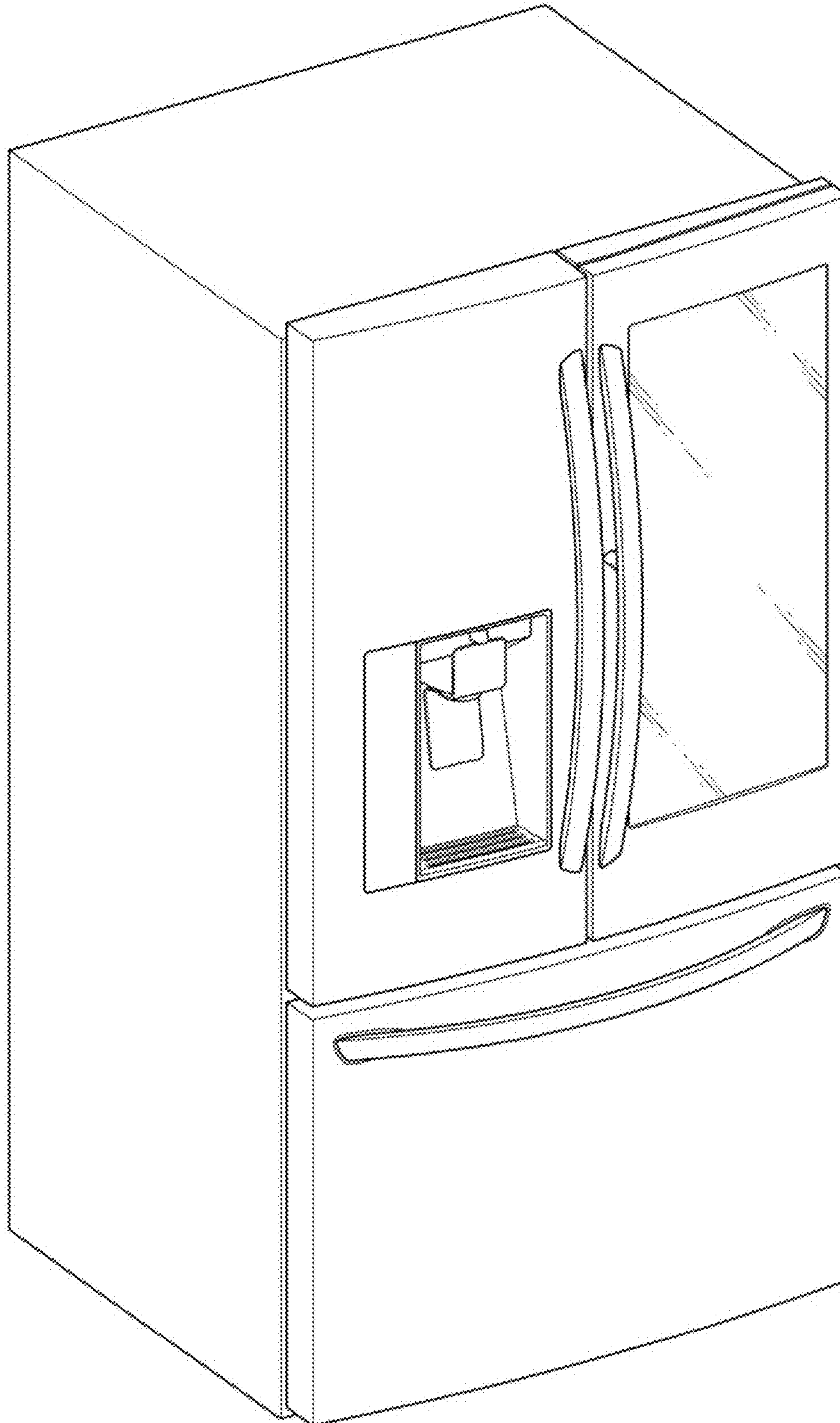
**References Cited**

U.S. PATENT DOCUMENTS

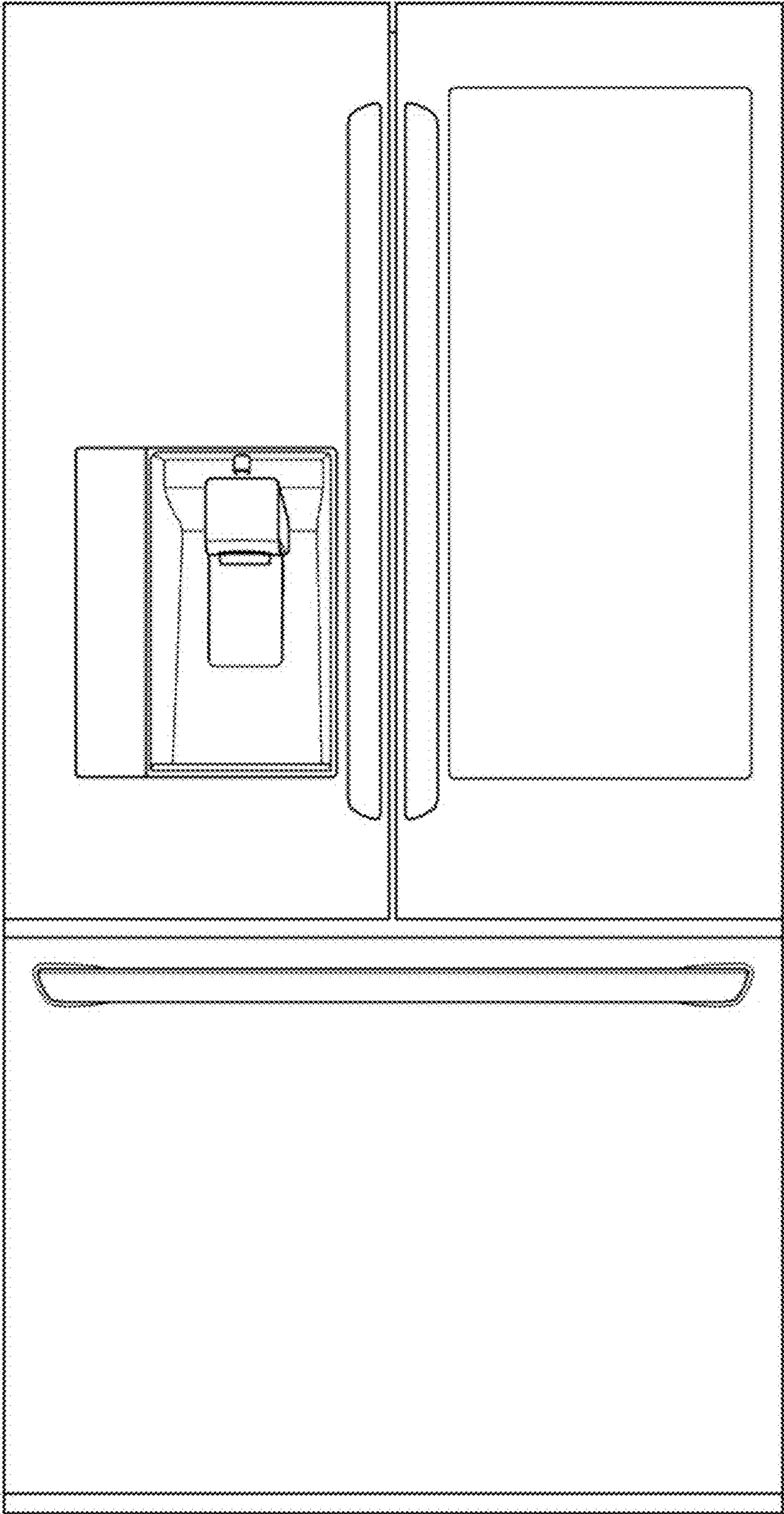
D729,286 S *	5/2015	Kwak .....	D15/85
D732,584 S *	6/2015	Sin .....	D15/86
D742,434 S *	11/2015	Yeo .....	D15/86
D767,648 S *	9/2016	Shoemaker .....	D15/86
D806,763 S *	1/2018	Cho .....	D15/86
D807,410 S *	1/2018	Cho .....	D15/86
D812,650 S *	3/2018	Kim .....	D15/91
D812,651 S *	3/2018	Kim .....	D15/91
D812,652 S *	3/2018	Kim .....	D15/91

\* cited by examiner

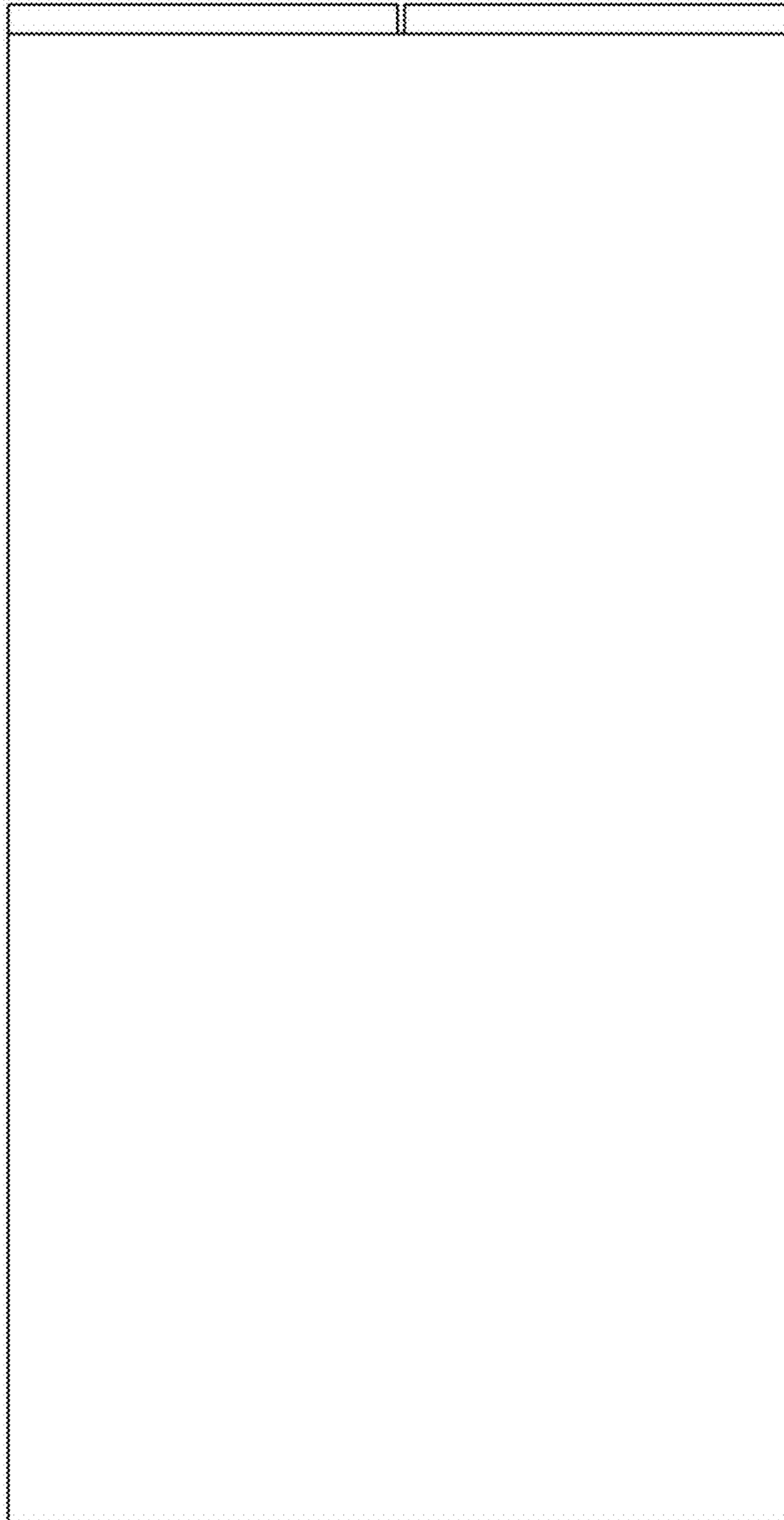
1.1



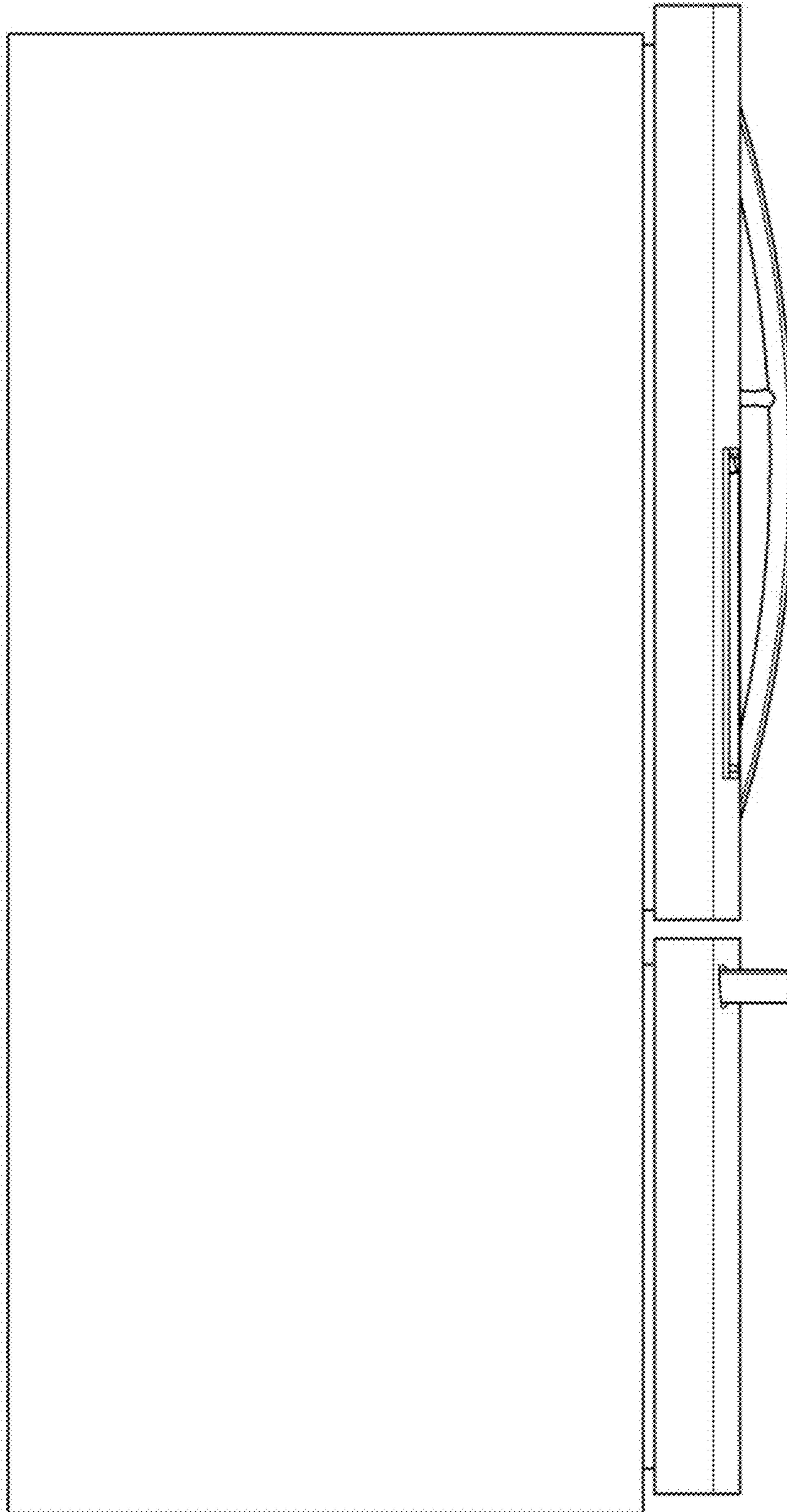
1.2



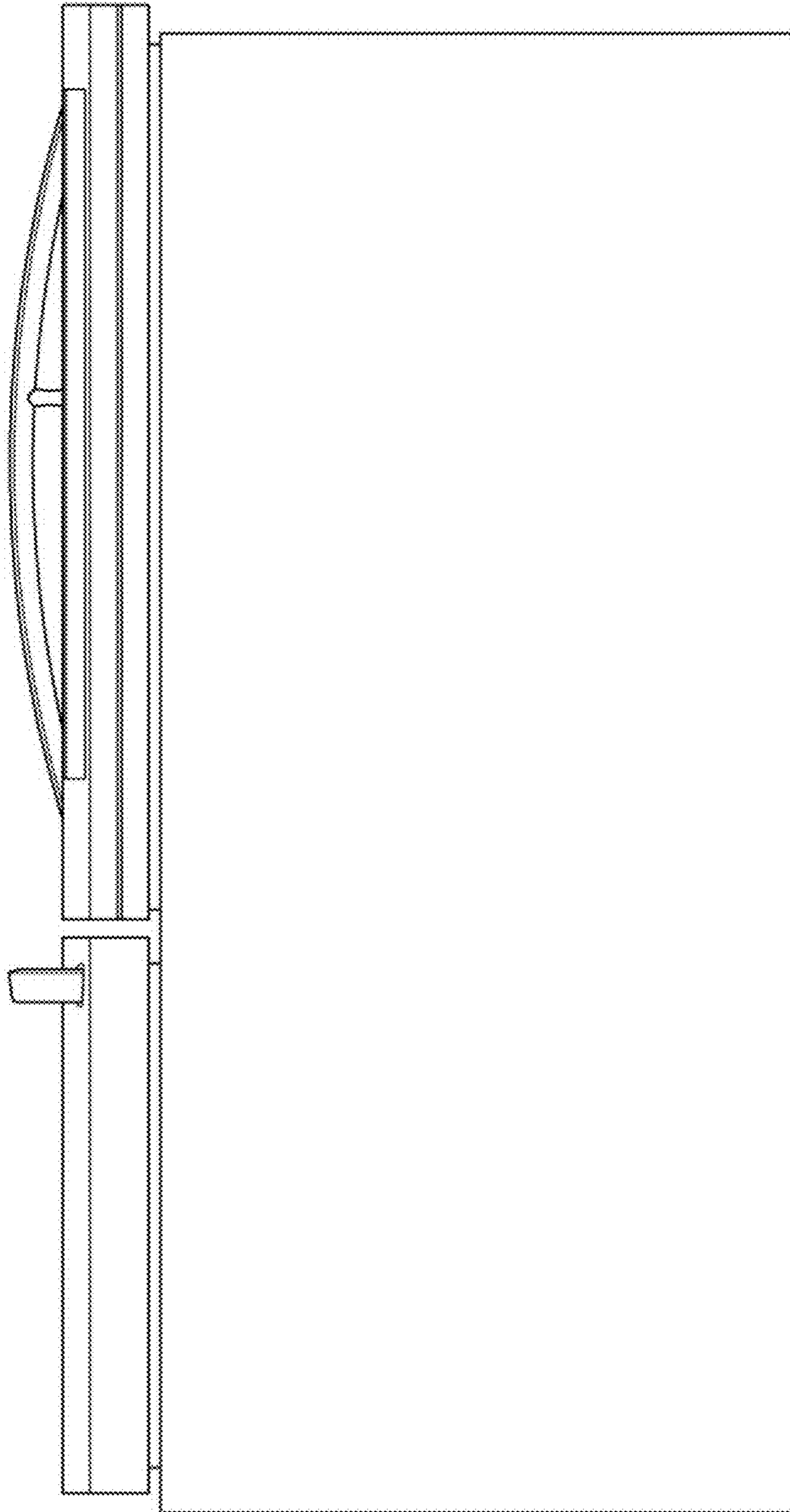
1.3



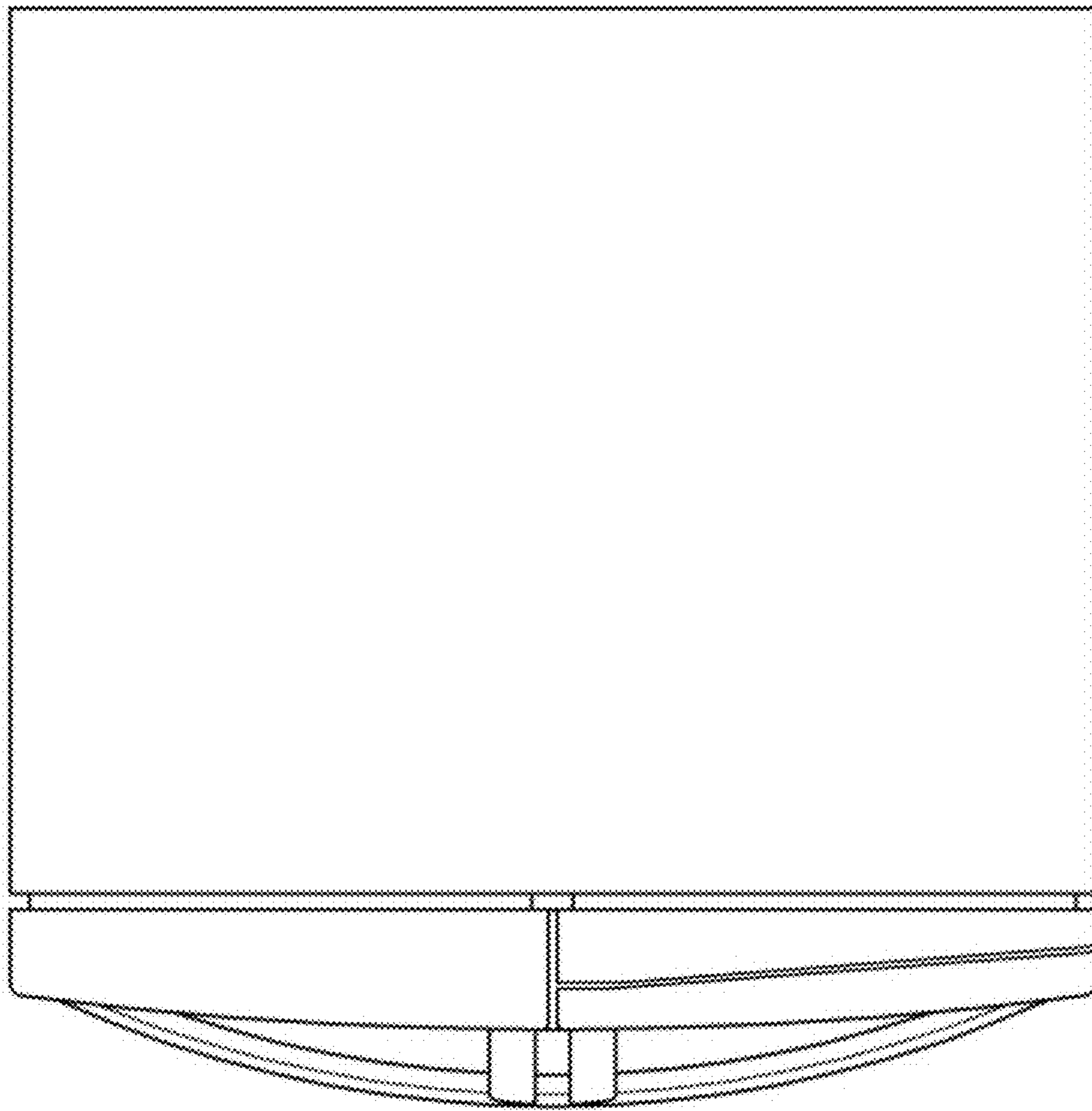
1.4



1.5

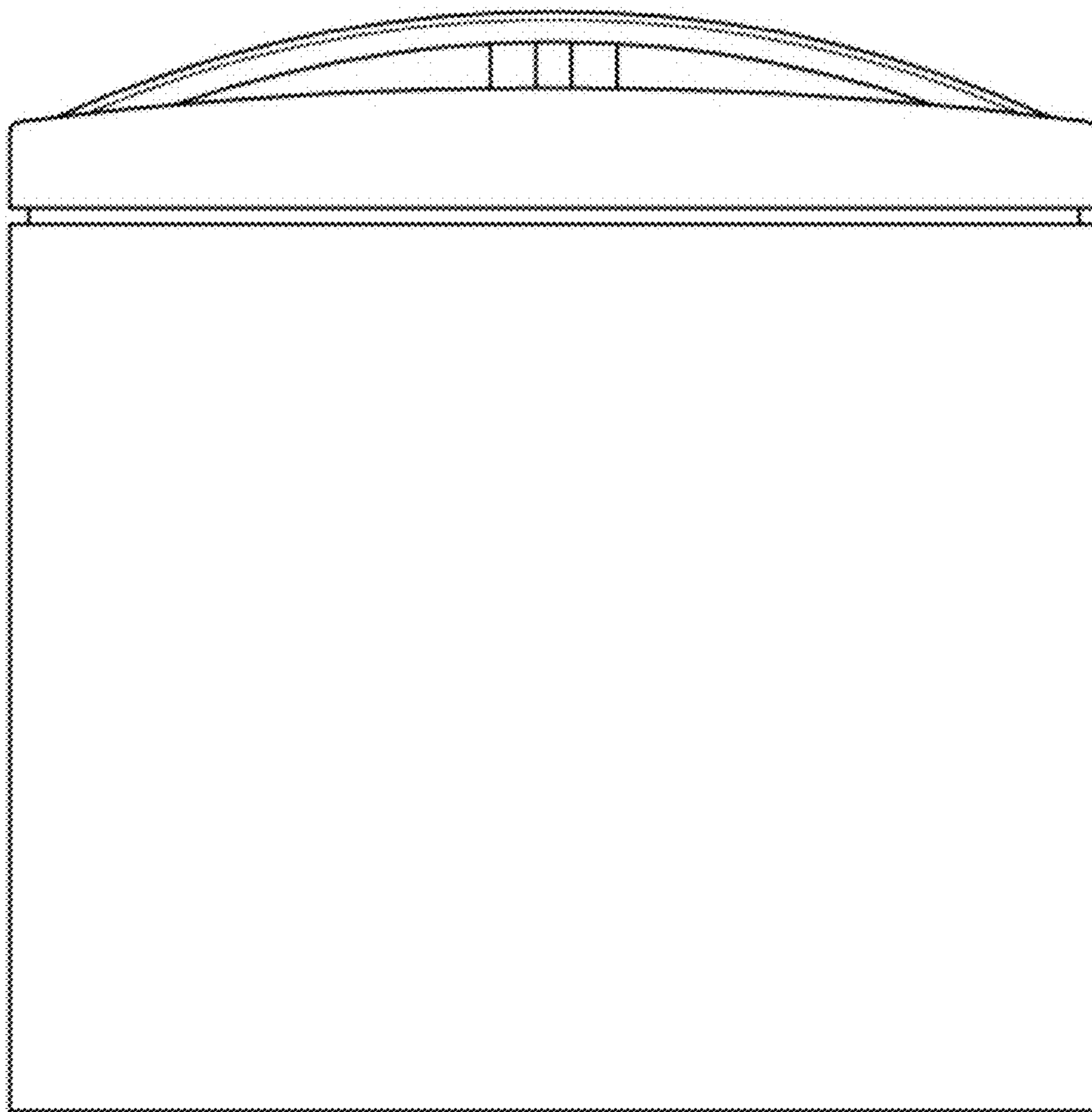


1.6

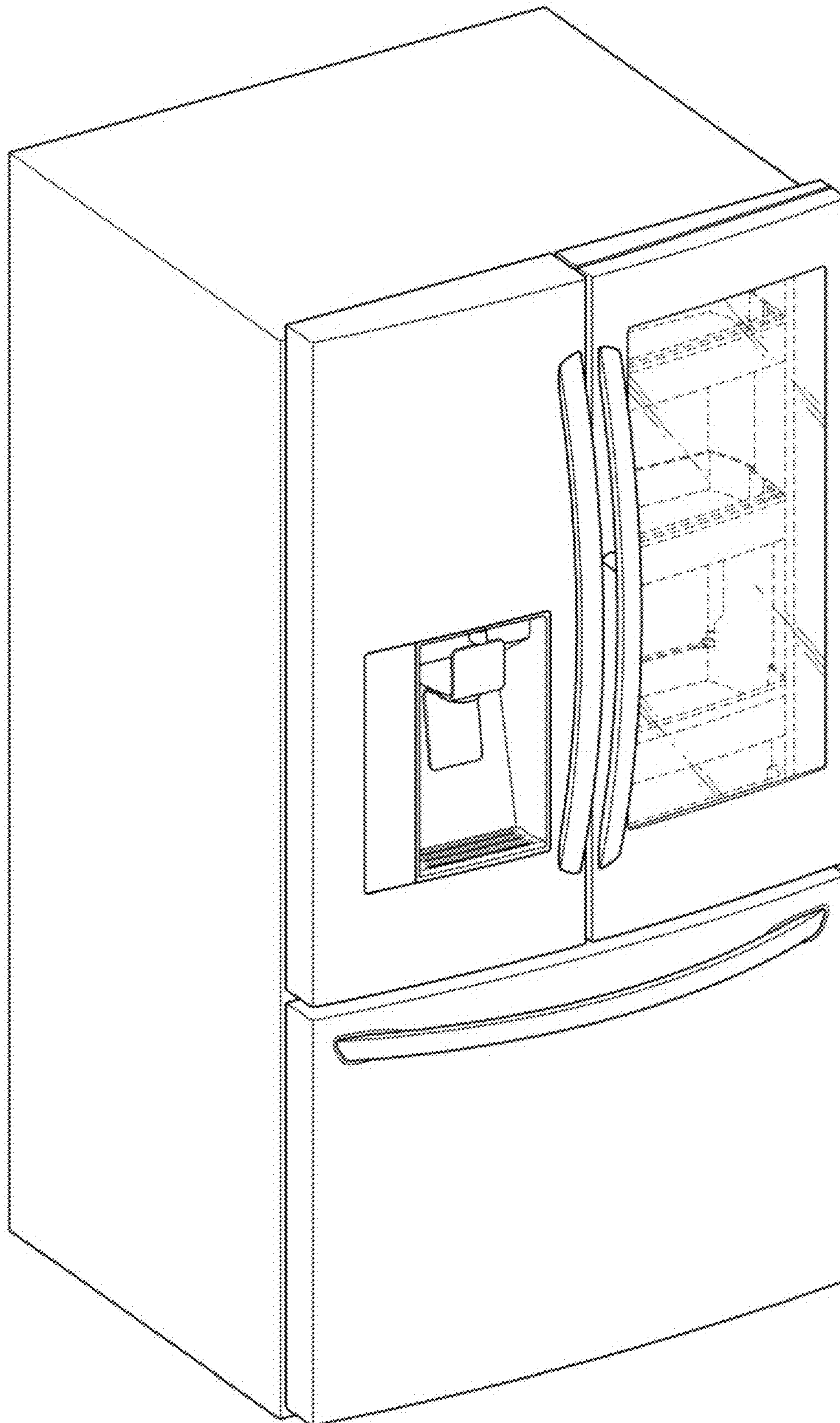




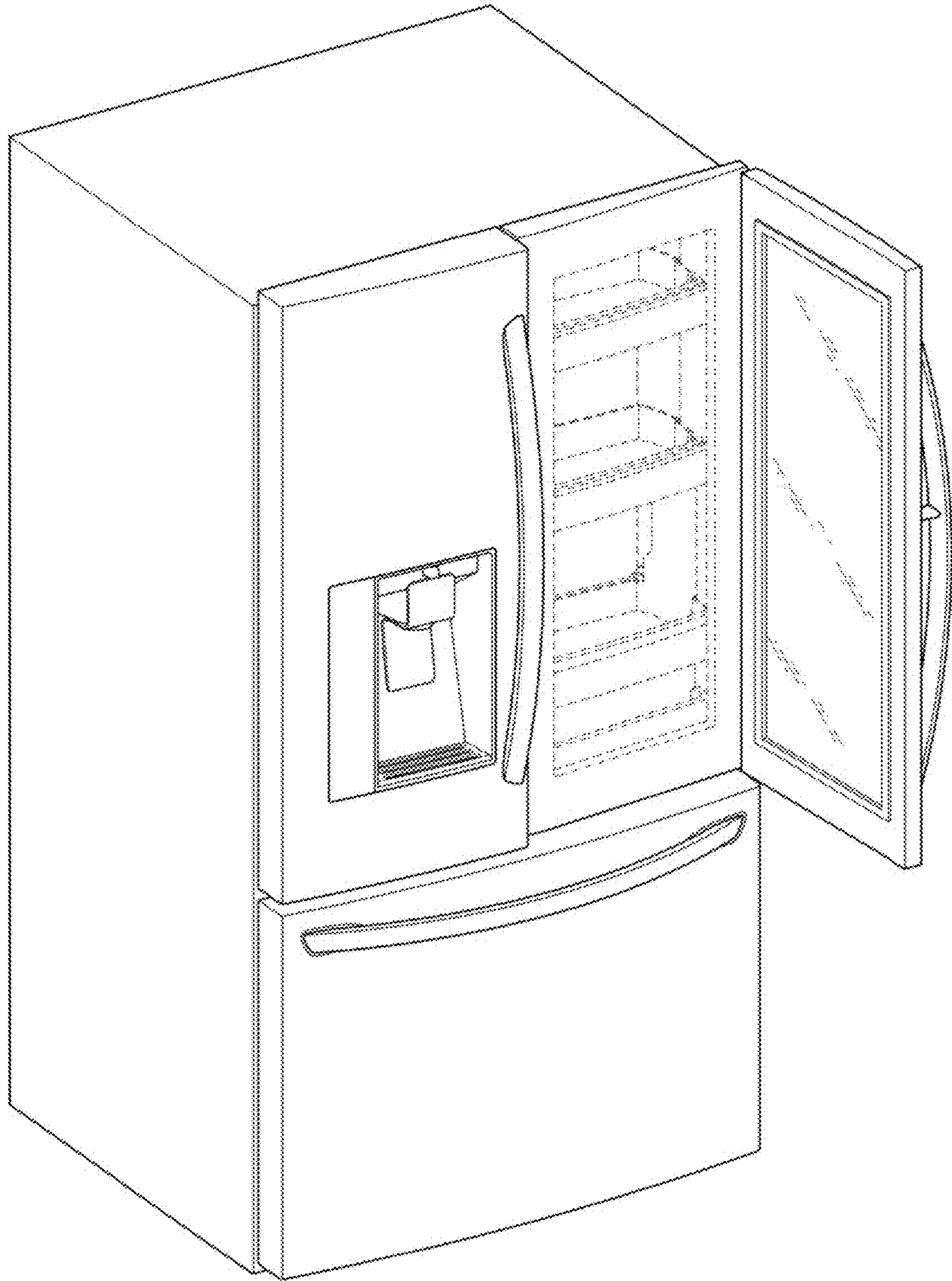
1.7



1.8



1.9



1.10

