



US00D826996S

(12) **United States Design Patent** (10) **Patent No.:** **US D826,996 S**
Feng (45) **Date of Patent:** **** Aug. 28, 2018**

(54) **PORTABLE REFRIGERATOR**
(71) Applicant: **Lisse USA, LLC**, Monroe, NY (US)
(72) Inventor: **Zhou Feng**, Yuyao (CN)
(73) Assignee: **Lisse USA, LLC**, Monroe, NY (US)
(**) Term: **15 Years**
(21) Appl. No.: **29/594,096**
(22) Filed: **Feb. 15, 2017**
(51) **LOC (11) Cl.** **15-07**
(52) **U.S. Cl.**
USPC **D15/91**
(58) **Field of Classification Search**
USPC D15/79-91
CPC .. F25D 11/00; F25D 17/065; F25D 2325/022;
F25D 23/069; F25D 25/025; F25D 11/02;
F25D 17/062; F25D 21/12; F25D 21/125;
F25D 21/14; F25D 2317/061; F25D
2317/067; F25D 2323/021; F25D
2323/024; F25D 23/028; F25D 23/04;
F25D 23/066; F25D 23/085; F25D
23/087; F25D 23/126; F25D 2400/02;
F25D 2400/06; F25D 2400/361; F25D
2400/40; F25D 25/005; F25D 25/02;
F25D 2600/02; F25D 2700/02; F25D
2700/12; F25D 2700/121; F25D 2700/14;
F25D 29/00
See application file for complete search history.

D762,744 S * 8/2016 Tissi D15/81
D800,799 S * 10/2017 Feng D15/81
D807,929 S * 1/2018 Feng D15/81

* cited by examiner

Primary Examiner — Mitchell I. Siegel

Assistant Examiner — Khawaja Anwar

(74) *Attorney, Agent, or Firm* — Amster, Rothstein & Ebenstein LLP

(57) **CLAIM**

The ornamental design for a portable refrigerator, as shown and described.

DESCRIPTION

FIG. 1 is a front perspective view of the portable refrigerator showing the present design.

FIG. 2 is a front view thereof.

FIG. 3 is a rear view thereof.

FIG. 4 is a left side view thereof.

FIG. 5 is a right side view thereof.

FIG. 6 is a top plan view thereof; and,

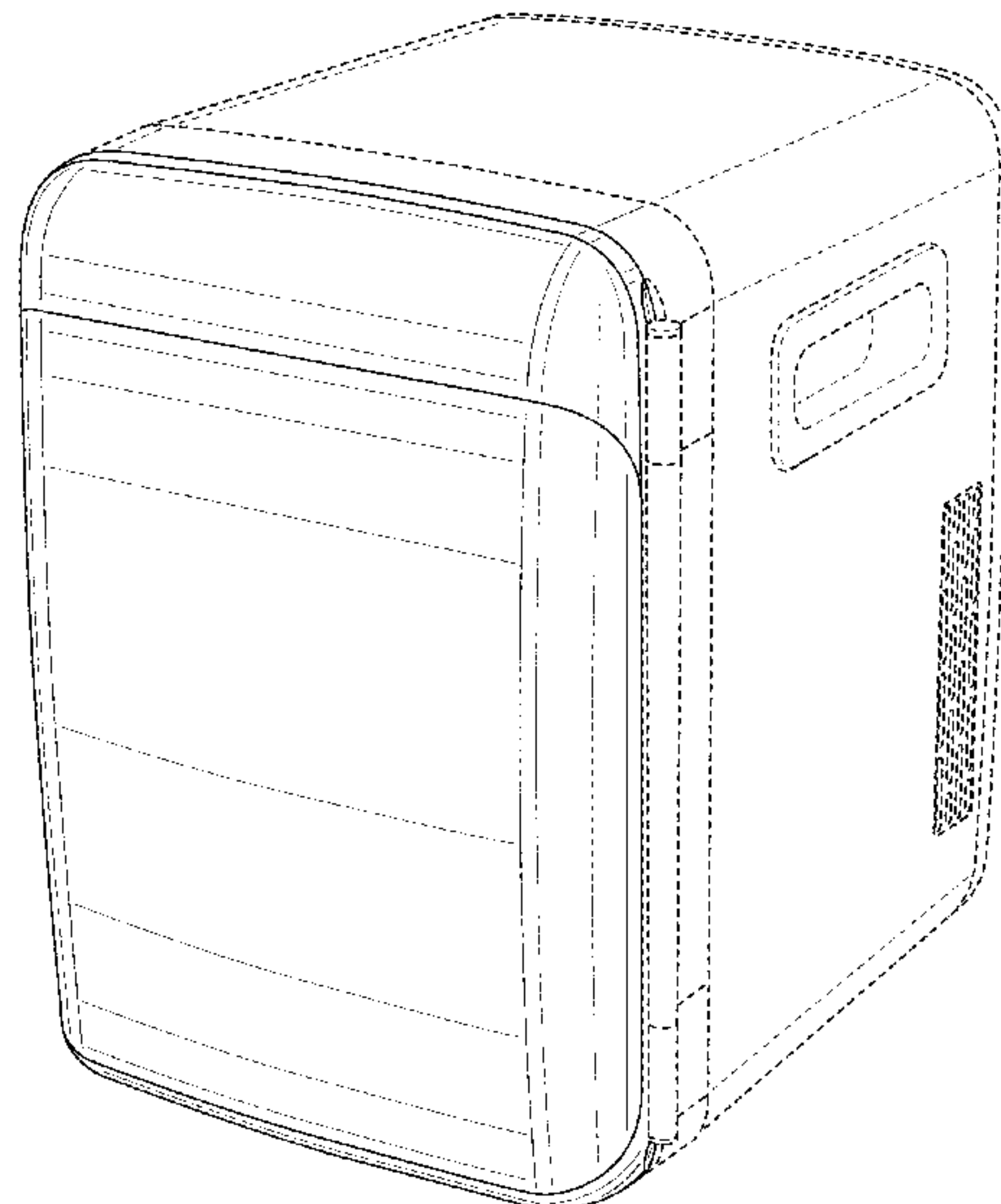
FIG. 7 is a bottom plan view thereof.

The portions of the design shown in broken lines being for the purpose of illustrating environment only and form no part of the claimed design.

1 Claim, 7 Drawing Sheets

(56) **References Cited**
U.S. PATENT DOCUMENTS

D82,770 S * 12/1930 Terry D15/81
D317,454 S * 6/1991 Matsumura D15/83
D618,257 S * 6/2010 Hanamure D15/79
D653,682 S * 2/2012 Herning D15/80
D674,412 S * 1/2013 Woolford D15/79



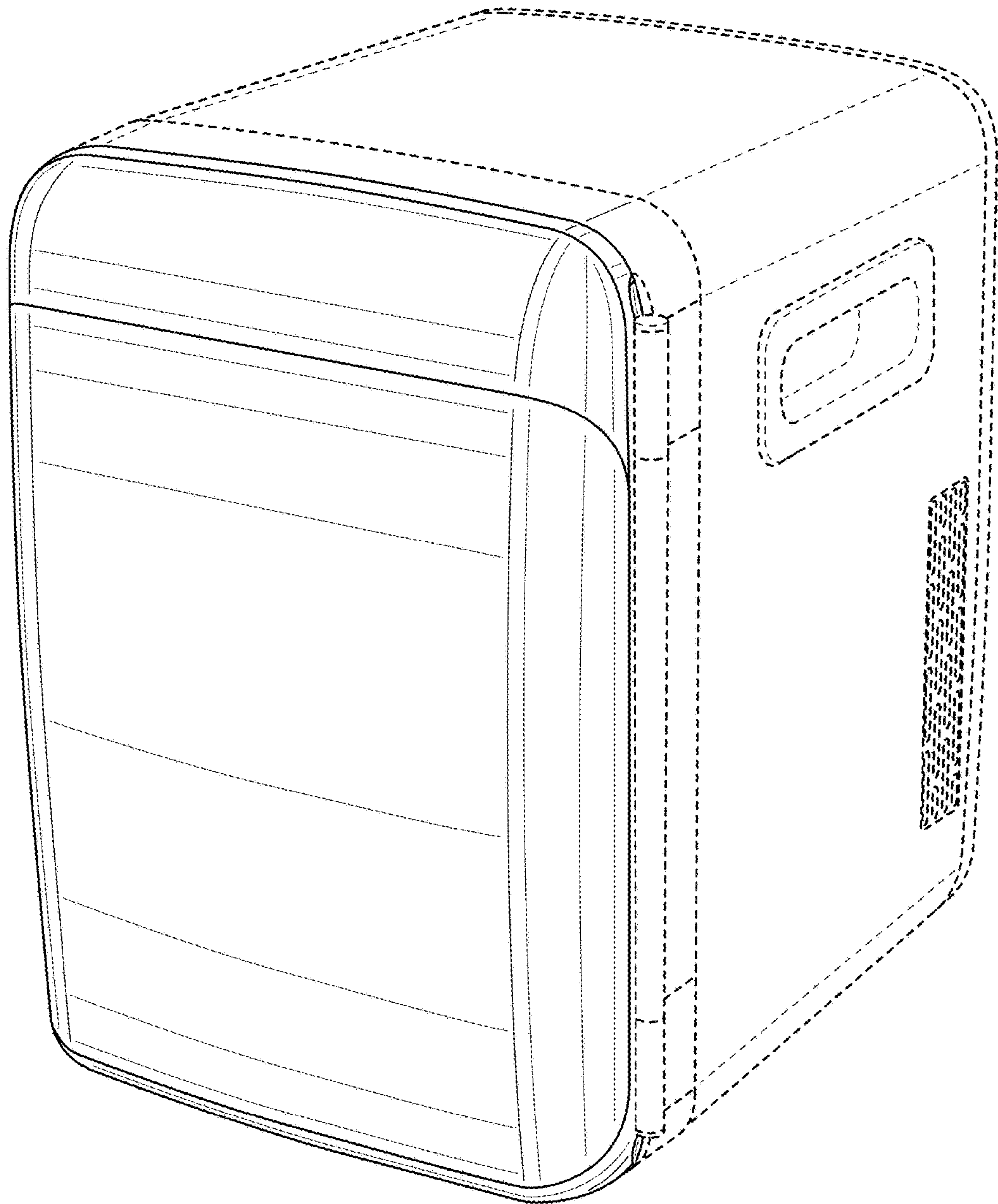


FIG. 1

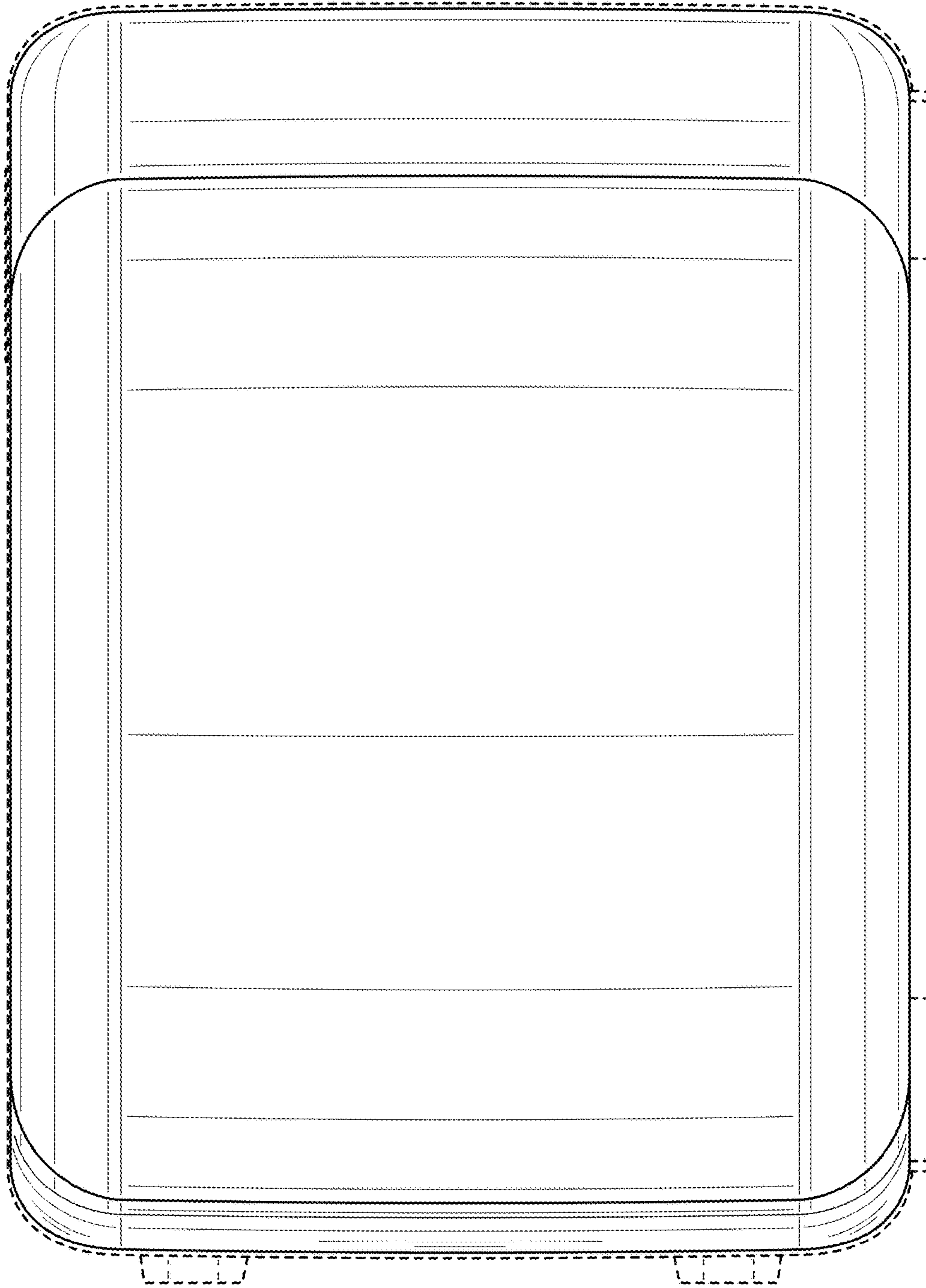


FIG. 2

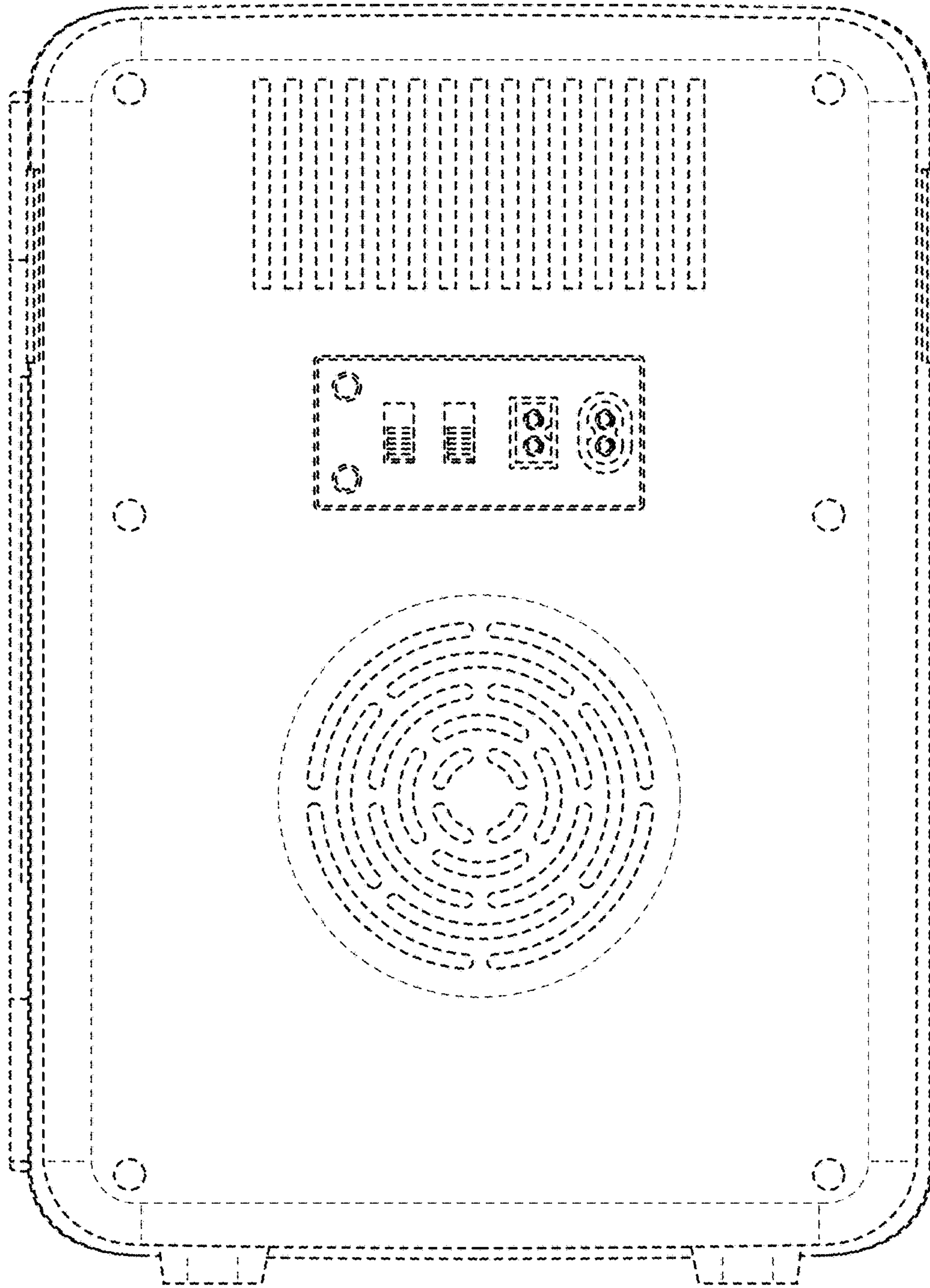


FIG. 3

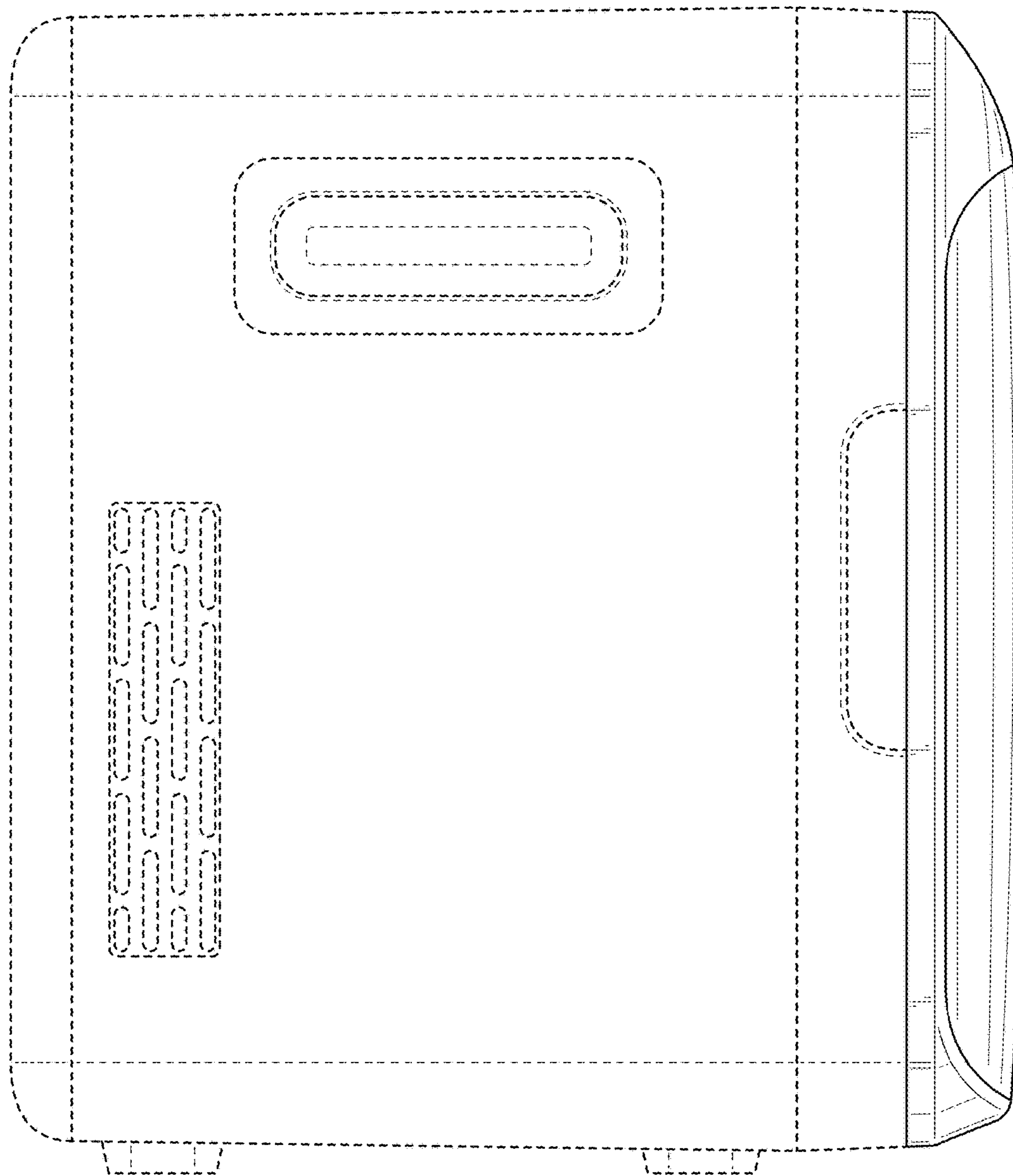


FIG. 4

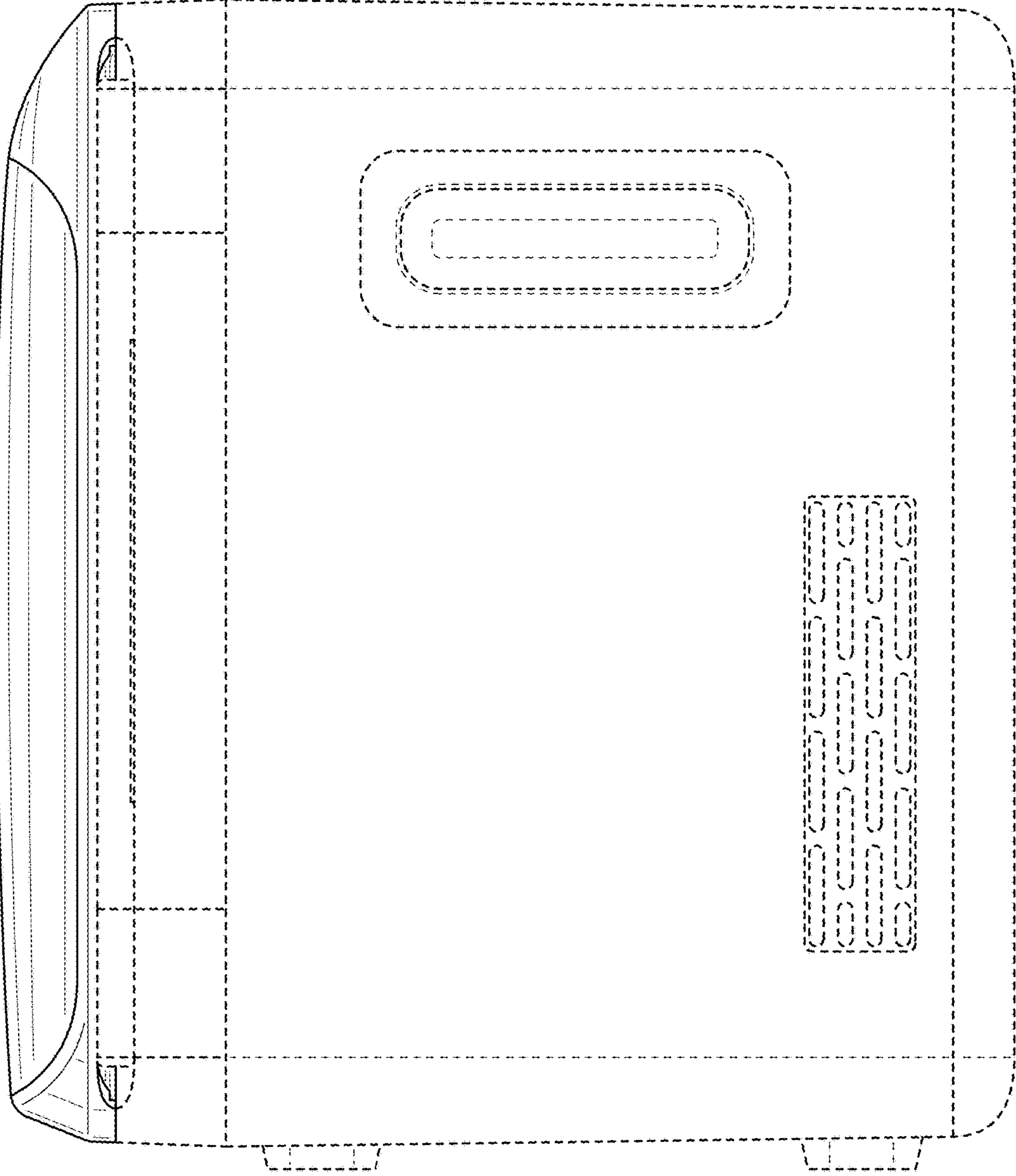


FIG. 5

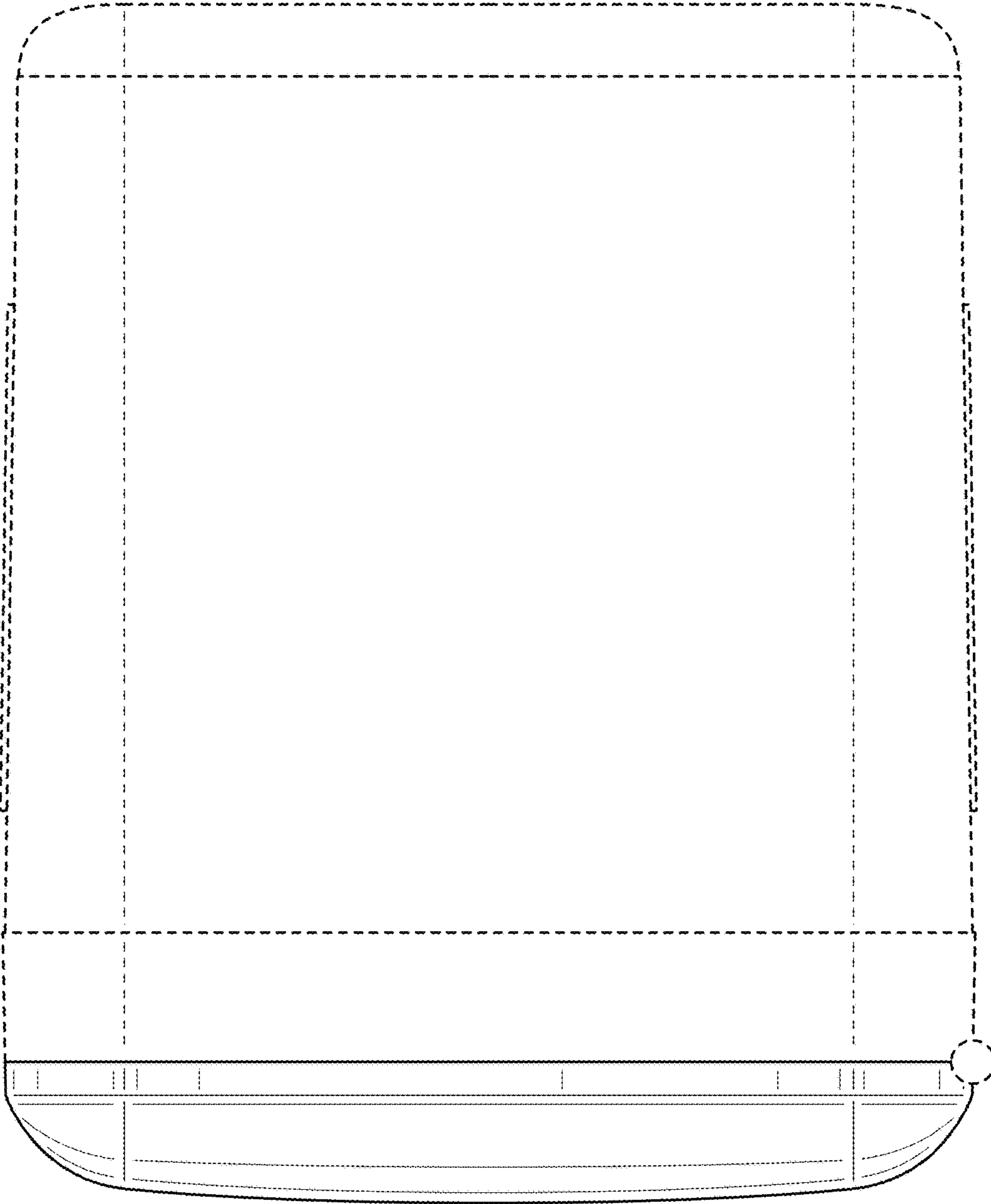


FIG. 6

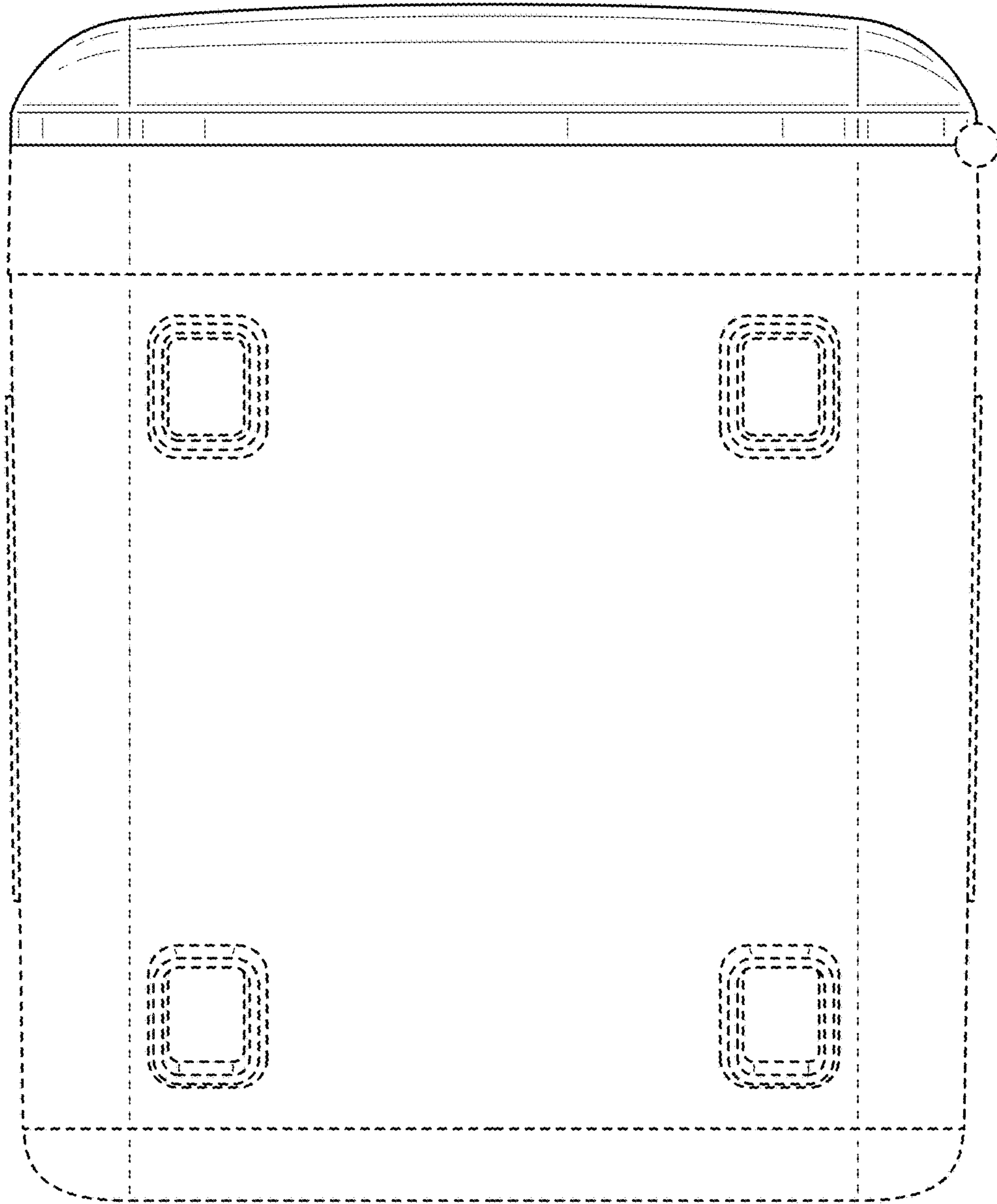


FIG. 7