



US00D826995S

(12) **United States Design Patent** (10) **Patent No.:** **US D826,995 S**
Diamond et al. (45) **Date of Patent:** **** Aug. 28, 2018**

(54) **SHELF FOR BOTTLES**
(71) Applicant: **The Wine Enthusiast, Inc.**, Valhalla, NY (US)
(72) Inventors: **Stuart Diamond**, New York, NY (US); **Marshall Tilden, III**, Mt. Kisco, NY (US)
(73) Assignee: **The Wine Enthusiast, Inc.**, Valhalla, NY (US)

D475,374 S 6/2003 Segers
7,204,570 B2 4/2007 Benitsch et al.
D551,262 S 9/2007 Becke
D700,221 S 2/2014 Ringemann et al.
D711,936 S * 8/2014 Hynes D15/89
9,028,020 B2 5/2015 Gossens et al.
D761,884 S * 7/2016 Austin D15/89
9,414,671 B1 8/2016 Smith
D769,947 S * 10/2016 Lee D15/89

(Continued)

(**) Term: **15 Years**

FOREIGN PATENT DOCUMENTS

CN 102927768 A 2/2013
DE 102010003453 A1 10/2011
WO 2011124427 A1 10/2011

(21) Appl. No.: **29/619,815**

Primary Examiner — Ian Simmons

(22) Filed: **Oct. 2, 2017**

Assistant Examiner — Khawaja Anwar

(51) **LOC (11) Cl.** **15-07**

(74) *Attorney, Agent, or Firm* — Cowan, Liebowitz & Latman, P.C.; Anastasia Zhadina, Esq.

(52) **U.S. Cl.**

(57) **CLAIM**

USPC **D15/89**

The ornamental design for a shelf for bottles, as shown and described.

(58) **Field of Classification Search**

DESCRIPTION

USPC D15/79-91
CPC .. F25D 11/00; F25D 17/065; F25D 2325/022;
F25D 23/069; F25D 25/025; F25D 11/02;
F25D 17/062; F25D 21/12; F25D 21/125;
F25D 21/14; F25D 2317/061; F25D
2317/067; F25D 2323/021; F25D
2323/024; F25D 23/028; F25D 23/04;
F25D 23/066; F25D 23/085; F25D
23/087; F25D 23/126; F25D 2400/02;
F25D 2400/06; F25D 2400/361; F25D
2400/40; F25D 25/005; F25D 25/02;
F25D 2600/02; F25D 2700/02; F25D
2700/12; F25D 2700/121; F25D 2700/14;
F25D 29/00

FIG. 1 is a perspective view of the shelf for bottles showing my design;
FIG. 2 is a top view thereof;
FIG. 3 is a bottom view thereof;
FIG. 4 is a front view thereof;
FIG. 5 is a rear view thereof;
FIG. 6 is a left side view thereof;
FIG. 7 is a right side view thereof; and,
FIG. 8 is a perspective view thereof showing exemplary use thereof.

See application file for complete search history.

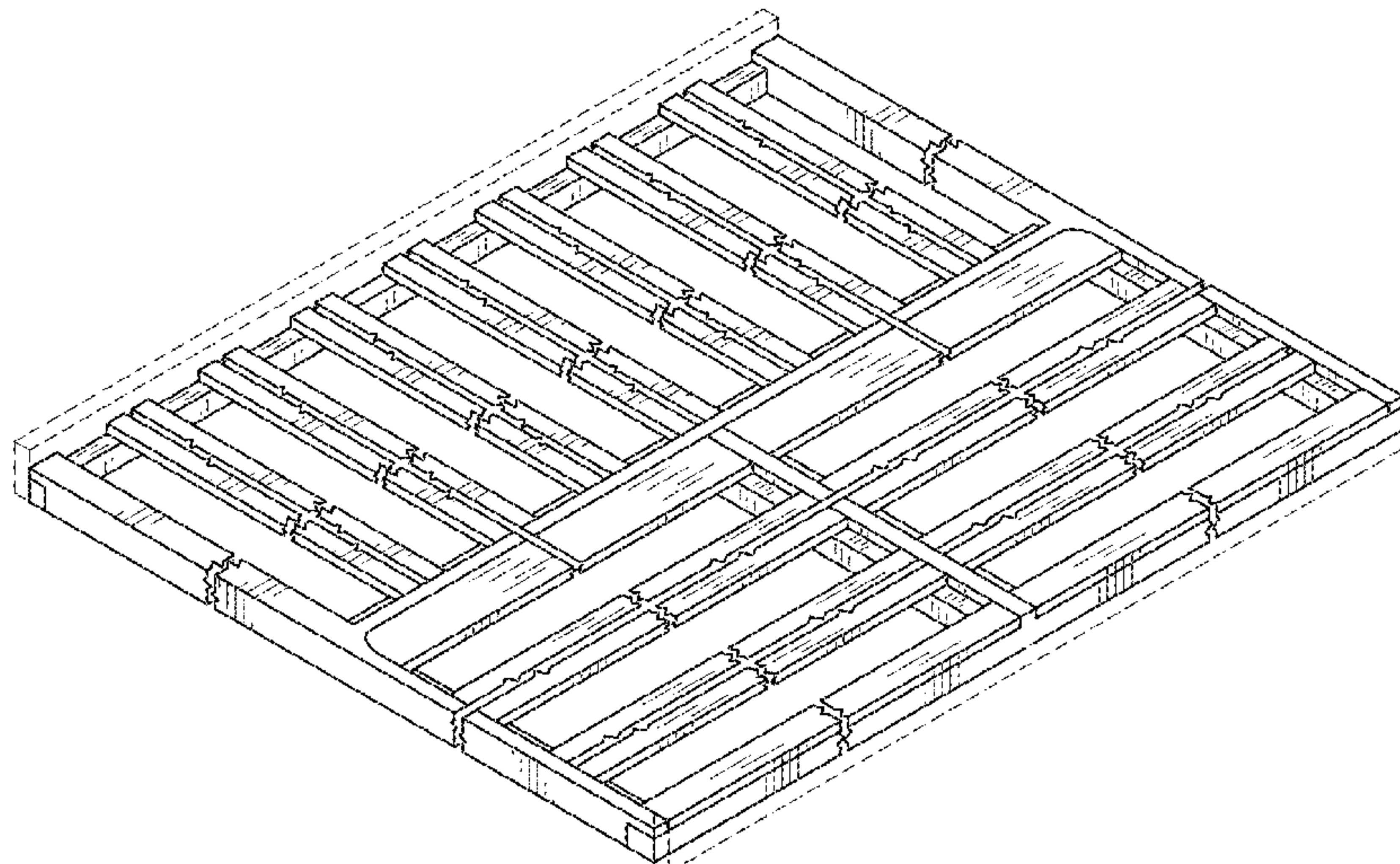
The broken line in the figure drawings represents unclaimed environment only and forms no part of the claimed design; the break lines that separate the parts of the shelf for bottles and the portion within the break lines represent indeterminate length and form no part of the claimed design.

(56) **References Cited**

U.S. PATENT DOCUMENTS

D284,720 S 7/1986 Watson
6,361,129 B1 3/2002 Børgen

1 Claim, 5 Drawing Sheets



(56)

References Cited

U.S. PATENT DOCUMENTS

D770,543 S 11/2016 Lee et al.
D770,544 S * 11/2016 Lee D15/89
2013/0119004 A1 5/2013 Lange

* cited by examiner

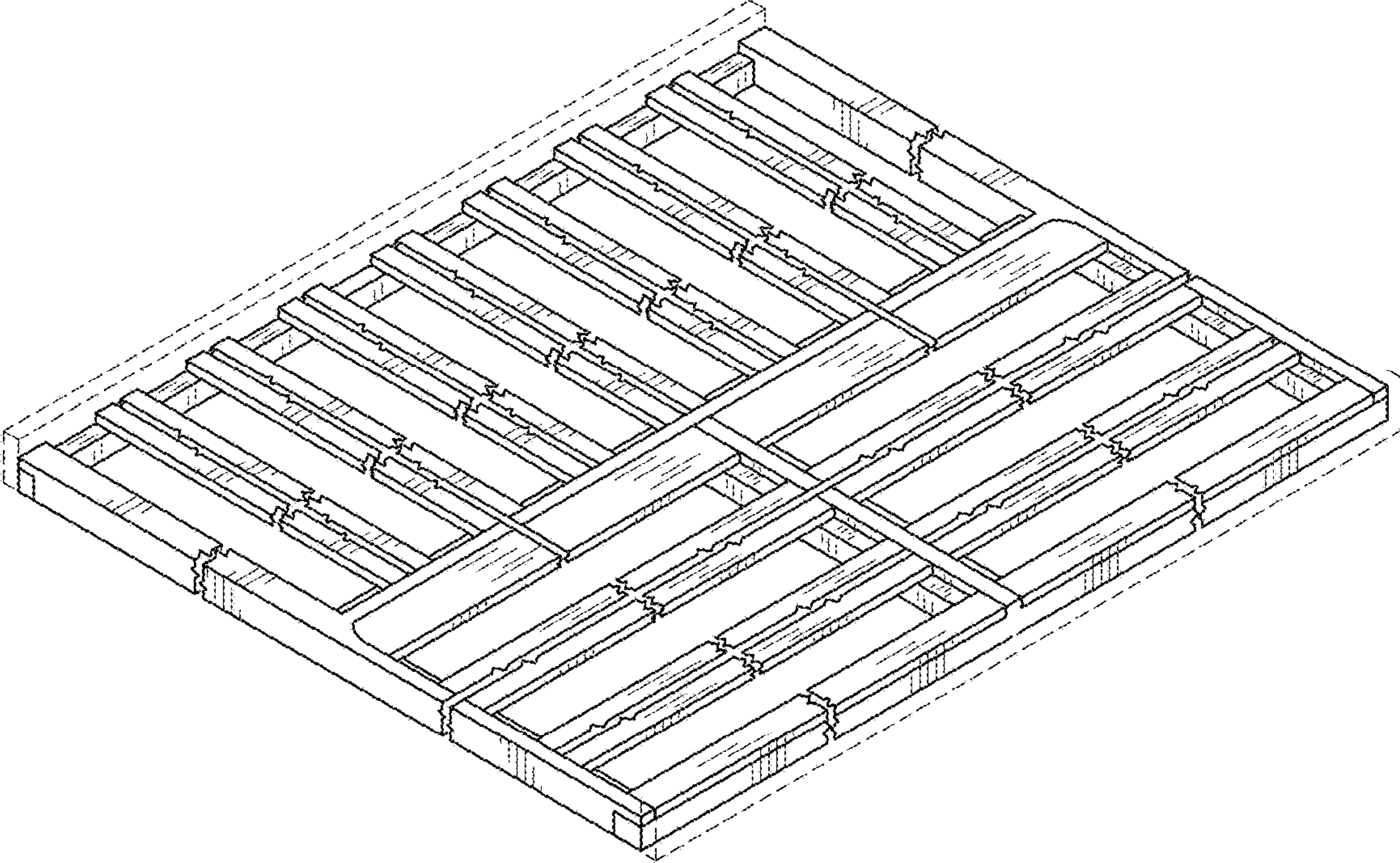


FIG. 1

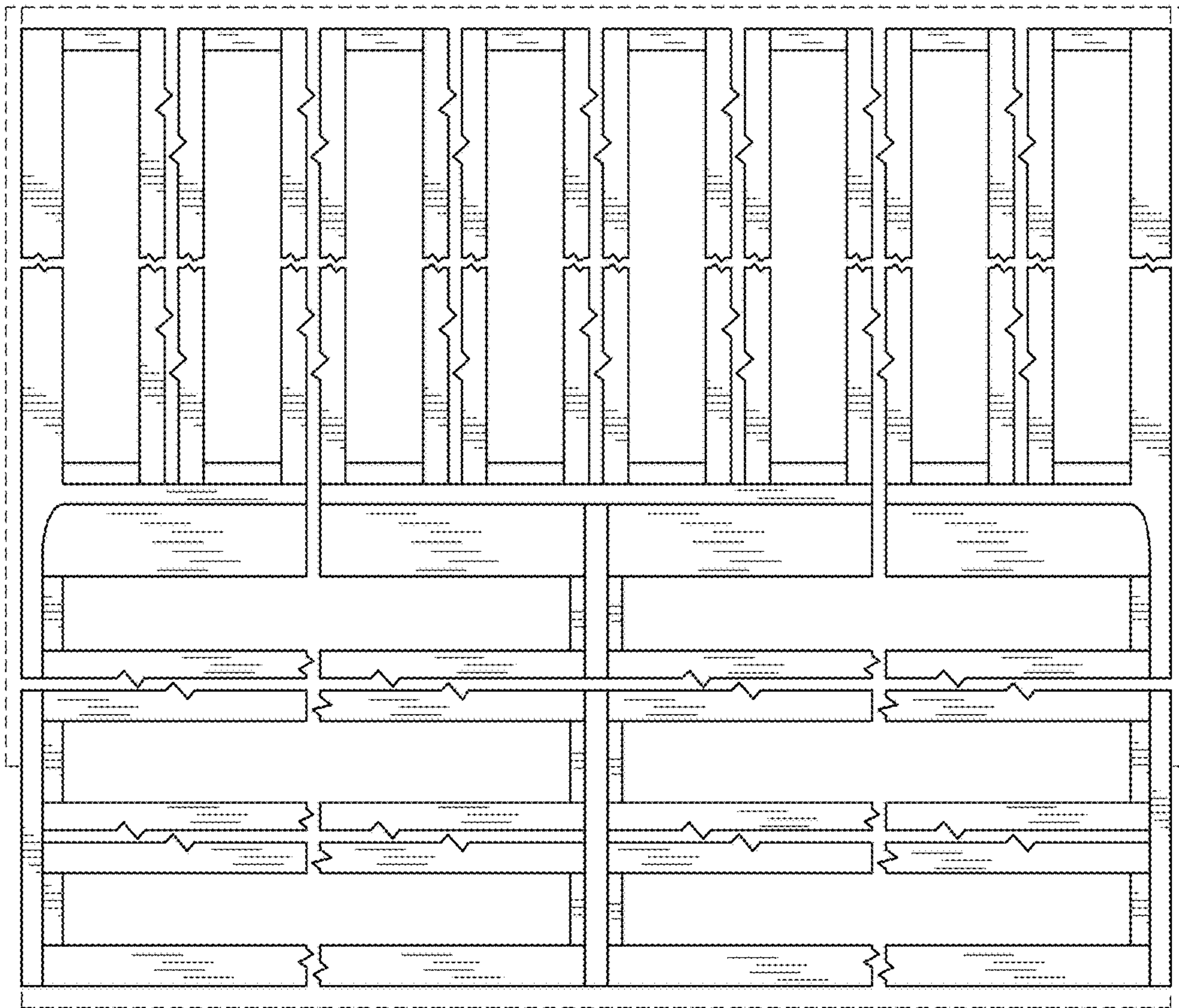


FIG. 2

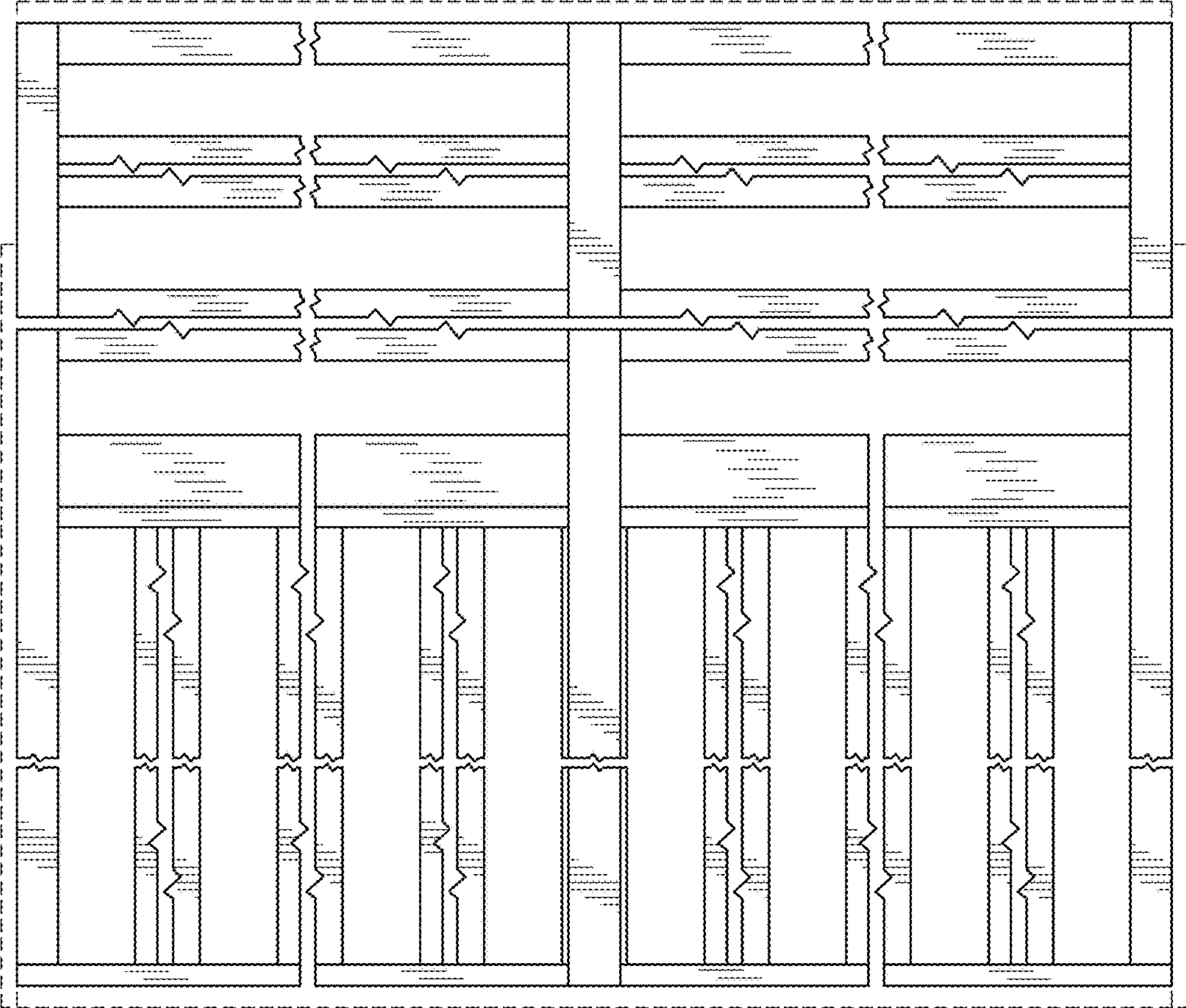


FIG. 3



FIG. 4

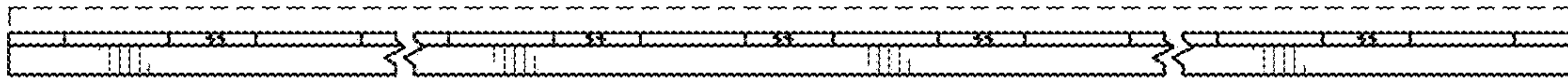


FIG. 5

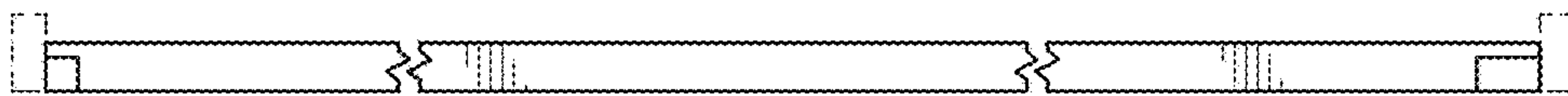


FIG. 6

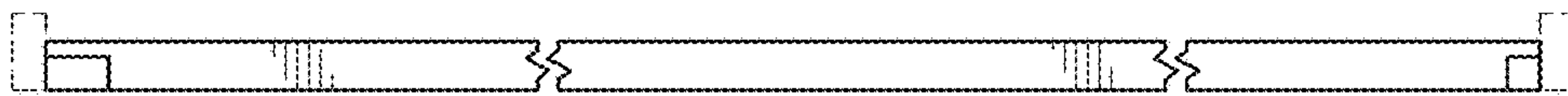


FIG. 7

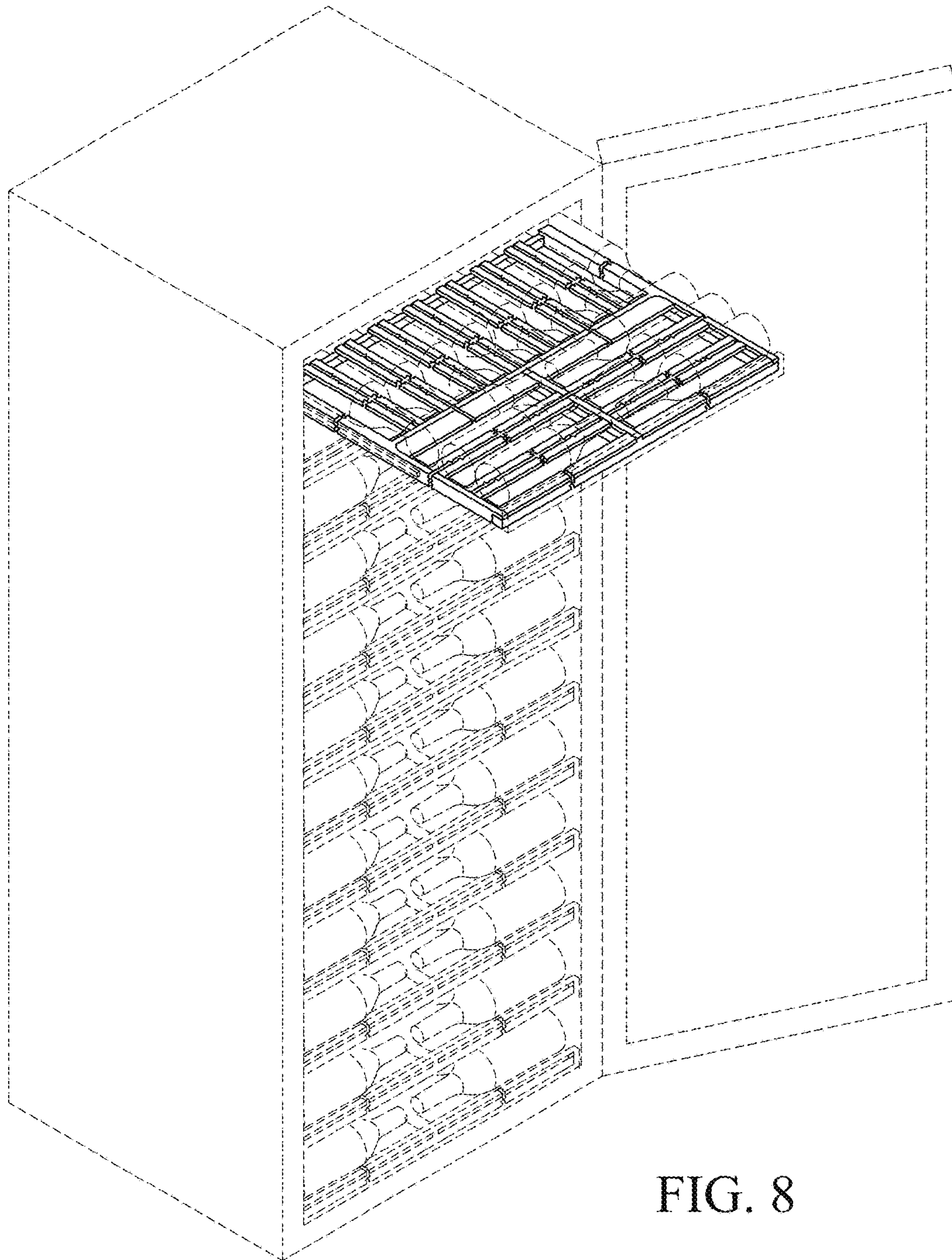


FIG. 8