



US00D826994S

(12) **United States Design Patent** (10) **Patent No.:** **US D826,994 S**  
**De Smet et al.** (45) **Date of Patent:** **\*\* Aug. 28, 2018**

(54) **FORAGE HARVESTER**

(71) Applicant: **CNH Industrial America LLC**, New Holland, PA (US)

(72) Inventors: **Raf De Smet**, Nieuwpoort (BE); **Ben Depoorter**, Oudenburg (BE); **Nick Vanderstraeten**, Kruishoutem (BE)

(73) Assignee: **CNH Industrial America LLC**, New Holland, PA (US)

(\*\*) Term: **15 Years**

(21) Appl. No.: **29/606,529**

(22) Filed: **Jun. 5, 2017**

(51) **LOC (11) Cl.** ..... **15-03**

(52) **U.S. Cl.**  
USPC ..... **D15/26**

(58) **Field of Classification Search**  
USPC ..... D15/10-12, 22-26, 28; 56/14.5-14.7, 56/16.6, 122-125; 296/190, 191; 460/83, 119; 180/89.1, 89.12  
CPC ..... A01B 73/00; A01D 75/00; A01D 41/06; A01D 41/1208; A01D 41/00; A01D 67/00; A01D 45/00; A01D 45/02; A01D 45/021; A01D 43/081  
See application file for complete search history.

4,416,486 A \* 11/1983 McNaught ..... B62D 33/0617  
180/89.12

D309,738 S \* 8/1990 Schober ..... D15/26

D373,591 S \* 9/1996 Von Allworden ..... D15/26

D399,851 S \* 10/1998 Stauffer ..... D15/10

5,904,365 A \* 5/1999 Dillon ..... B62D 59/02  
180/14.1

D436,363 S \* 1/2001 Strong ..... D15/10

6,282,875 B1 \* 9/2001 Holtkotte ..... A01B 73/00  
56/228

D544,886 S \* 6/2007 Pedracini ..... D15/26

D568,342 S \* 5/2008 Kleingraeber ..... D15/26

D599,830 S \* 9/2009 Jacobsthal ..... D15/26

D619,627 S \* 7/2010 Budde ..... D15/28

D639,826 S \* 6/2011 Barreilmeyer ..... D15/26

D717,345 S \* 11/2014 Budde ..... D15/26

D743,450 S \* 11/2015 Claeys ..... D15/33

D797,813 S \* 9/2017 Budde ..... D15/26

\* cited by examiner

*Primary Examiner* — Mark Goodwin  
(74) *Attorney, Agent, or Firm* — Peter K. Zacharias; Patrick M. Sheldrake

(57) **CLAIM**

The ornamental design for a forage harvester, as shown and described.

**DESCRIPTION**

FIG. 1 is a front view of a forage harvester of the present design.  
FIG. 2 is a rear view of the forage harvester of FIG. 1.  
FIG. 3 is a left-side view of the forage harvester of FIG. 1; and,  
FIG. 4 is a right-side view of the forage harvester of FIG. 1.

**1 Claim, 4 Drawing Sheets**

(56) **References Cited**  
U.S. PATENT DOCUMENTS

D242,816 S \* 12/1976 Maurer ..... D15/30

D253,057 S \* 10/1979 Fachini ..... D15/26

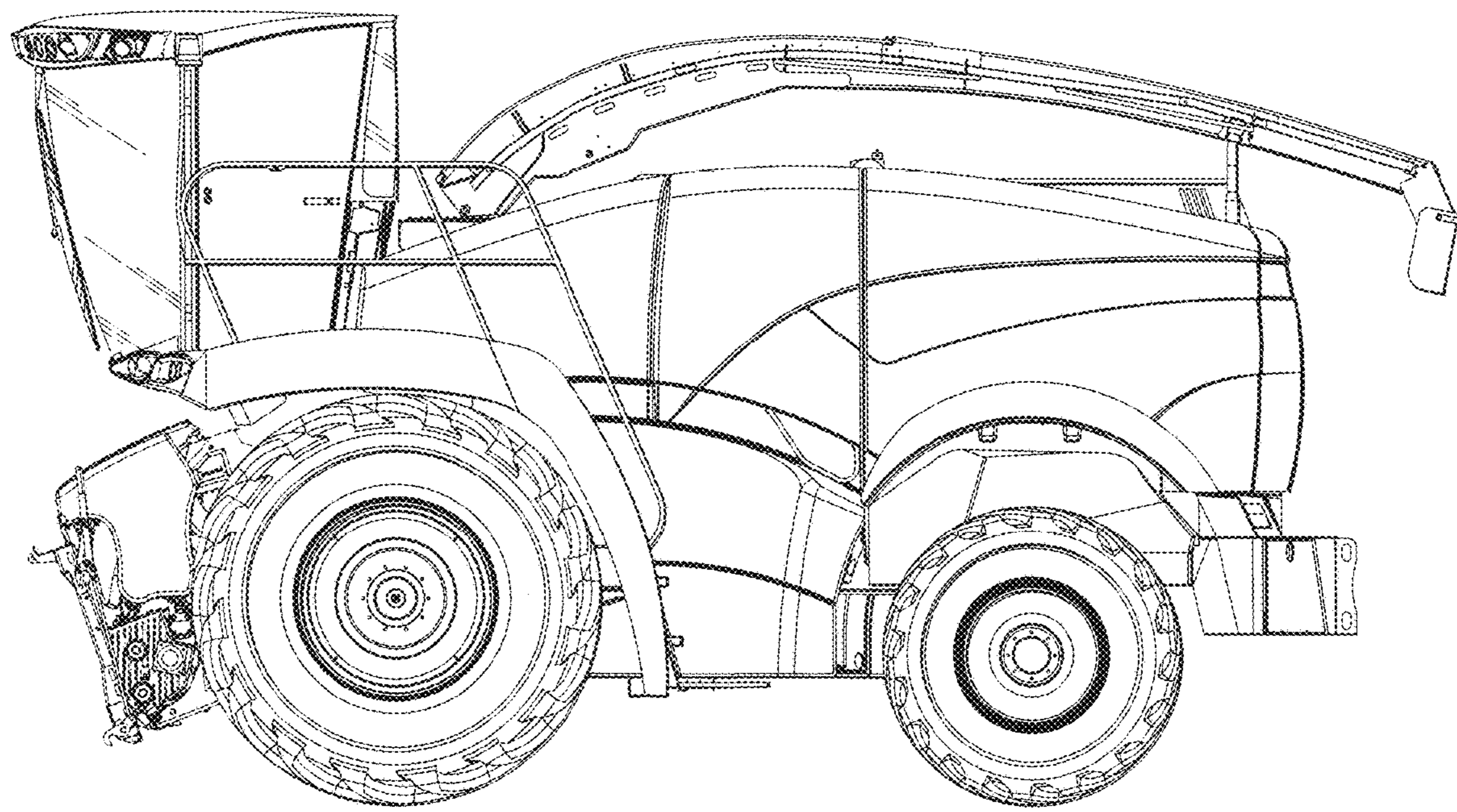


FIG. 1

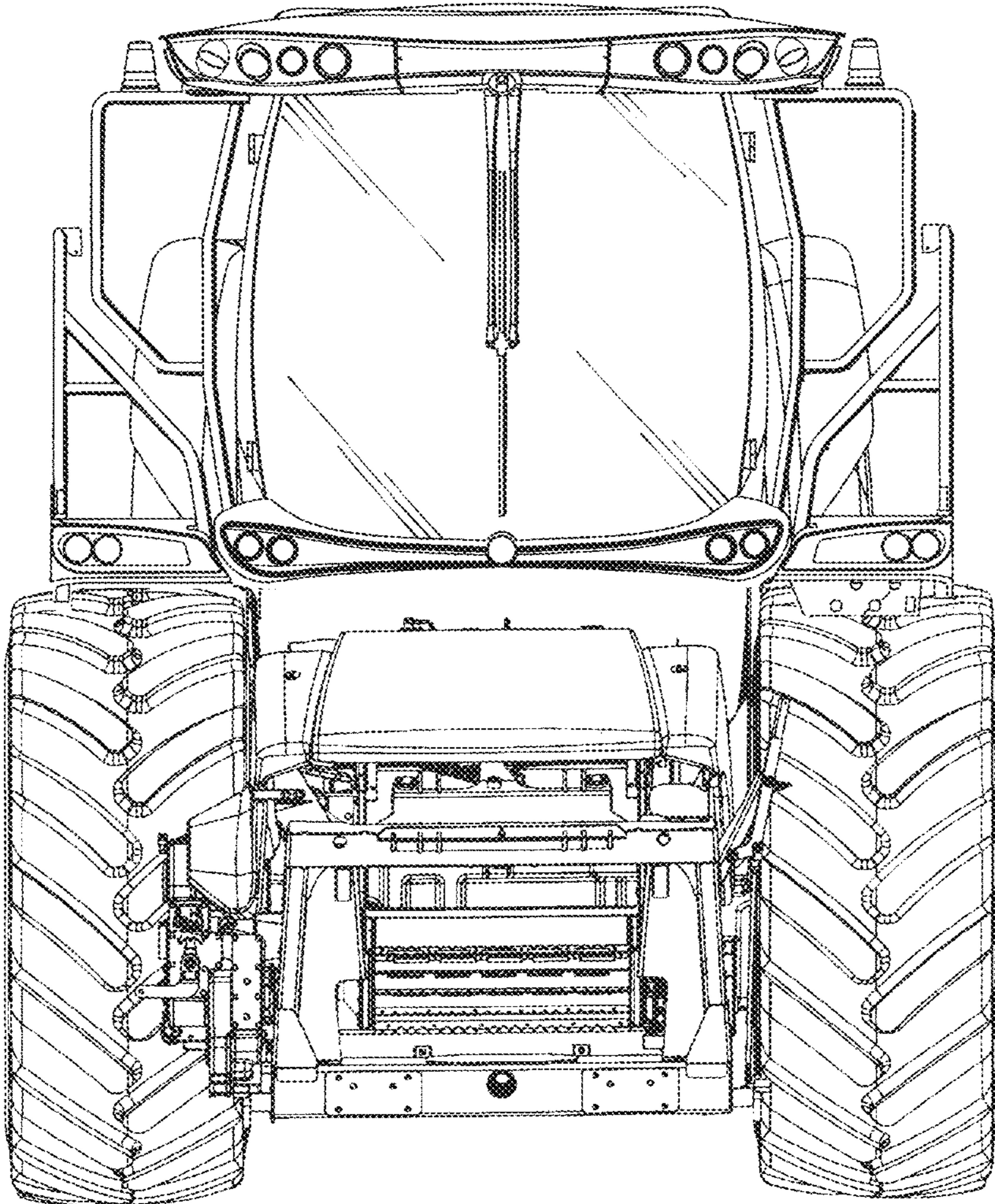


FIG. 2

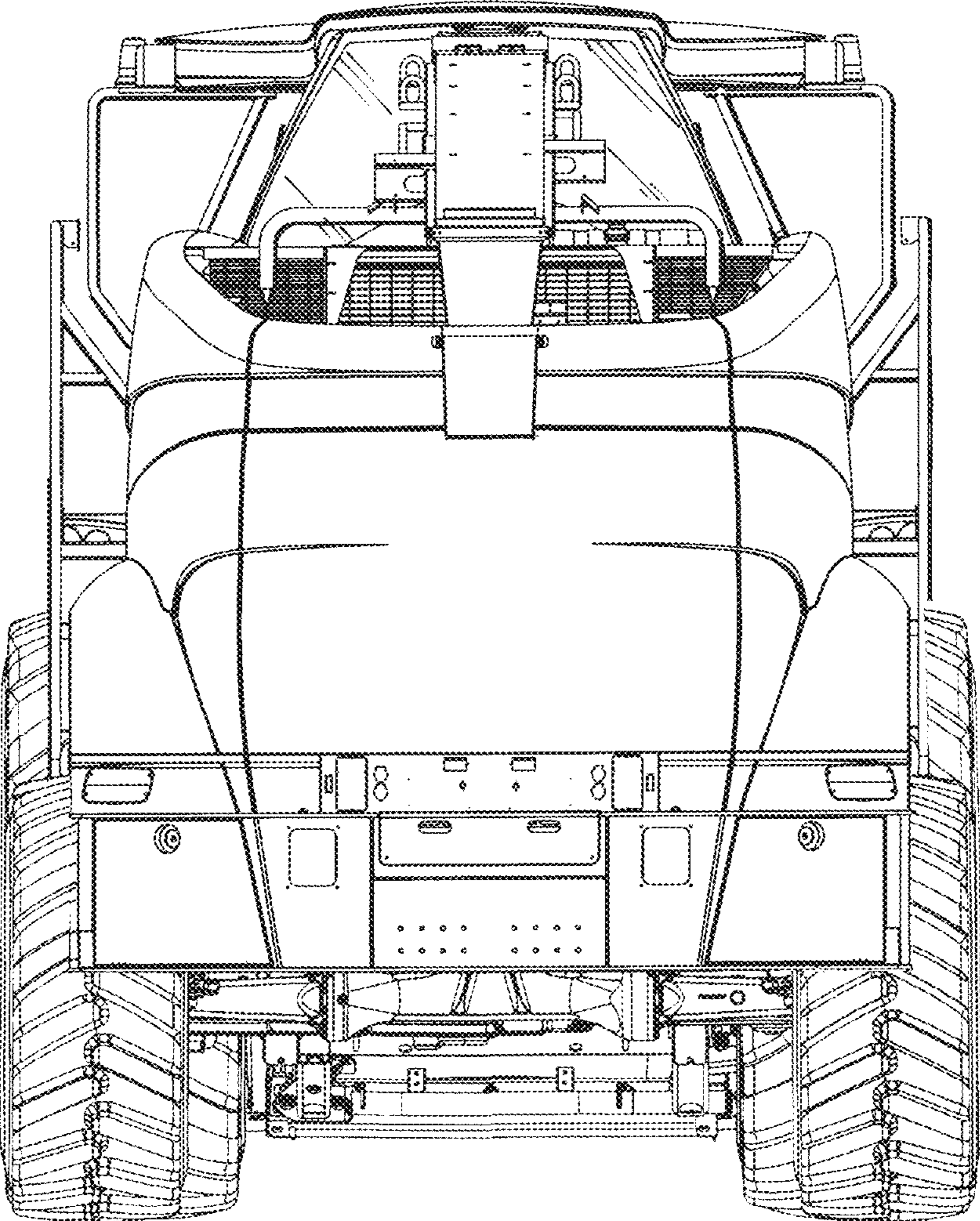
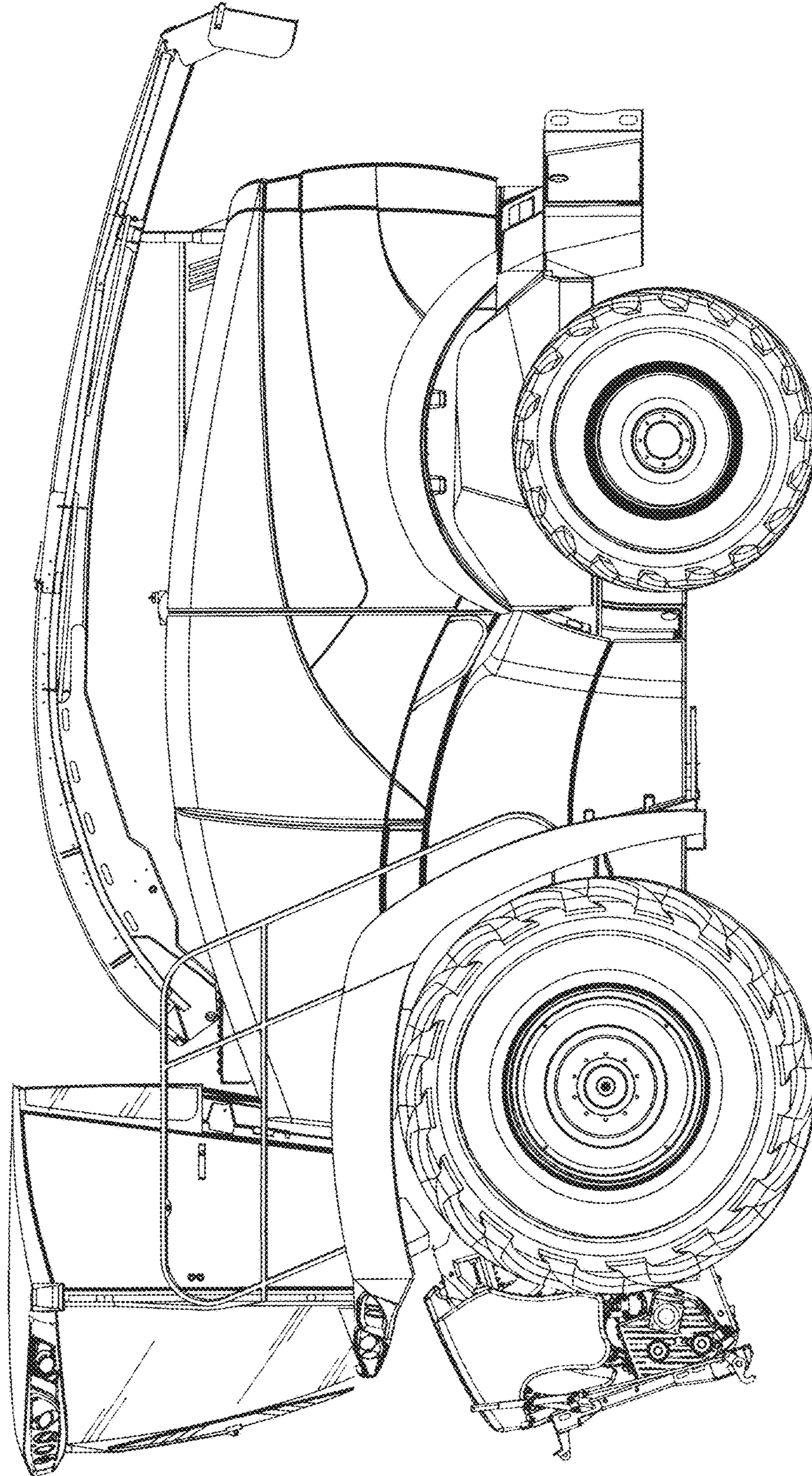


FIG. 3



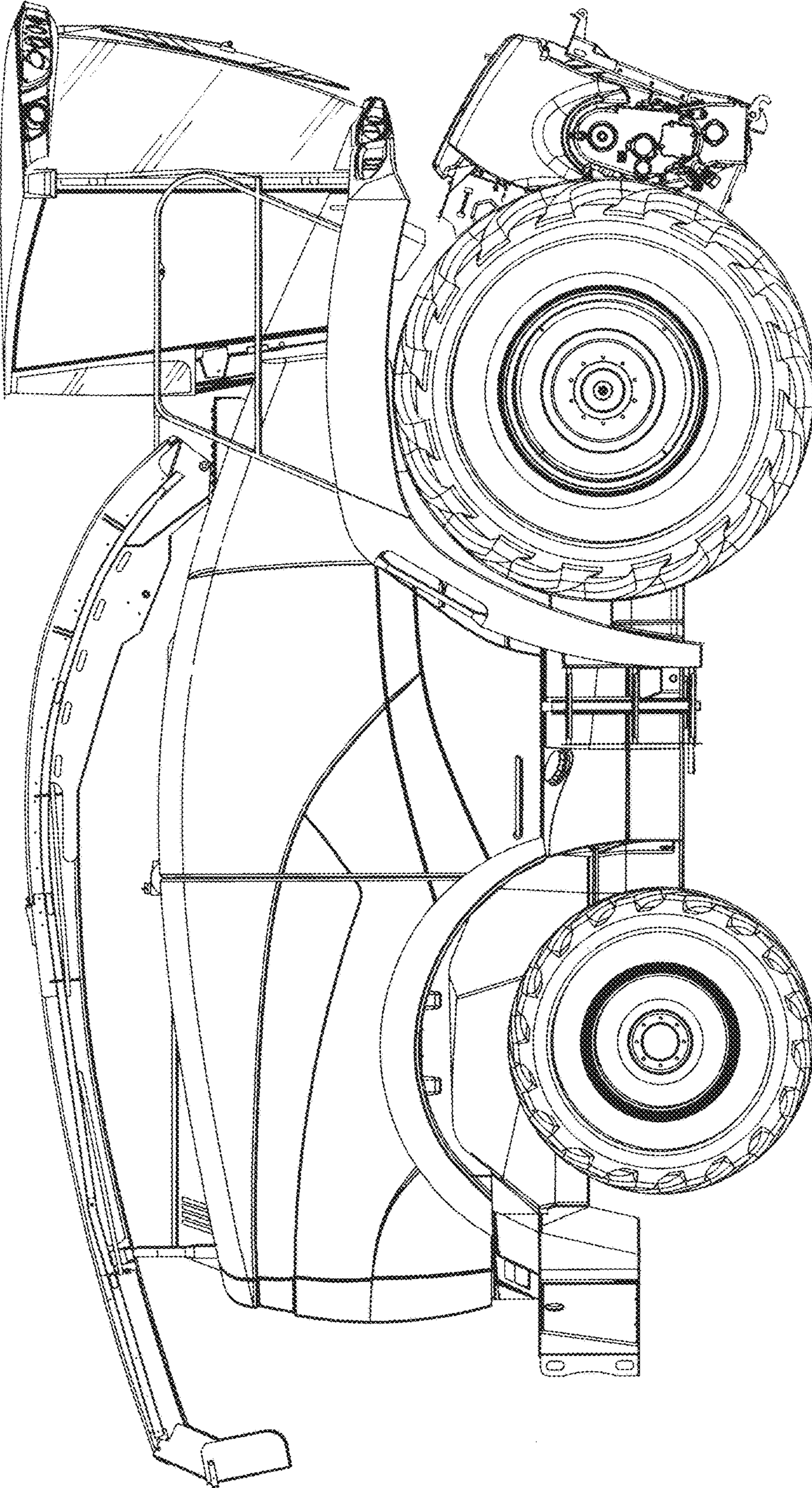


FIG. 4

UNITED STATES PATENT AND TRADEMARK OFFICE  
**CERTIFICATE OF CORRECTION**

PATENT NO. : D826,994 S  
APPLICATION NO. : 29/606529  
DATED : August 28, 2018  
INVENTOR(S) : Raf De Smet, Ben Depoorter and Nic Vanderstraeten

Page 1 of 1

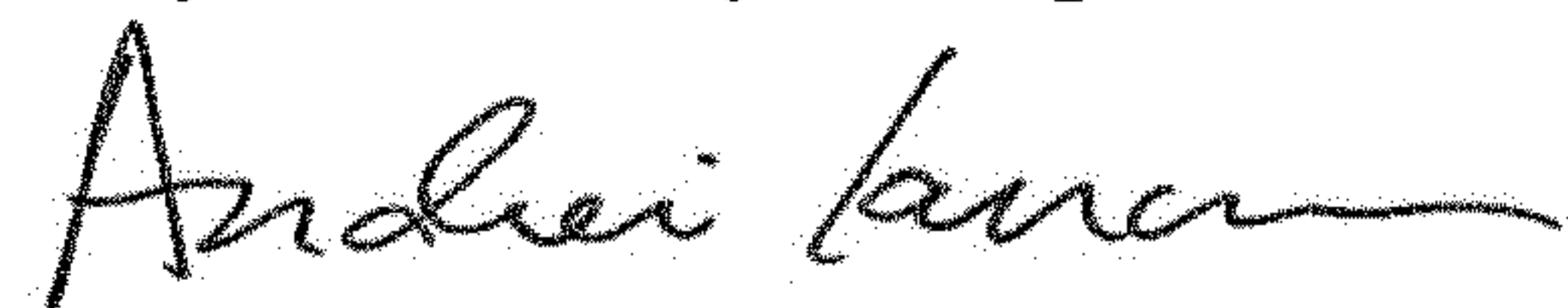
It is certified that error appears in the above-identified patent and that said Letters Patent is hereby corrected as shown below:

On the Title Page

Insert the following section:

-- (30) Foreign Application Priority Data  
Dec 5, 2016 (EM) 003501493 --

Signed and Sealed this  
Twenty-fourth Day of September, 2019



Andrei Iancu  
*Director of the United States Patent and Trademark Office*