



US00D826992S

(12) **United States Design Patent**
Bolinder et al.

(10) **Patent No.:** **US D826,992 S**
(45) **Date of Patent:** **** Aug. 28, 2018**

- (54) **DUMPER BODY**
- (71) Applicant: **Volvo Construction Equipment AB**,
Eskilstuna (SE)
- (72) Inventors: **Fredrik Bolinder**, Hisings Backa (SE);
Joakim Unneback, Eskilstuna (SE)
- (73) Assignee: **Volvo Construction Equipment AB**,
Eskilstuna (SE)
- (**) Term: **15 Years**
- (21) Appl. No.: **29/616,730**
- (22) Filed: **Sep. 8, 2017**
- (51) **LOC (11) Cl.** **15-03**
- (52) **U.S. Cl.**
USPC **D15/10; D15/21; D12/15**
- (58) **Field of Classification Search**
USPC D15/10, 21-26, 28, 33; D12/14, 15, 98,
D12/82, 96; D21/431, 434; 37/403, 413,
37/442, 443, 412; 414/24.5, 685, 688,
414/722, 724, 493, 526; 180/234, 641
CPC B62D 21/186; B62D 33/02; B62D 33/00;
B60Y 2200/142; B60P 1/28; B60P 1/04;
B60P 1/286; B60P 1/16; B60G 2300/026;
B60G 2300/0262; B60G 2300/02; B60G
2300/50
See application file for complete search history.

(56) **References Cited**

U.S. PATENT DOCUMENTS

- 3,599,819 A * 8/1971 Leijon E02F 3/345
298/17.6
- 3,964,791 A * 6/1976 Griffis B60P 1/28
105/261.1
- D240,613 S * 7/1976 Thomas et al. D12/15
- 4,141,591 A * 2/1979 Spicer B62D 33/0636
180/327
- D289,748 S * 5/1987 Proeschl D12/15

- D298,612 S * 11/1988 Douglas D12/15
- D349,872 S * 8/1994 Chaseling D12/15
- D386,128 S * 11/1997 Gerding D12/15
- D471,920 S * 3/2003 Chaseling D15/10
- D476,340 S * 6/2003 Niebuhr D15/10
- 6,578,925 B1 * 6/2003 Baker B60L 11/02
180/167
- 6,619,754 B1 * 9/2003 Dombek B62B 3/08
298/1 C
- 6,783,187 B2 * 8/2004 Parsons B60G 17/016
298/22 R
- 6,863,351 B2 * 3/2005 Baker B60L 11/02
180/167
- 7,207,621 B2 * 4/2007 D'Amico B60P 1/286
296/183.1
- D560,553 S * 1/2008 Vance D12/15
- D572,274 S * 7/2008 Buck D15/10

(Continued)

OTHER PUBLICATIONS

Images of Volvo Construction Equipment Autonomous Dumper Model HX01 Prototype, disclosed at Xploration Forum, Eskilstuna, Sweden, Sep. 12-16, 2016.

Primary Examiner — Mark A Goodwin
(74) *Attorney, Agent, or Firm* — Tucker Ellis LLP

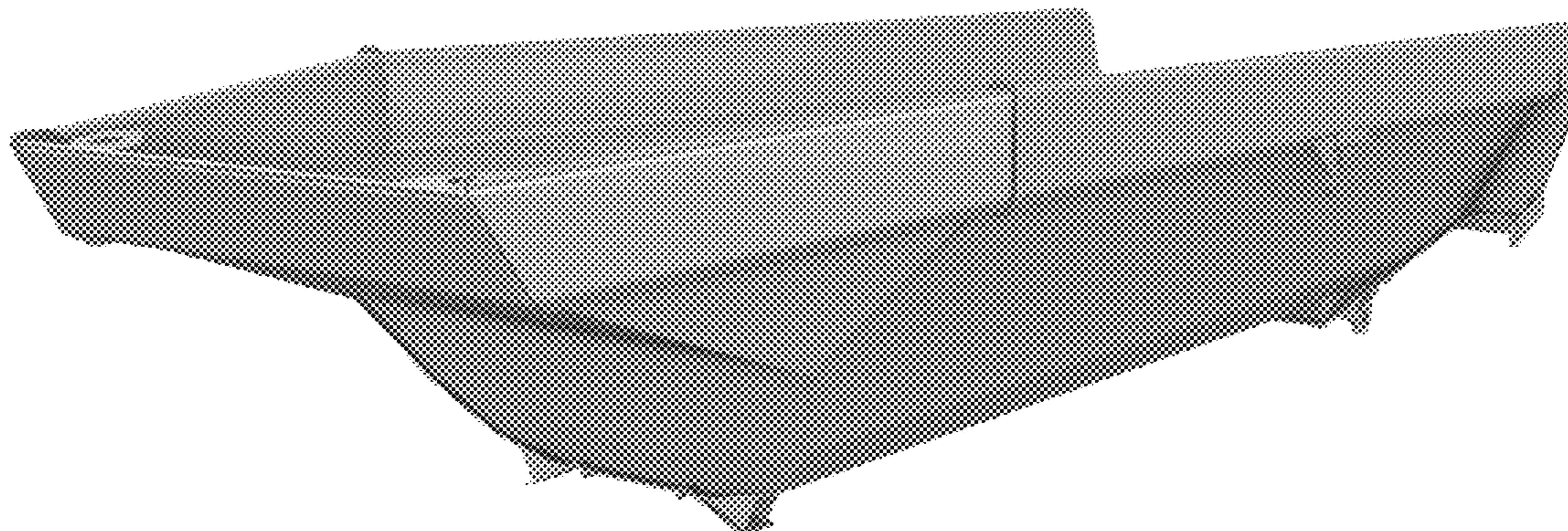
(57) **CLAIM**

The ornamental design for a dumper body, as shown and described.

DESCRIPTION

FIG. 1 is a front-left perspective view of a dumper body showing our new design.
FIG. 2 is a rear-right perspective view thereof.
FIG. 3 is a front view thereof.
FIG. 4 is a rear view thereof.
FIG. 5 is a left side view thereof.
FIG. 6 is a right side view thereof; and,
FIG. 7 is a top view thereof.

1 Claim, 5 Drawing Sheets



(56)

References Cited

U.S. PATENT DOCUMENTS

7,494,314	B2 *	2/2009	Bares	B28C 5/4296 414/680
D596,076	S *	7/2009	Kelley	D12/15
D678,123	S *	3/2013	Werner	D12/15
D689,909	S *	9/2013	Suzuki	D12/15
D721,988	S *	2/2015	Graber	D12/15
9,643,527	B2 *	5/2017	Uranaka	B60G 3/20
9,783,041	B2 *	10/2017	Uranaka	B60K 11/04
D805,430	S *	12/2017	Strong	D12/15
D808,441	S *	1/2018	Brueggen	D15/24
D808,442	S *	1/2018	Brueggen	D15/24
9,868,343	B2 *	1/2018	Uranaka	B62D 21/11
D809,570	S *	2/2018	Brueggen	D15/24
9,889,882	B2 *	2/2018	Uranaka	B60G 3/20
2002/0175009	A1 *	11/2002	Kress	B60K 7/0007 180/199
2004/0146389	A1 *	7/2004	Bares	B28C 5/4296 414/722
2011/0204698	A1 *	8/2011	Westner	B60H 1/00014 298/17 R
2014/0027229	A1 *	1/2014	Tojima	B60L 5/24 191/64
2014/0041951	A1 *	2/2014	Tojima	B60L 5/24 180/2.1
2014/0262591	A1 *	9/2014	Turner	B60P 1/649 180/312

* cited by examiner

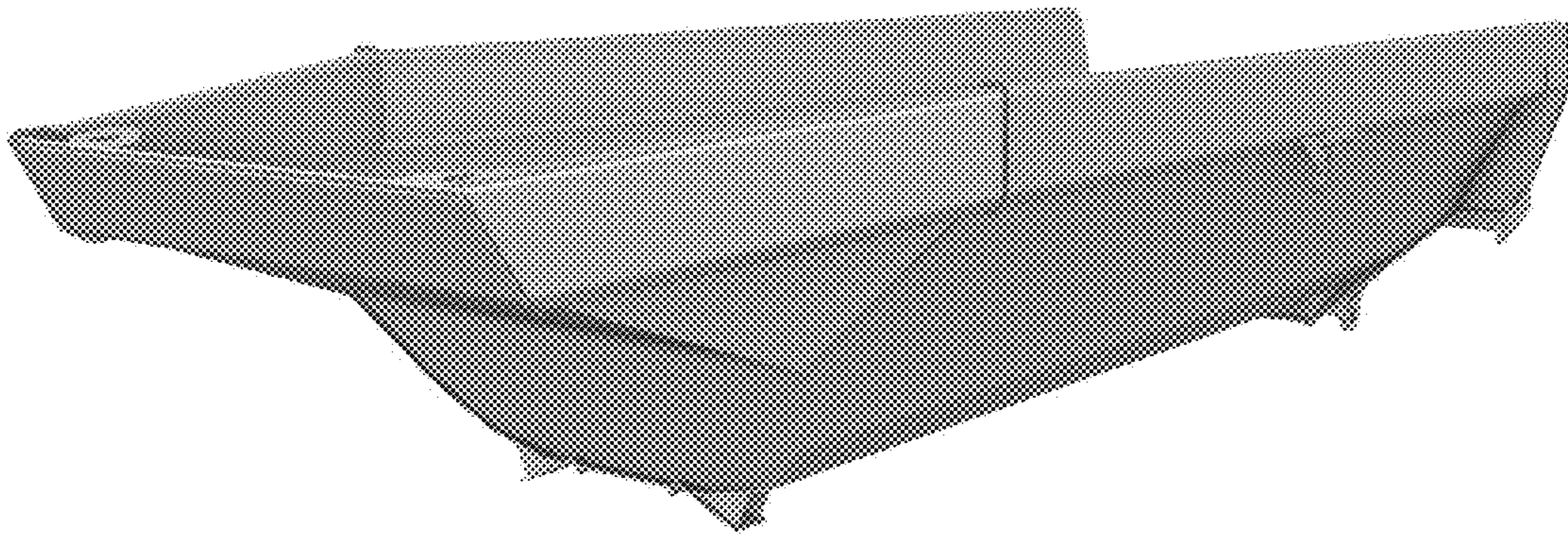


FIG. 1

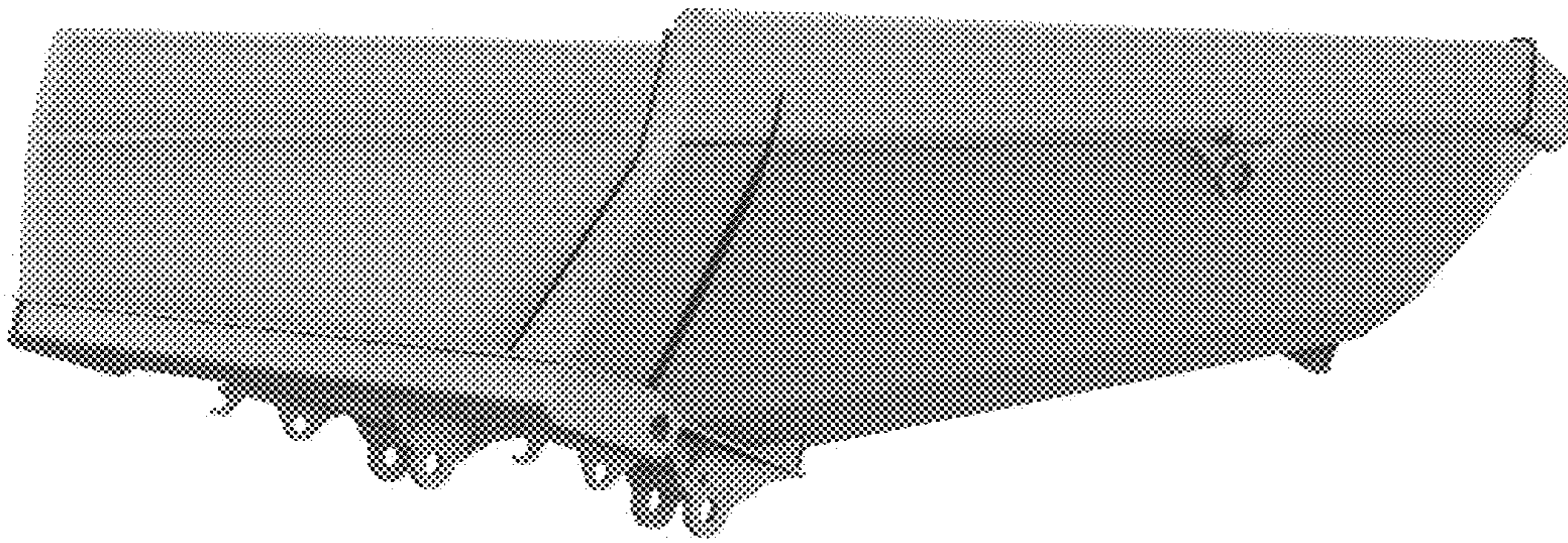


FIG. 2

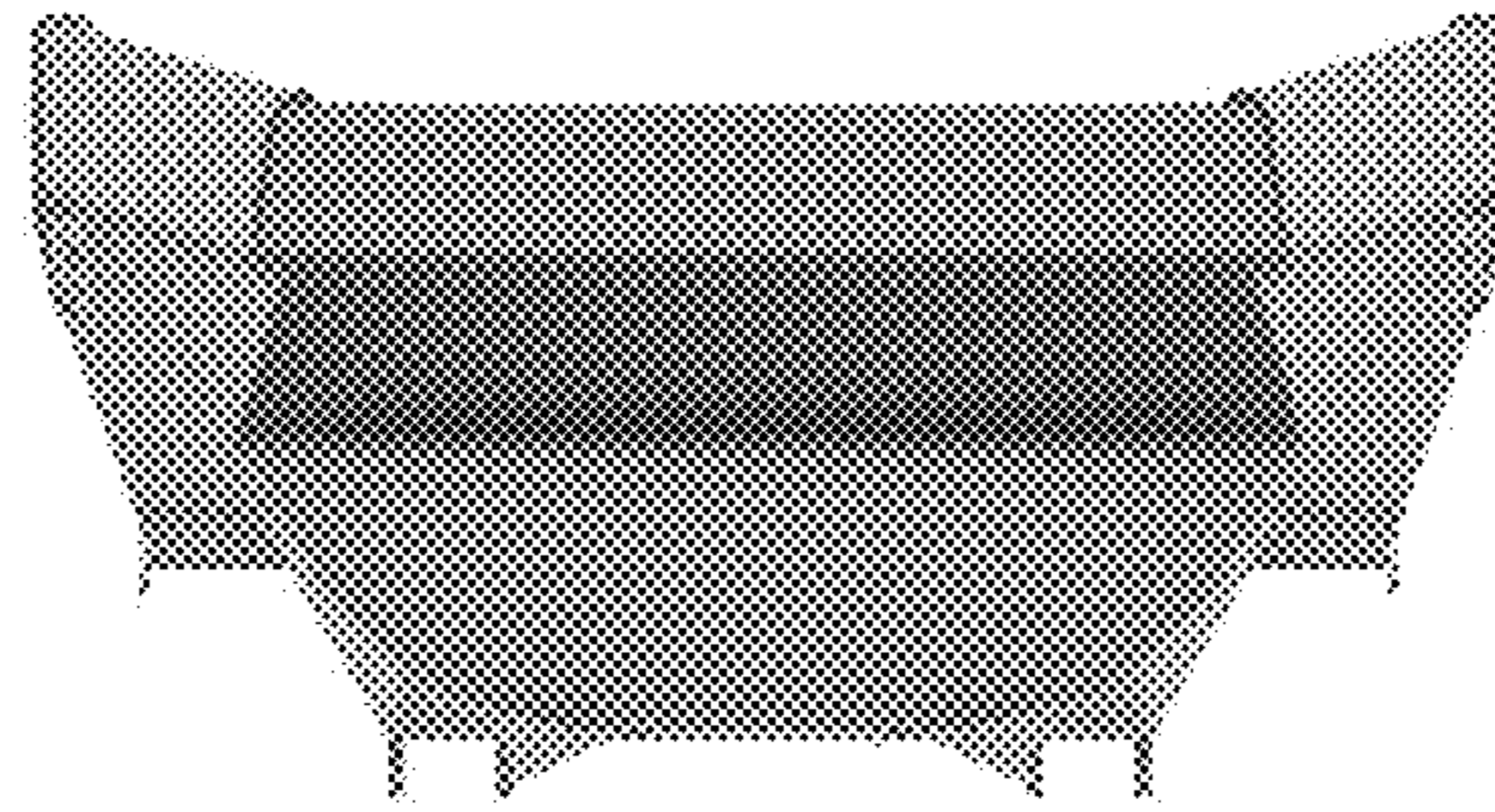


FIG. 3

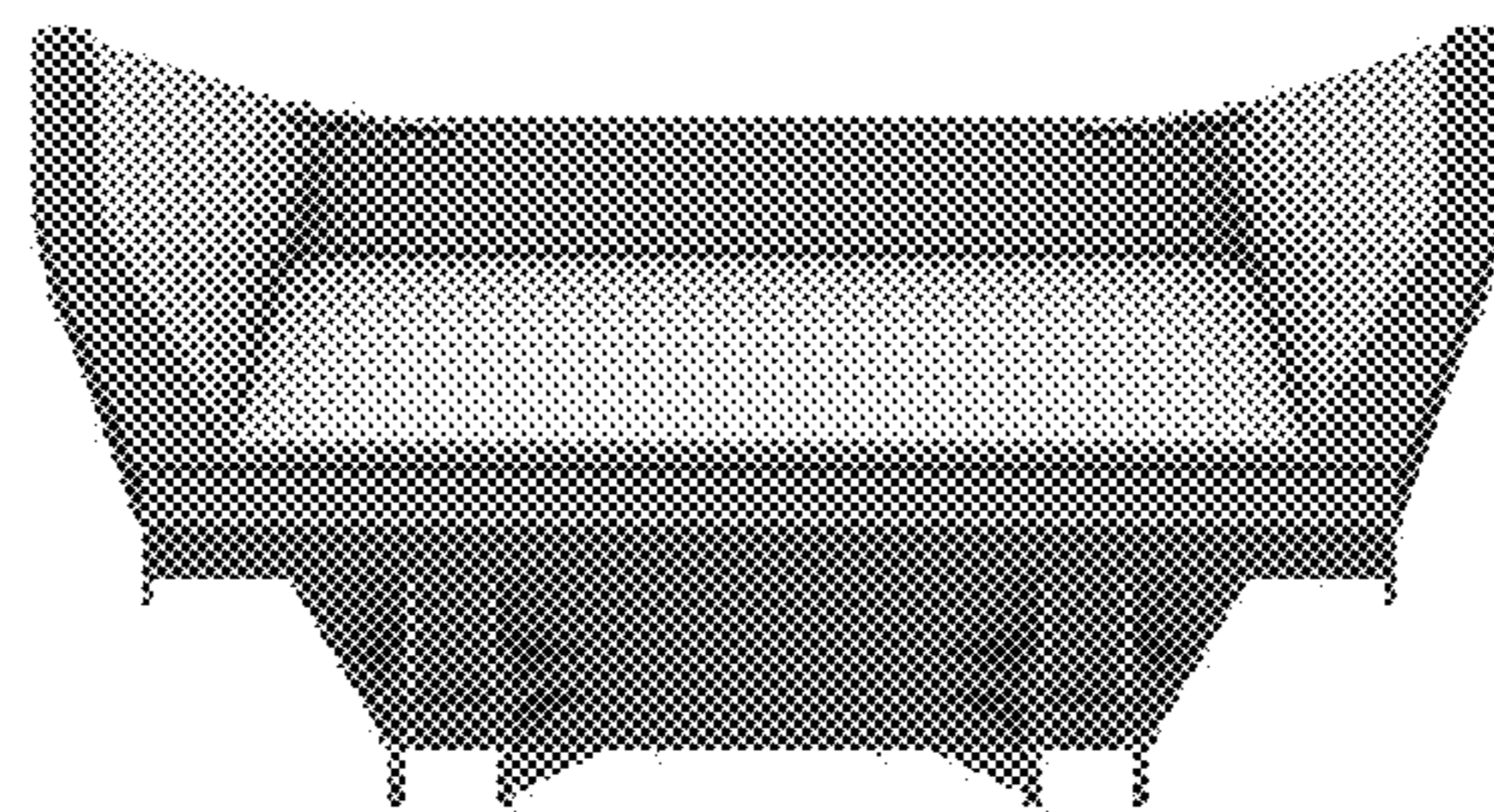


FIG. 4

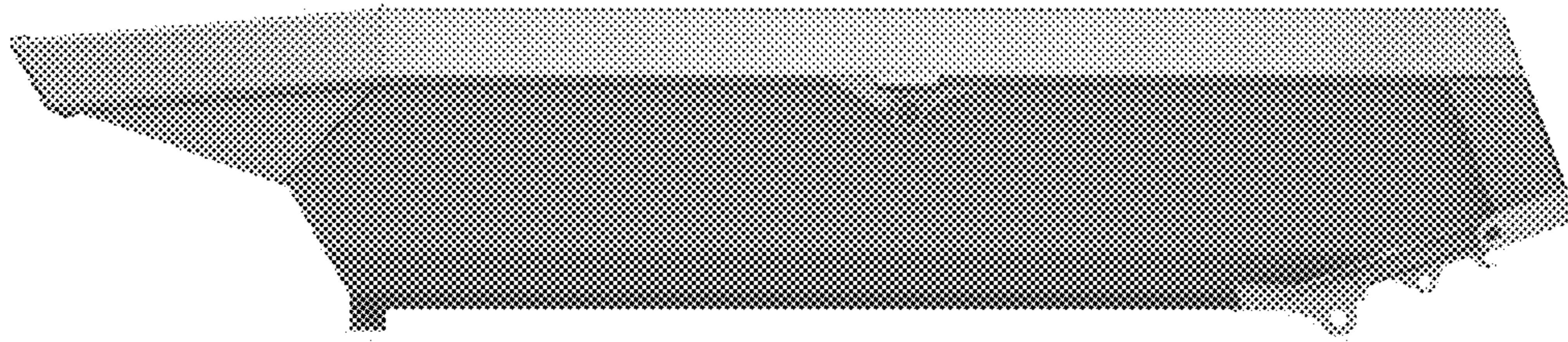


FIG. 5

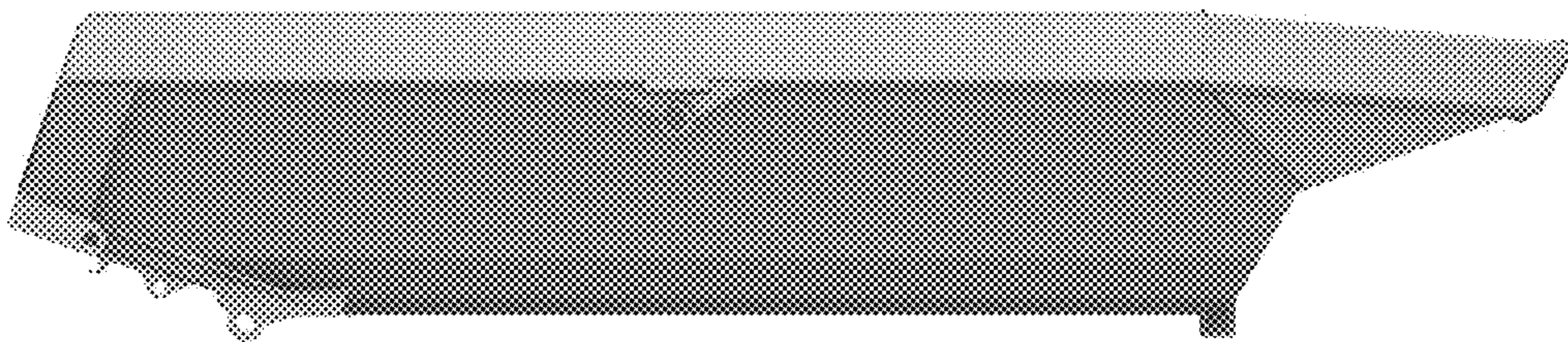


FIG. 6

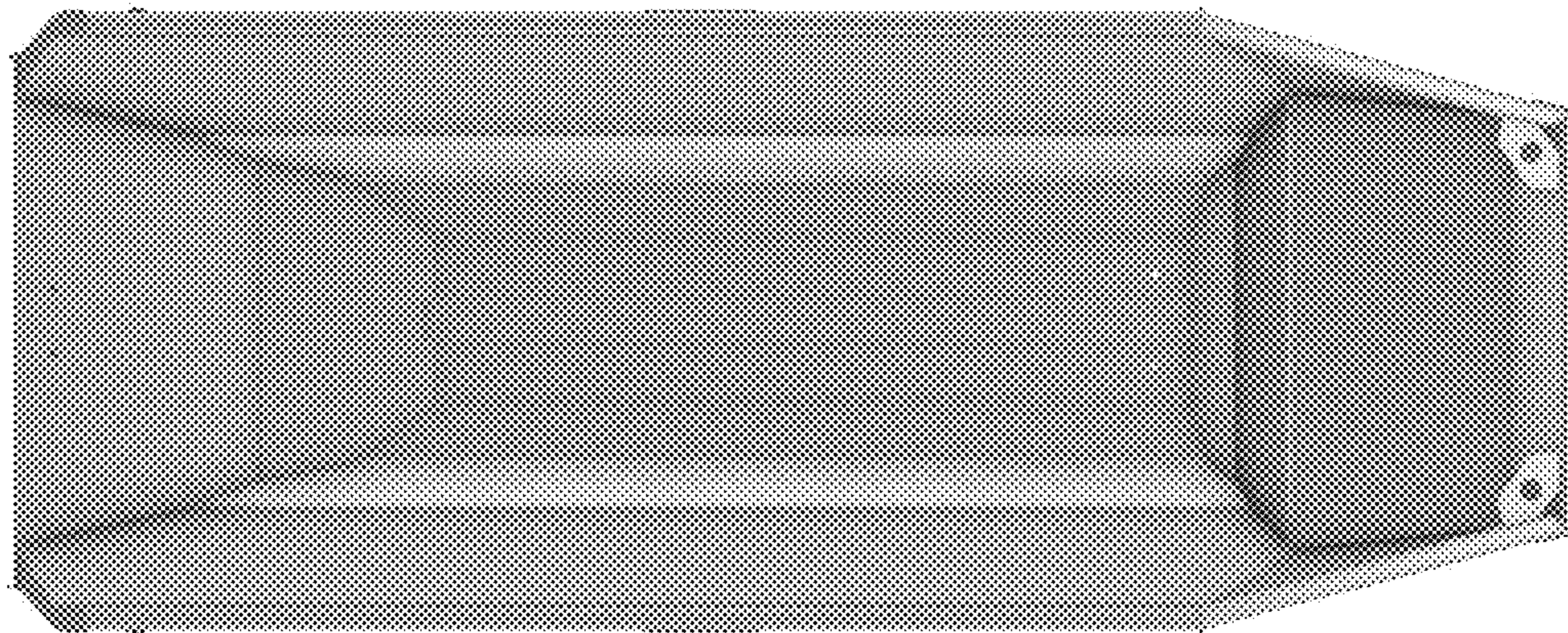


FIG. 7