



US00D826991S

(12) **United States Design Patent** (10) **Patent No.:** **US D826,991 S**
Kennedy et al. (45) **Date of Patent:** **** Aug. 28, 2018**

- (54) **HOSE PROTECTION SLEEVE COUPLING**
- (71) Applicant: **SAGE PRODUCTS, LLC**, Cary, IL (US)
- (72) Inventors: **Jeffrey A. Kennedy**, Algonquin, IL (US); **Brian J. Ecklund**, Lakemoor, IL (US); **Mark D. Olson**, Crystal Lake, IL (US); **Craig S. Golden**, Arlington Heights, IL (US)
- (73) Assignee: **SAGE PRODUCTS, LLC**, Cary, IL (US)
- (**) Term: **15 Years**
- (21) Appl. No.: **29/592,976**
- (22) Filed: **Feb. 3, 2017**
- (51) **LOC (11) Cl.** **15-02**
- (52) **U.S. Cl.**
USPC **D15/7**
- (58) **Field of Classification Search**
USPC D15/5, 7-9; D23/225, 227, 231, 232; 417/60, 235, 265, 321, 355, 358, 363, 417/359, 410.1, 415-416, 405, 900, 269, 417/539; 60/408, 412; 184/26-37; 415/140-147; 123/495, 509; 137/565.34
CPC F02M 37/04; F02M 37/14; F04B 53/92; F04B 1/005; F04D 13/06; F04D 29/22; F04D 29/046; F04D 29/2266
See application file for complete search history.

D654,508 S *	2/2012	Foreman	D15/7
D689,100 S *	9/2013	Wirz Luchsinger	D15/7
D693,850 S *	11/2013	Haider	D15/7
D704,225 S *	5/2014	Lee	D15/5
D704,226 S *	5/2014	Lee	D15/5
D705,819 S *	5/2014	Seymour	D15/9
D707,717 S *	6/2014	King	D15/7
D736,833 S *	8/2015	Lee	D15/5
D764,551 S *	8/2016	Fowler	D15/7
D802,024 S *	11/2017	Aoki	D15/5
D803,894 S *	11/2017	Kennedy	D15/7

* cited by examiner

Primary Examiner — Ralf Seifert

(74) *Attorney, Agent, or Firm* — Foley & Lardner LLP

(57) **CLAIM**

We claim the ornamental design for a hose protection sleeve coupling, as shown and described.

DESCRIPTION

FIG. 1 is a top, front, right perspective view of an embodiment of the claimed design;
 FIG. 2 is a bottom, front, left perspective view thereof;
 FIG. 3 is a right side elevation view thereof;
 FIG. 4 is a left side elevation view thereof;
 FIG. 5 is a front elevation view thereof;
 FIG. 6 is a rear elevation view thereof;
 FIG. 7 is a top plan view thereof; and,
 FIG. 8 is a bottom plan view thereof.

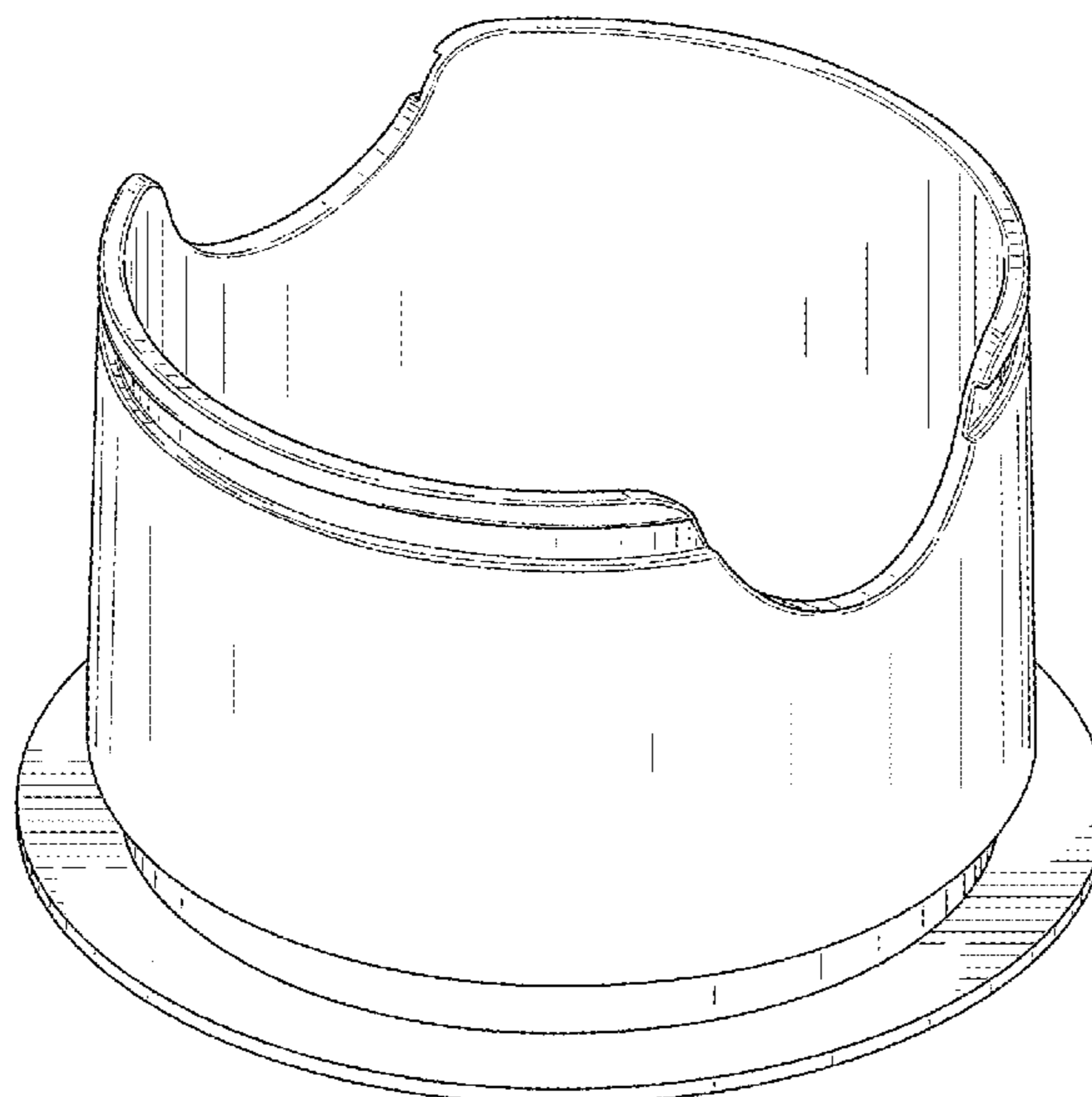
The ornamental design which is claimed is shown in solid lines in the drawings. The broken lines in the drawings are for illustrative purposes only and form no part of the claimed design. Broken lines formed by equal length dashes show unclaimed subject matter. Broken lines formed by unequal length dashes (i.e., dash-dot) define bounds of the claimed design.

1 Claim, 8 Drawing Sheets

(56) **References Cited**

U.S. PATENT DOCUMENTS

D589,060 S *	3/2009	Metcalf	D15/7
D609,249 S *	2/2010	Foreman	D15/7
D631,066 S *	1/2011	Itadani	D15/9



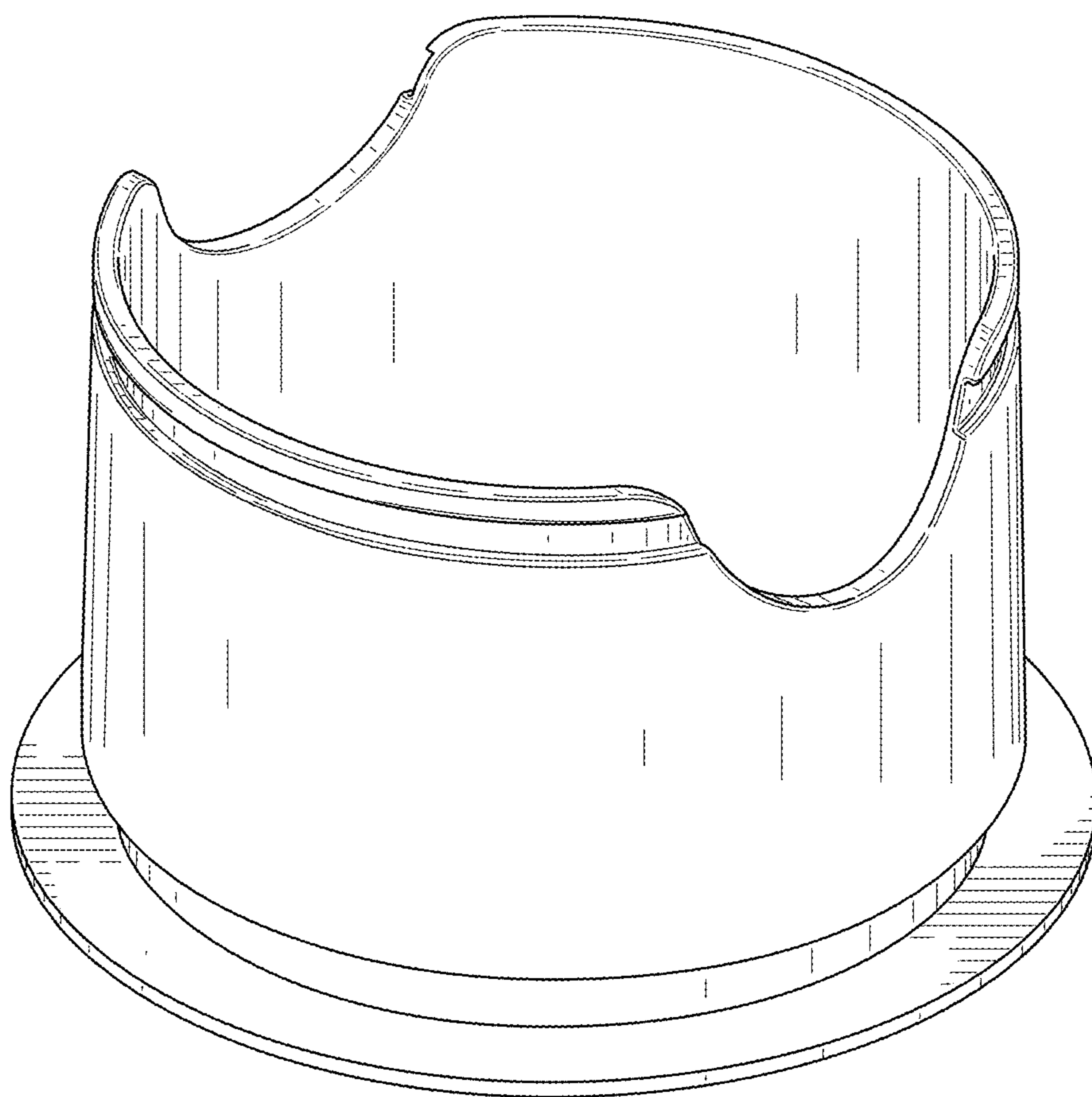


FIG. 1

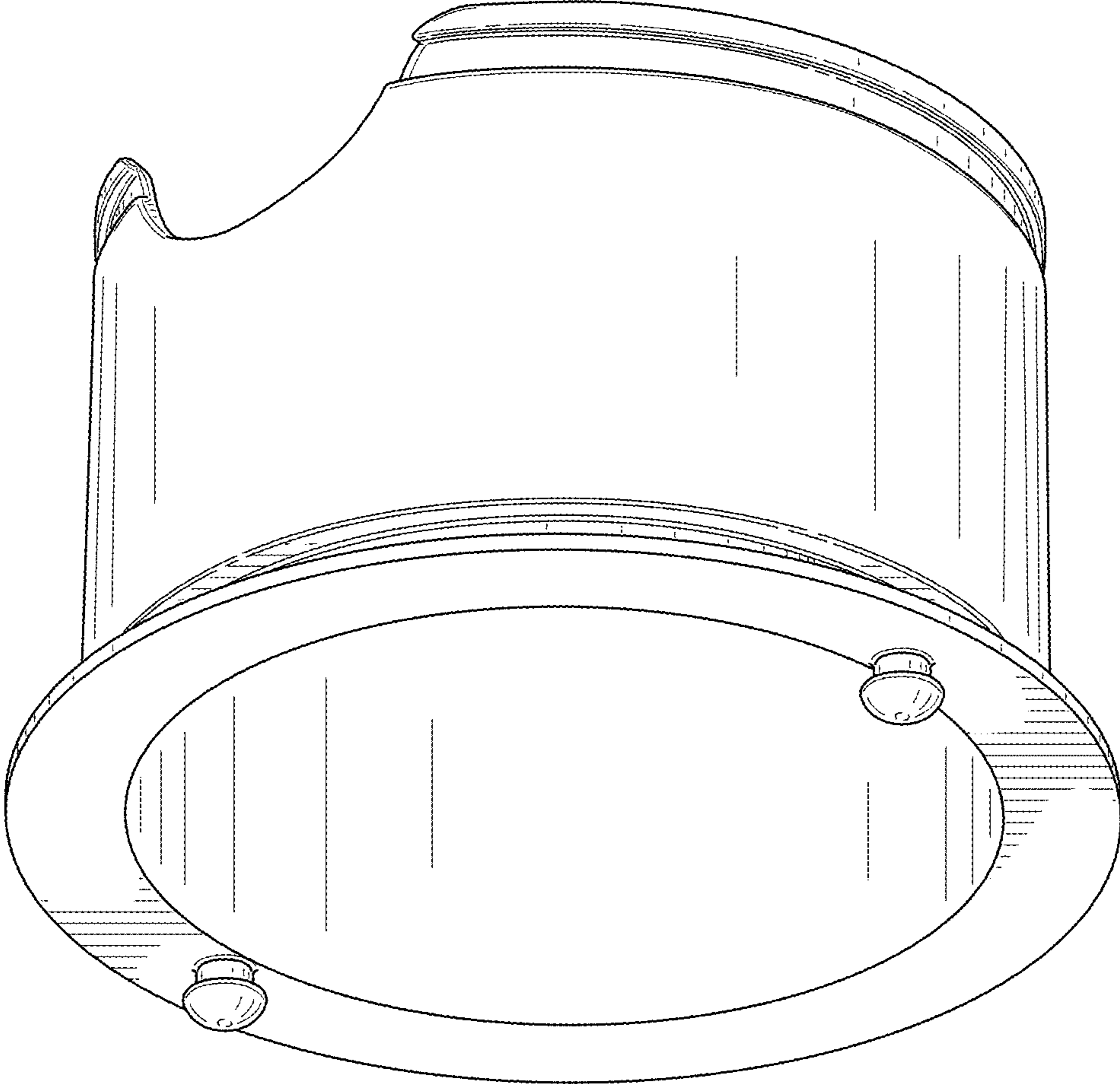


FIG. 2

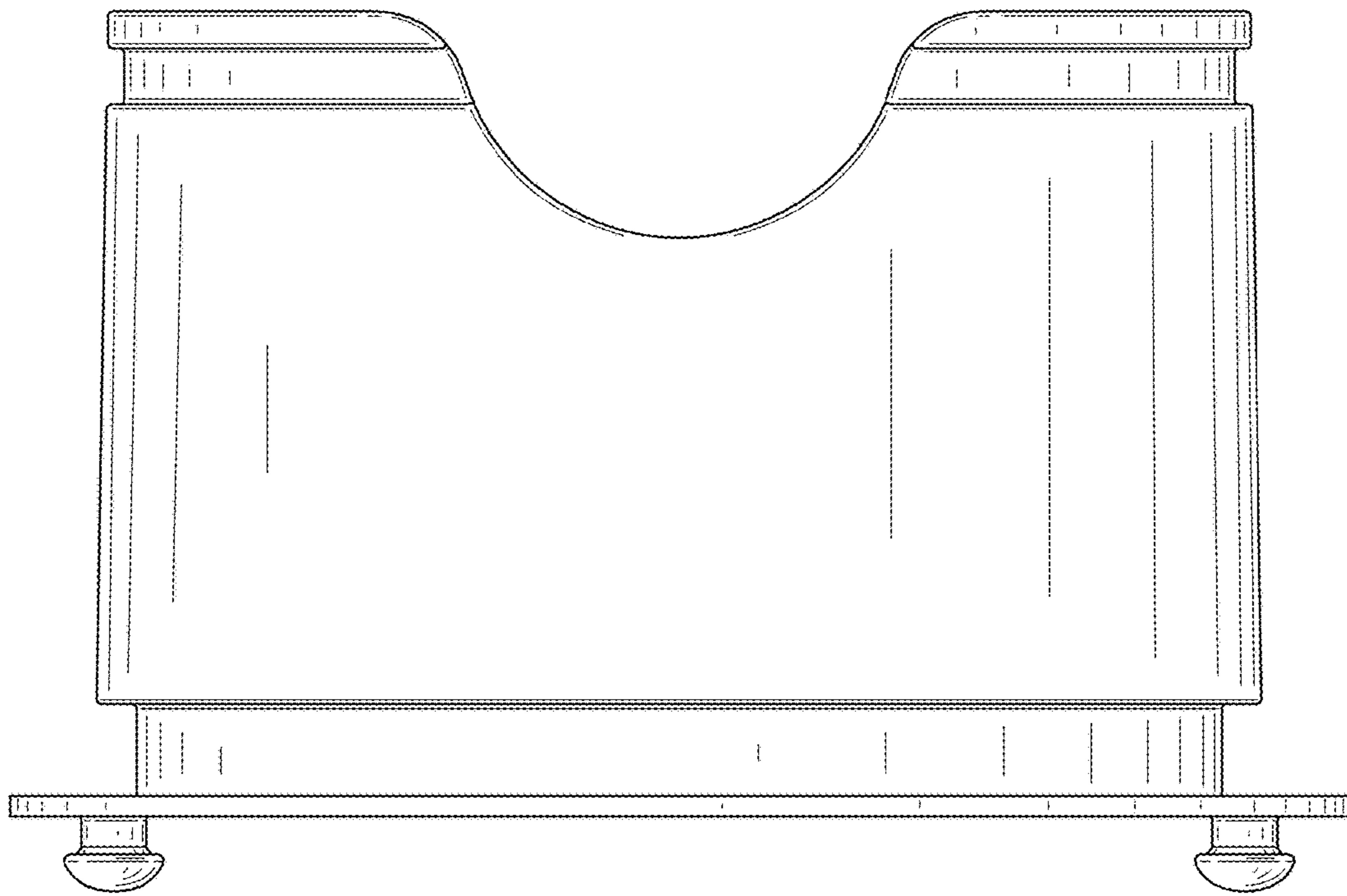


FIG. 3

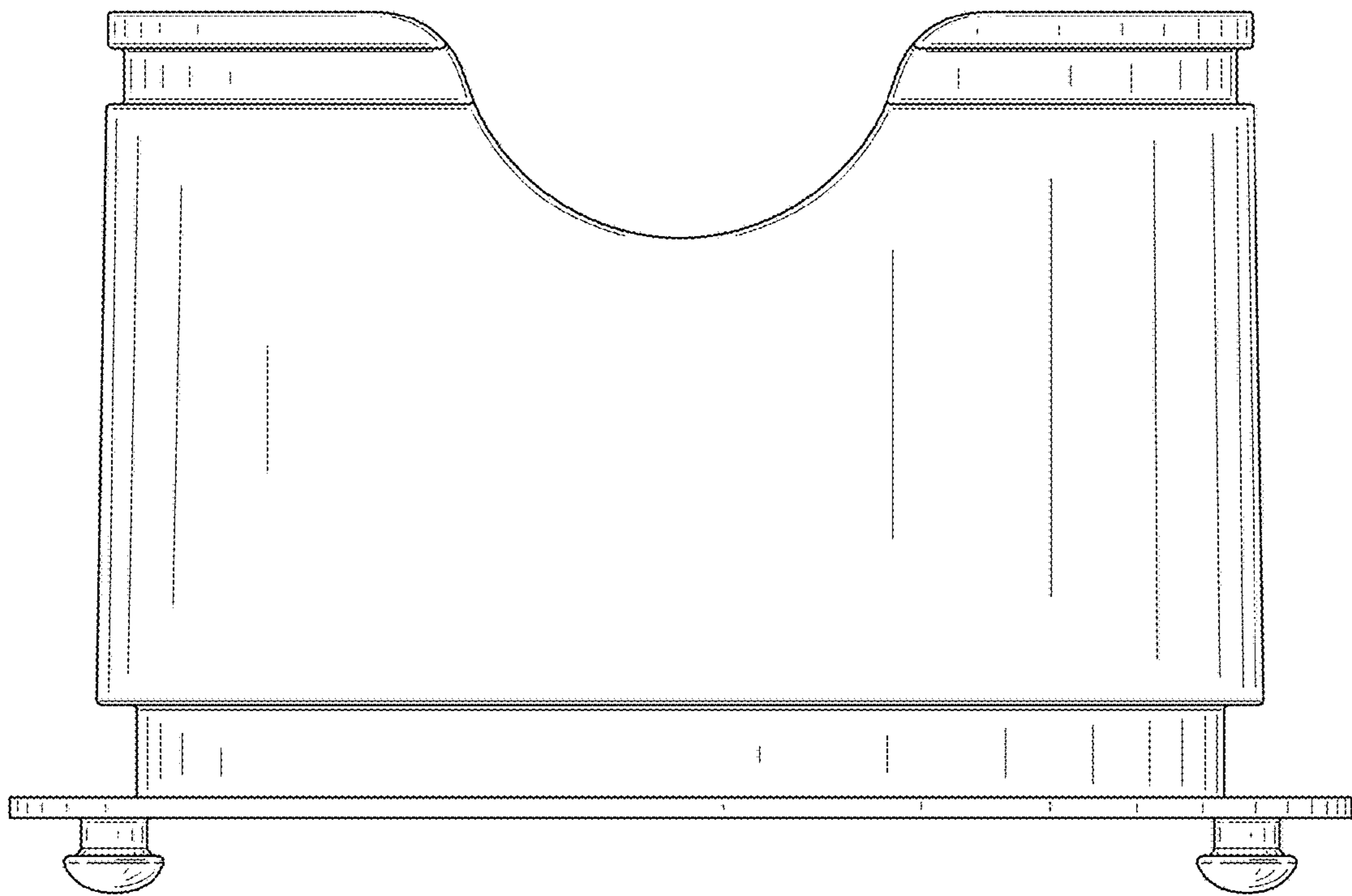


FIG. 4

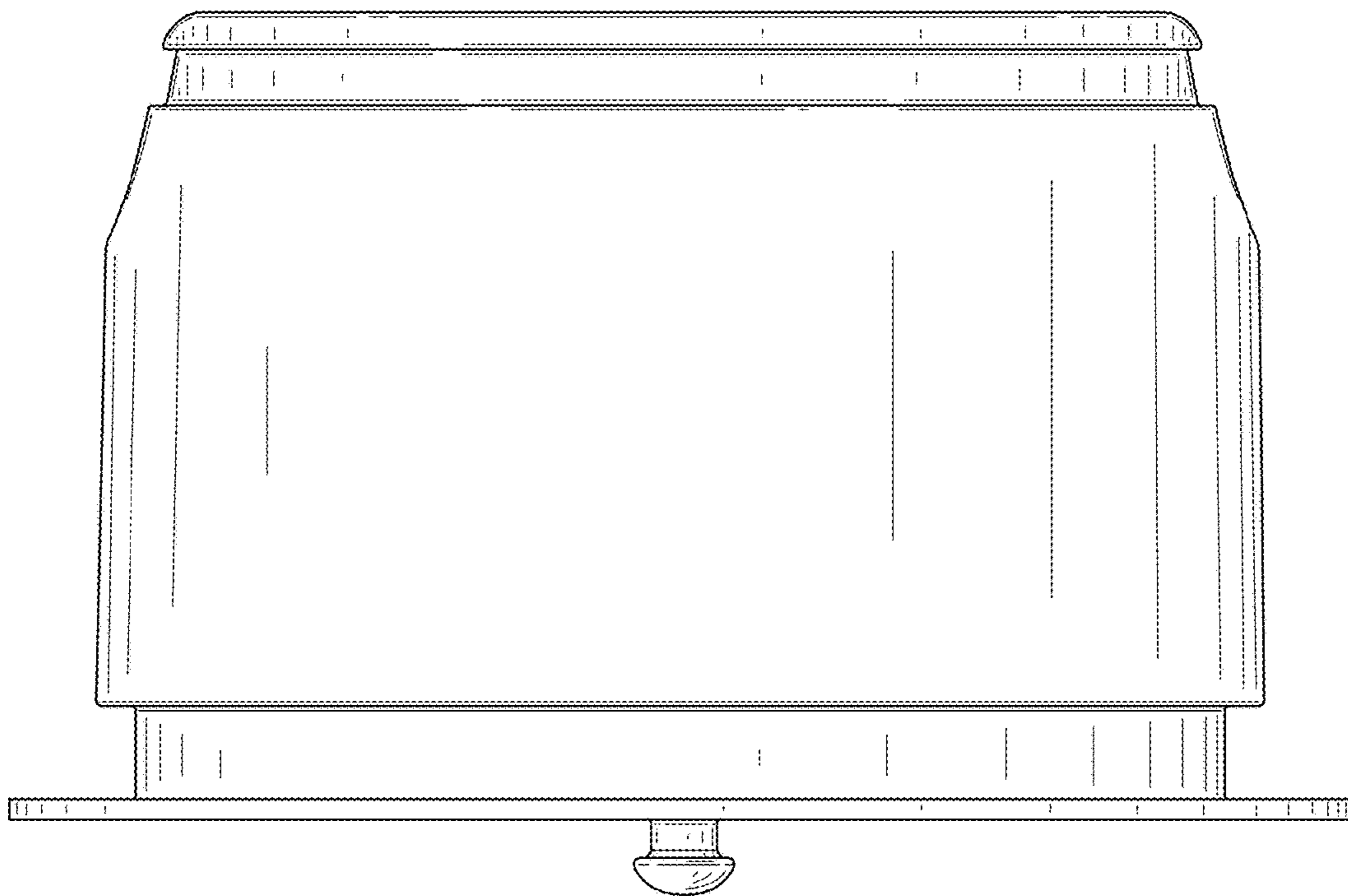


FIG. 5

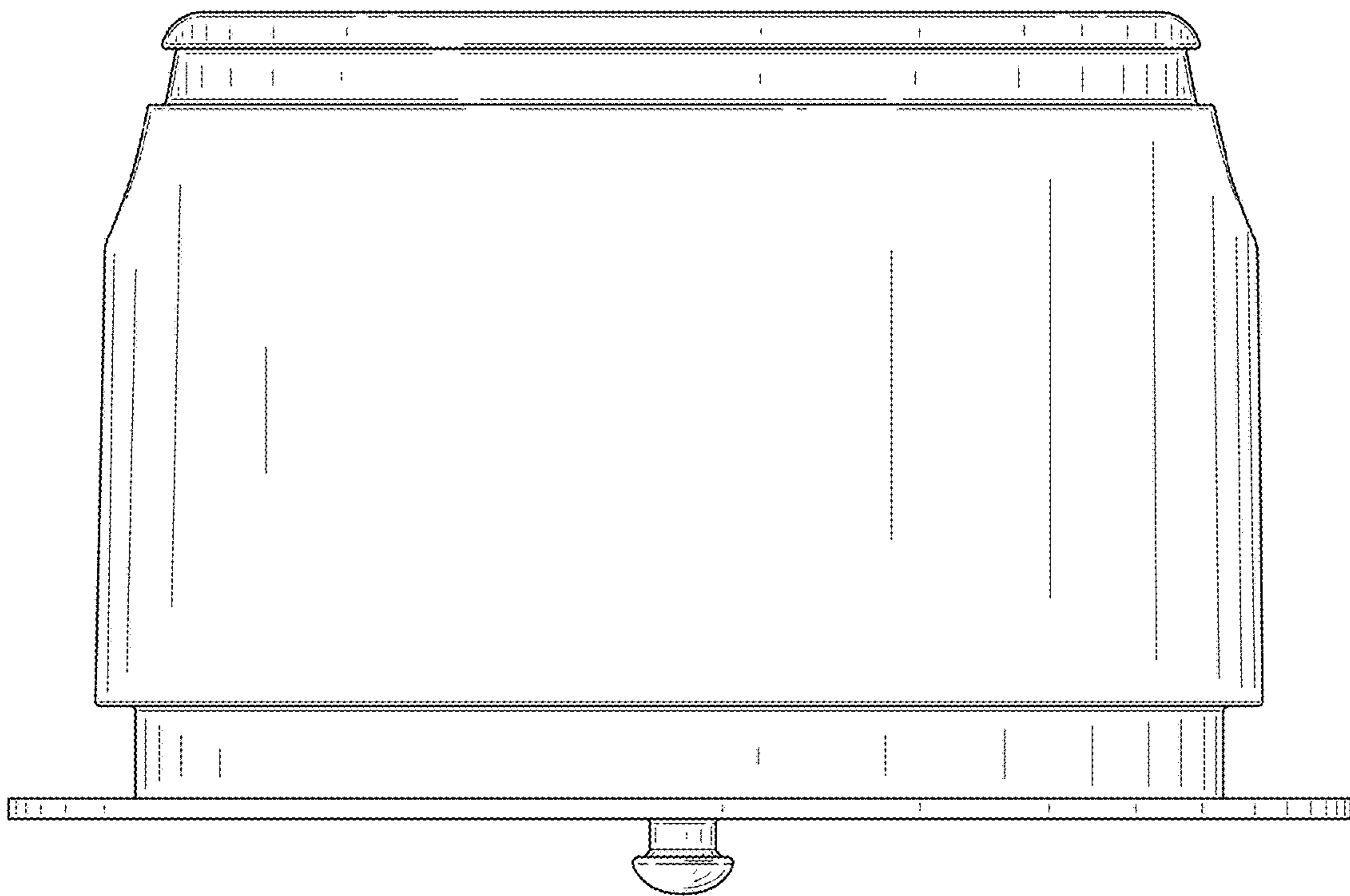


FIG. 6

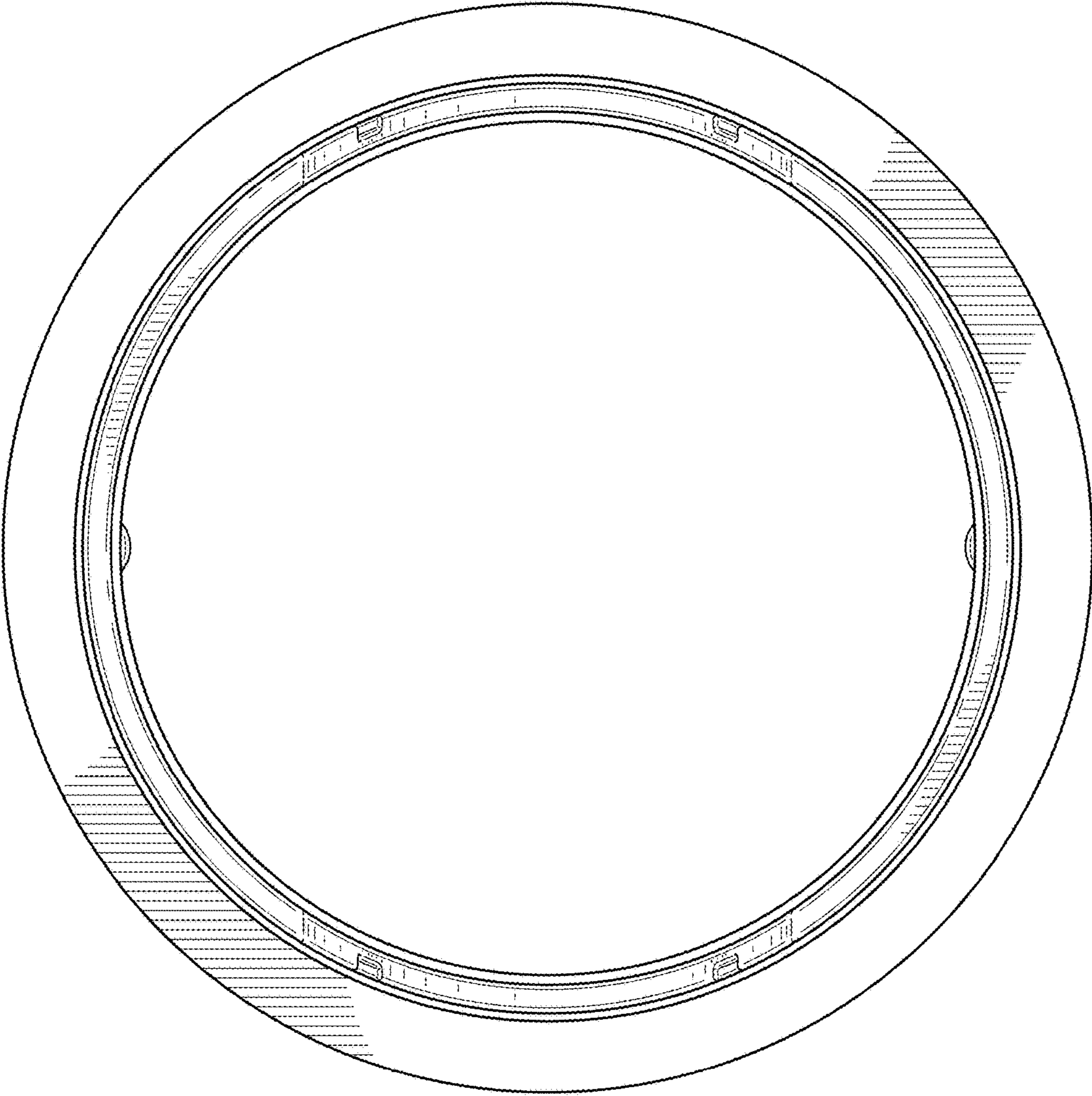


FIG. 7

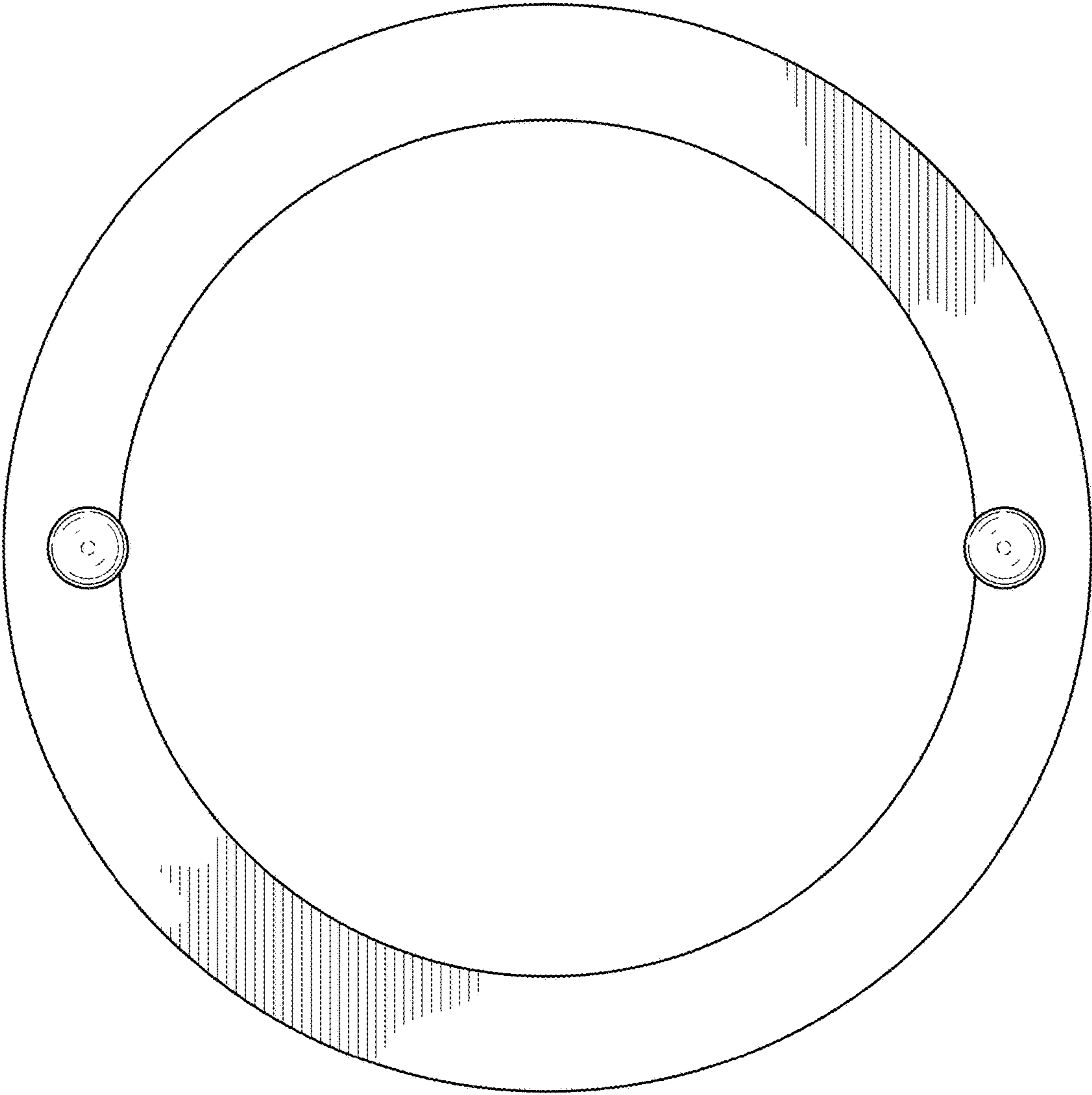


FIG. 8