



US00D826990S

(12) **United States Design Patent**
Landi

(10) **Patent No.:** **US D826,990 S**

(45) **Date of Patent:** **** Aug. 28, 2018**

(54) **VALVE**

(71) Applicant: **Frank Landi**, New York, NY (US)

(72) Inventor: **Frank Landi**, New York, NY (US)

(73) Assignee: **NSI INTERNATIONAL, INC.**, New York, NY (US)

(**) Term: **15 Years**

(21) Appl. No.: **29/583,869**

(22) Filed: **Nov. 9, 2016**

(51) **LOC (11) Cl.** **15-02**

(52) **U.S. Cl.**
USPC **D15/7**

(58) **Field of Classification Search**

USPC D15/5, 7; 446/222, 220, 224; D23/233, D23/235, 249; D21/453; 141/237, 313; 137/232, 233, 223, 224, 230; 473/593
CPC B60C 29/06; B60C 29/005; B60C 29/04; B60C 29/066; B60C 23/00; B60C 23/0494; B60C 29/068; F16K 15/20; A61M 25/1018; A61M 25/10185; A61M 25/10186; A61M 39/22; A63H 2027/1083

See application file for complete search history.

(56) **References Cited**

U.S. PATENT DOCUMENTS

2,998,022 A * 8/1961 Russell B63C 9/24
137/223
4,043,356 A * 8/1977 Morris A63B 41/12
137/223
4,586,910 A * 5/1986 Buchanan A63H 27/10
137/223
D311,055 S * 10/1990 Corley D15/7

9,709,183 B2 * 7/2017 Frayne F16K 15/202
2010/0130316 A1 * 5/2010 Steidle A63B 41/085
473/593
2012/0289120 A1 * 11/2012 Nelson A63H 27/10
446/224

* cited by examiner

Primary Examiner — Cynthia Ramirez

Assistant Examiner — Gino Colan

(74) *Attorney, Agent, or Firm* — Andrew F. Young, Esq.;
Lackebach Siegel, LLP

(57) **CLAIM**

The ornamental design for a valve, as shown and described.

DESCRIPTION

FIG. 1 is a front perspective view of a valve showing my new design.

FIG. 2 is a left side elevation view thereof.

FIG. 3 is a right side elevation view thereof.

FIG. 4 is a front elevation view thereof.

FIG. 5 is a rear elevation view thereof.

FIG. 6 is a top plan view thereof.

FIG. 7 is a bottom plan view thereof.

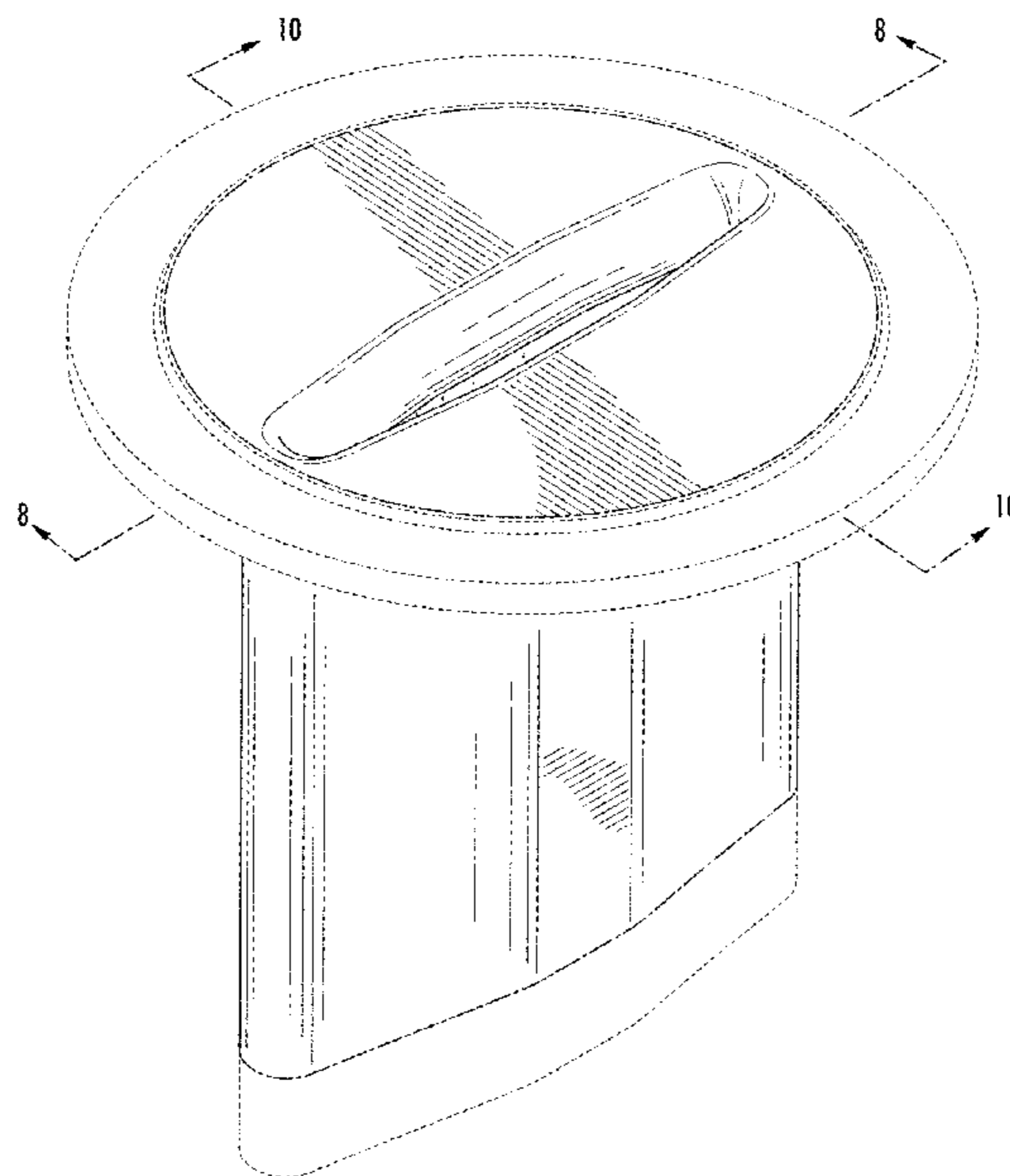
FIG. 8 is a perspective-sectional view of the inner surface thereof along section 8-8 in FIG. 1.

FIG. 9 is a front-section elevation view of the inner front side of FIG. 8, the rear-section elevation view being a mirror image thereof; and,

FIG. 10 is a right side-section elevation view of the inner right side surface thereof along section 10-10 in FIG. 1, the left side-section elevation view being a mirror image thereof.

The dash-dash lining in the figures indicate portions of the valve that form no part of the claimed design. The dash-dot-dash lines indicate bounds of the claimed design; and form no part thereof.

1 Claim, 10 Drawing Sheets



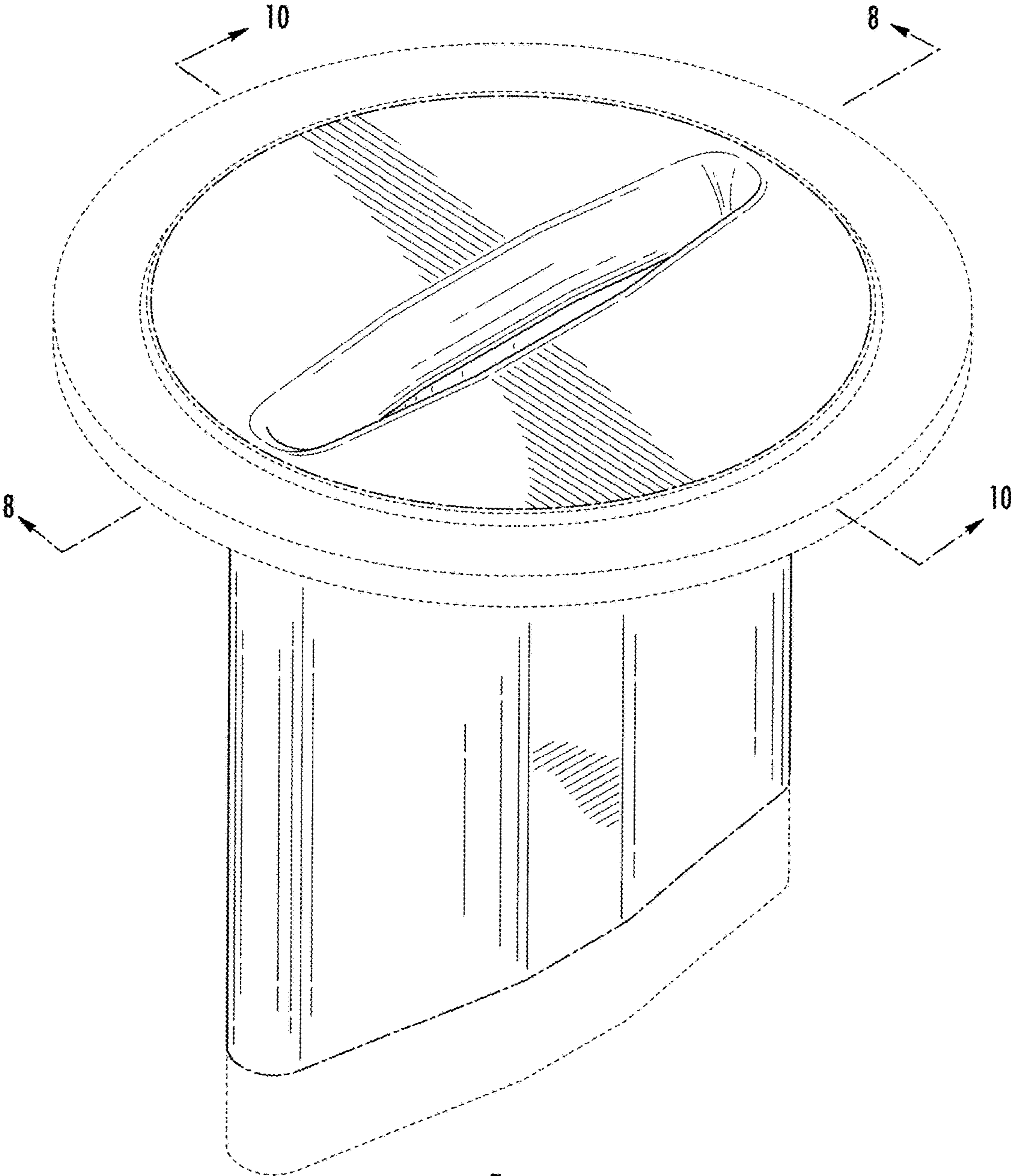


FIG. 1

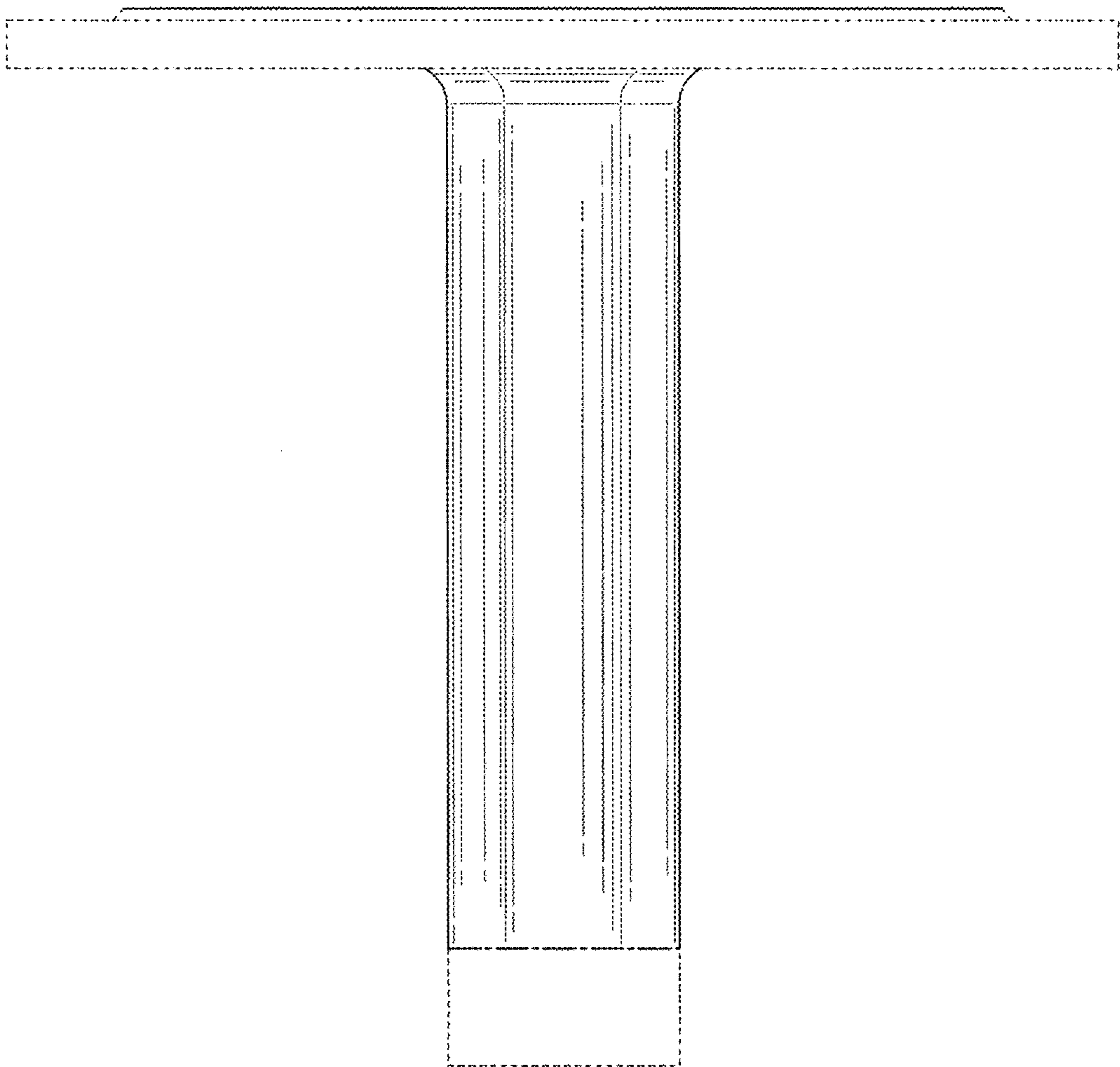


FIG. 2

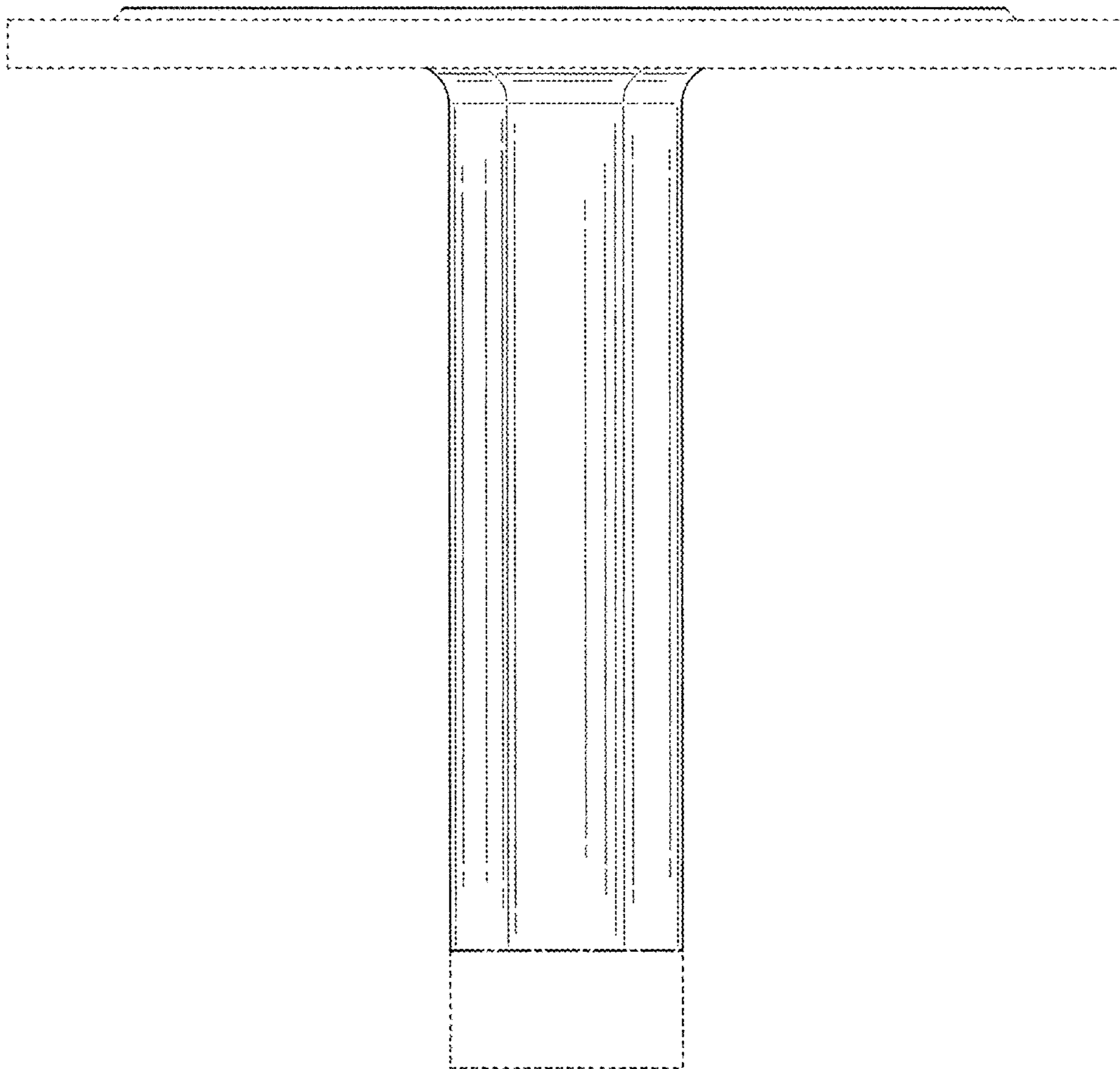


FIG. 3

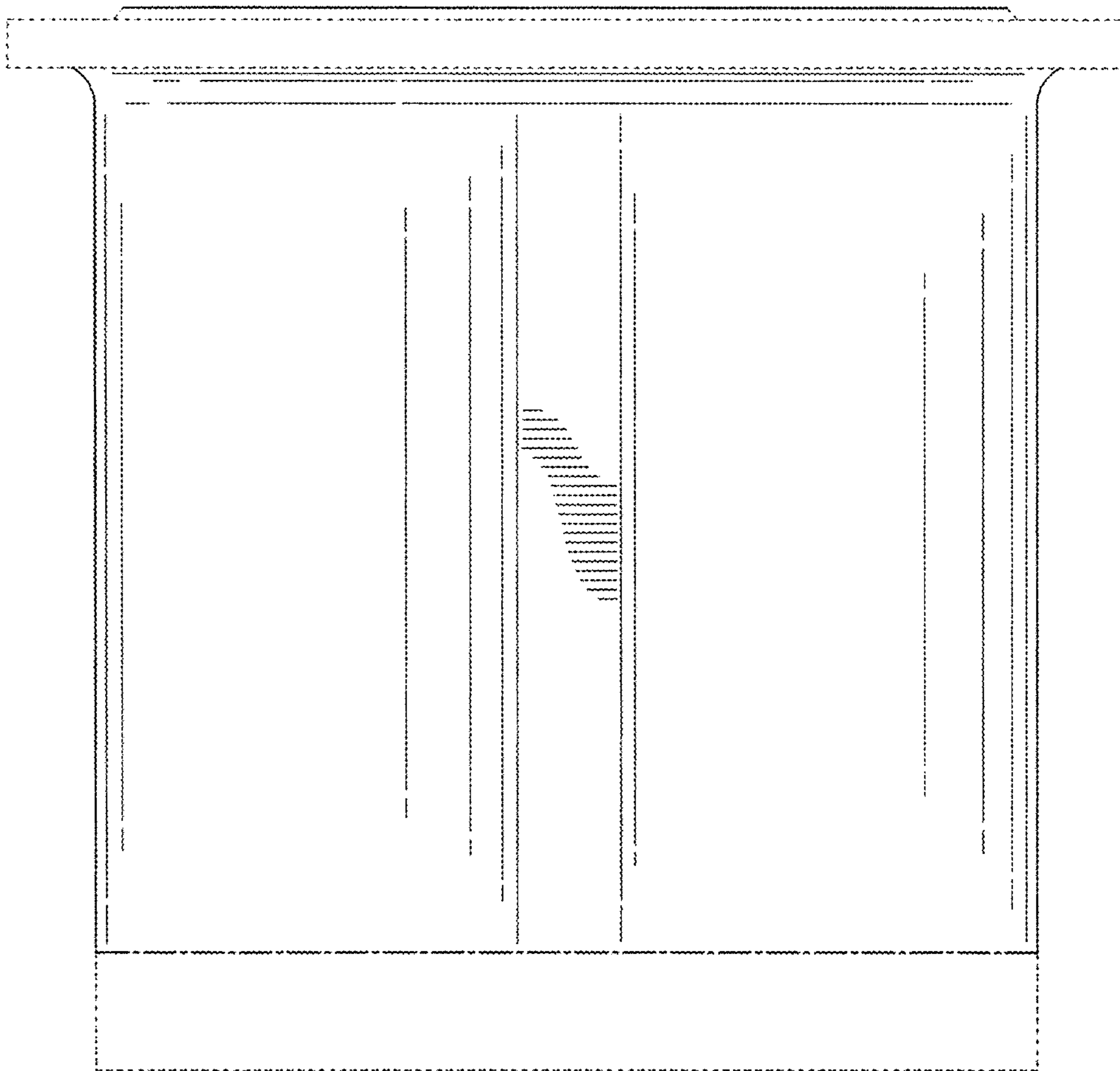


FIG. 4

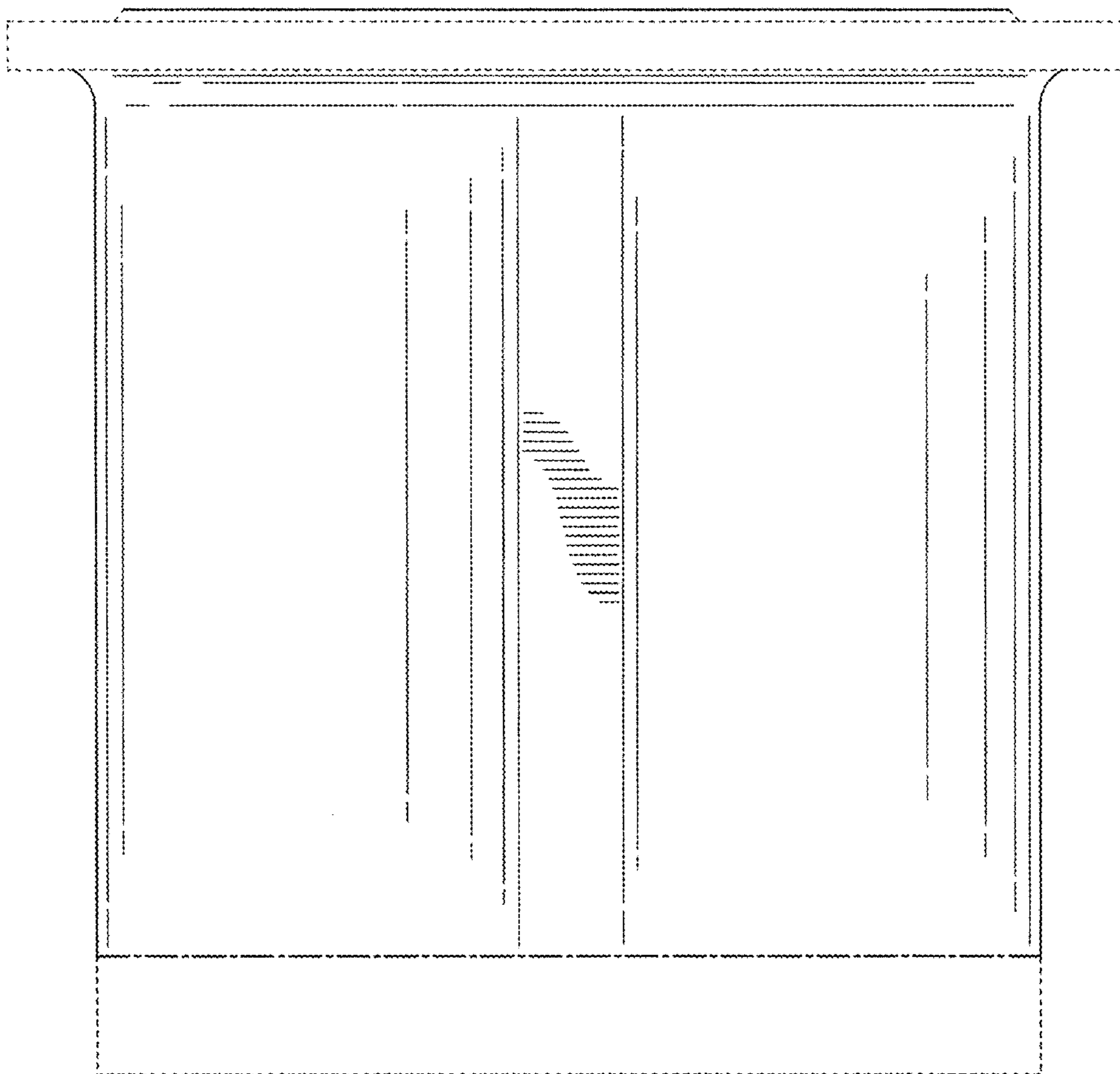


FIG. 5

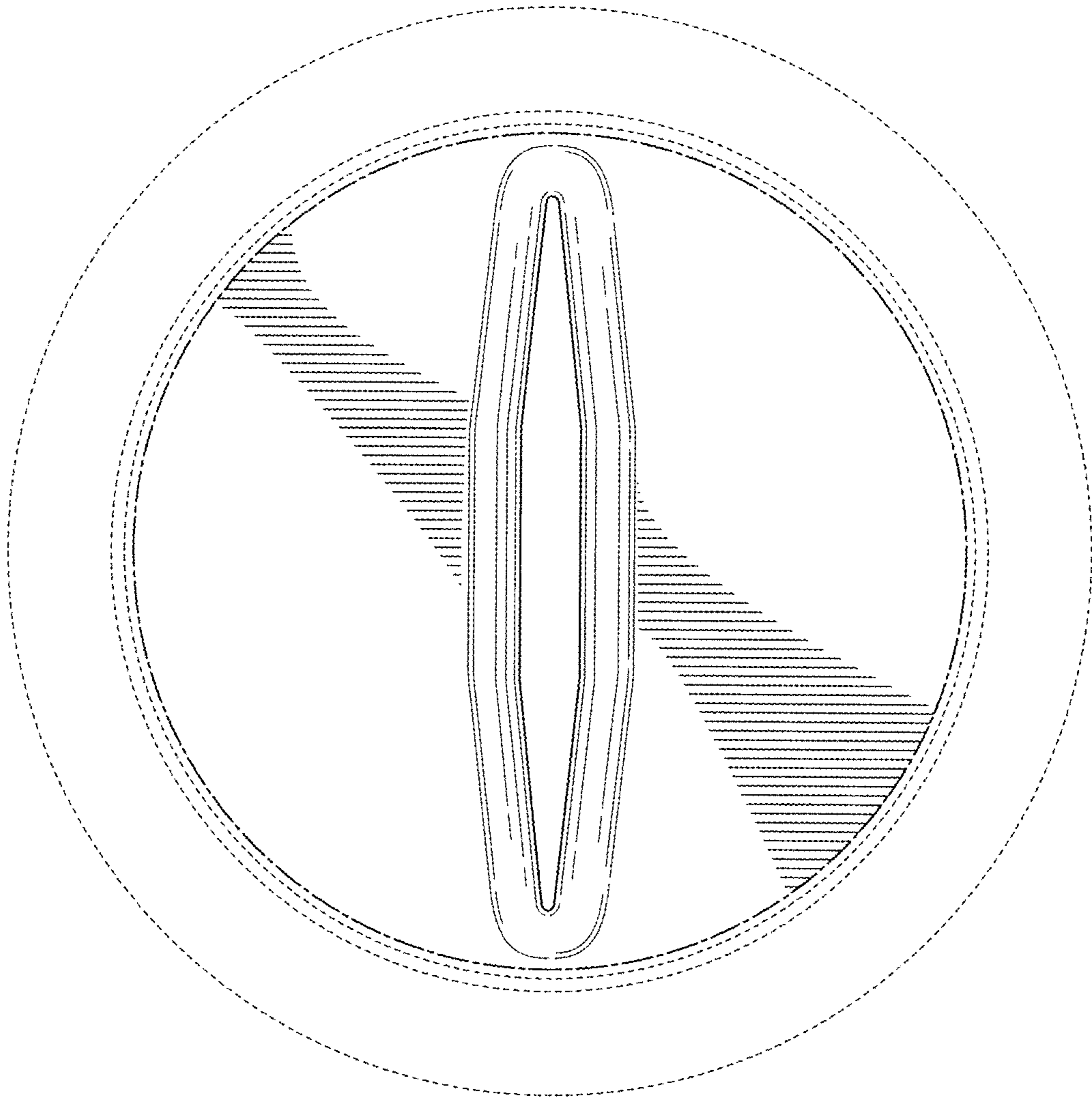


FIG. 6

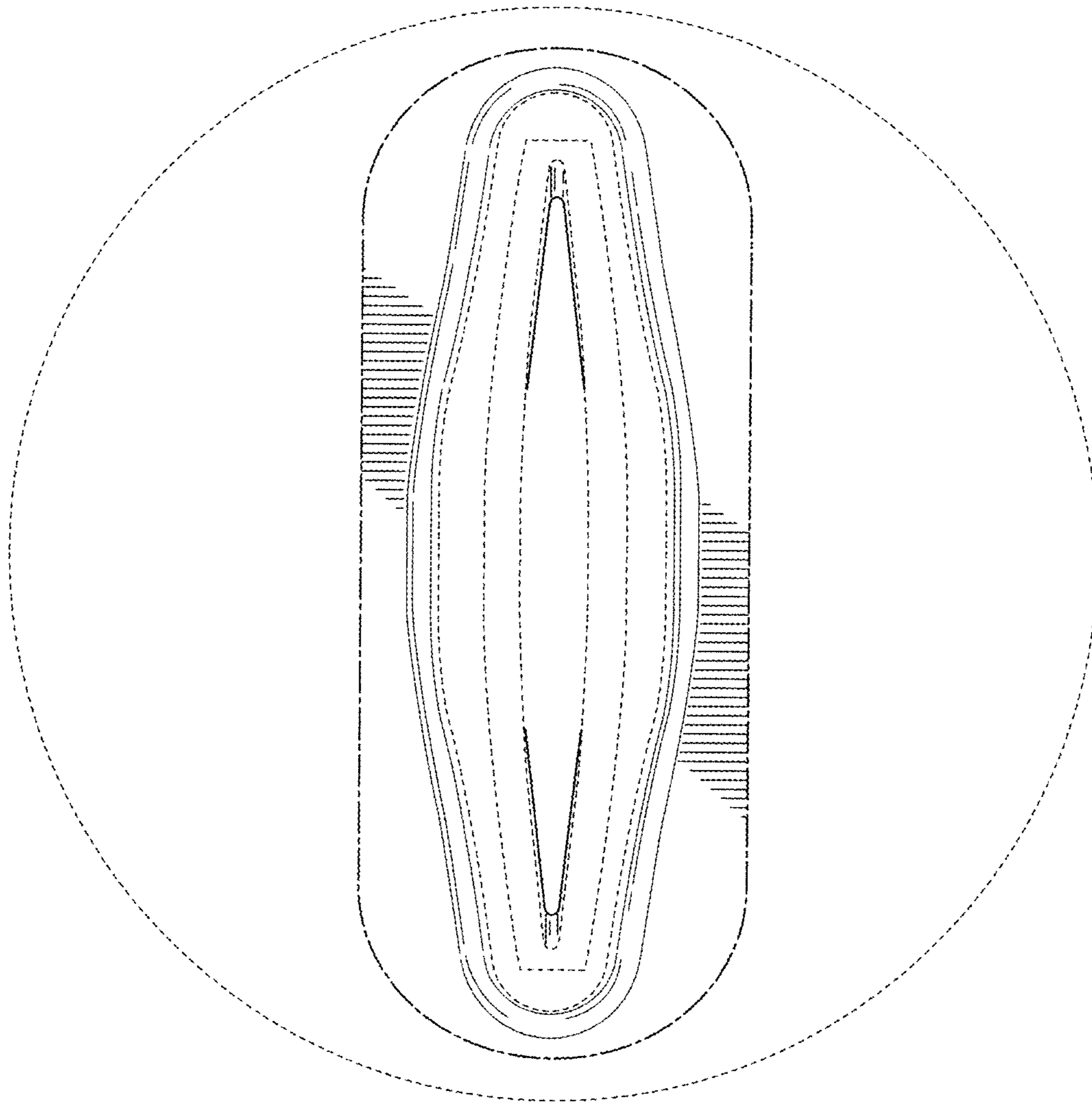


FIG. 7

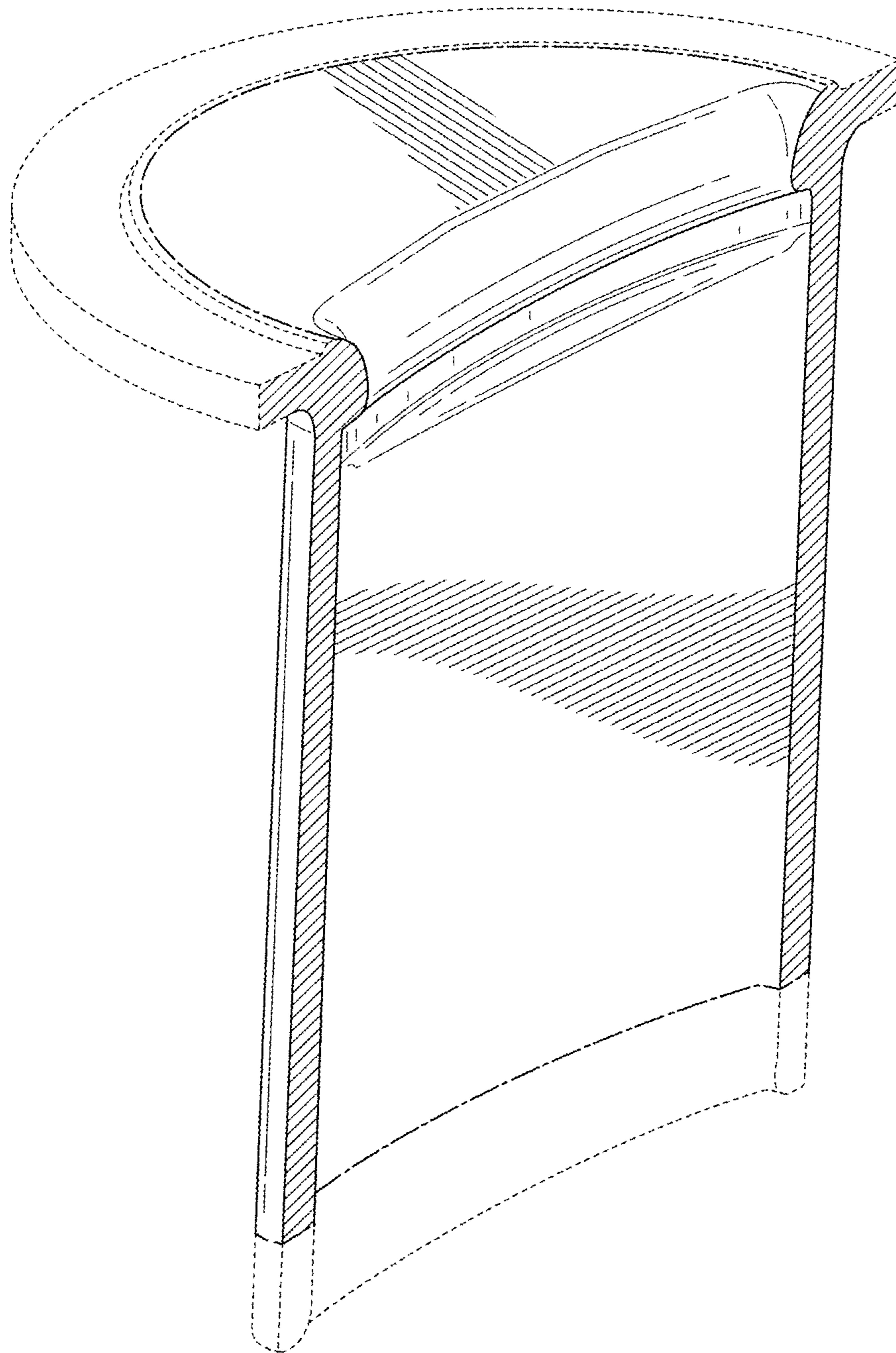


FIG. 8

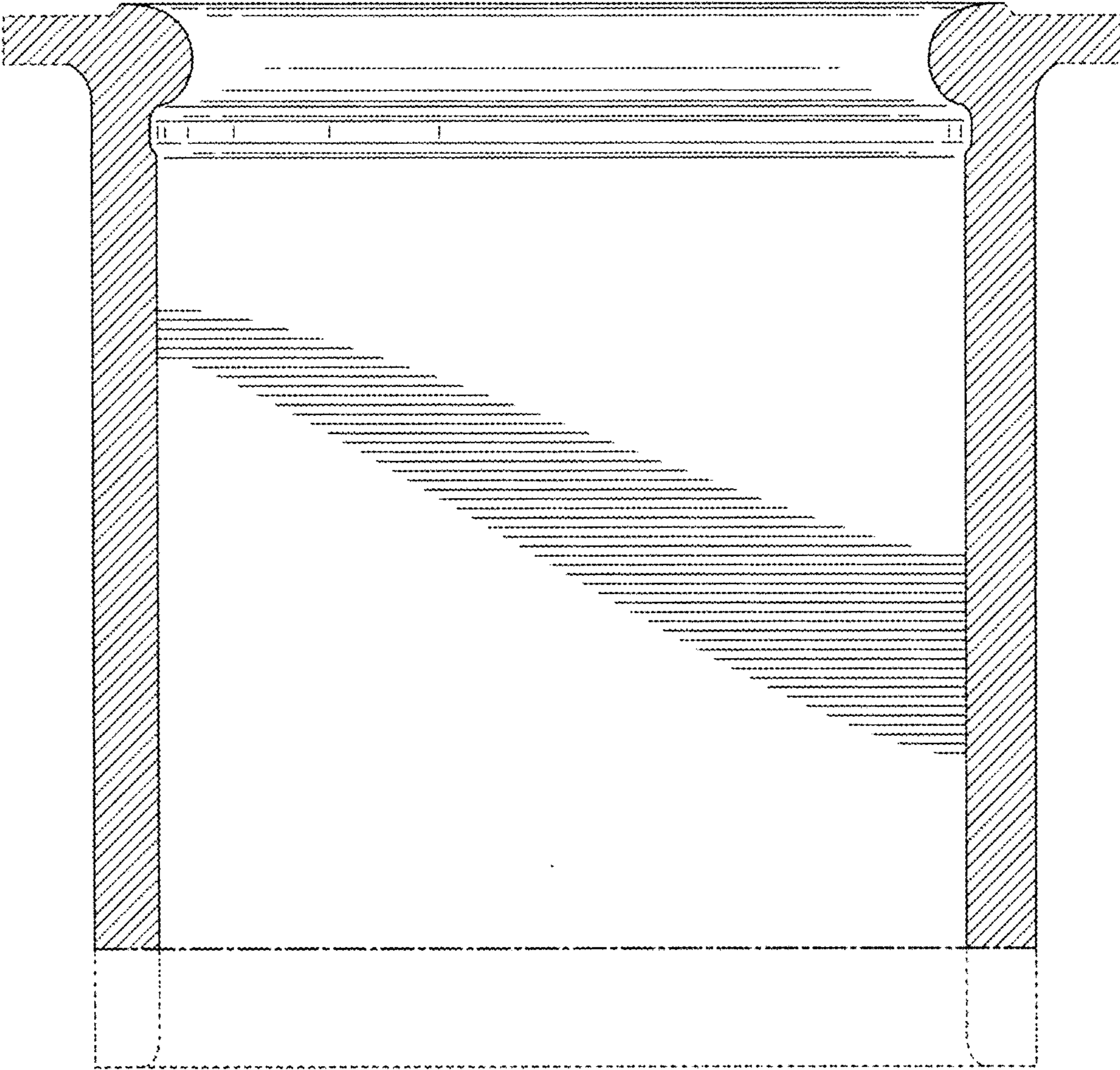


FIG. 9

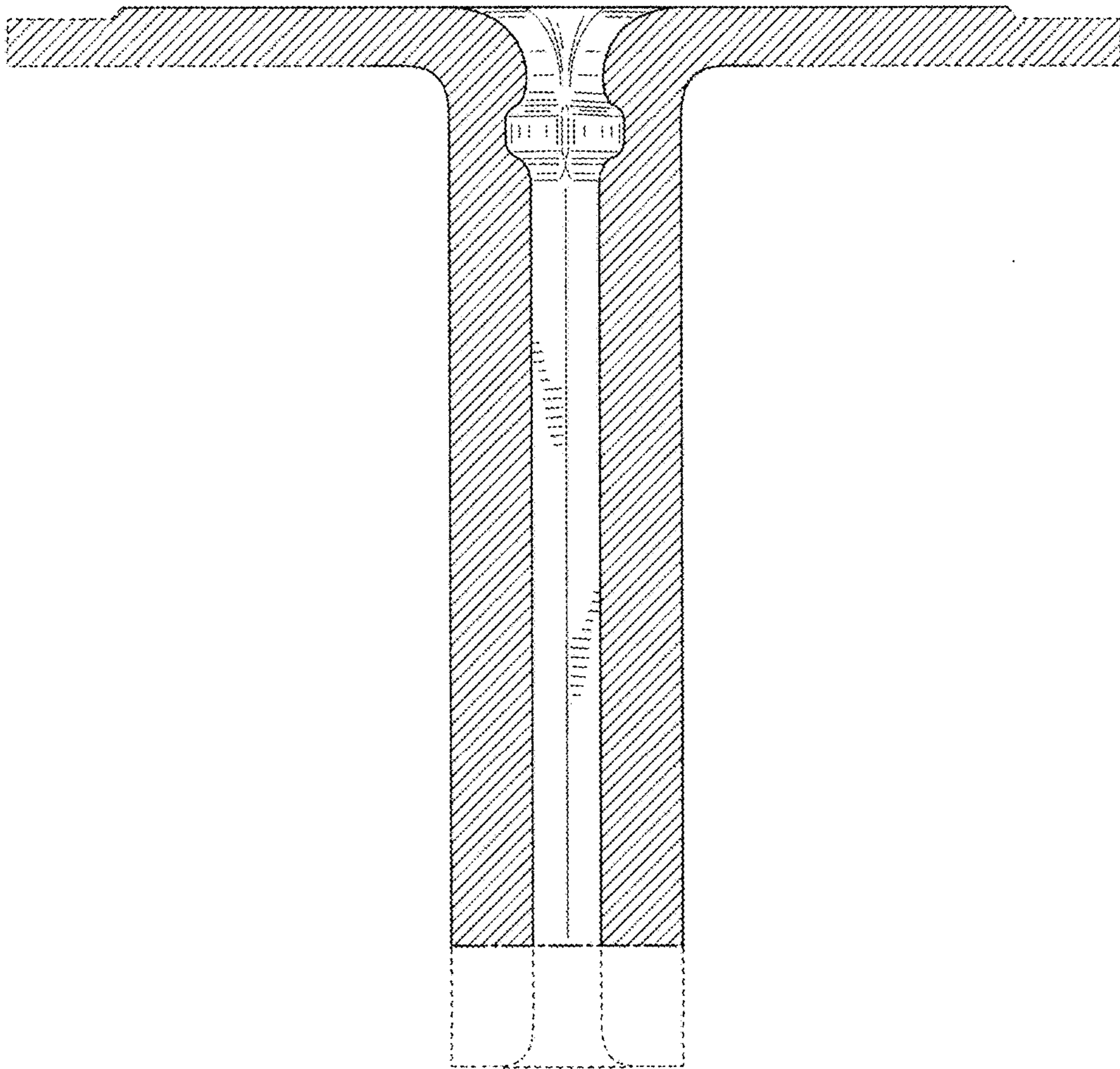


FIG. 10