



US00D826956S

(12) **United States Design Patent** (10) **Patent No.:** **US D826,956 S**
Pillalamarri et al. (45) **Date of Patent:** **** Aug. 28, 2018**

- (54) **DISPLAY SCREEN WITH A GRAPHICAL USER INTERFACE**
- (71) Applicant: **INSULET CORPORATION**, Billerica, MA (US)
- (72) Inventors: **Sandhya Pillalamarri**, Billerica, MA (US); **Jorge Borges**, Billerica, MA (US)
- (73) Assignee: **INSULET CORPORATION**, Billerica, MA (US)
- (**) Term: **15 Years**
- (21) Appl. No.: **29/606,870**
- (22) Filed: **Jun. 8, 2017**
- (51) **LOC (11) Cl.** **14-04**
- (52) **U.S. Cl.**
USPC **D14/485**
- (58) **Field of Classification Search**
USPC D14/485-495; 345/1.1, 1.2, 2.1-2.3, 3.1, 345/902; 715/763, 810, 836, 837, 846, 715/847, 977
CPC G06F 3/048; G06F 3/0481; G06F 3/04812; G06F 3/04817; G06F 3/0482; G06F 3/0483; G06F 3/0484; G06F 3/04847; G06F 3/0485; G06F 3/04855; G06F 3/04886; G06Q 30/00; H03J 1/00; H03J 1/0008; H03J 1/0016; H03J 1/0025; H04N 5/00; H04N 5/08; H04N 5/14; H04N 5/222; H04N 5/225; H04N 5/232; H04N 5/445; H04N 5/44543; H04N 5/45; H04N 2005/44517; H04N 2005/44521; H04N 2005/44526; H04N 2005/4453; H04N 2005/44534; H04N 2005/44539; H04N 2005/44547; H04N 2005/44556; H04N 2005/4456; H04N 2005/44565; H04N 2005/44569; H04N 2005/44573;

H04N 21/00; H04N 21/234; H04N 21/431; H04N 21/4312; H04N 21/4314; H04N 21/4316

See application file for complete search history.

(56) **References Cited**

U.S. PATENT DOCUMENTS

D730,378	S	*	5/2015	Xiong	D14/487
D734,356	S	*	7/2015	Xiong	D14/487
D738,901	S	*	9/2015	Amin	D14/487
D768,154	S	*	10/2016	Kim	D14/485
D768,685	S	*	10/2016	Lee	D14/486
D788,621	S	*	6/2017	Shallice	D14/486
D789,967	S	*	6/2017	Kaplan	D14/486
D797,116	S	*	9/2017	Chapman	D14/485
D802,011	S	*	11/2017	Friedman	D14/488
D806,716	S	*	1/2018	Pahwa	D14/485
2005/0262451	A1	*	11/2005	Remignanti	G06F 3/04847 715/833
2014/0088428	A1	*	3/2014	Yang	A61B 8/4444 600/443
2014/0129951	A1	*	5/2014	Amin	G06Q 50/30 715/738

* cited by examiner

Primary Examiner — Cathron C Brooks
Assistant Examiner — Christian P. McLean

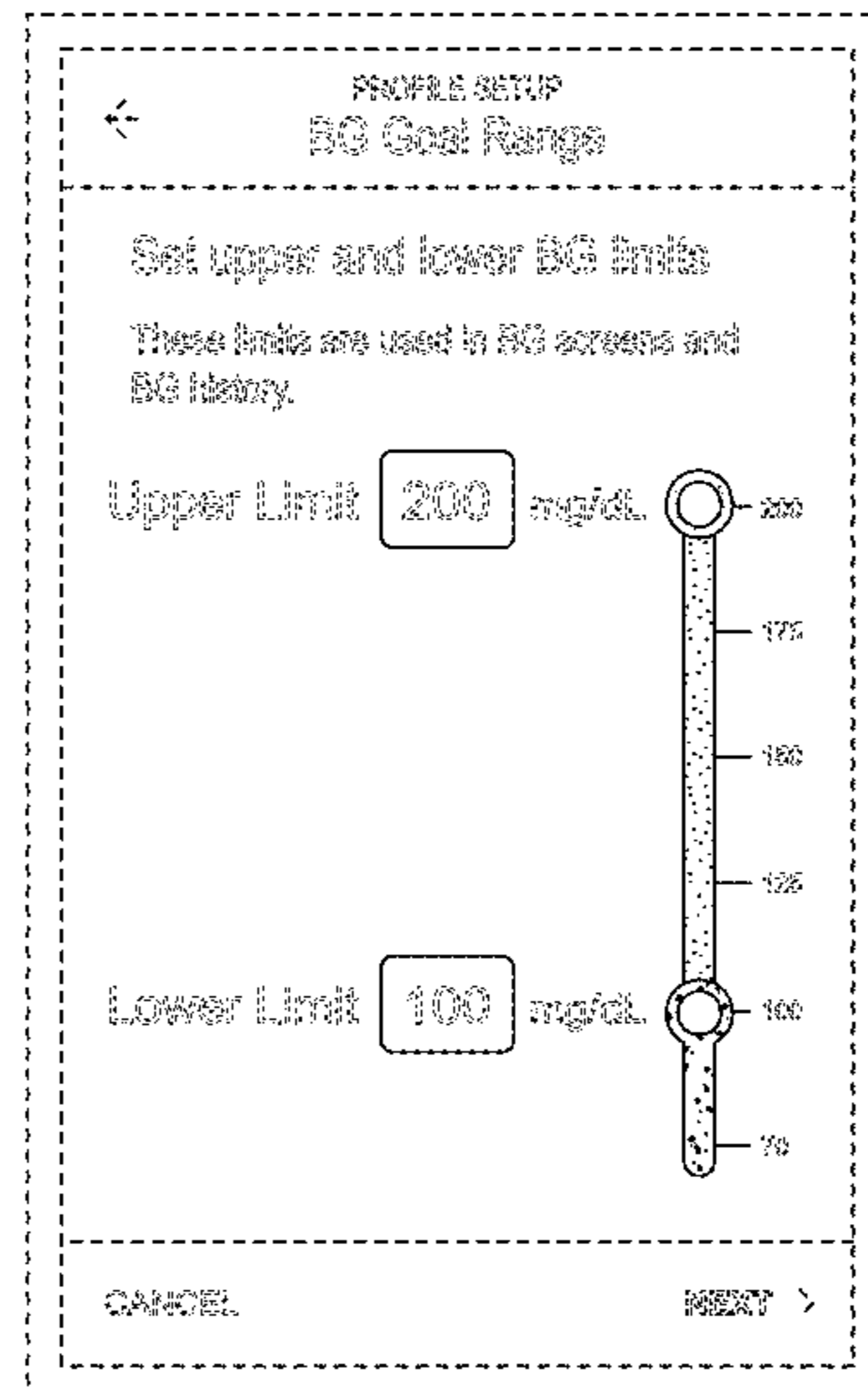
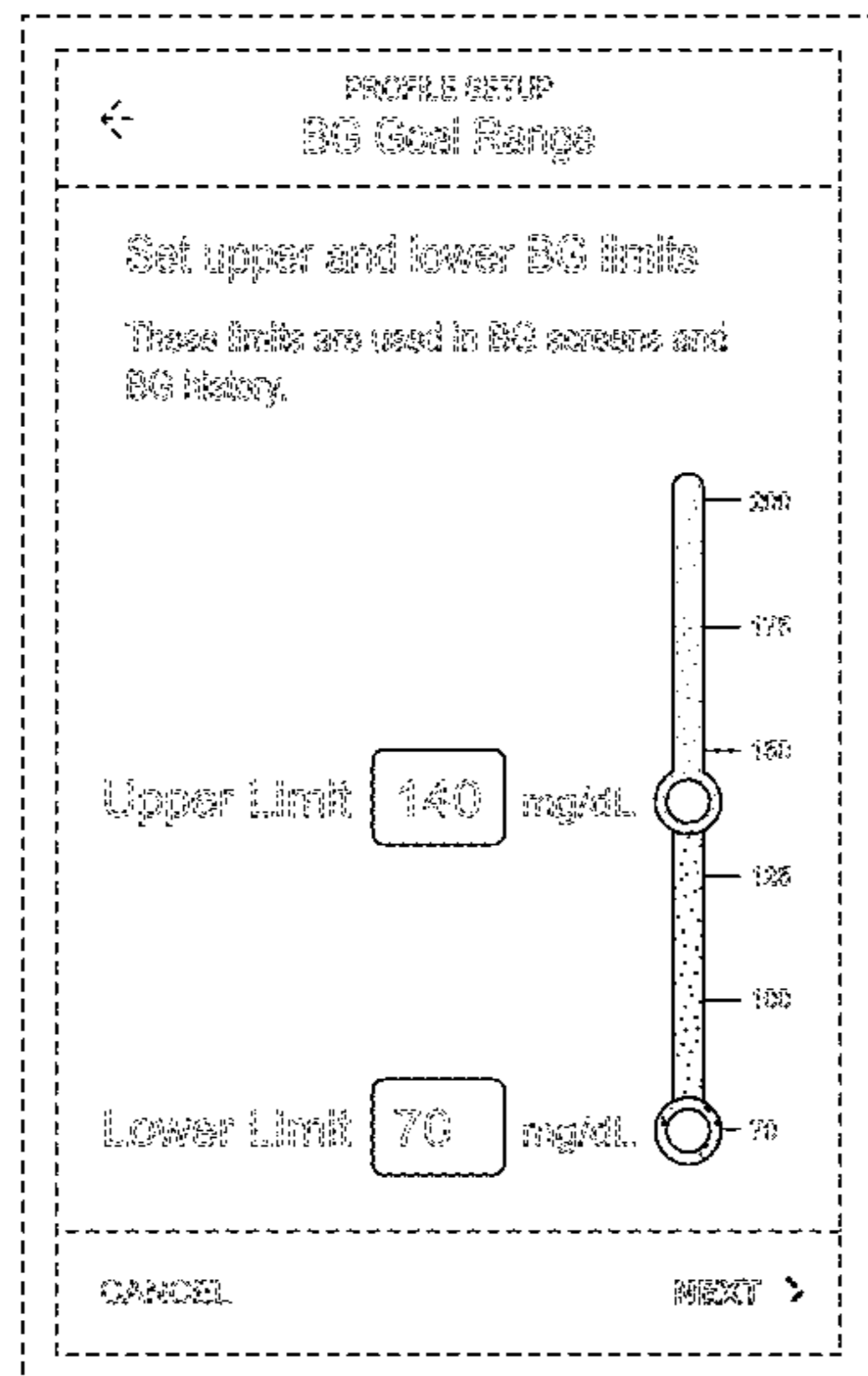
(57) **CLAIM**

The ornamental design for a display screen with a graphical user interface, as shown and described.

DESCRIPTION

FIG. 1 is a front view of a display screen with a graphical user interface showing our new design; and, FIG. 2 is a front view of a second embodiment thereof. The outermost broken line illustrates a display screen and forms no part of the claimed design. The remaining broken lines illustrate portions of the graphical user interface that form no part of the claimed design.

1 Claim, 2 Drawing Sheets



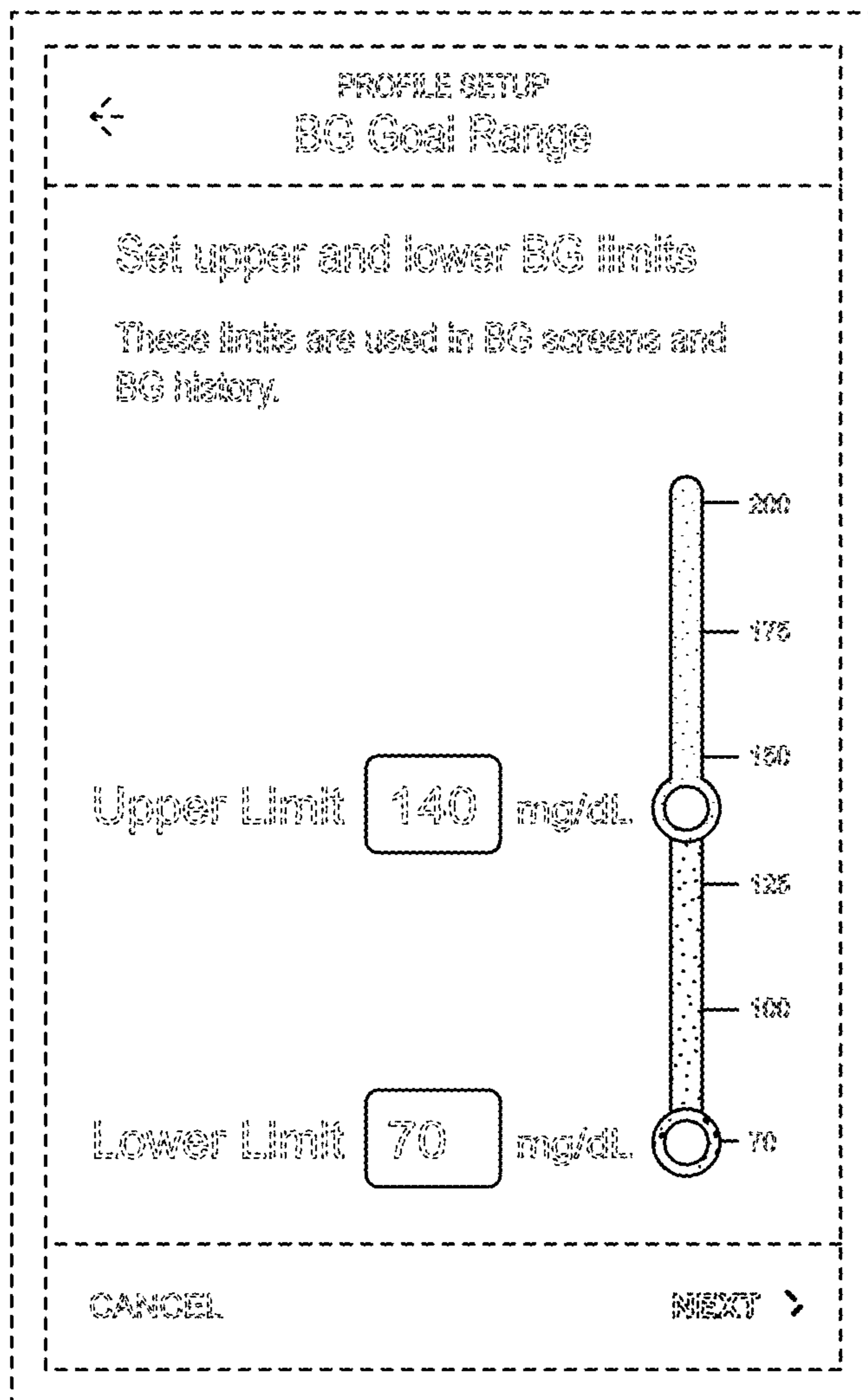


FIG. 1

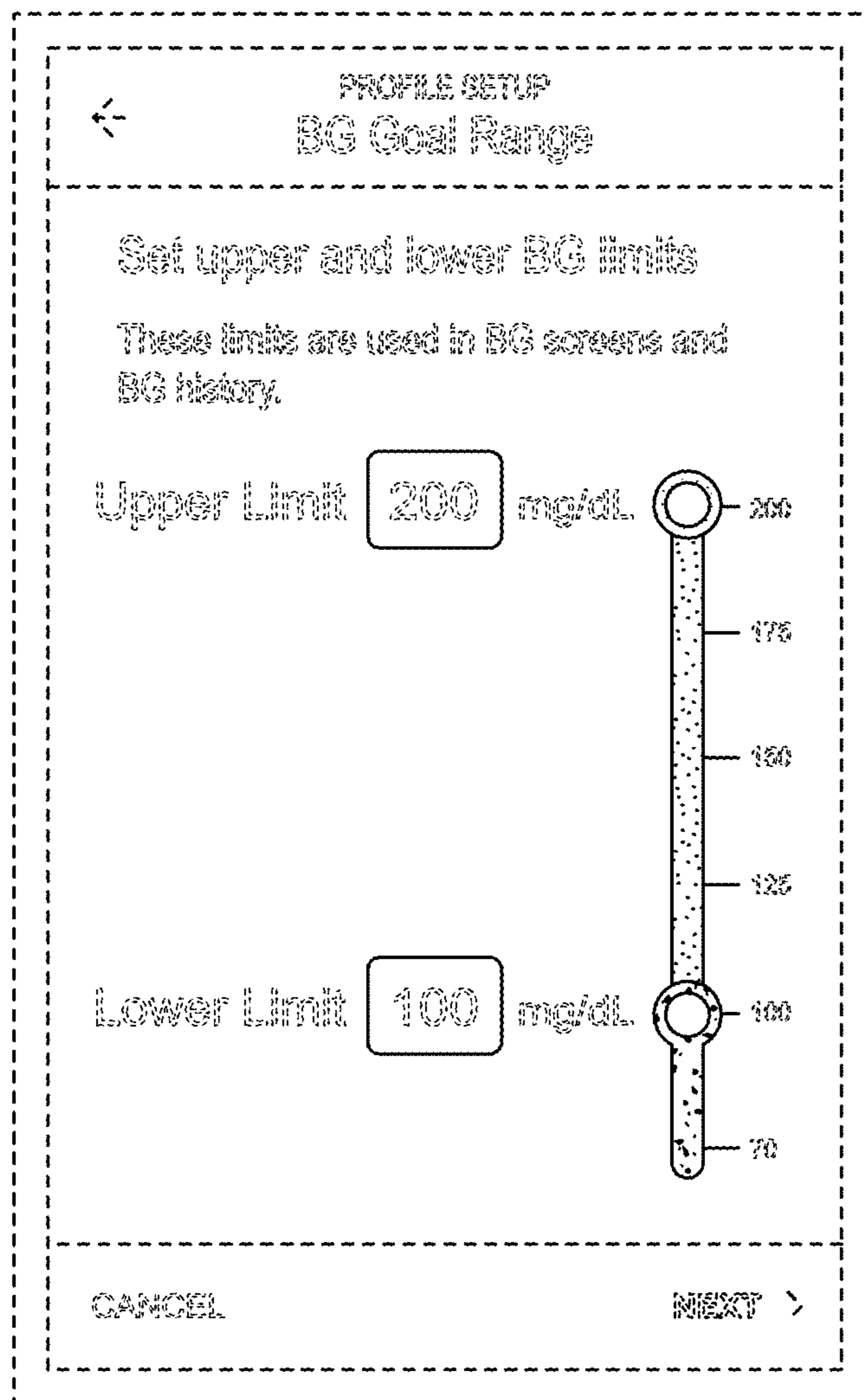


FIG. 2