

US00D826953S

(12) **United States Design Patent** (10) **Patent No.:** **US D826,953 S**
Gustavsson et al. (45) **Date of Patent:** **** Aug. 28, 2018**

(54) **DISPLAY SCREEN OR PORTION THEREOF WITH GRAPHICAL USER INTERFACE**

(71) Applicant: **HTC Sweden AB**, Söderköping (SE)

(72) Inventors: **Daniel Gustavsson**, Söderköping (SE); **Magnus Grettve**, Göteborg (SE); **Ivar Frischer**, Göteborg (SE); **Matias Cindric**, Mölndal (SE)

(73) Assignee: **HTC SWEDEN AB**, Söderköping (SE)

(**) Term: **15 Years**

(21) Appl. No.: **29/586,974**

(22) Filed: **Dec. 8, 2016**

(30) **Foreign Application Priority Data**

Jun. 9, 2016 (EM) 003182674-0001
Jun. 9, 2016 (EM) 003182674-0002
Jun. 9, 2016 (EM) 003182674-0003

(51) **LOC (11) Cl.** **14-04**

(52) **U.S. Cl.**
USPC **D14/485**

(58) **Field of Classification Search**
USPC D14/485-495
CPC G06F 17/211; G06F 17/212; G06F 3/1251;
G06F 3/0481; G06F 2203/04807
See application file for complete search history.

(56) **References Cited**

U.S. PATENT DOCUMENTS

D704,728 S * 5/2014 d'Amore D14/487
D716,318 S * 10/2014 Fan D14/485
D717,335 S * 11/2014 Sakuma D14/487
D754,182 S * 4/2016 Kouthoofd D14/487
D754,713 S * 4/2016 Zhang D14/487

D761,276 S * 7/2016 Rawlins D14/485
D762,655 S * 8/2016 Kai D14/485
D764,516 S * 8/2016 Lamparelli D14/486
D765,091 S * 8/2016 Del Lima D14/485
D765,115 S * 8/2016 Pierson D14/486
D765,672 S * 9/2016 Raff D14/485
D765,718 S * 9/2016 Vinna D14/488
D768,191 S * 10/2016 Do D14/489
D769,891 S * 10/2016 Cho D14/485
D771,122 S * 11/2016 Matas D14/489
D771,651 S * 11/2016 Yang D14/485
D778,952 S * 2/2017 Kim D14/489
D779,516 S * 2/2017 Pierson D14/486
D780,805 S * 3/2017 van Os D14/491
D784,410 S * 4/2017 Lee D14/488
D786,269 S * 5/2017 Lin D14/485
D788,807 S * 6/2017 Broughton D14/486
D794,065 S * 8/2017 Lider D14/488
D795,917 S * 8/2017 Escutia D14/488
D800,144 S * 10/2017 Anderson D14/485
D800,160 S * 10/2017 Shaw D14/489

(Continued)

Primary Examiner — Darlington Ly
Assistant Examiner — Daniel J Domino
(74) *Attorney, Agent, or Firm* — Michael G. Johnston;
Moore & Van Allen PLLC

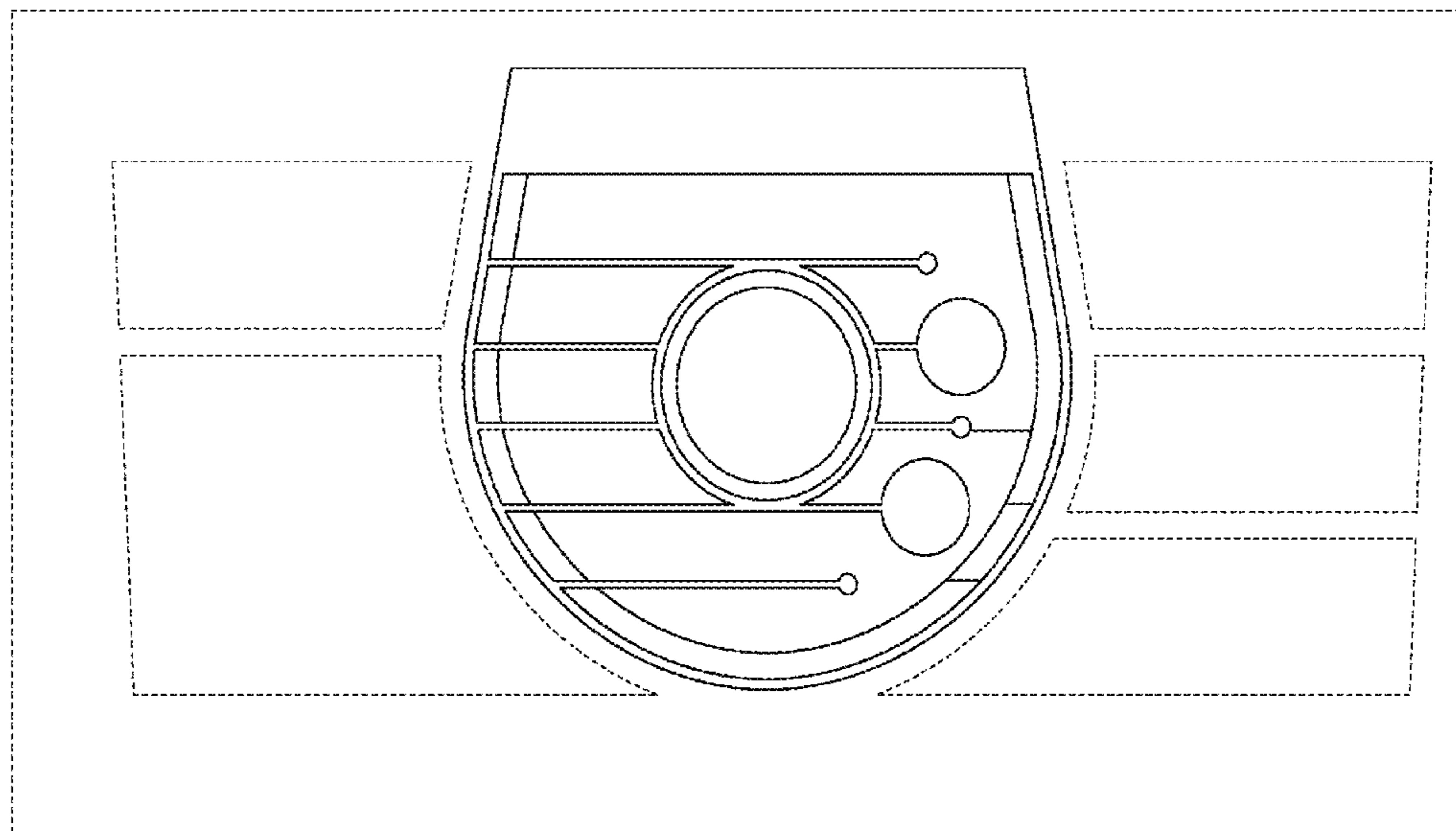
(57) **CLAIM**

The ornamental design for a display screen or portion thereof with graphical user interface, as shown and described.

DESCRIPTION

FIG. 1 is a front view of a display screen or portion thereof with graphical user interface, showing our new design; FIG. 2 is a second embodiment thereof; and, FIG. 3 is a third embodiment thereof. The broken lines showing a display screen or portion thereof and elements of the graphical user interface illustrate portions of the article, and form no part of the claimed design.

1 Claim, 3 Drawing Sheets



(56)

References Cited

U.S. PATENT DOCUMENTS

D800,764 S *	10/2017	Thoreson	D14/488
D801,386 S *	10/2017	Xu	D14/489
D802,020 S *	11/2017	Kim	D14/492
D808,974 S *	1/2018	Chiappone	D14/485
D808,994 S *	1/2018	Mangold	D14/486
D809,012 S *	1/2018	Mencke	D14/492
D810,759 S *	2/2018	Moon	D14/485
D811,420 S *	2/2018	Gaur	D14/485
D811,421 S *	2/2018	Caldwell	G06Q 40/12 D14/485
D811,427 S *	2/2018	Hong	D14/486
D812,073 S *	3/2018	Lehmann	D14/485
D812,624 S *	3/2018	Kim	D14/485
D812,630 S *	3/2018	Yuguchi	D14/486
D812,634 S *	3/2018	Tuthill	D14/486

* cited by examiner

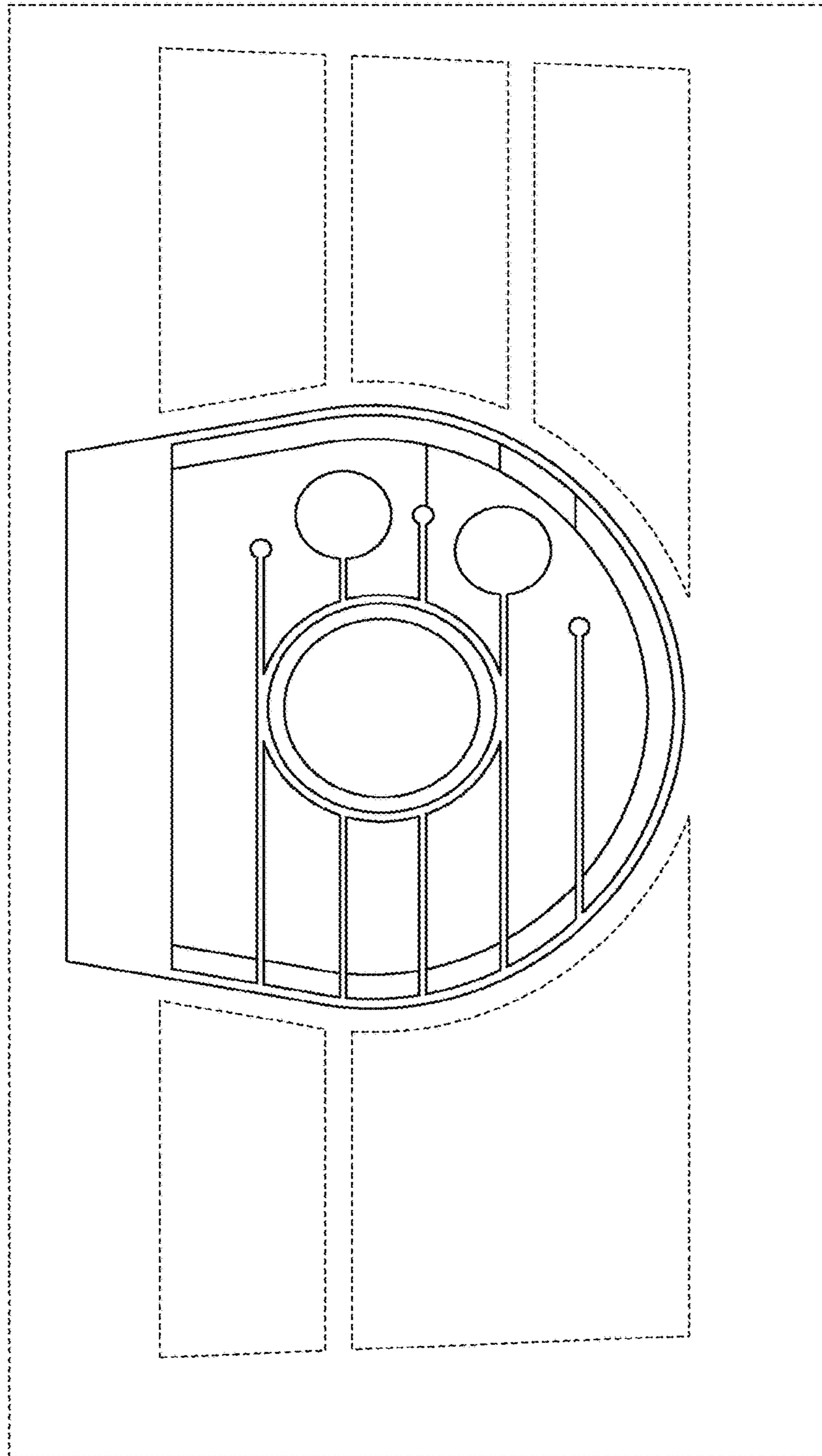


FIG. 1

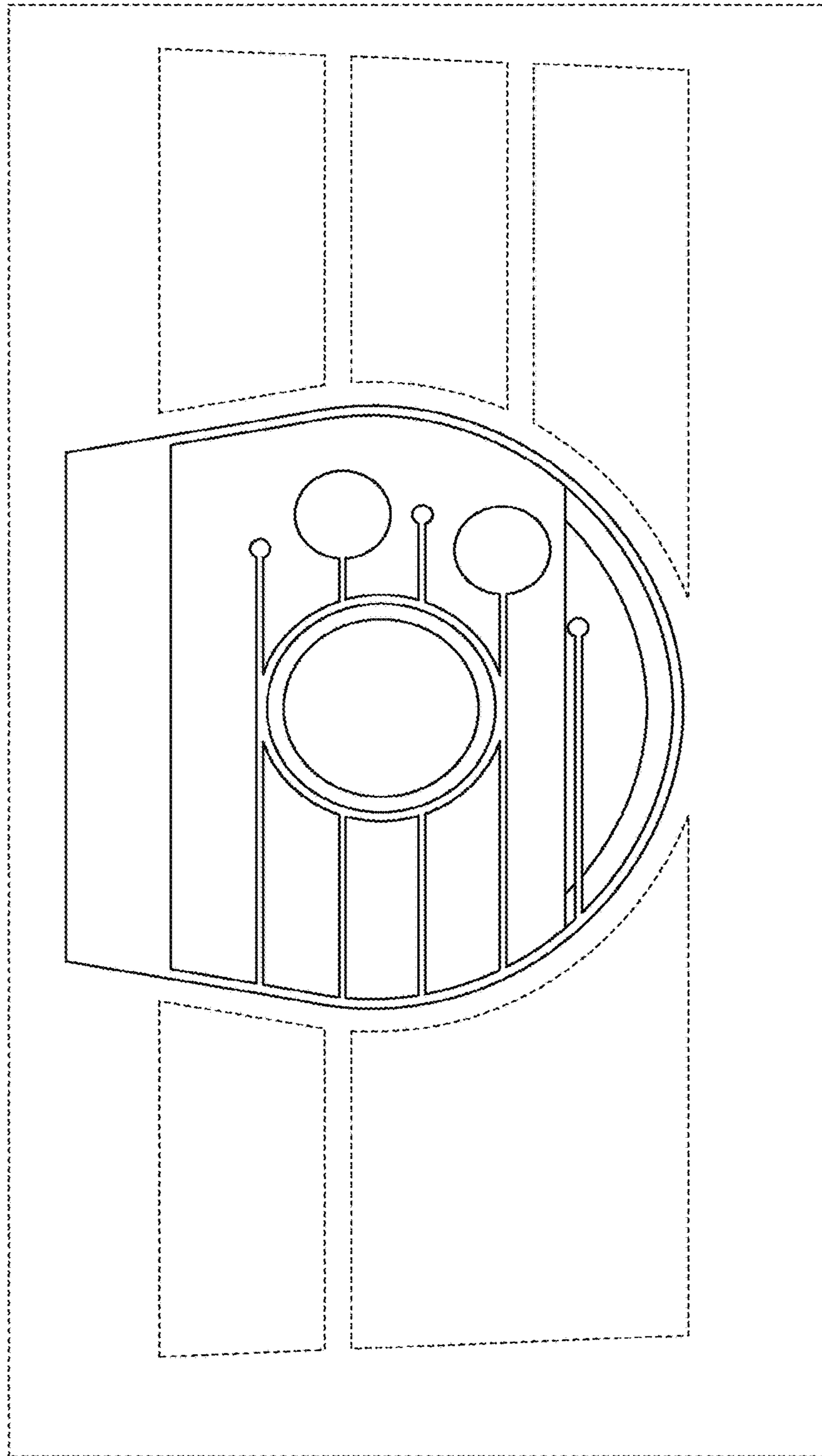


FIG. 2

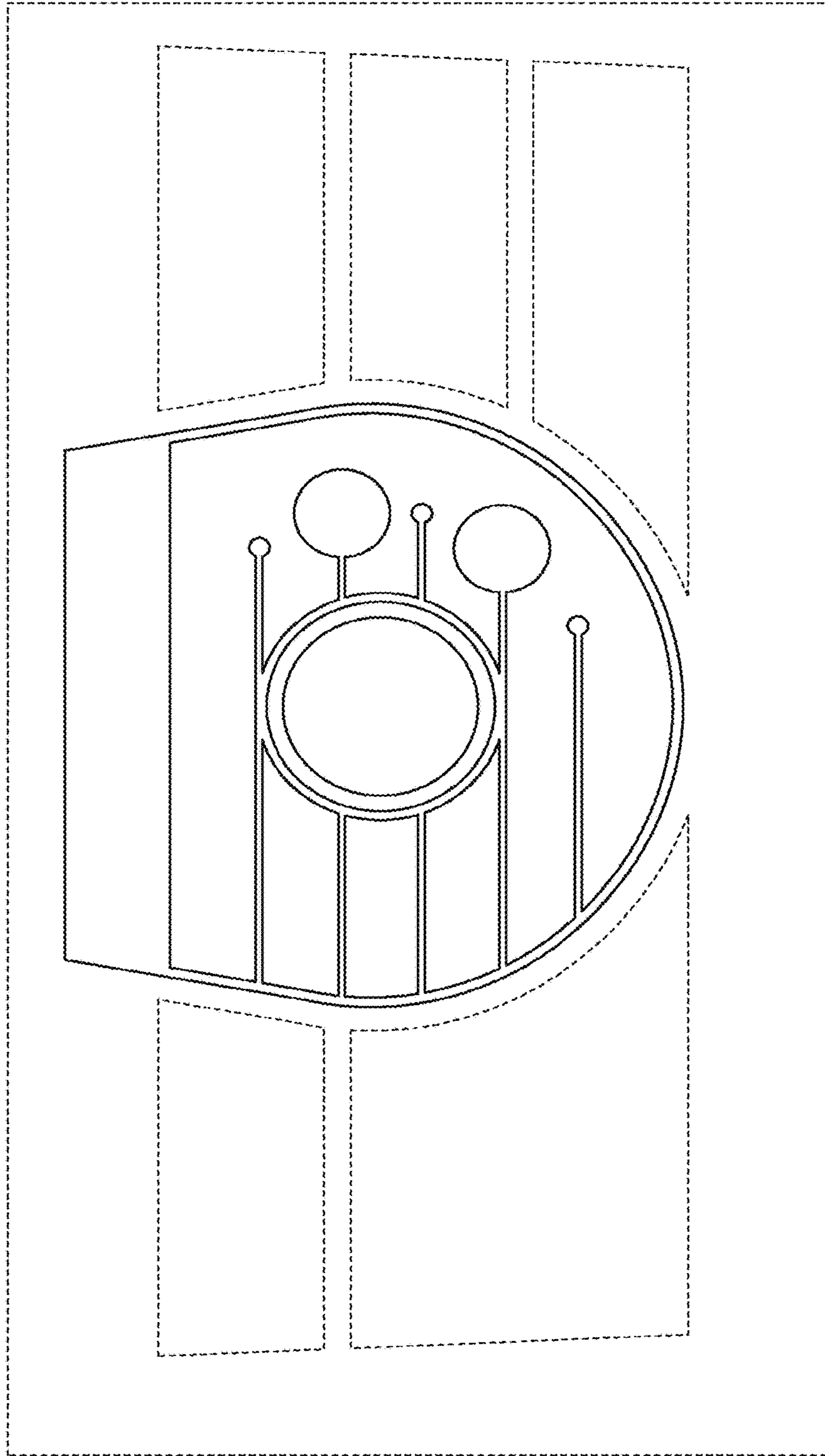


FIG. 3