



US00D826950S

(12) **United States Design Patent** (10) **Patent No.:** **US D826,950 S**
Roberts (45) **Date of Patent:** **** Aug. 28, 2018**

- (54) **USB MEMORY DEVICE**
- (71) Applicant: **James Roberts**, St Martin (JE)
- (72) Inventor: **James Roberts**, St Martin (JE)
- (73) Assignee: **Flashbay Electronics Hong Kong Limited**, Hong Kong (HK)
- (**) Term: **15 Years**
- (21) Appl. No.: **29/600,538**
- (22) Filed: **Apr. 13, 2017**
- (51) **LOC (11) Cl.** **14-03**
- (52) **U.S. Cl.**
 USPC **D14/480.7**
- (58) **Field of Classification Search**
 USPC D14/435.1, 480.1–480.7, 411, 433, 436,
 D14/484.1, 137, 155, 203.1–203.8, 240,
 D14/242; D13/133, 154
 See application file for complete search history.

(56) **References Cited**

U.S. PATENT DOCUMENTS

- D494,969 S * 8/2004 Lin D14/480.7
 D546,328 S * 7/2007 Kobayakawa D14/480.4
 D591,758 S * 5/2009 Lee D14/435.1
 D607,886 S * 1/2010 Bolotin D14/480.1
 D610,588 S * 2/2010 Chen D14/480.7

- D624,012 S * 9/2010 de Medeiros D13/103
 D631,053 S * 1/2011 Bailey D10/70
 D639,303 S * 6/2011 Ni D14/480.7
 D652,046 S * 1/2012 Belan D14/480.6
 D685,809 S * 7/2013 Billington D14/480.7
 D707,690 S * 6/2014 Billington D14/480.7
 D711,391 S * 8/2014 Lee D14/480.7
 2017/0006730 A1* 1/2017 Guo H05K 5/0278

* cited by examiner

Primary Examiner — Angela J Lee

(57) **CLAIM**

The ornamental design for a USB memory device, as shown and described.

DESCRIPTION

FIG. 1 is a top view of the USB memory device;
 FIG. 2 is a right view thereof; the left being a mirror image thereof;
 FIG. 3 is a front view thereof;
 FIG. 4 is a rear view thereof;
 FIG. 5 is a bottom view thereof;
 FIG. 6 is a top, front, right perspective view thereof;
 FIG. 7 is a top, front, right perspective view thereof, but with the connector in an extended position;
 FIG. 8 is a bottom, rear, left perspective view thereof, but with the connector not in an extended position; and,
 FIG. 9 is a bottom, rear, left perspective view thereof, but with the connector in an extended position.

1 Claim, 2 Drawing Sheets

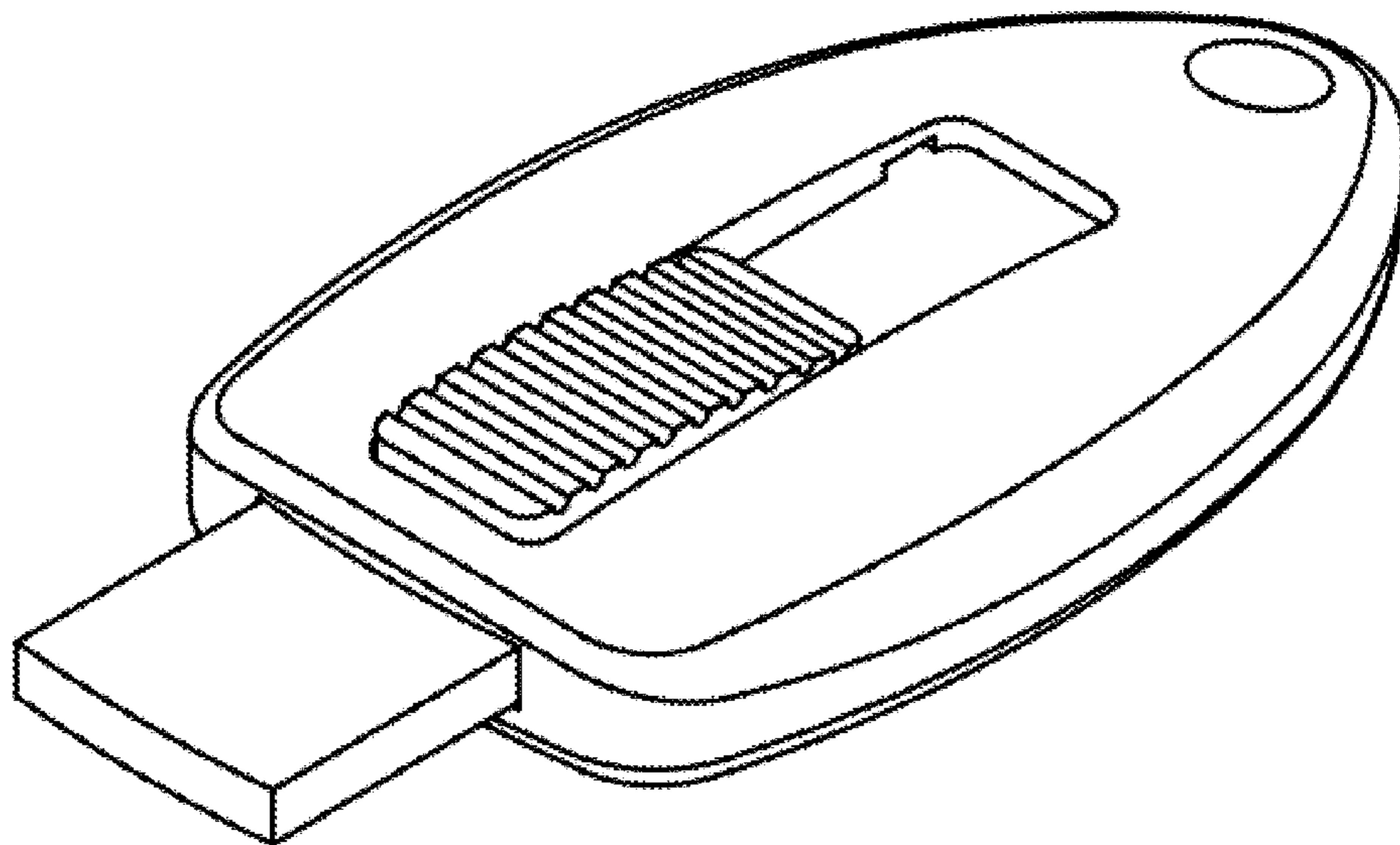


FIG.1

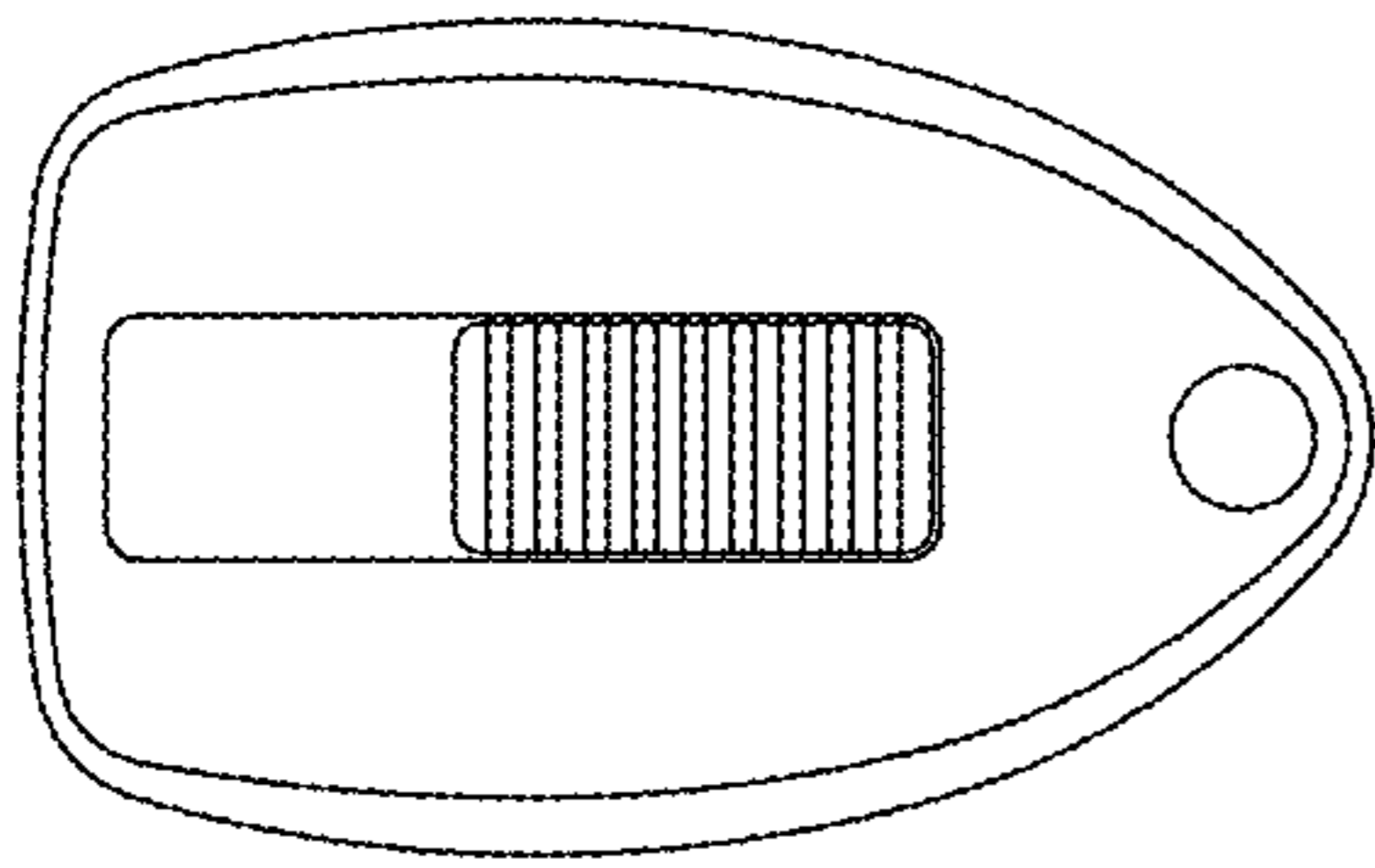


FIG.2

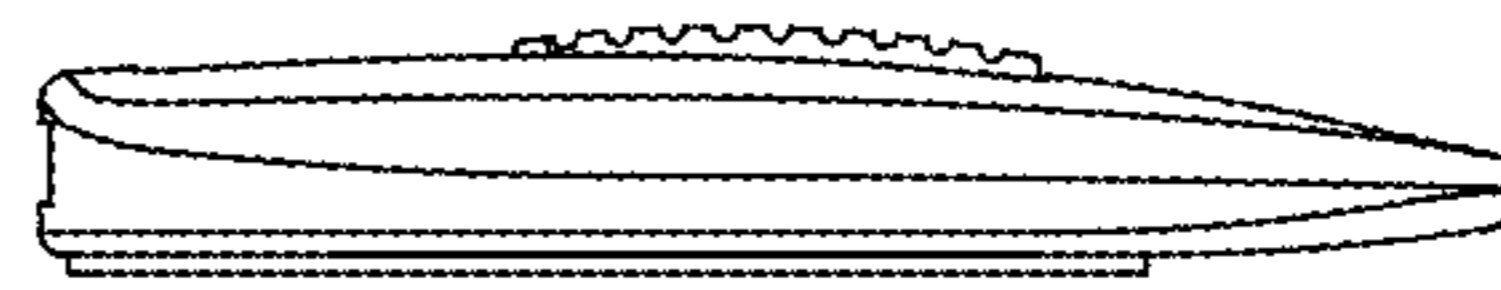


FIG.3

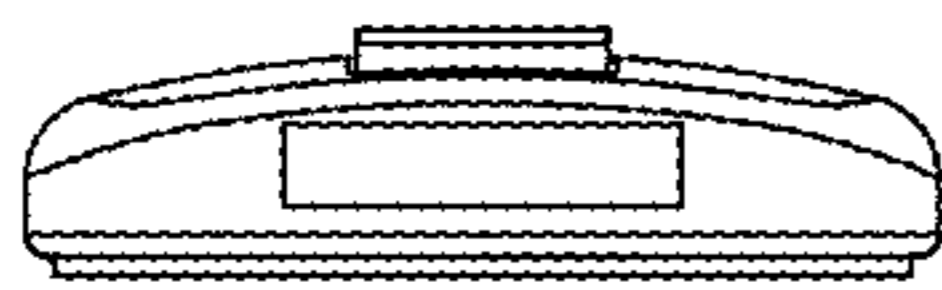


FIG.4

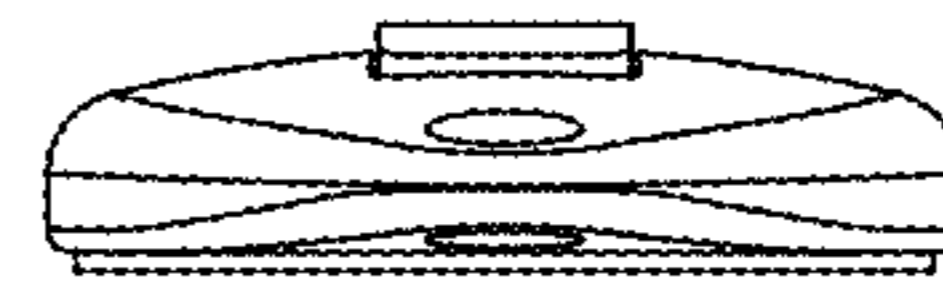


FIG.5

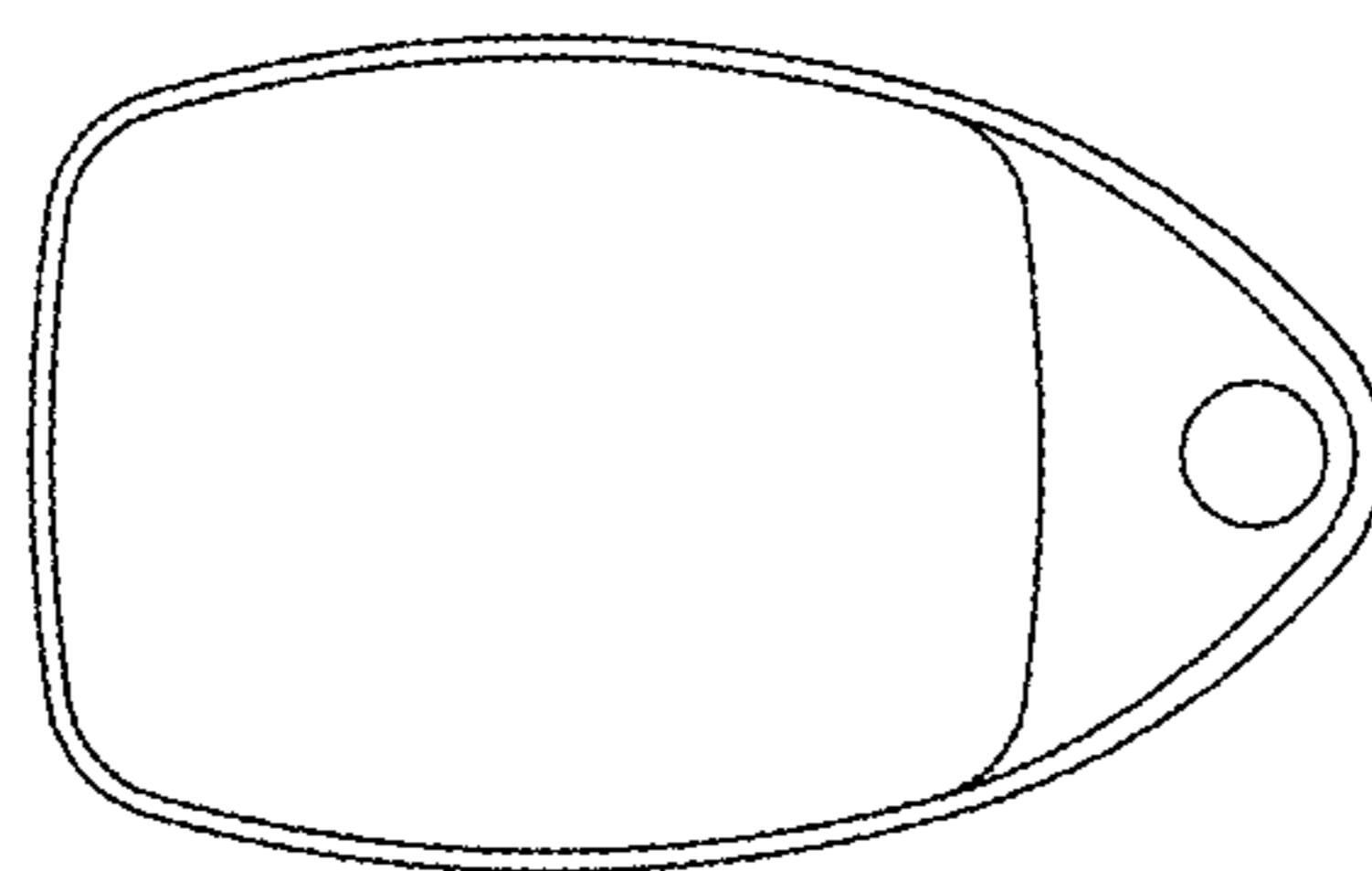


FIG.6

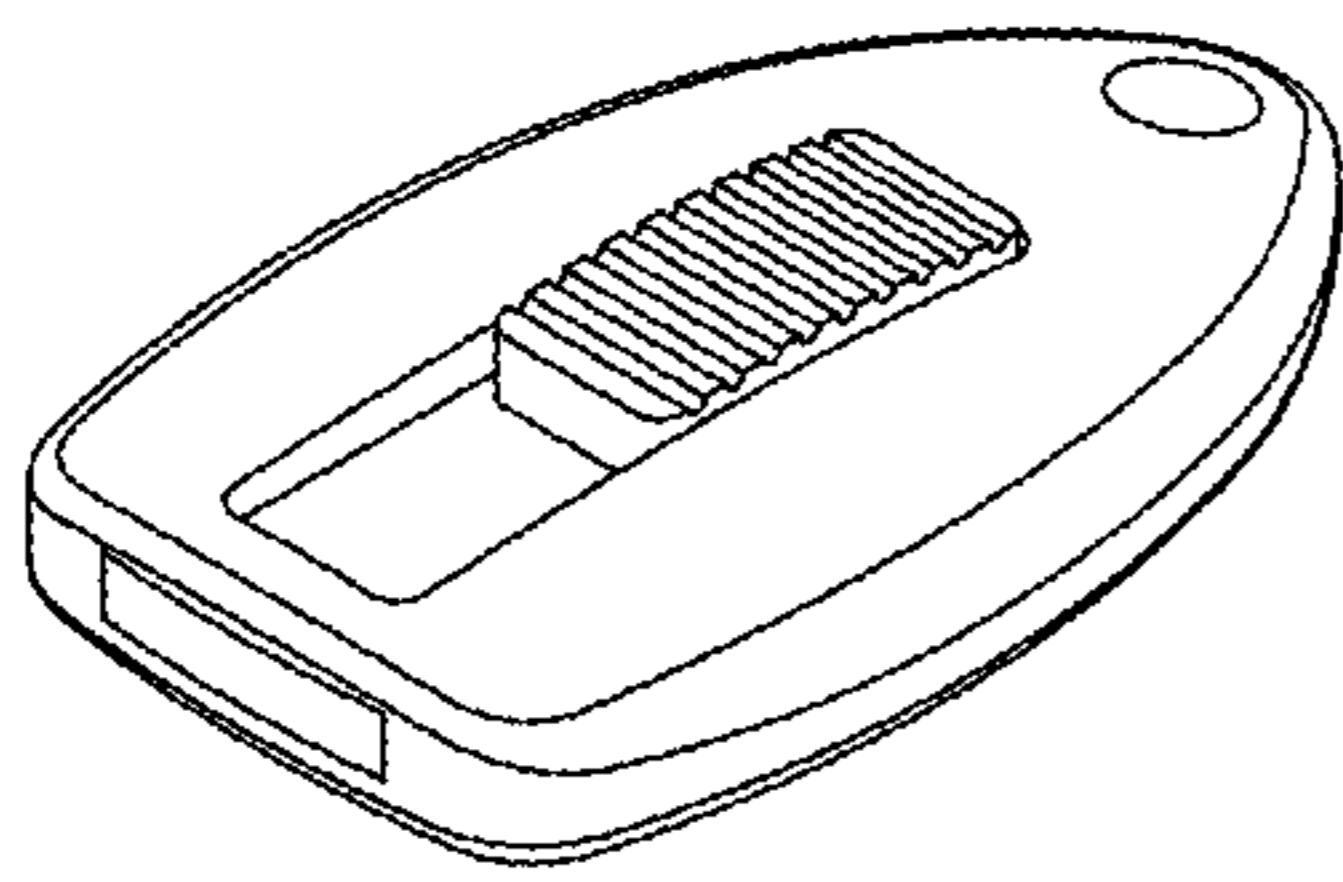


FIG.7

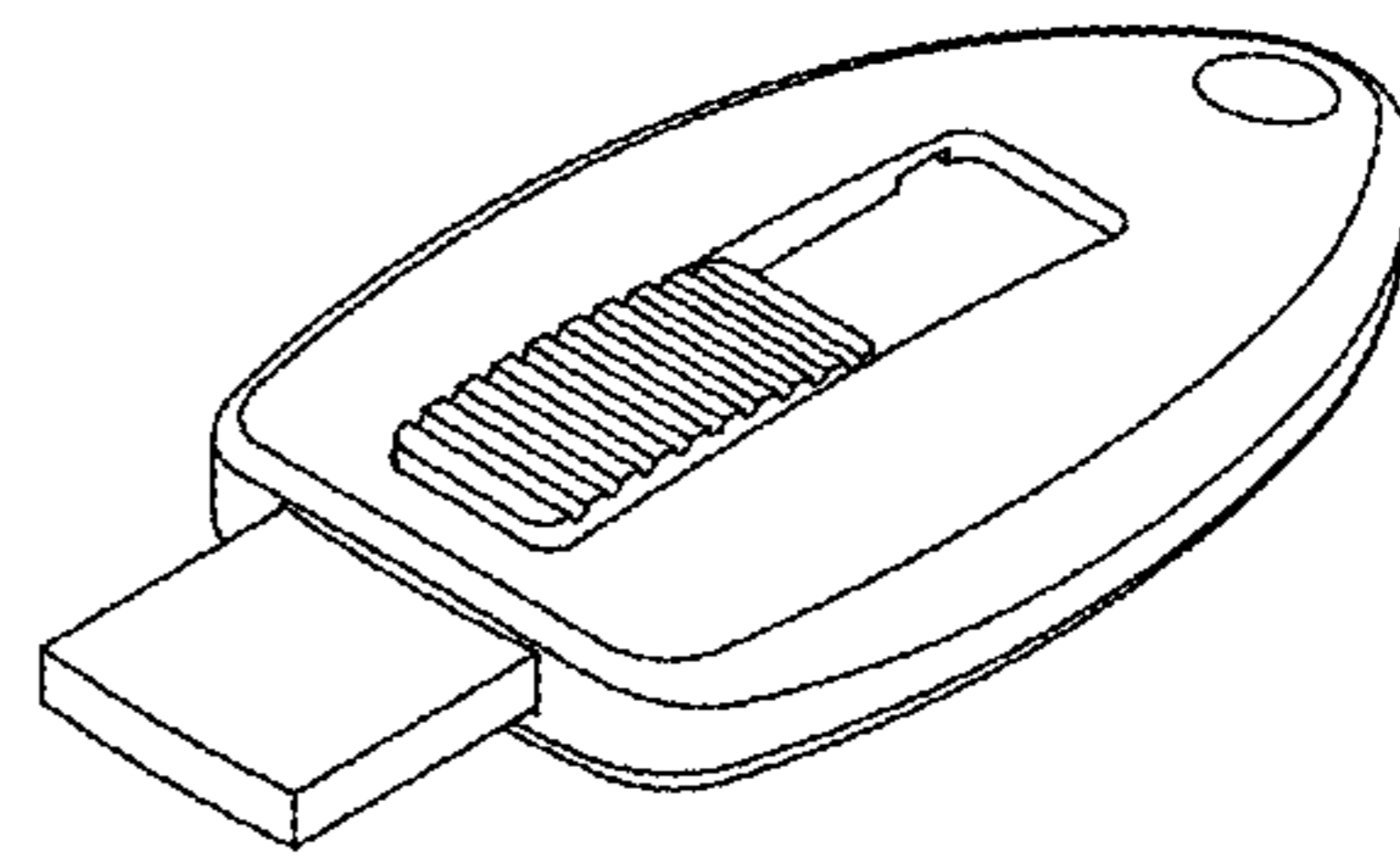


FIG.8

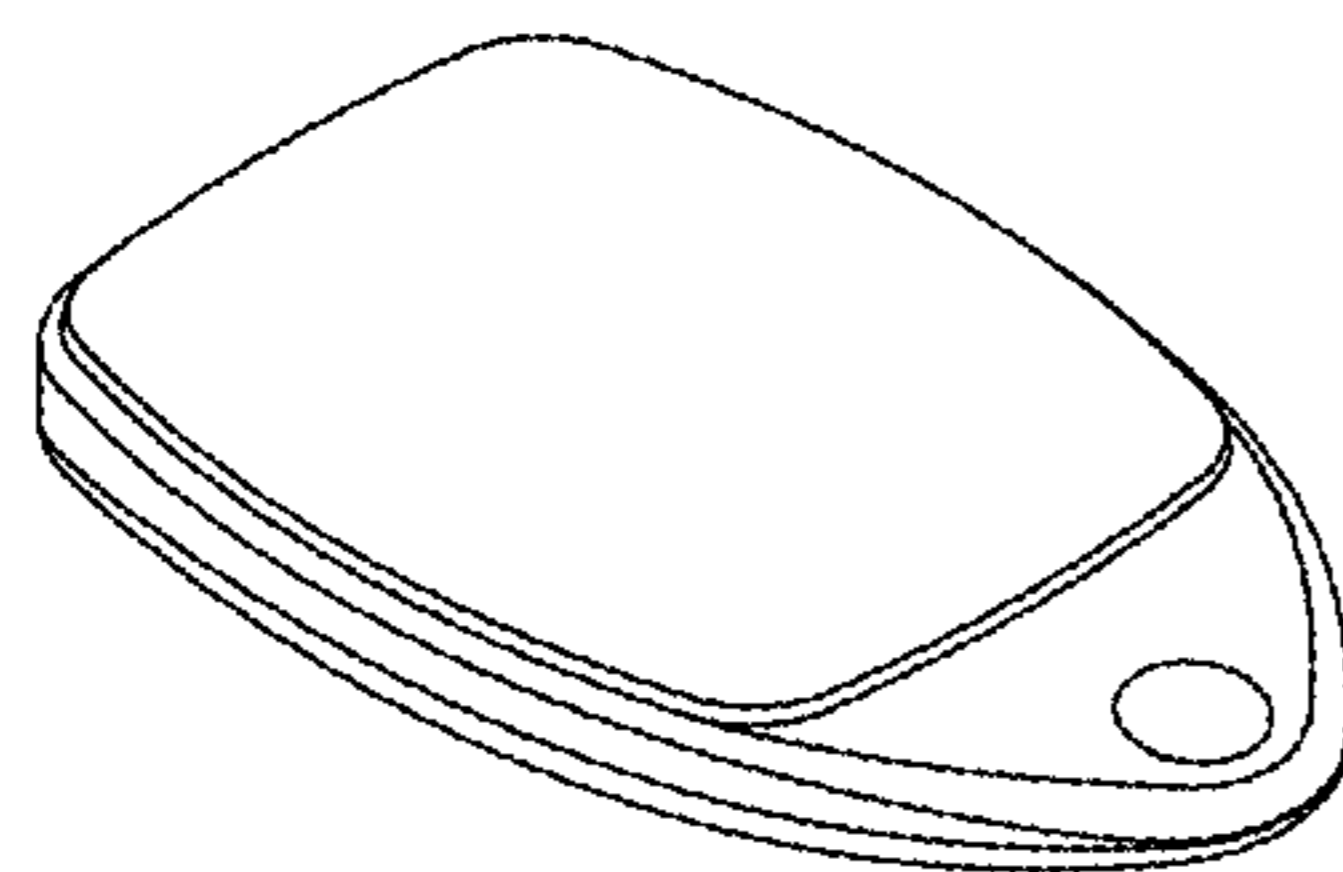


FIG.9

