



US00D826948S

(12) **United States Design Patent**
Xiao

(10) **Patent No.:** **US D826,948 S**

(45) **Date of Patent:** **** Aug. 28, 2018**

(54) **SUPPORT FOR ELECTRONIC DEVICE**

(71) Applicant: **Shenzhen Ruibao Technology CO. LTD**, Shenzhen (CN)

(72) Inventor: **Bo Xiao, Ji'an** (CN)

(73) Assignee: **Shenzhen Ruibao Technology CO. LTD**, Shenzhen (CN)

(**) Term: **15 Years**

(21) Appl. No.: **29/616,195**

(22) Filed: **Sep. 4, 2017**

(51) **LOC (11) Cl.** **08-07**

(52) **U.S. Cl.**
USPC **D14/447**

(58) **Field of Classification Search**
USPC D14/447, 432, 434, 439, 440, 451, 452,
D14/457, 239; D8/363, 373, 380;
D6/406.3, 406.4, 406.5, 406.6; D12/415
CPC A47B 21/04; A47B 2097/006; A47B
2097/005; A47B 2023/049; A45C
2011/002; A45C 2011/003; F16M
2200/00; F16M 13/00
See application file for complete search history.

(56) **References Cited**

U.S. PATENT DOCUMENTS

D654,120 S * 2/2012 Lin D14/434
D667,012 S * 9/2012 Chen D14/447

D679,280 S * 4/2013 Lewis D14/447
D697,514 S * 1/2014 Davis D14/447
D711,889 S * 8/2014 Ritchey D14/447
D714,775 S * 10/2014 Yoo D14/253
D716,642 S * 11/2014 Harges D8/380
D739,410 S * 9/2015 Chun D14/447
D745,014 S * 12/2015 Vales D14/447
D748,099 S * 1/2016 Heid D14/447
D749,081 S * 2/2016 Serfoss D14/447
D756,368 S * 5/2016 Coleman D14/447
D797,750 S * 9/2017 Wengreen D14/447

* cited by examiner

Primary Examiner — Angela J Lee

(74) *Attorney, Agent, or Firm* — Gokalp Bayramoglu

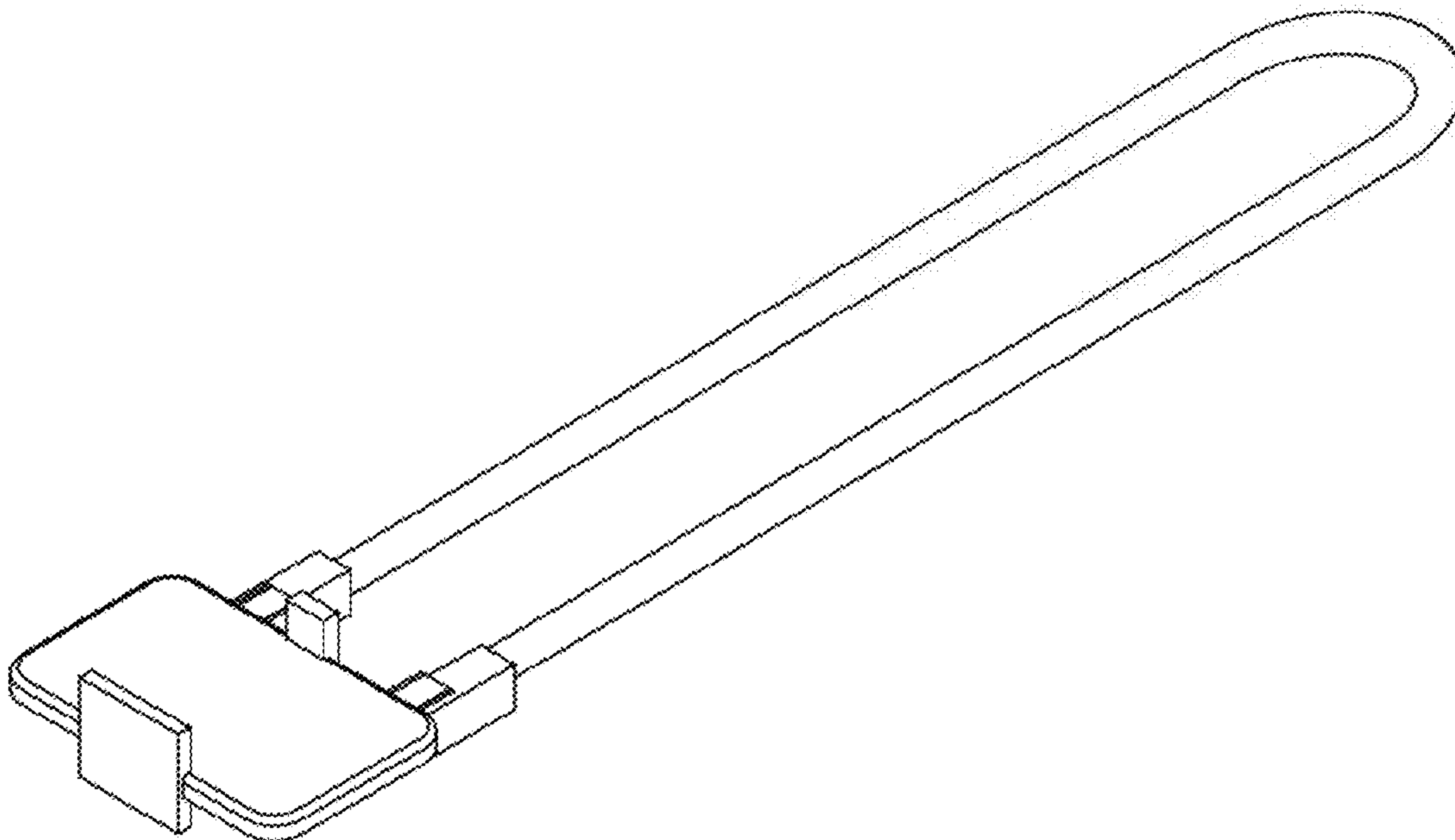
(57) **CLAIM**

The ornamental design for a support for electronic device, as shown and described.

DESCRIPTION

FIG. 1 is a perspective view of a support for electronic device showing the new design;
FIG. 2 is a front view of the support for electronic device;
FIG. 3 is a rear view of the support for electronic device;
FIG. 4 is a left view of the support for electronic device;
FIG. 5 is a right view of the support for electronic device;
FIG. 6 is a top side view of the support for electronic device;
and,
FIG. 7 is a bottom side view of the support for electronic device.

1 Claim, 7 Drawing Sheets



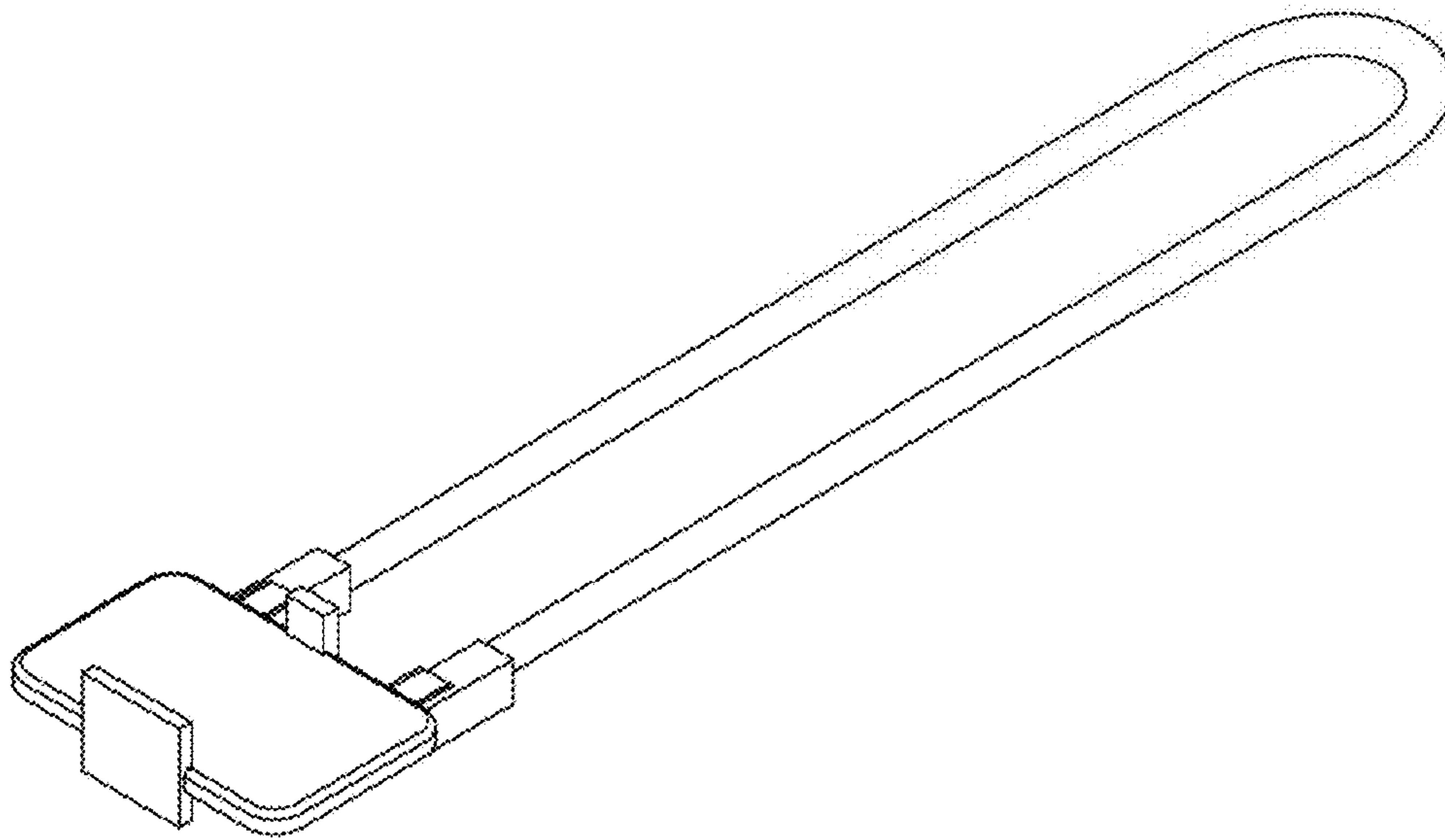


Figure 1

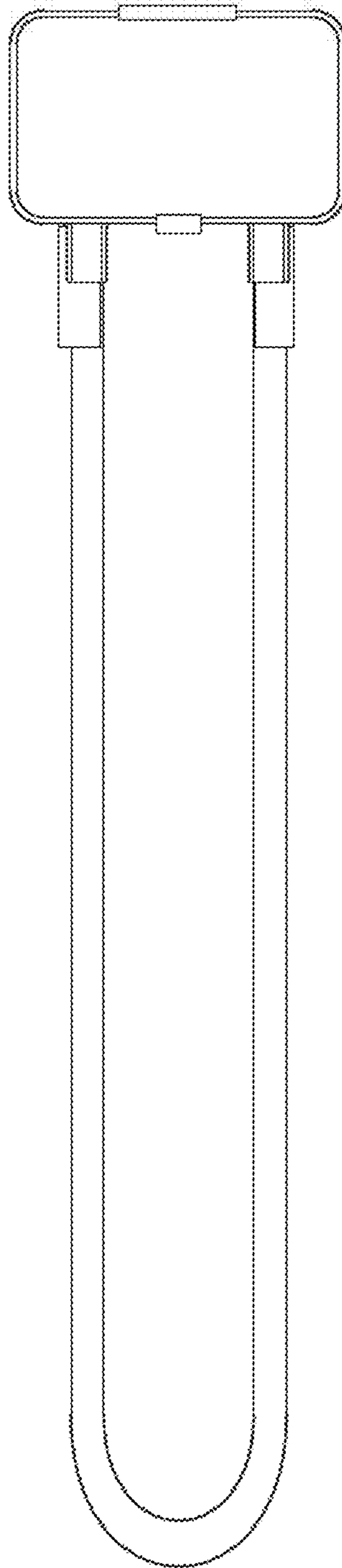


Figure 2

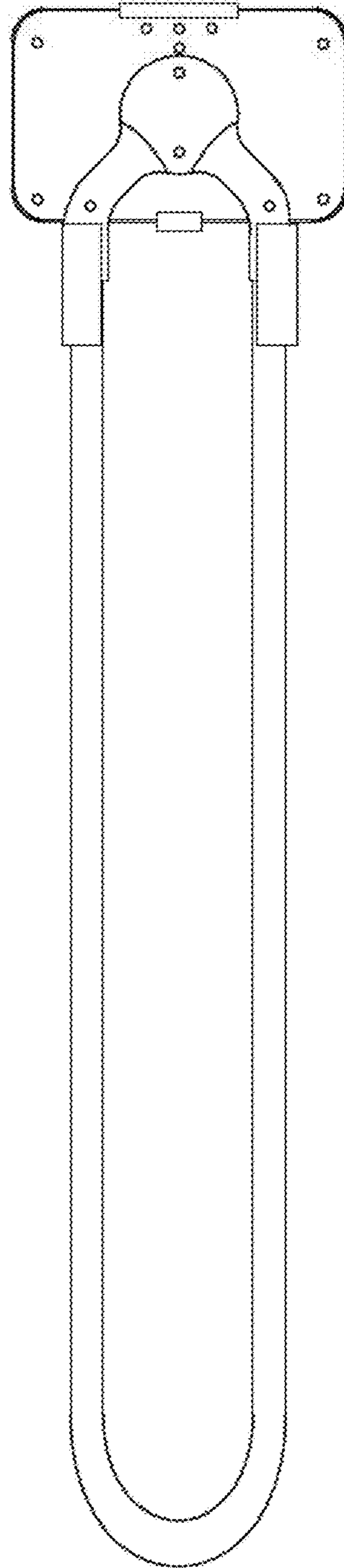


Figure 3

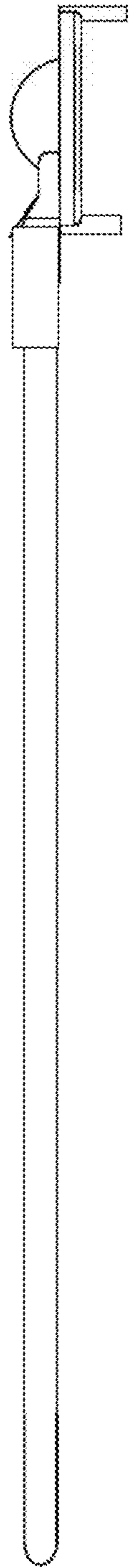


Figure 4

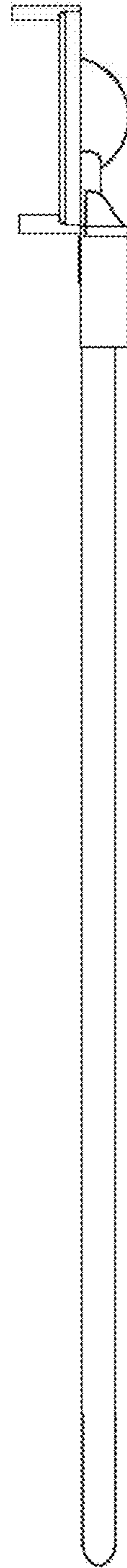


Figure 5

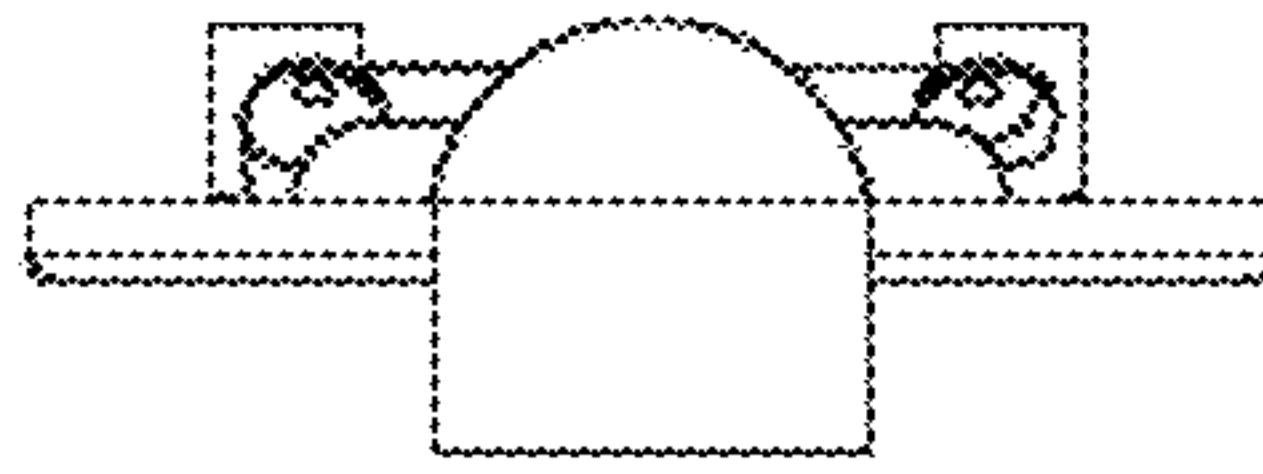


Figure 6

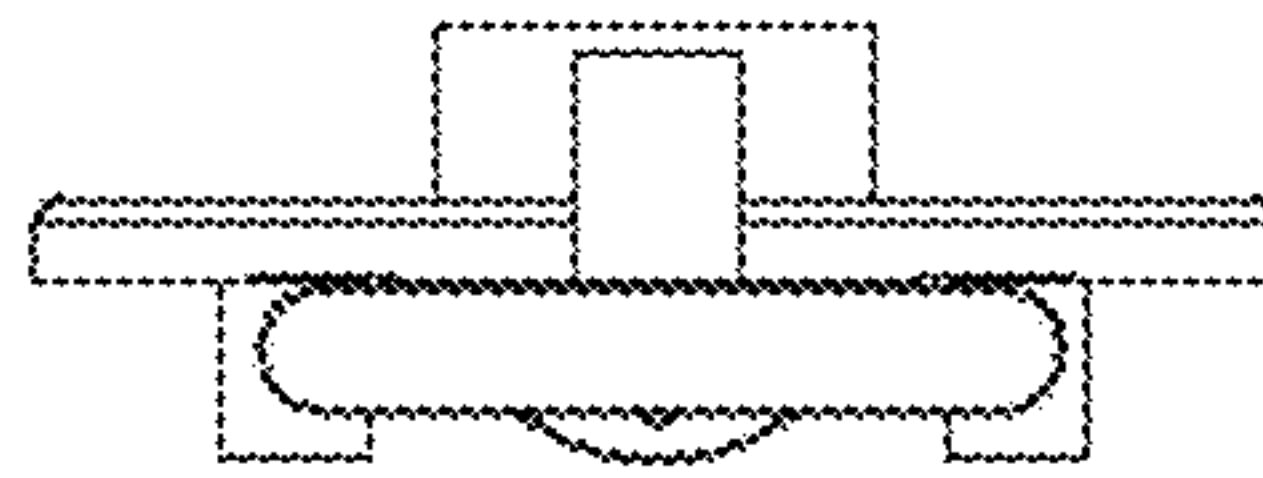


Figure 7