



US00D826947S

(12) **United States Design Patent**
Zhong

(10) **Patent No.:** **US D826,947 S**

(45) **Date of Patent:** **** Aug. 28, 2018**

(54) **HAND STRAP**

(71) Applicant: **Getac Technology Corporation,**
Hsinchu County (TW)

(72) Inventor: **Shi-Liang Zhong,** Taipei (TW)

(73) Assignee: **GETAC TECHNOLOGY**
CORPORATION, Hsinchu County
(TW)

(**) Term: **15 Years**

(21) Appl. No.: **29/612,850**

(22) Filed: **Aug. 4, 2017**

(51) **LOC (11) Cl.** **14-02**

(52) **U.S. Cl.**
USPC **D14/439**

(58) **Field of Classification Search**
USPC D14/300-302, 308-313, 314, 348,
D14/353-355, 432, 439-446, 447, 451;
361/679.02, 679.31, 679.5, 690, 694,
361/679.23, 801, 802; 312/332.1, 334.1;
D19/65, 91; D3/218; D8/354, 373;
D12/193; 248/206.2
CPC A45C 11/00; A45C 2011/003; B60R
11/0241; B60R 11/0252; F16M 13/00;
F16M 11/00
See application file for complete search history.

(56) **References Cited**

U.S. PATENT DOCUMENTS

- 7,717,483 B1 * 5/2010 Bombara A47G 23/0625
206/557
- D693,818 S * 11/2013 Webber D14/439
- D693,819 S * 11/2013 Cocquyt D14/439
- D714,394 S * 9/2014 Baumann D21/398
- D733,147 S * 6/2015 Stevens D14/439

- D749,559 S * 2/2016 Senoff D14/251
- D765,662 S * 9/2016 Kang D14/251
- D769,859 S * 10/2016 Herbst D14/253
- D772,233 S * 11/2016 Cho D14/439
- 9,486,910 B2 * 11/2016 Stevens F16M 11/041
- D792,408 S * 7/2017 Kuo D14/432
- D795,240 S * 8/2017 Kaufman D14/253
- D819,603 S * 6/2018 Pearce D14/217
- D820,823 S * 6/2018 Ahn D14/253
- 2011/0284599 A1 * 11/2011 Sternick A45F 5/00
224/191

* cited by examiner

Primary Examiner — Austin Murphy

(74) *Attorney, Agent, or Firm* — Locke Lord LLP; Tim
Tingkang Xia, Esq.

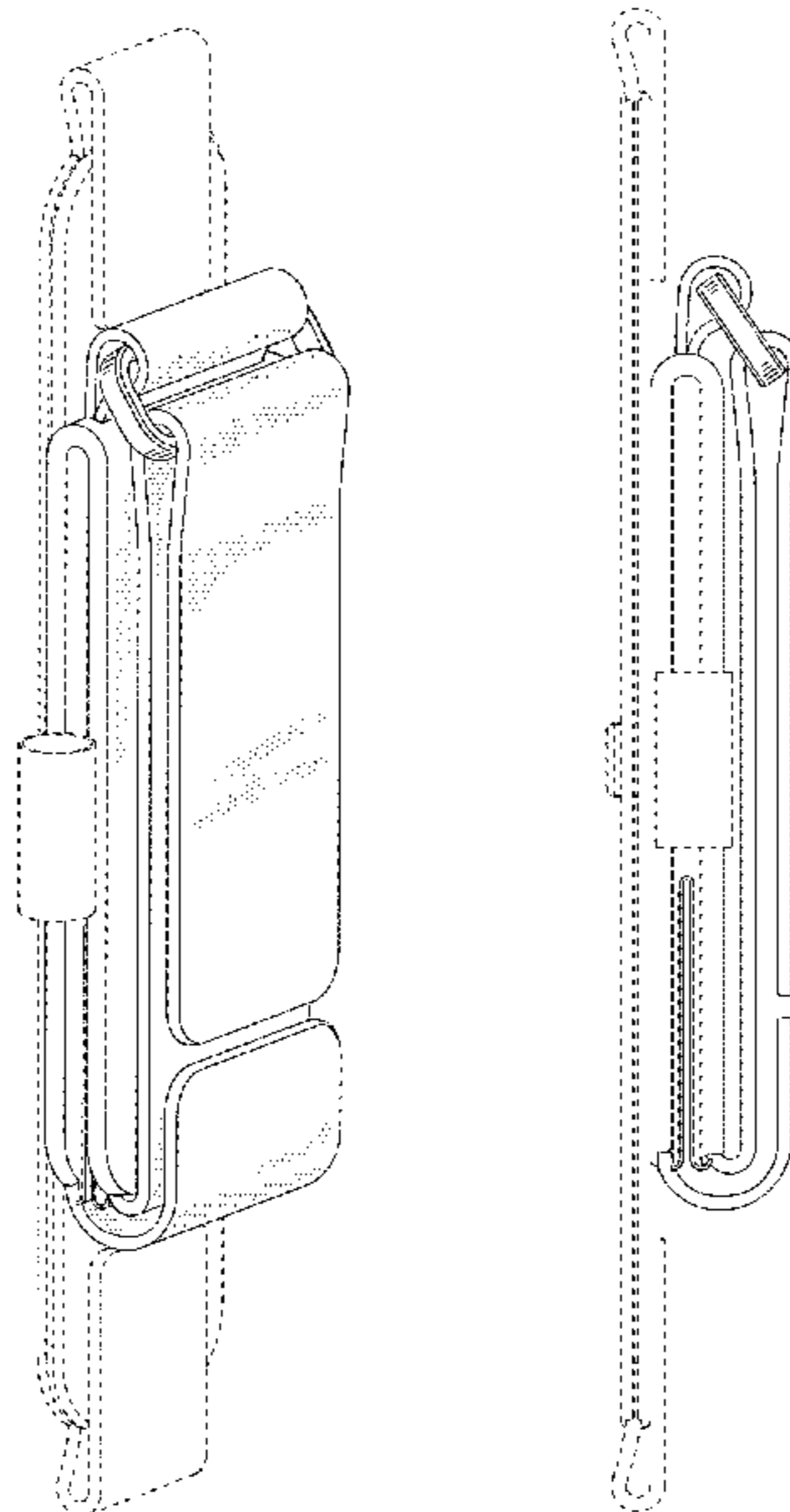
(57) **CLAIM**

The ornamental design for a hand strap, as shown and
described.

DESCRIPTION

FIG. 1 is a perspective view of a hand strap showing the
claimed design;
FIG. 2 is a front elevational view thereof;
FIG. 3 is a rear elevational view thereof;
FIG. 4 is a left side elevational view thereof;
FIG. 5 is a right side elevational view thereof;
FIG. 6 is a top plan view thereof;
FIG. 7 is a bottom plan view thereof;
FIG. 8 is another perspective view showing the hand strap
for use with a portable electronic device; and,
FIG. 9 is another perspective view showing the hand strap
being extended to support a portable electronic device.
The broken lines are directed to environment and are for
illustrative purpose only; the broken lines form no part of the
claimed design.

1 Claim, 7 Drawing Sheets



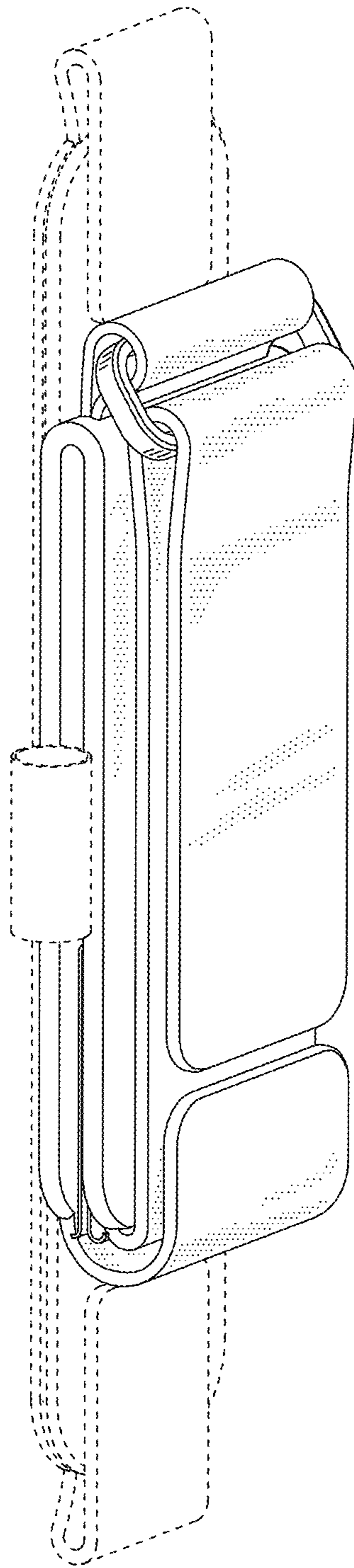


FIG. 1

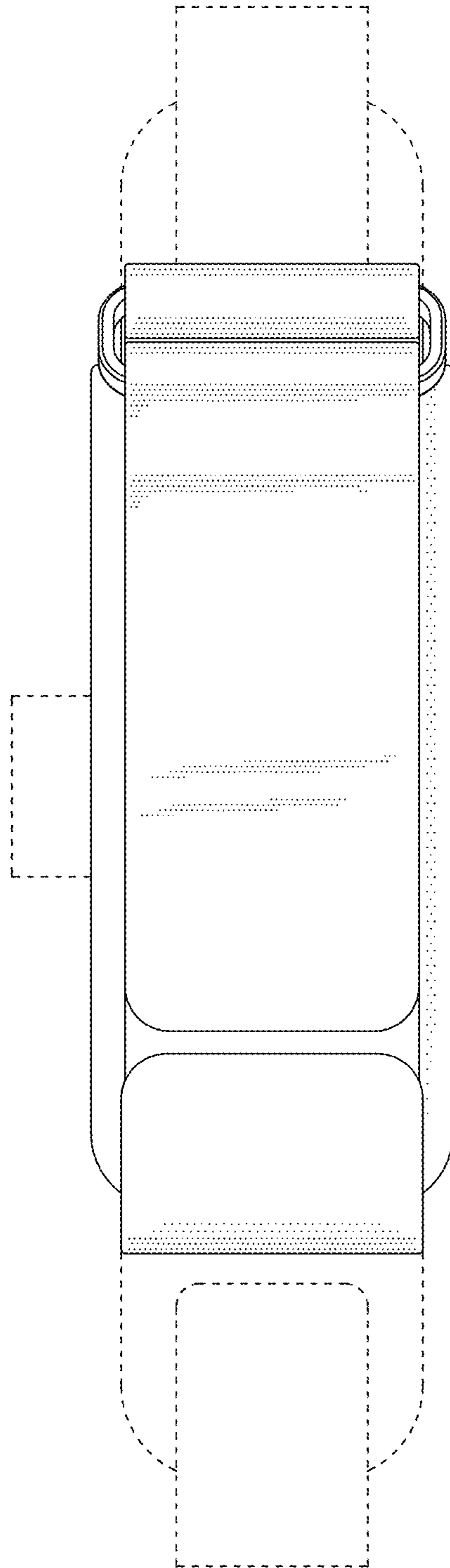


FIG. 2

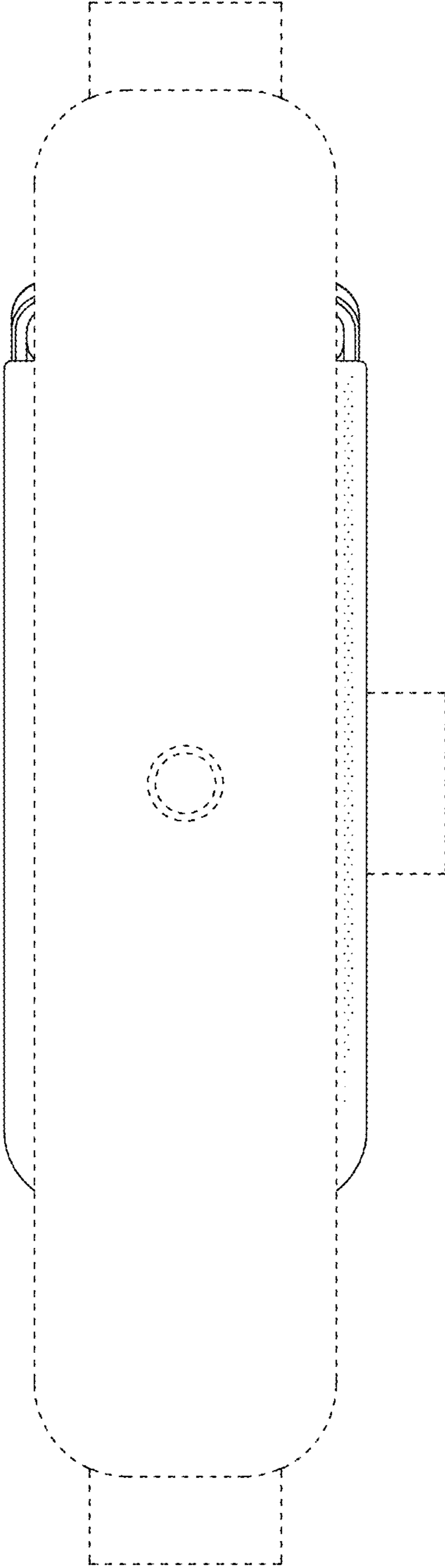


FIG. 3

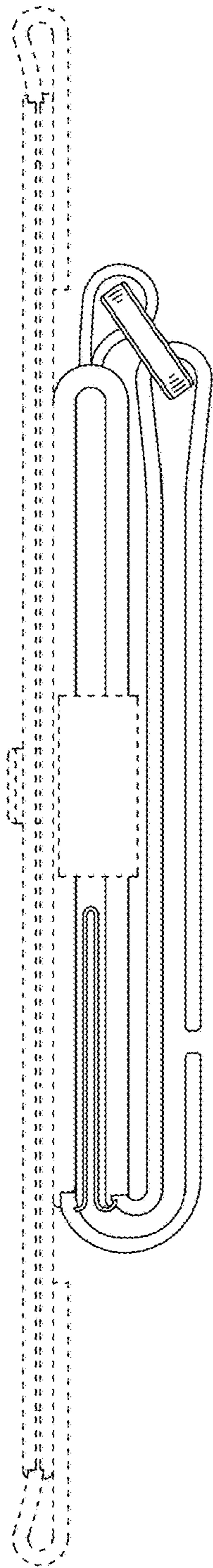


FIG. 4

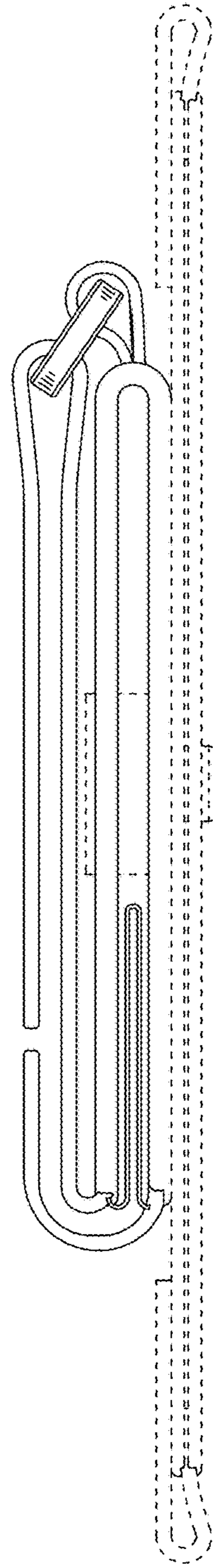


FIG. 5

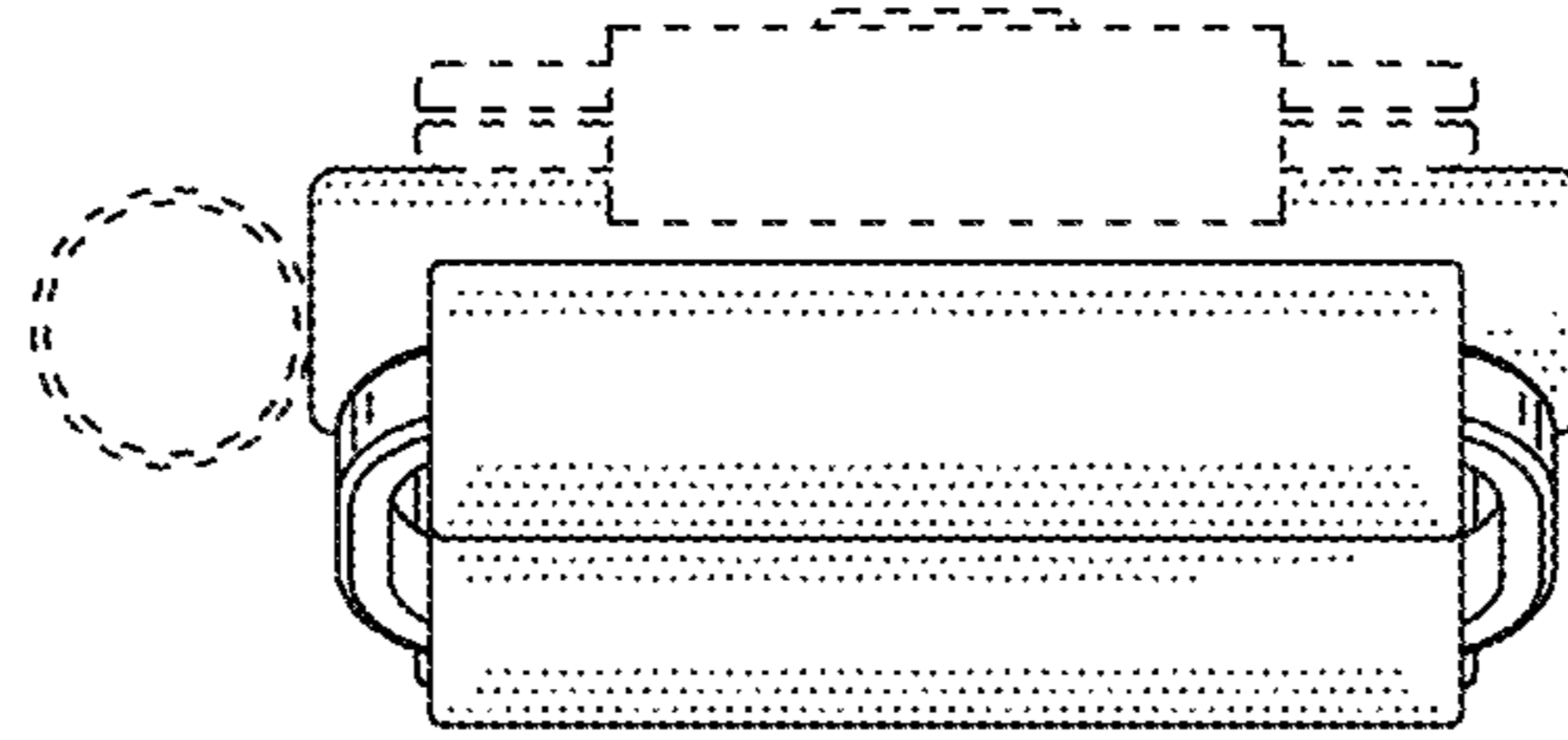


FIG. 6

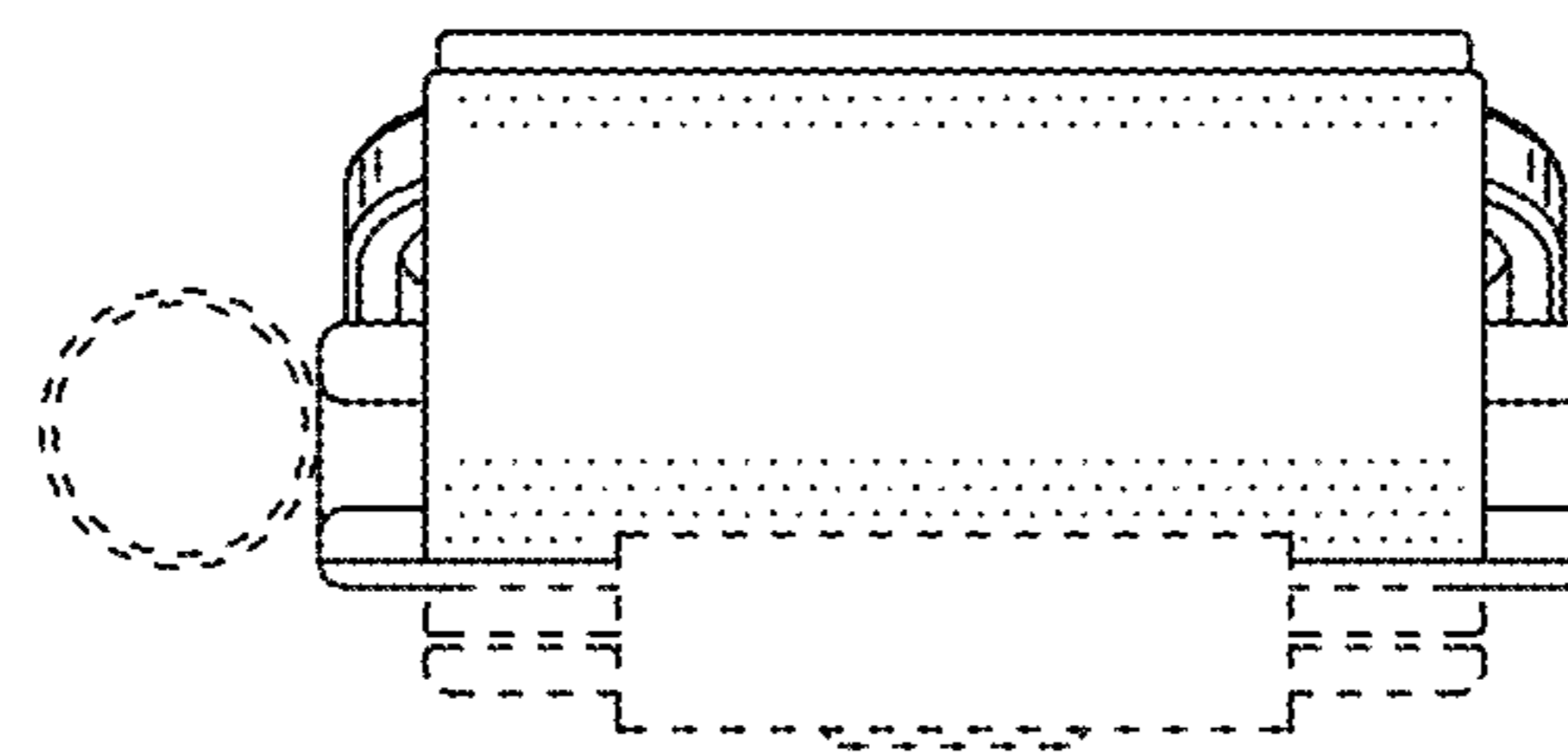


FIG. 7

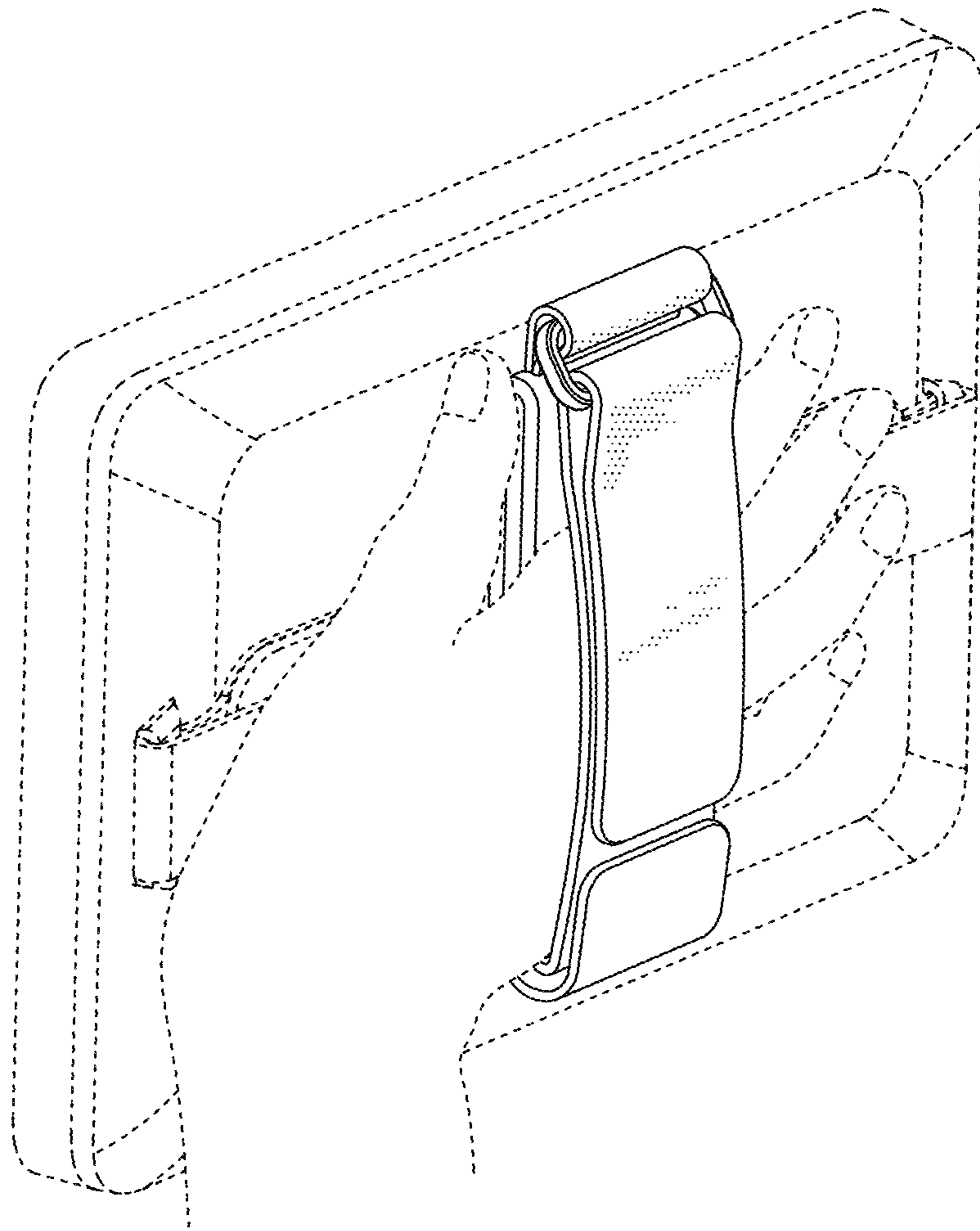


FIG. 8

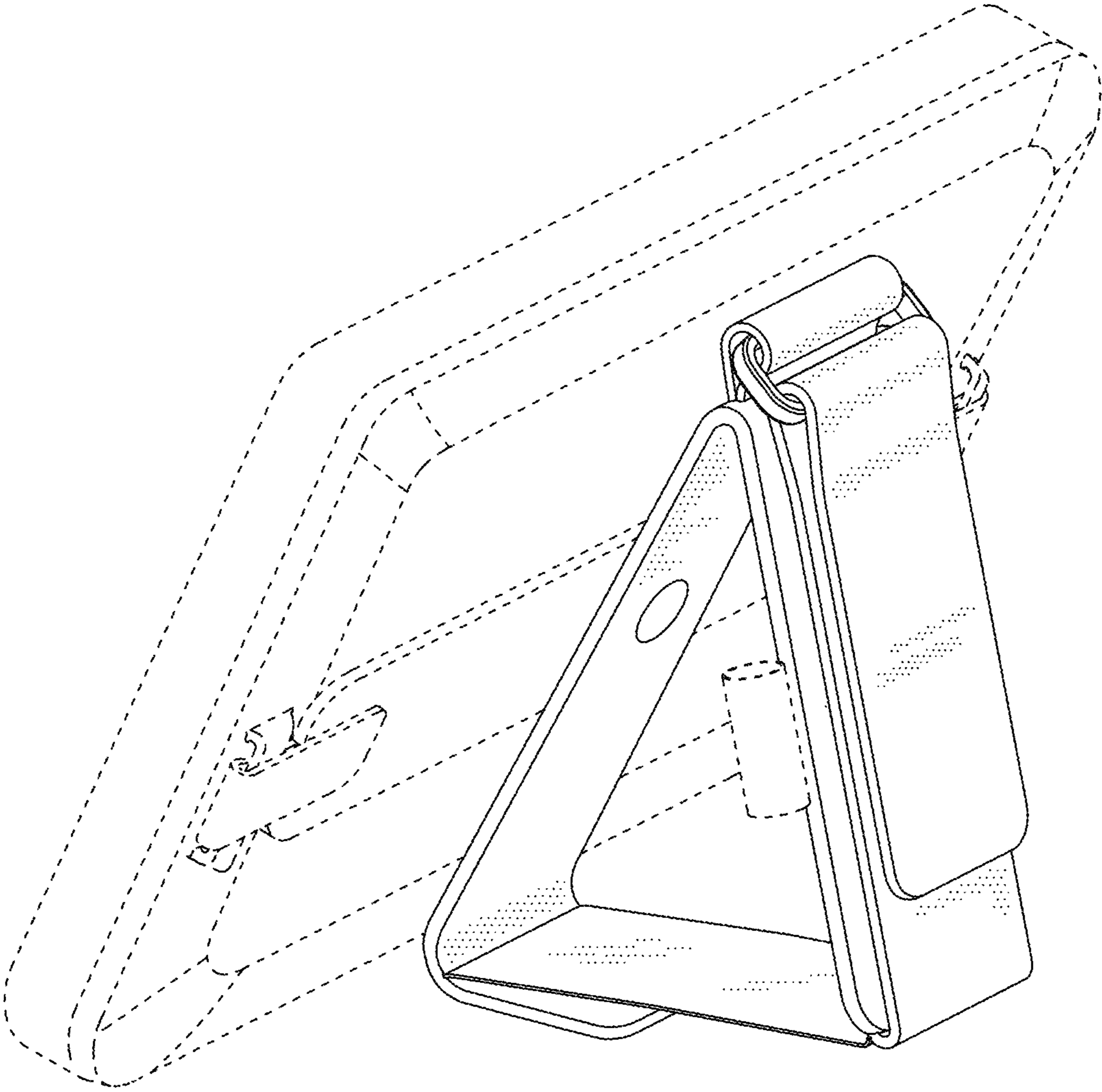


FIG. 9