



US00D826945S

(12) **United States Design Patent**
Lim et al.

(10) **Patent No.:** **US D826,945 S**
(45) **Date of Patent:** **** Aug. 28, 2018**

(54) **SSD STORAGE DEVICE**

(71) Applicant: **SAMSUNG ELECTRONICS CO., LTD.**, Suwon-si (KR)

(72) Inventors: **G. M Lim**, Seoul (KR); **Eun-jin Yun**, Seoul (KR)

(73) Assignee: **SAMSUNG ELECTRONICS CO., LTD.**, Suwon-si (KR)

(**) Term: **15 Years**

(21) Appl. No.: **29/614,247**

(22) Filed: **Aug. 17, 2017**

(30) **Foreign Application Priority Data**

Feb. 17, 2017 (KR) 30-2017-0007653

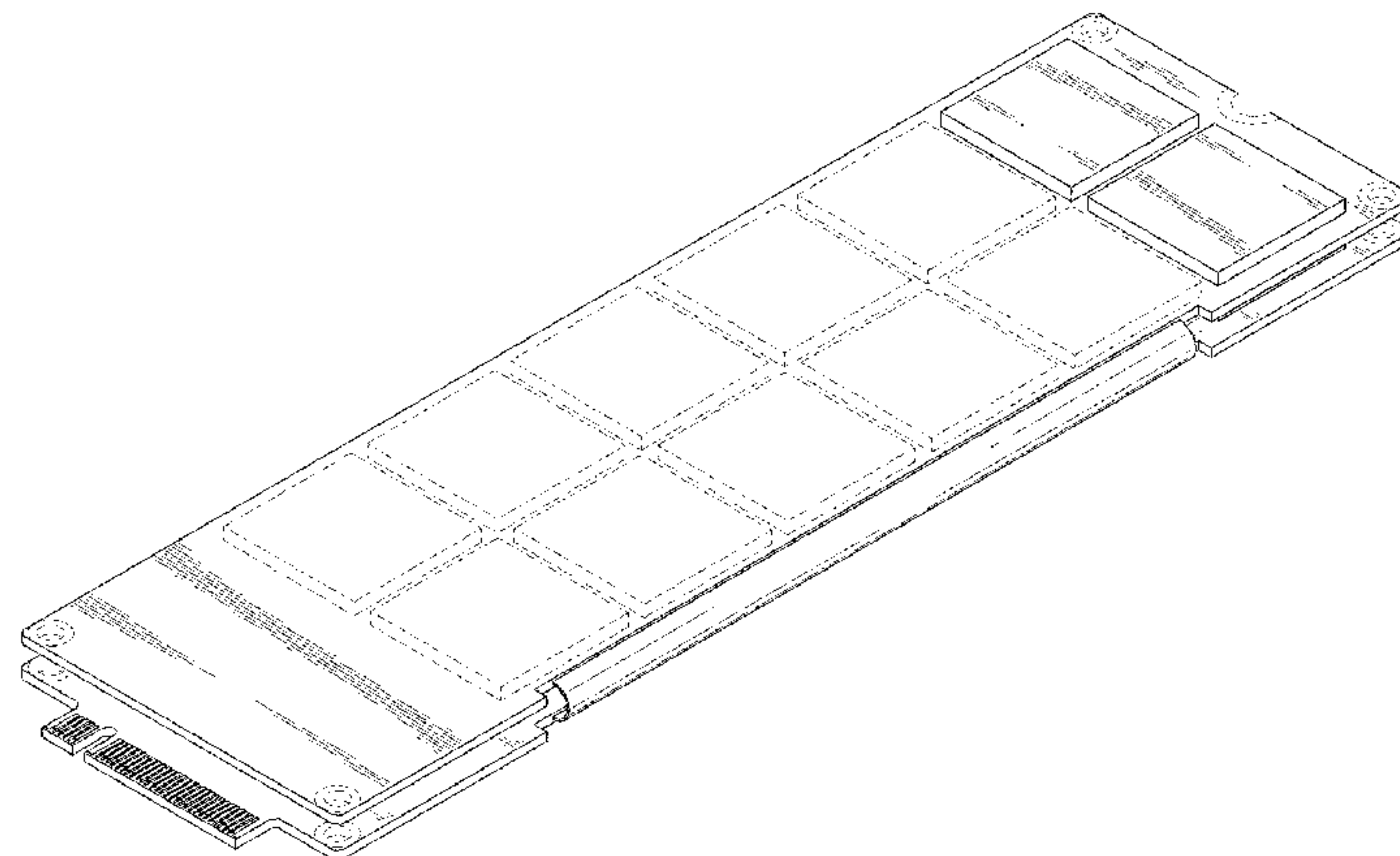
(51) **LOC (11) Cl.** **14-02**

(52) **U.S. Cl.**
USPC **D14/436**; D14/435

(58) **Field of Classification Search**
USPC 2/DIG. 6; 5/417, 419–420, 465, 5/632–634; 108/43; 248/118, 118.1, 248/118.3, 118.5, 205.2, 346, 346.01, 248/346.07, 346.1, 438, 633, 918; 273/338, 438, DIG. 30; 297/218.1, 297/228.12, 352, 377, 440.1, 440.11, 297/440.15, 452.1, 452.16; 312/208.1–208.4, 223.2, 322; 340/710; 345/163, 173; 360/69, 97.02, 53; 361/679.33–679.45, 737, 752, 736, 728, 361/796, 797, 729, 730, 725–727, 749, 361/760, 784, 789, 771, 792, 764, 765, 361/704, 715, 710, 711, 719, 767, 785, 361/803; 400/412, 713–715; 428/137–138, 140, 304.4, 457; 442/9; D3/273; D6/201, 204, 429–431, 449, D6/474, 509–510; D9/432; D10/65, 75, D10/78; D13/103, 119, 162, 184, 199, D13/182; D14/110, 114, 125, 240, 242, D14/299–302, 314, 348–370, 435–438,

D14/496, 478–480; D18/1, 7, 9, 11; 235/441, 443, 487, 492, 493, 495, 380; 257/678, 679, 693, E23.064, 734, 713, 257/718, 719, E25.023, E21.705, 257/E23.098, E23.177; 439/946, 948, 439/159, 77; 174/250, 260, 52.1, 52.2, 174/16.1, 16.3; 710/300–303; 438/121; 376/191; 165/185, 80.2; 711/104, 164; 365/191, 51, 200, 201, 230.1, 230.03, 365/233.11, 212.63; 714/733, 744, 763, 714/718, 723, 766, 6.13, 773

CPC G06K 19/06196; G06K 19/072; G06K 19/0721; G06K 19/0722; G06K 19/0723; G06K 19/0724; G06K 19/0725; G06K 19/0726; G06K 19/0727; G06K 19/0728; G06K 19/073; G06K 19/07309; G06K 19/077; G06K 19/07701; G06K 19/07715; G06K 19/0772; G06K 19/07724; G06K 19/07726; G06K 19/07728; G06F 21/86; G06F 21/87; G06F 21/77–21/80; G06F 21/85–21/88; G06F 21/00; G06F 3/0604; G06F 3/0688; G06F 3/0653; G06F 3/0659; G06F 11/1076; G06F 11/1008; G06F 11/1044; G06F 12/1416; G06F 12/1425; G06F 12/1433; G06F 13/00; G06Q 20/3229; G06Q 20/34; G06Q 20/341; G06Q 20/346; G06Q 20/349; G06Q 20/3563; G06Q 20/3567; G06Q 20/357; G06Q 20/3576; H05K 5/026; H05K 5/0256; H05K 5/0265; H05K 5/0269; H05K 5/0273; H05K 5/0278; H05K 5/0282; H05K 5/0286; H05K 5/0291; H05K 5/0295; H05K 5/03; H05K 5/04; H05K 5/06; H05K 5/061; H05K 5/062; H05K 5/063; H05K 5/064; H05K 5/065; H05K 5/066; H05K 5/067; H05K 5/068; H05K 5/069; H05K 7/00; H05K 7/005; H05K 7/02; H05K 7/023; H05K 7/026; H05K 7/04; H05K 7/10; H05K 7/1418; H05K 7/142; H05K 7/1424; H05K 7/1427–7/1439; H05K 7/1461; H05K 7/1464–7/1474; H05K 7/1479; H05K 7/1481; H05K 7/1485–7/1488; H05K



US D826,945 S

2201/09745; H05K 2201/09754; H05K
 2201/09763; H05K 2201/09772; H05K
 2201/098; H05K 2201/09818; H05K
 2201/10; H05K 2201/10007; H05K
 1/189; H05K 1/0203; H05K 1/118; H05K
 1/181; H05K 3/00; H05K 3/0061; H05K
 999/00; H05K 2201/056; H05K
 2201/1056; H05K 2201/10734; H05K
 2201/2018; H05K 2203/1572; H04N
 2201/216; G11C 16/0483; G11C 16/225;
 G11C 16/10; G11C 7/04; G11C 7/22;
 G11C 5/04; G11C 5/00; G11C 5/143;
 G11C 29/12; G11C 29/26; G11C 29/16;
 G11C 2029/0401; H01L 23/3672; H01L
 23/4093; H01L 2924/0002; H01L
 2924/00; H01L 25/0652; H01L 25/105

See application file for complete search history.

7,839,712	B2 *	11/2010	Djordjevic	G11C 5/04 365/212
7,861,029	B2 *	12/2010	Djordjevic	G11C 5/025 365/63
D637,192	S	5/2011	Andre et al.		
D637,193	S	5/2011	Andre et al.		
8,018,723	B1 *	9/2011	Yu	H01L 23/367 257/707
D652,041	S *	1/2012	Andre	D14/436
D655,296	S *	3/2012	Andre	D14/436
D673,922	S *	1/2013	Moriai	D13/182
8,347,057	B2 *	1/2013	Nishio	G06F 13/1673 711/167
8,422,263	B2 *	4/2013	Saito	G11C 5/04 365/189.03
D686,215	S *	7/2013	Andre	D14/436
8,510,629	B2 *	8/2013	Tsukada	G06F 11/1044 714/763
8,705,240	B1 *	4/2014	Zohni	H01L 23/367 361/704
8,796,830	B1 *	8/2014	Fjelstad	H01L 23/4952 257/676
D716,310	S *	10/2014	Andre	D14/436
8,885,422	B2 *	11/2014	Ribeiro	G11C 5/02 365/189.17
D753,073	S	4/2016	Sponring		
D787,456	S *	5/2017	Matsumoto	D13/182
D787,457	S *	5/2017	Matsumoto	D13/182
D793,973	S *	8/2017	Matsumoto	D13/182
D794,035	S *	8/2017	Hung	D14/435
D798,251	S *	9/2017	Li	D13/182
2004/0196682	A1 *	10/2004	Funaba	H01L 23/552 365/149
2005/0082663	A1 *	4/2005	Wakiyama	H01L 23/5387 257/717
2006/0049500	A1 *	3/2006	Goodwin	G11C 5/04 257/686
2006/0049502	A1 *	3/2006	Goodwin	G06F 1/184 257/686
2006/0049513	A1 *	3/2006	Goodwin	G11C 5/00 257/712
2006/0050488	A1 *	3/2006	Goodwin	G11C 5/04 361/749
2006/0050489	A1 *	3/2006	Wehrly, Jr.	H01L 25/0652 361/749
2006/0050492	A1 *	3/2006	Goodwin	G11C 5/04 361/767
2006/0050498	A1 *	3/2006	Cady	G11C 5/04 361/803
2006/0050592	A1 *	3/2006	Cady	H05K 1/189 365/230.03
2006/0129888	A1 *	6/2006	Szewerenco	G06F 1/20 714/30
2006/0171247	A1 *	8/2006	Hoppe	G11C 5/04 365/189.07
2006/0261449	A1 *	11/2006	Rapport	G11C 5/04 257/666
2007/0011574	A1 *	1/2007	Weiss	G06F 11/1008 714/763
2007/0033490	A1 *	2/2007	Moosrainer	G06F 11/1044 714/763
2007/0139897	A1 *	6/2007	RaghuRam	H01L 23/3672 361/720
2007/0176286	A1 *	8/2007	Wehrly, Jr.	H01L 25/0655 257/723
2007/0212902	A1 *	9/2007	Clayton	G06F 1/183 439/66
2007/0212906	A1 *	9/2007	Clayton	H01L 23/5387 439/77
2007/0212919	A1 *	9/2007	Clayton	H01L 23/473 439/326
2007/0212920	A1 *	9/2007	Clayton	H01R 12/721 439/326
2007/0223198	A1 *	9/2007	Lai	H01L 23/3672 361/720

(56)

References Cited

U.S. PATENT DOCUMENTS

4,872,505	A *	10/1989	Jones	H01L 23/4006 165/185
5,224,023	A *	6/1993	Smith	G06F 1/184 174/254
5,347,428	A *	9/1994	Carson	H01L 25/0657 174/260
5,754,409	A *	5/1998	Smith	H01R 12/62 174/254
5,995,370	A *	11/1999	Nakamori	H01L 23/367 165/185
6,002,589	A *	12/1999	Perino	H01L 23/4985 257/E23.065
6,021,048	A *	2/2000	Smith	H05K 1/144 361/736
6,025,992	A *	2/2000	Dodge	H01L 23/3733 165/80.3
6,088,829	A *	7/2000	Umemura	G06F 13/4243 713/400
D432,096	S *	10/2000	Jeon	D13/182
6,381,140	B1 *	4/2002	Liao	G11C 5/04 361/679.32
6,535,387	B2 *	3/2003	Summers	H01L 23/4093 165/185
6,590,282	B1 *	7/2003	Wang	H01L 25/0657 257/685
6,614,664	B2 *	9/2003	Lee	G11C 15/00 361/748
6,628,538	B2 *	9/2003	Funaba	G11C 5/04 257/E25.01
6,757,751	B1 *	6/2004	Gene	H05K 1/144 439/101
6,762,942	B1 *	7/2004	Smith	H05K 1/189 174/258
6,956,284	B2 *	10/2005	Cady	H01L 23/3114 257/685
7,269,025	B2 *	9/2007	David	G11C 5/04 257/E23.079
7,299,313	B2 *	11/2007	Gower	G06F 13/1684 710/105
7,516,281	B2 *	4/2009	LaBerge	G06F 13/4086 711/105
7,590,899	B2 *	9/2009	Swietek	G06F 12/1416 711/104
7,619,893	B1 *	11/2009	Yu	H01L 23/3672 165/185
7,636,274	B2 *	12/2009	Solomon	G06F 12/0207 365/233.13
7,688,592	B2 *	3/2010	Gruendler	H01L 23/4093 165/185
7,811,097	B1 *	10/2010	Bhakta	H05K 1/147 439/71

US D826,945 S

Page 3

2007/0294889	A1*	12/2007	Schmitt	H01L 25/50 29/831	KR	30-0645777 S	6/2012
2008/0094811	A1*	4/2008	Hazelzet	G11C 5/04 361/760	KR	30-0680966 S	2/2013
2008/0116571	A1*	5/2008	Dang	H01L 23/3672 257/721	KR	30-0680971 S	2/2013
2008/0123300	A1*	5/2008	Tian	G11C 5/04 361/721			
2008/0123303	A1*	5/2008	Sugano	G11C 5/00 361/728			
2008/0137278	A1*	6/2008	Chih	G11C 5/06 361/679.31			
2009/0129026	A1*	5/2009	Baek	H01L 23/3672 361/710			
2009/0268390	A1*	10/2009	King	G06F 13/409 361/679.33			
2010/0073860	A1*	3/2010	Moriai	G06F 3/0626 361/679.32			
2013/0219235	A1*	8/2013	Ohba	G11C 29/12 714/718			
2016/0172016	A1*	6/2016	Matsumoto	G11C 5/04 365/191			
2016/0334992	A1*	11/2016	Yashiro	G06F 3/0614			
2017/0010639	A1*	1/2017	Matsumoto	G06F 1/183			

FOREIGN PATENT DOCUMENTS

CN	303719066 S	6/2016
JP	HJ2102377300	8/2009
JP	HJ2102377500	8/2009
JP	HJ 2103027200	10/2009
JP	1426165 S	10/2011
JP	1426166 S	10/2011
JP	1426167 S	10/2011
JP	1426168 S	10/2011
JP	1426169 S	10/2011
JP	1436225 S	3/2012
JP	D1479370 S	9/2013
JP	D1520122 S	3/2015
JP	D1528484 S	7/2015
JP	1600323 S	3/2018

OTHER PUBLICATIONS

Communication dated Nov. 3, 2017, issued by the Taiwanese Patent Office in counterpart Taiwanese Application No. 106304666.
Communication dated May 8, 2018 by the Japanese Patent Office in counterpart Japanese Patent Application No. 2017-017643.

* cited by examiner

Primary Examiner — Susan Moon Lee
(74) *Attorney, Agent, or Firm* — Sughrue Mion, PLLC

(57) CLAIM

The ornamental design for an SSD storage device, as shown and described.

DESCRIPTION

FIG. 1 is a perspective view of an SSD storage device showing our new design.

FIG. 2 is a front elevation view thereof.

FIG. 3 is a rear elevation view thereof.

FIG. 4 is a left side elevation view thereof.

FIG. 5 is a right side elevation view thereof.

FIG. 6 is a top plan view thereof; and,

FIG. 7 is a bottom plan view thereof.

Broken lines and unshaded portions contained within broken lines depict either features of the SSD storage device that form no part of the present design claim or exemplary elements that might be used in conjunction with the SSD storage device that are shown for illustrative purposes only and that form no part of the claimed design.

1 Claim, 7 Drawing Sheets

FIG. 1

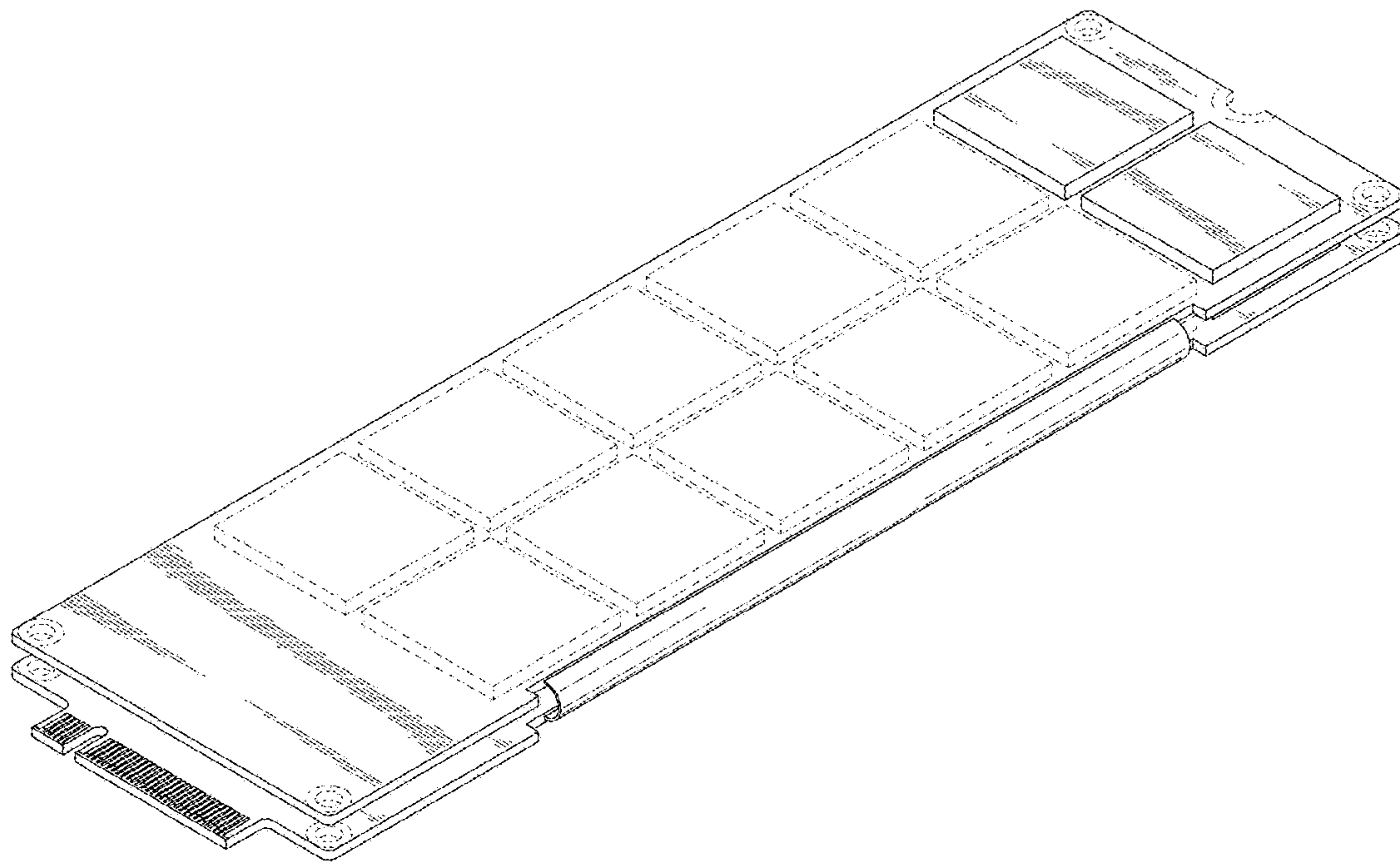


FIG. 2

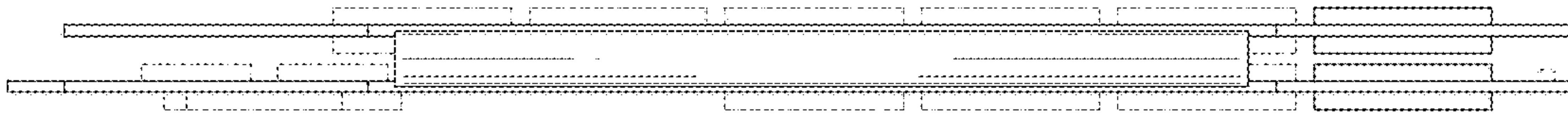


FIG. 3

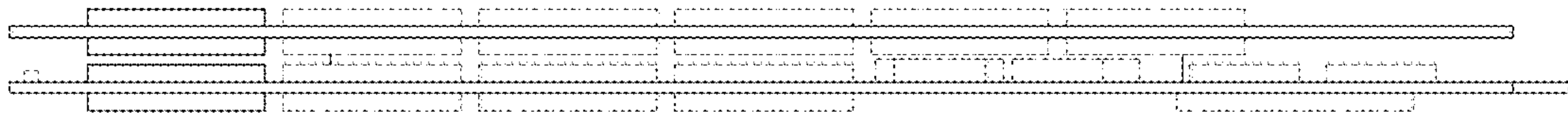


FIG. 4

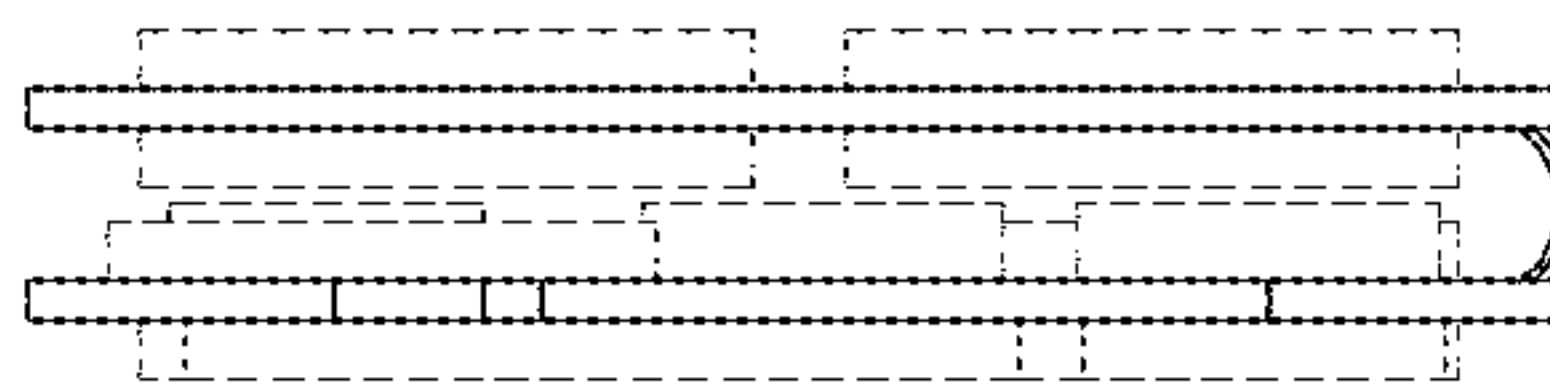


FIG. 5

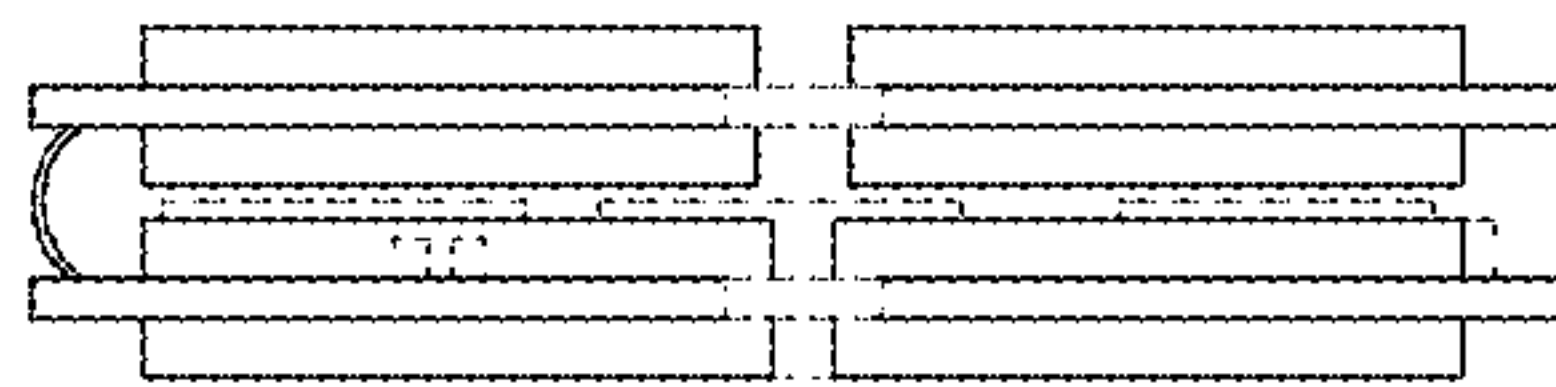


FIG. 6

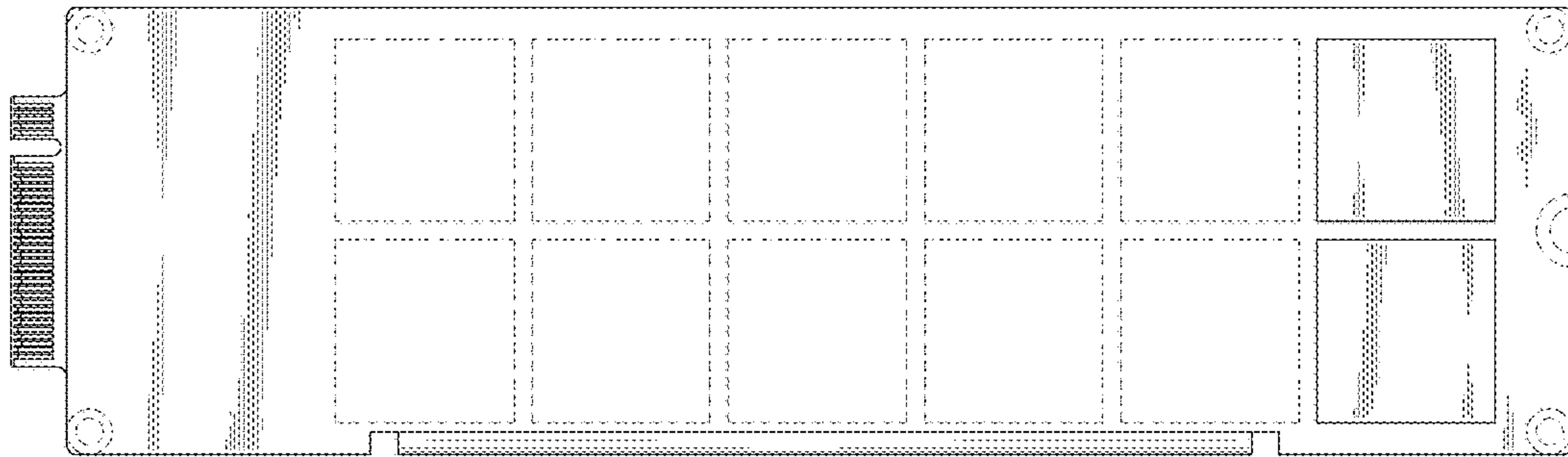


FIG. 7

