



US00D826943S

(12) **United States Design Patent** (10) **Patent No.:** **US D826,943 S**
Shino et al. (45) **Date of Patent:** **** Aug. 28, 2018**

(54) **PORT REPLICATOR**

(71) Applicant: **Panasonic Intellectual Property Management Co., Ltd., Osaka (JP)**

(72) Inventors: **Keisuke Shino, Osaka (JP); Go Osaki, Tokyo (JP); Shinji Fujita, Osaka (JP); Muneo Iwamoto, Osaka (JP)**

(73) Assignee: **Panasonic Intellectual Property Management Co., Ltd., Osaka (JP)**

(**) Term: **15 Years**

(21) Appl. No.: **29/597,358**

(22) Filed: **Mar. 16, 2017**

(30) **Foreign Application Priority Data**

Feb. 22, 2017 (JP) 2017-003440
Feb. 22, 2017 (JP) 2017-003441

(51) **LOC (11) Cl.** **14-02**

(52) **U.S. Cl.**
USPC **D14/434**

(58) **Field of Classification Search**
USPC D14/434, 440, 447, 251-253, 432, 451, D14/452, 454, 140, 142, 149, 217, 240, D14/299, 496, 356, 358, 357, 433, 359, D14/361, 363, 385; D13/103, 107, 108, D13/118, 119, 184; D21/333; D6/512, D6/672, 682
CPC G06F 1/1632; G06F 1/1635; G06F 1/1637; F16M 11/00; F16M 11/04; F16M 11/041
See application file for complete search history.

(56) **References Cited**

U.S. PATENT DOCUMENTS

4,252,244 A * 2/1981 Christian B21D 51/24 220/586
D331,920 S * 12/1992 Iino D14/434
D356,782 S * 3/1995 Leman D14/434

D359,034 S * 6/1995 Kondo D14/434
D366,034 S * 1/1996 Youens D14/434
D366,468 S * 1/1996 Ryan D14/434

(Continued)

OTHER PUBLICATIONS

Toughbook CF-33 Desktop Docking Station—CF-VEB331U. muggedmobile.com. (online) 1 pg. [Retrieved on Jun. 28, 2018] <https://www.muggedmobile.com/toughbook-cf-33-desktop-dock-CF-VEB331U.aspx> IMG URL: <https://www.muggedmobile.com/images/products/detail/toughbook33infographic14.png>*

Primary Examiner — Susan Bennett Hattan
Assistant Examiner — Marie D. Fast Horse
(74) *Attorney, Agent, or Firm* — Panasonic IP Management; Kerry S. Culpepper

(57) **CLAIM**

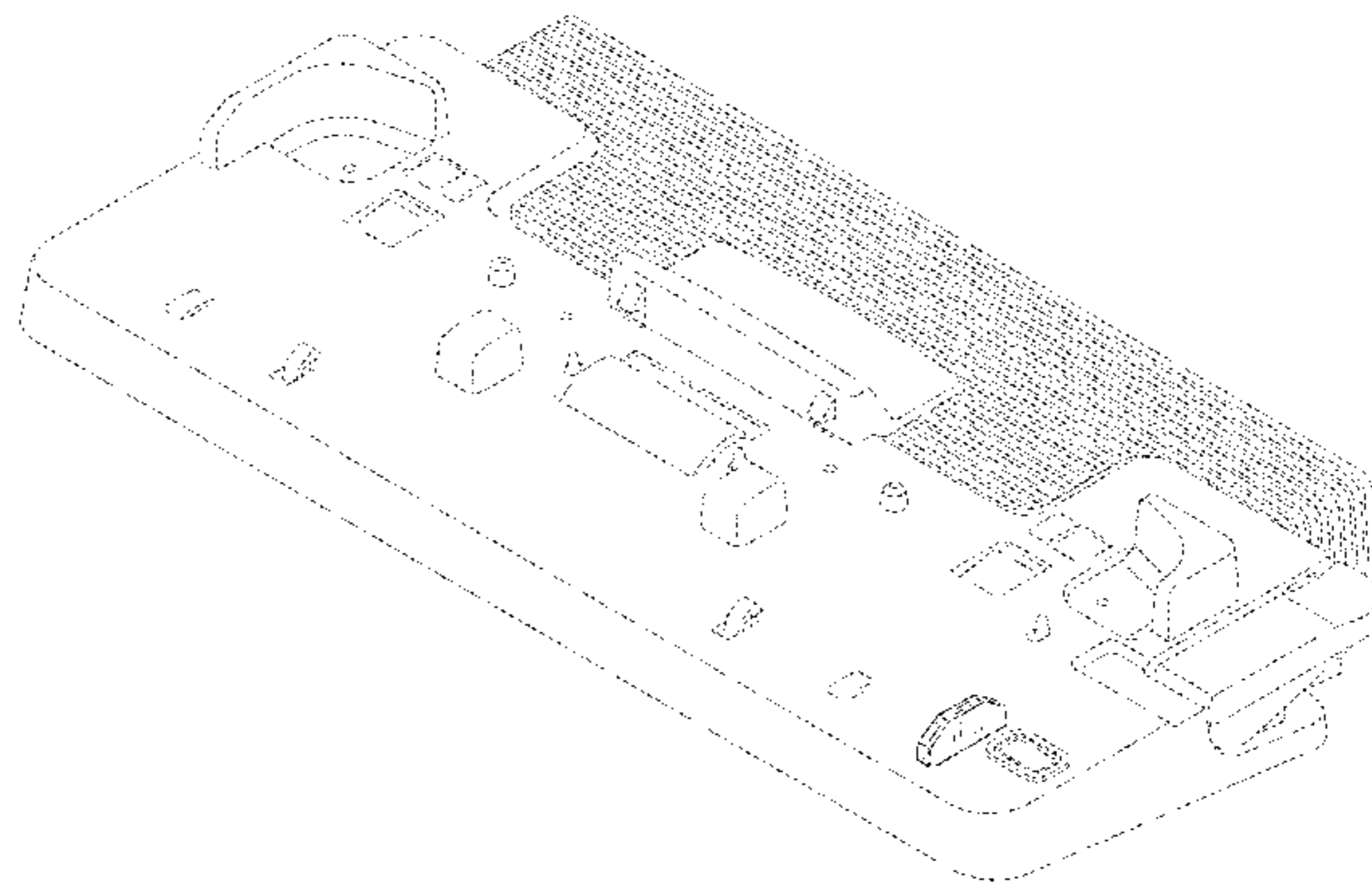
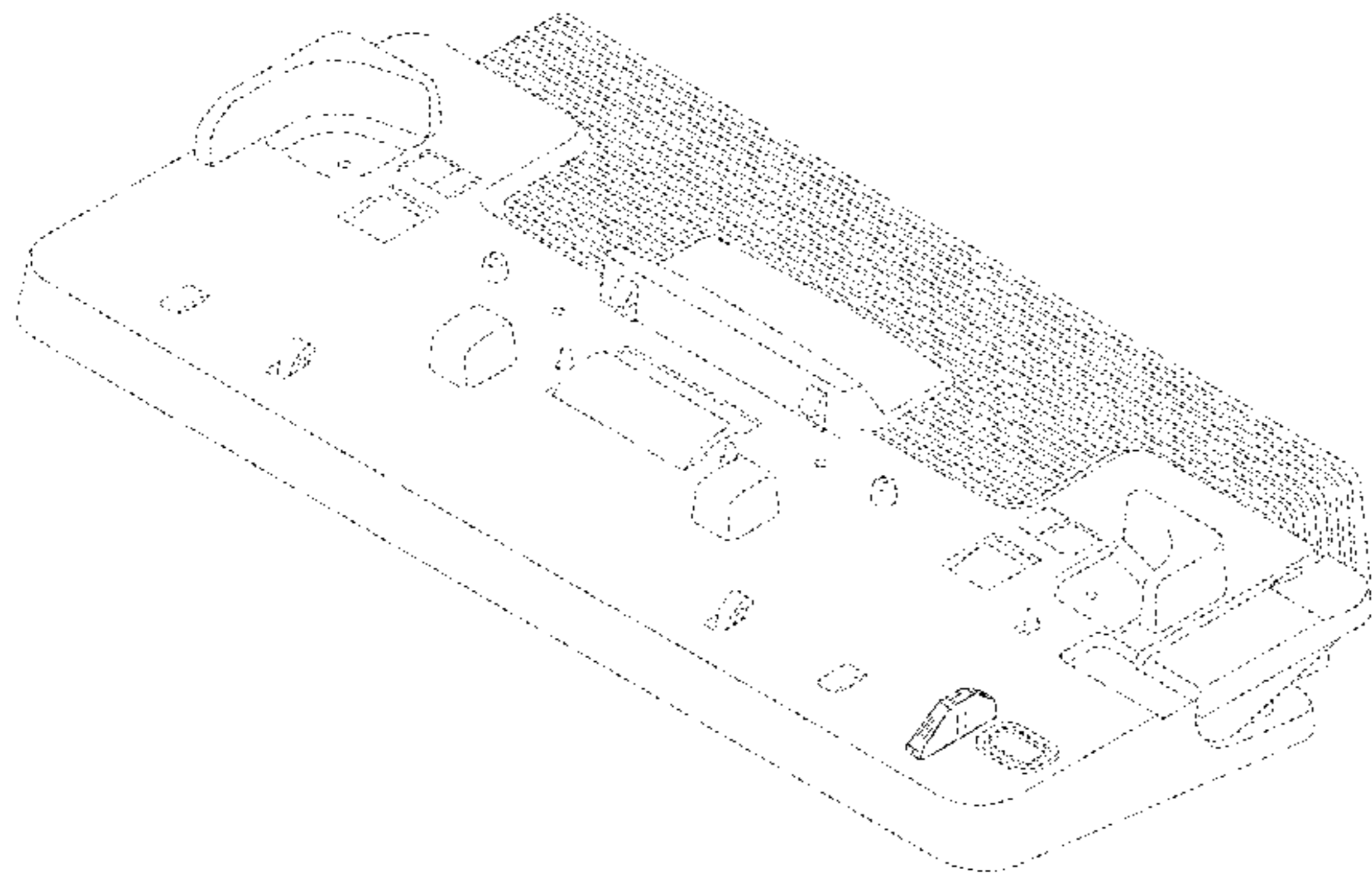
We claim the ornamental design for a port replicator, as shown and described.

DESCRIPTION

FIG. 1 is a front perspective view of a first embodiment of a port replicator of the present invention;
FIG. 2 is a front view thereof;
FIG. 3 is a rear view thereof;
FIG. 4 is a first side view thereof;
FIG. 5 is a second side view thereof;
FIG. 6 is a top view thereof;
FIG. 7 is a bottom view thereof;
FIG. 8 is a front perspective view of a second embodiment of a port replicator of the present invention;
FIG. 9 is a front view thereof;
FIG. 10 is a rear view thereof;
FIG. 11 is a first side view thereof;
FIG. 12 is a second side view thereof;
FIG. 13 is a top view thereof; and,
FIG. 14 is a bottom view thereof.

The broken lines in the drawings depict portions of the port replicator that form no part of the claimed design.

1 Claim, 14 Drawing Sheets



(56)

References Cited

U.S. PATENT DOCUMENTS

D366,469 S * 1/1996 Youens D14/434
 D371,545 S * 7/1996 Ojeda D14/434
 D372,901 S * 8/1996 Chu D14/434
 D378,676 S * 4/1997 Goodman D14/447
 D389,819 S * 1/1998 Yamazaki D14/434
 D391,929 S * 3/1998 Inoue D14/434
 D391,931 S * 3/1998 Iino D14/434
 D394,247 S * 5/1998 Kondo D14/434
 D396,454 S * 7/1998 Shima D14/434
 D400,515 S * 11/1998 Shima D14/433
 D402,642 S * 12/1998 Faranda D14/434
 D408,025 S * 4/1999 Tanimura D14/434
 D412,319 S * 7/1999 Lee D14/434
 D413,108 S * 8/1999 Suzuki D14/434
 D415,740 S * 10/1999 Lee D14/434
 D415,741 S * 10/1999 Lee D14/434
 D416,547 S * 11/1999 Lee D14/434
 D416,548 S * 11/1999 Sugano D14/434
 D420,651 S * 2/2000 Lee D14/434
 D421,424 S * 3/2000 Lee D14/434
 D423,473 S * 4/2000 Iwamoto D14/434
 6,072,695 A * 6/2000 Steiger G06F 1/1632
 361/679.41
 6,108,200 A * 8/2000 Fullerton G06F 1/1632
 235/145 R
 6,135,801 A * 10/2000 Helot G06F 1/1632
 439/341
 6,239,969 B1 * 5/2001 Howell G06F 1/1632
 361/679.41
 6,280,212 B1 * 8/2001 Nguyen G06F 1/1632
 439/157
 D449,304 S * 10/2001 Herath D14/433
 6,331,934 B1 * 12/2001 Helot G06F 1/1632
 361/679.41
 6,353,536 B1 * 3/2002 Nakamura G06F 1/1632
 361/679.41
 6,366,458 B1 * 4/2002 Yoshida G06F 1/1632
 361/679.41
 D504,893 S * 5/2005 Araki D14/434
 D514,576 S * 2/2006 Sung D14/434
 D532,368 S * 11/2006 Yamada D13/108
 D554,582 S * 11/2007 Iseki D13/108
 D561,186 S * 2/2008 Kawase D14/434
 7,532,466 B2 * 5/2009 Kobayashi G06F 1/1632
 361/679.41
 D605,233 S * 12/2009 Ashida D14/434
 D650,448 S * 12/2011 Zenri D21/333
 D701,509 S * 3/2014 DeGiovine D14/433

D716,817 S * 11/2014 Yang D14/447
 D750,509 S * 3/2016 Jones D10/65
 D767,487 S * 9/2016 Huang D13/107
 D776,661 S * 1/2017 Takiguchi D14/434
 D780,762 S * 3/2017 Ju D14/434
 D789,371 S * 6/2017 Iwamoto D14/433
 9,817,441 B1 * 11/2017 Kuo G06F 1/1632
 9,898,041 B2 * 2/2018 Blowers G06F 1/1632
 2002/0105783 A1 * 8/2002 Kitahara G06F 1/1632
 361/695
 2004/0120112 A1 * 6/2004 Mullen G06F 1/1632
 361/679.41
 2004/0145864 A1 * 7/2004 Usui G06F 1/1632
 361/679.41
 2004/0223293 A1 * 11/2004 Nakano G06F 1/1632
 361/679.43
 2005/0036285 A1 * 2/2005 Lee G06F 1/1632
 361/679.33
 2005/0184210 A1 * 8/2005 Ke G06F 1/1632
 248/346.01
 2006/0190653 A1 * 8/2006 Wahler G06F 1/1632
 710/303
 2006/0274495 A1 * 12/2006 Nakamura G06F 1/1632
 361/679.01
 2007/0043959 A1 * 2/2007 Gold G06F 1/1632
 713/300
 2008/0054769 A1 * 3/2008 Ling G06F 1/1632
 312/223.2
 2008/0055844 A1 * 3/2008 Kobayashi G06F 1/1632
 361/679.43
 2008/0100995 A1 * 5/2008 Ryder G06F 1/1632
 361/601
 2008/0259556 A1 * 10/2008 Tracy G06F 1/1632
 361/679.49
 2009/0213536 A1 * 8/2009 Lewandowski G06F 1/1632
 361/679.43
 2012/0155014 A1 * 6/2012 Tachibana G06F 1/1632
 361/679.41
 2013/0335915 A1 * 12/2013 Lai G06F 1/1632
 361/679.44
 2015/0288215 A1 * 10/2015 Zhang G06F 1/1632
 713/323
 2016/0149428 A1 * 5/2016 Nunami G06F 1/1632
 320/136
 2016/0218472 A1 * 7/2016 Chen G06F 1/1632
 2016/0236493 A1 * 8/2016 Lyman G06F 1/1632
 2016/0349793 A1 * 12/2016 Tsukasaki G06F 1/1632
 2017/0279293 A1 * 9/2017 Vassilieff H02J 7/025
 2018/0046216 A1 * 2/2018 Iwamoto G06F 1/1632

* cited by examiner

FIG. 1

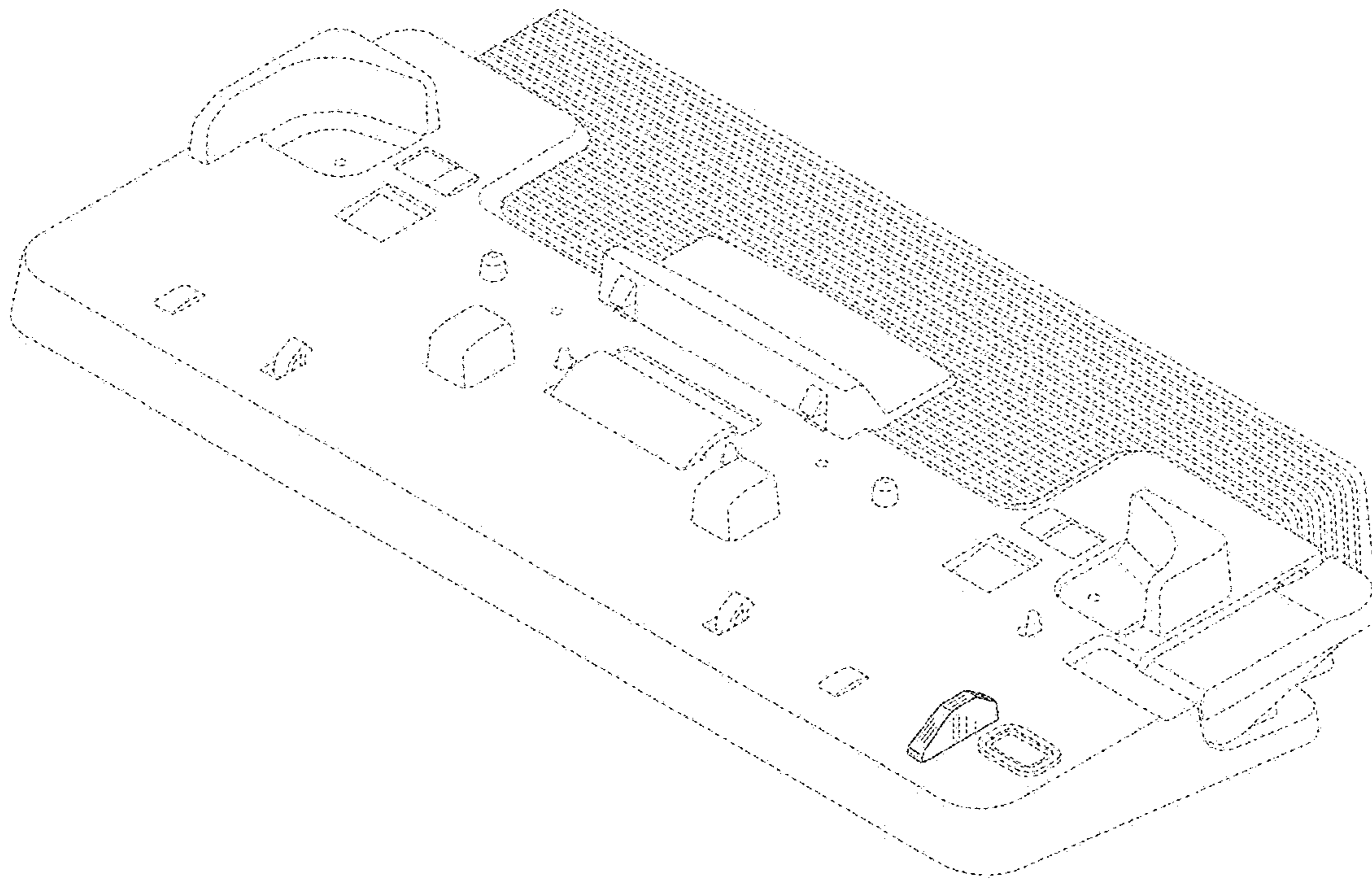


FIG. 2

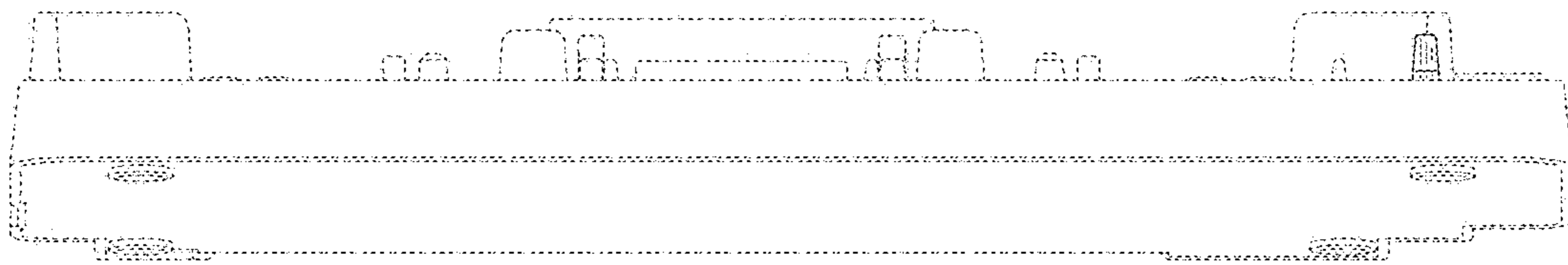


FIG. 3

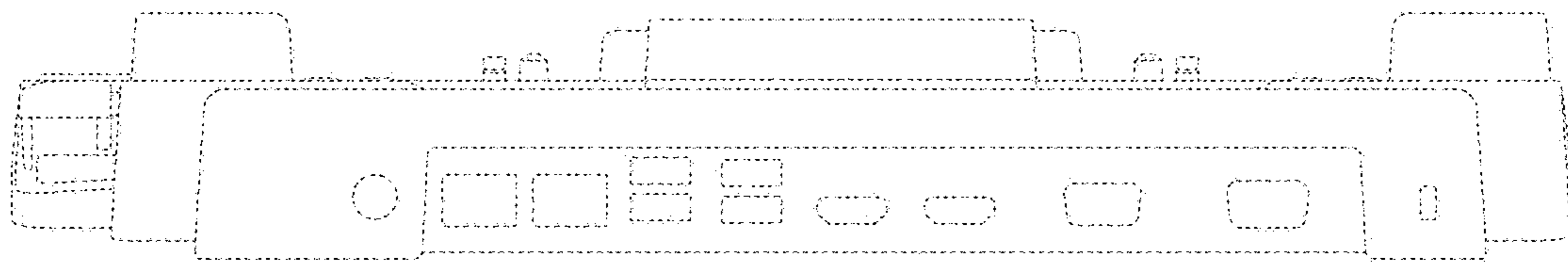


FIG. 4

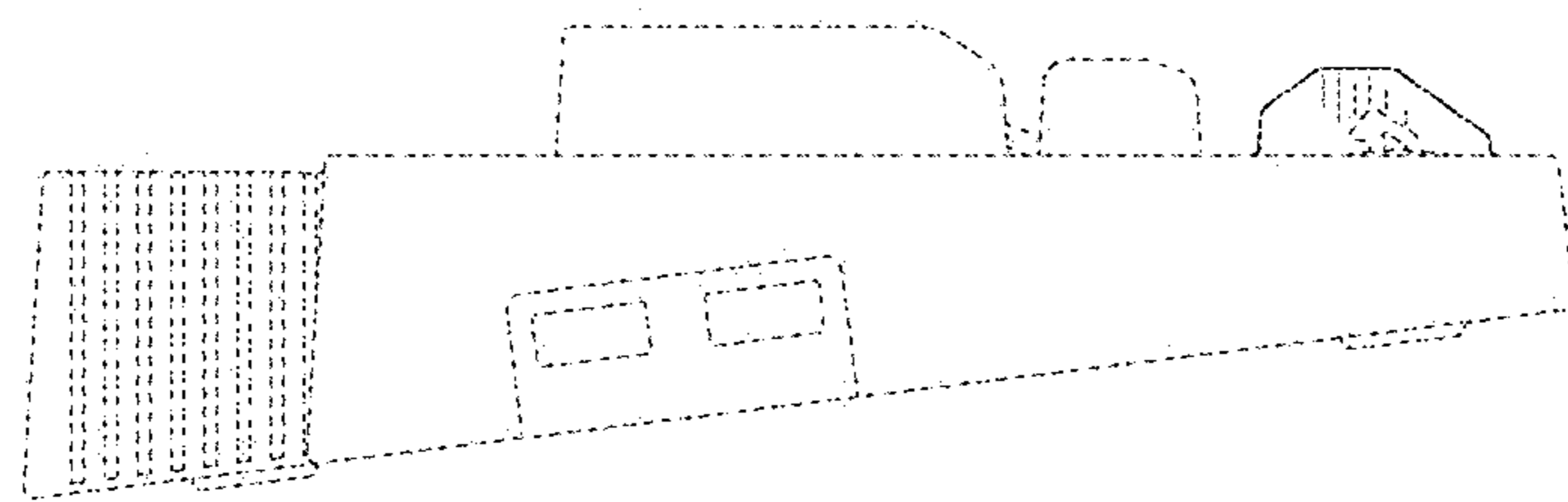


FIG. 5

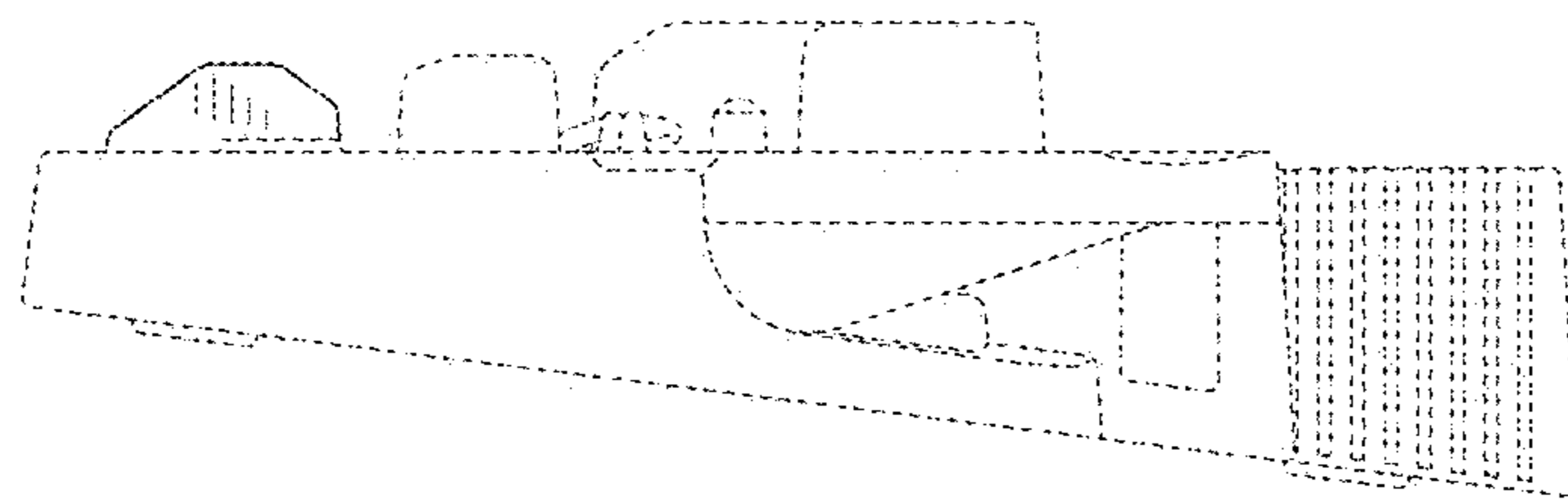


FIG. 6

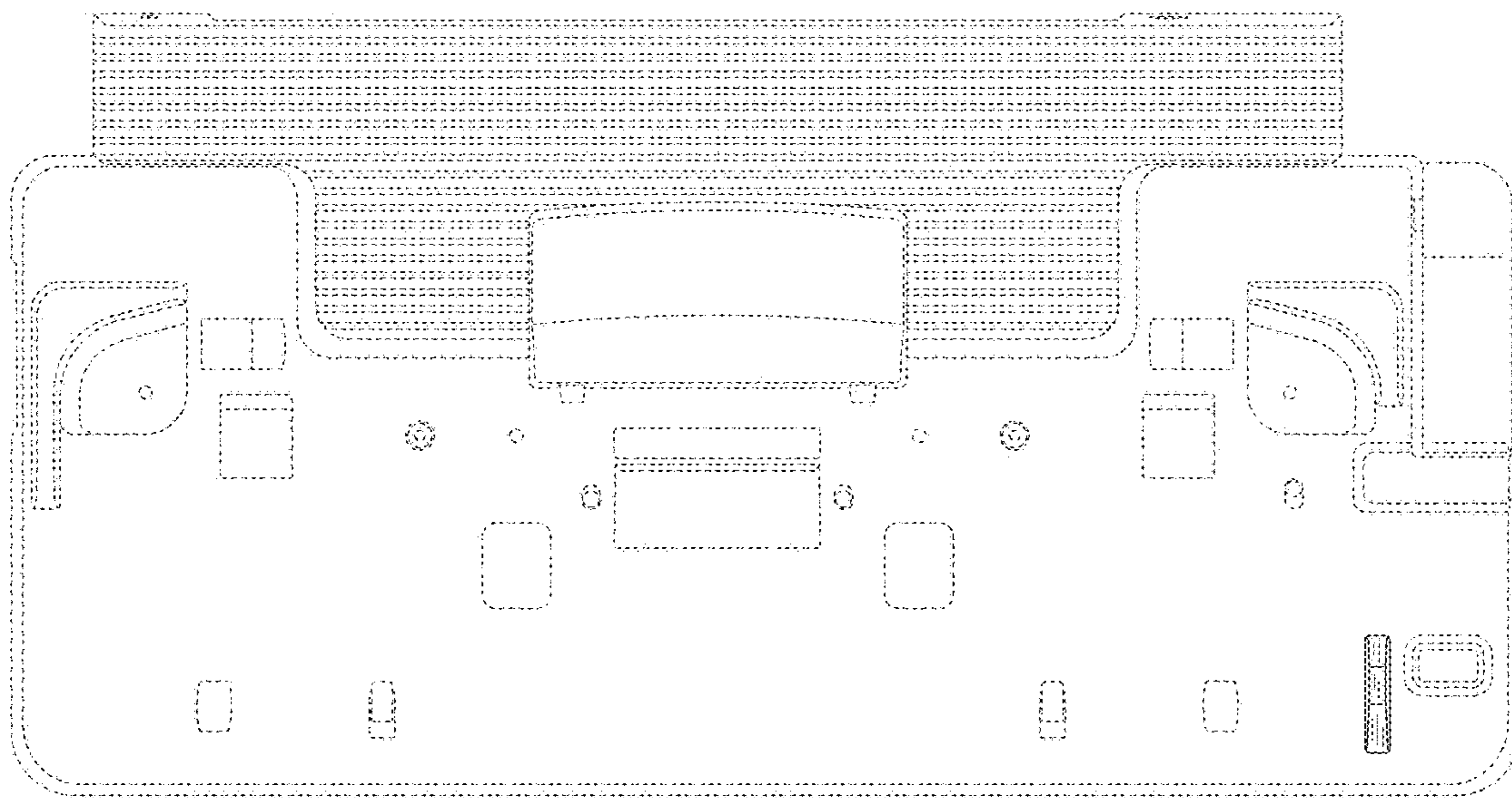


FIG. 7



FIG. 8

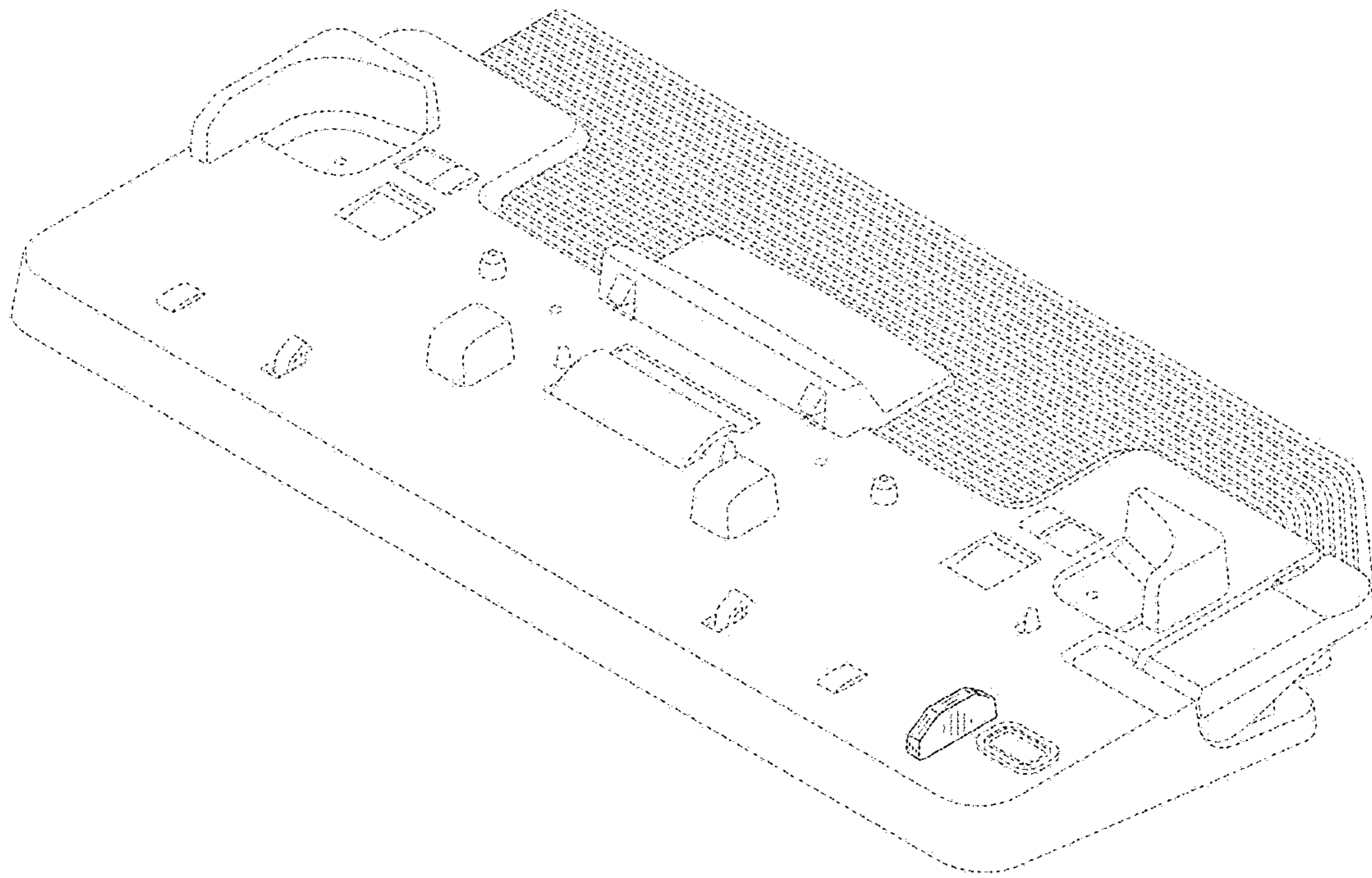


FIG. 9

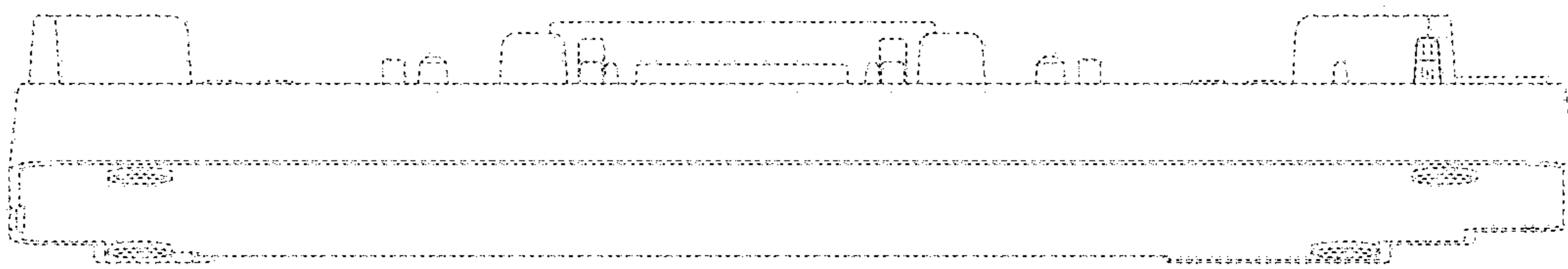


FIG. 10

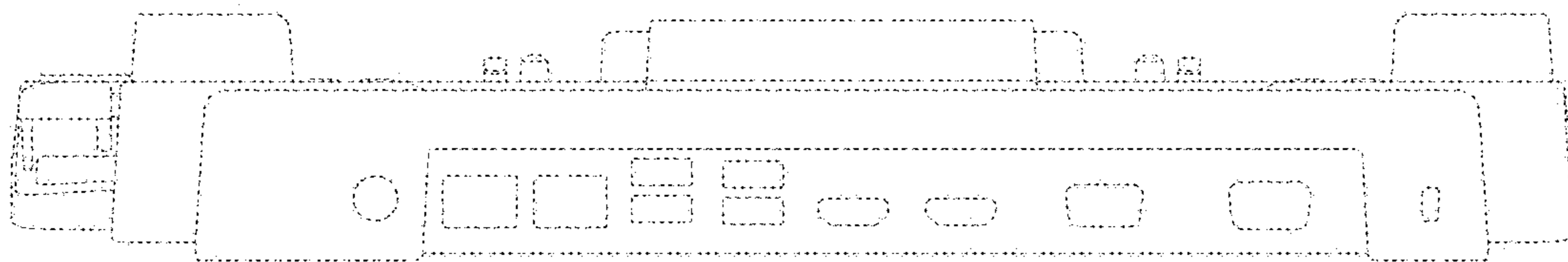


FIG. 11

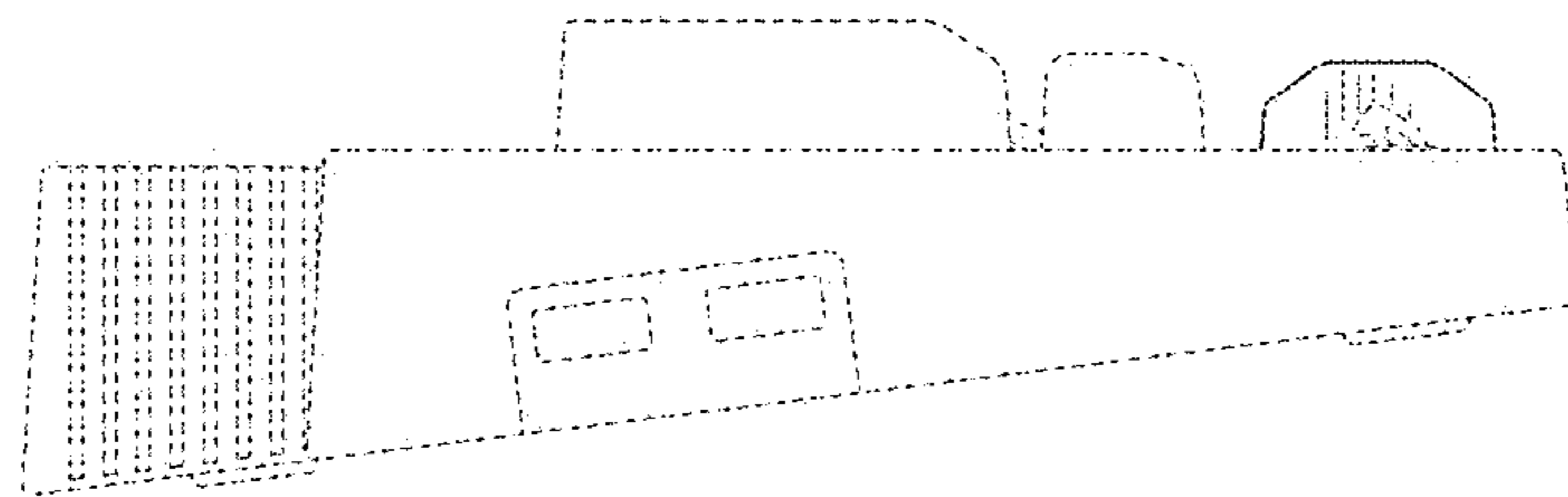


FIG. 12

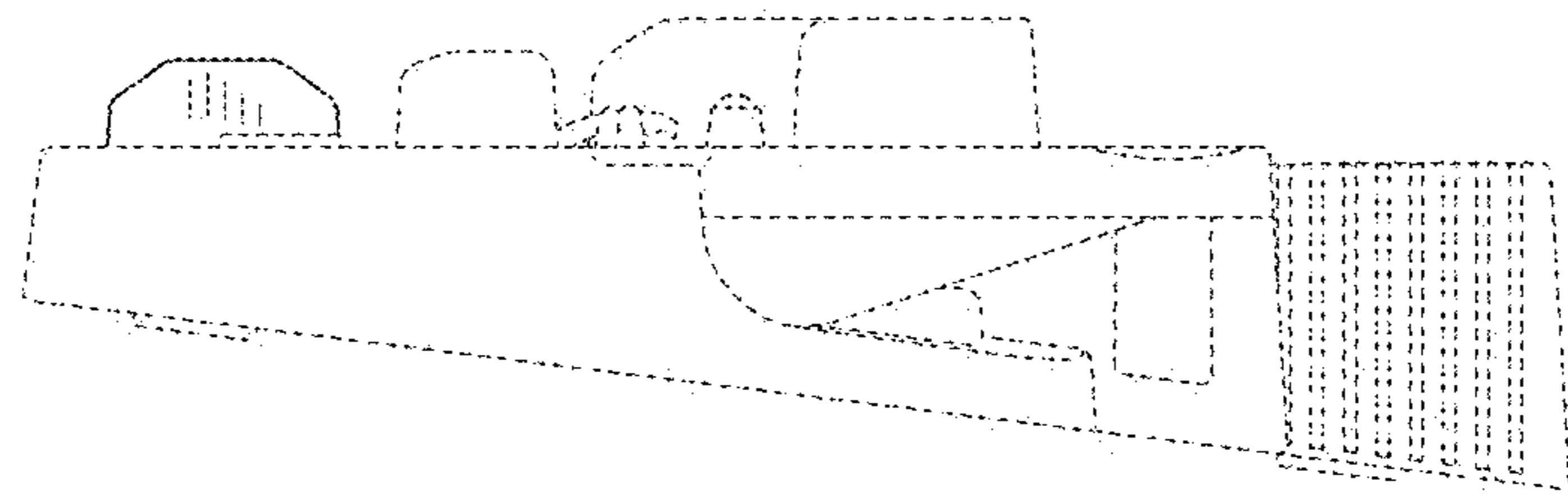


FIG. 13

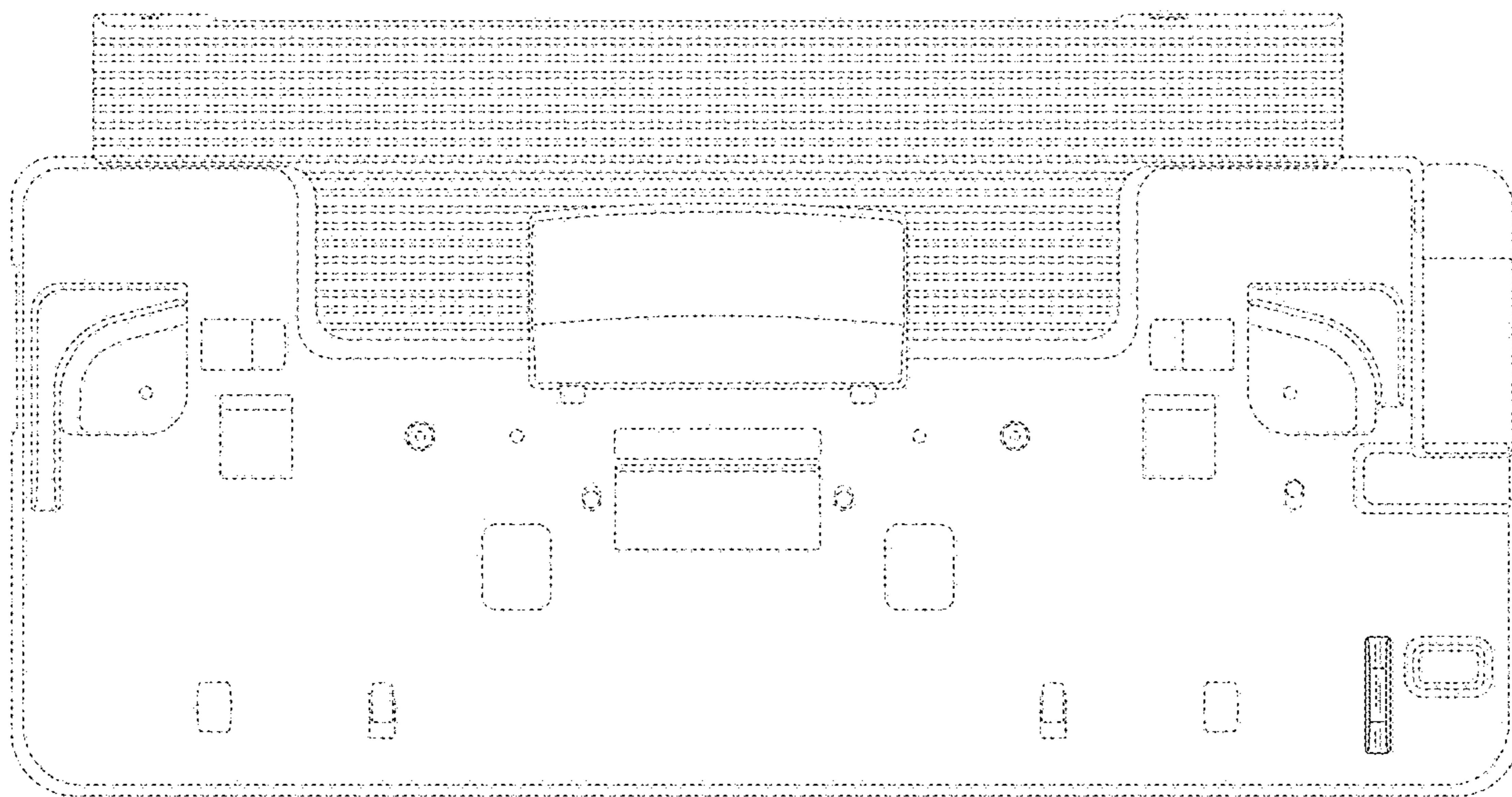


FIG. 14

