



US00D826942S

(12) **United States Design Patent**  
**Lu**

(10) **Patent No.:** **US D826,942 S**  
(45) **Date of Patent:** **\*\* Aug. 28, 2018**

(54) **USB HUB**  
(71) Applicant: **Hongbing Lu**, Shangrao (CN)  
(72) Inventor: **Hongbing Lu**, Shangrao (CN)  
(73) Assignee: **Shenzhen Gomass Electronic Technology Co., LTD.**, Shenzhen (CN)  
(\*\*) Term: **15 Years**

D560,165 S \* 1/2008 Matityahu ..... D13/133  
D670,291 S \* 11/2012 Dalton ..... B25C 7/00  
D693,768 S \* 11/2013 Alesi ..... D14/433  
D709,892 S \* 7/2014 Lui ..... D13/110  
D740,291 S \* 10/2015 Turksu ..... D14/433  
D788,112 S \* 5/2017 Liao ..... D14/433  
D793,397 S \* 8/2017 Eliyahu ..... D14/433  
D794,028 S \* 8/2017 Lin ..... D14/433  
D800,730 S \* 10/2017 Liao ..... D14/433  
D803,833 S \* 11/2017 He ..... D14/385  
D813,875 S \* 3/2018 Liao ..... D14/434

(21) Appl. No.: **29/613,918**  
(22) Filed: **Aug. 15, 2017**  
(51) **LOC (11) Cl.** ..... **14-02**  
(52) **U.S. Cl.**  
USPC ..... **D14/433**  
(58) **Field of Classification Search**  
USPC ..... D18/4.4, 4.5, 4.6, 12, 12.1, 12.3;  
D14/383, 384, 385, 386, 378  
CPC ..... G06K 19/07749; G06K 19/0723; G06K  
19/041; G06K 19/07758; G06K 19/0775;  
G06K 19/07783; G06K 19/07794; G06K  
19/06046; G06K 19/07722; G06K  
19/07773; G06K 19/07779; G06K  
19/07784; G06K 19/07786; G06K  
19/0709  
See application file for complete search history.

\* cited by examiner

*Primary Examiner* — Austin Murphy

(57) **CLAIM**

The ornamental design for a USB hub, as shown.

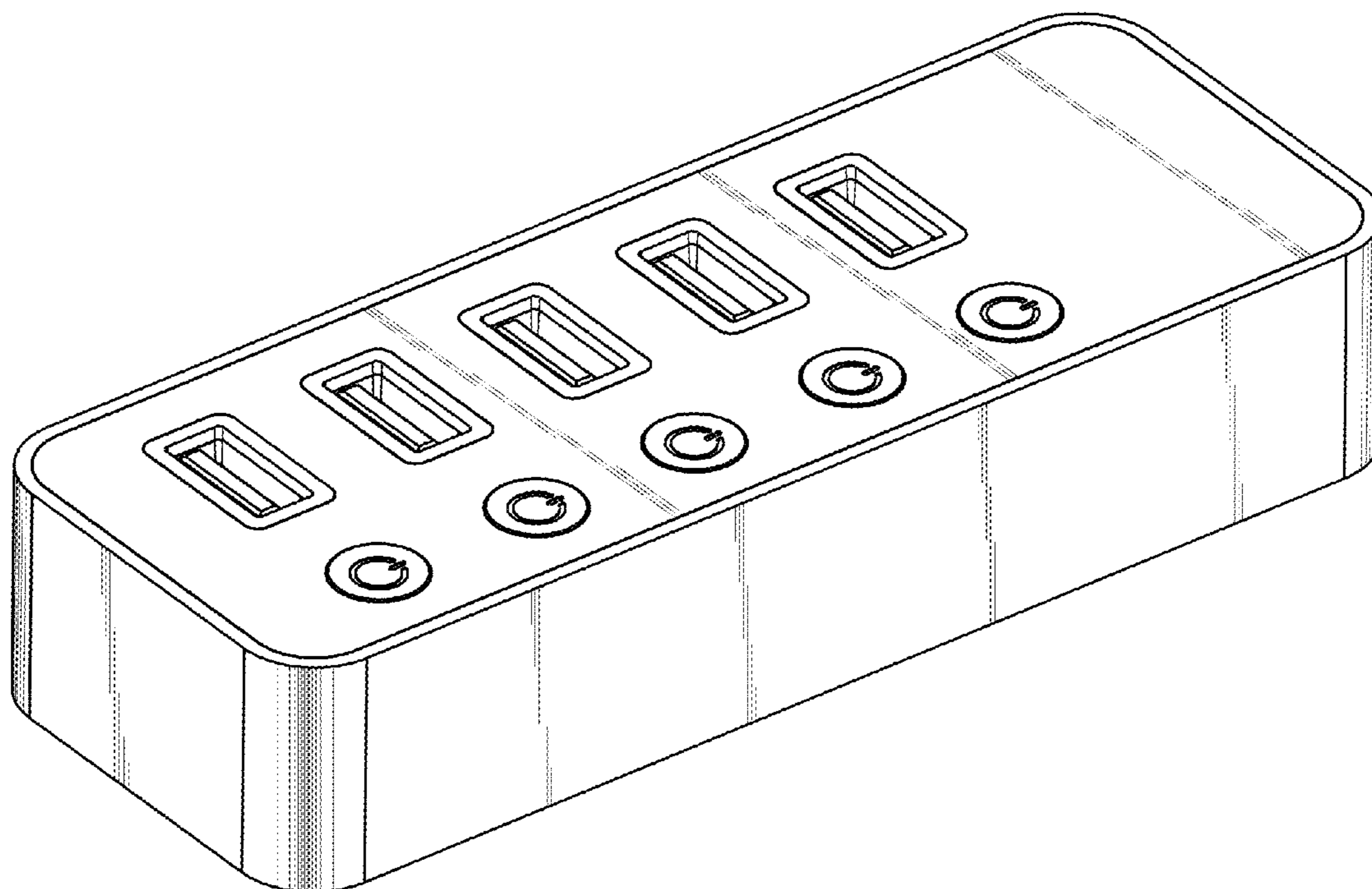
**DESCRIPTION**

FIG. 1 is a front elevational view of a USB hub showing my new design;  
FIG. 2 is a rear elevational view thereof;  
FIG. 3 is a left side elevational view thereof;  
FIG. 4 is a right side elevational view thereof;  
FIG. 5 is a top plan view thereof;  
FIG. 6 is a bottom plan view thereof; and,  
FIG. 7 is a perspective view thereof.

(56) **References Cited**  
U.S. PATENT DOCUMENTS

D559,848 S \* 1/2008 Siu ..... D14/433  
D559,849 S \* 1/2008 Siu ..... D14/433

**1 Claim, 7 Drawing Sheets**



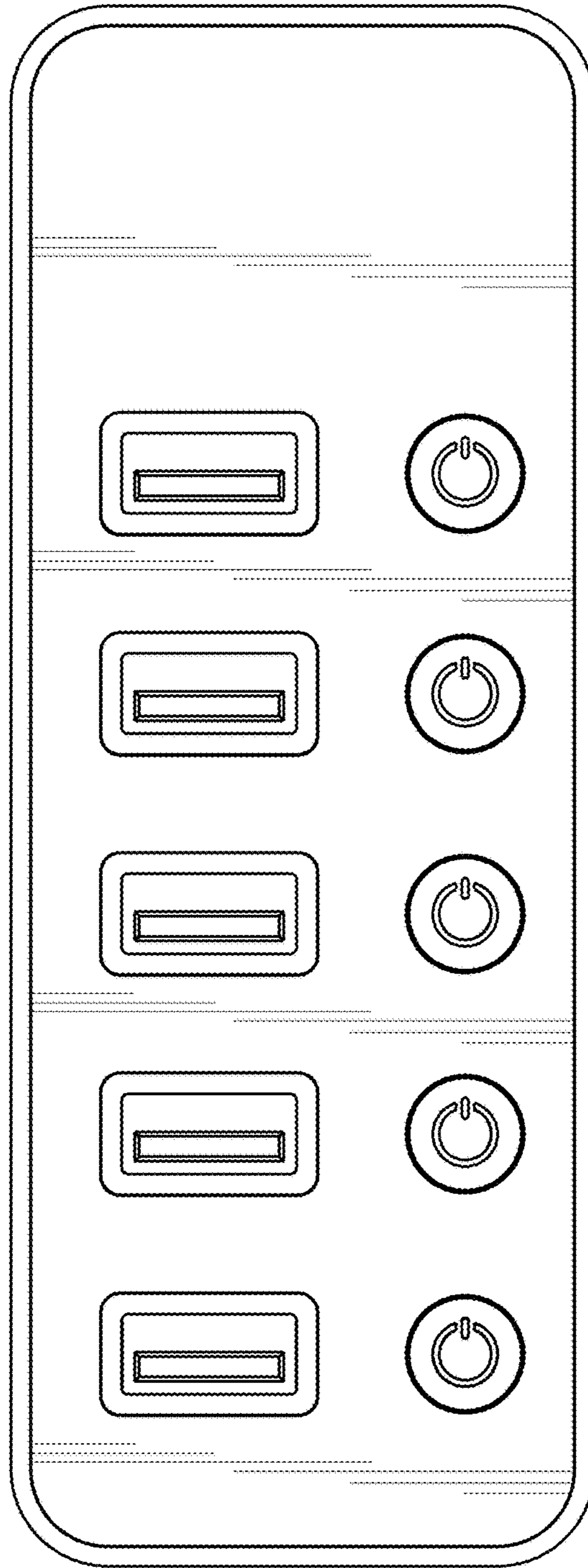


FIG.1

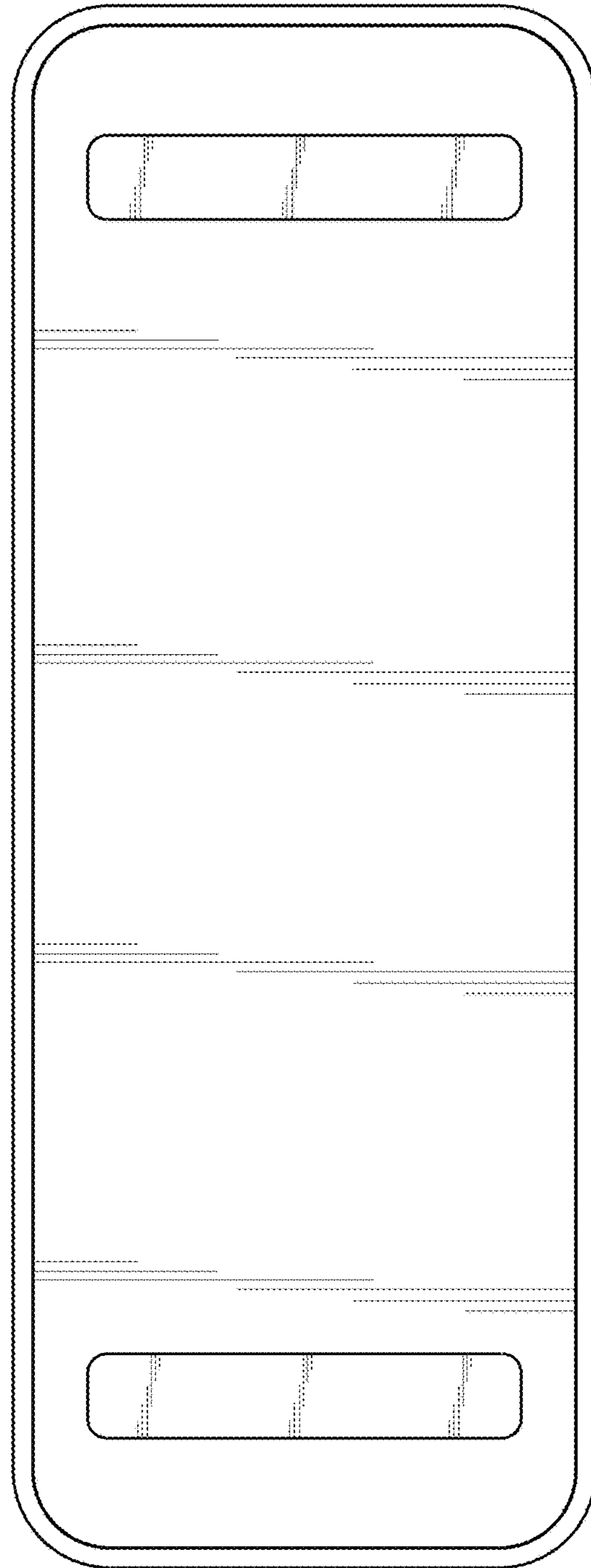


FIG.2

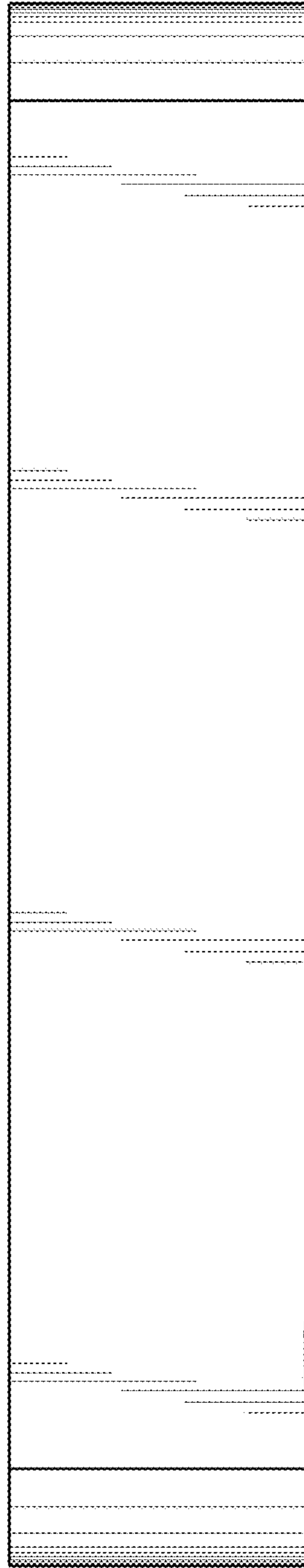


FIG.3

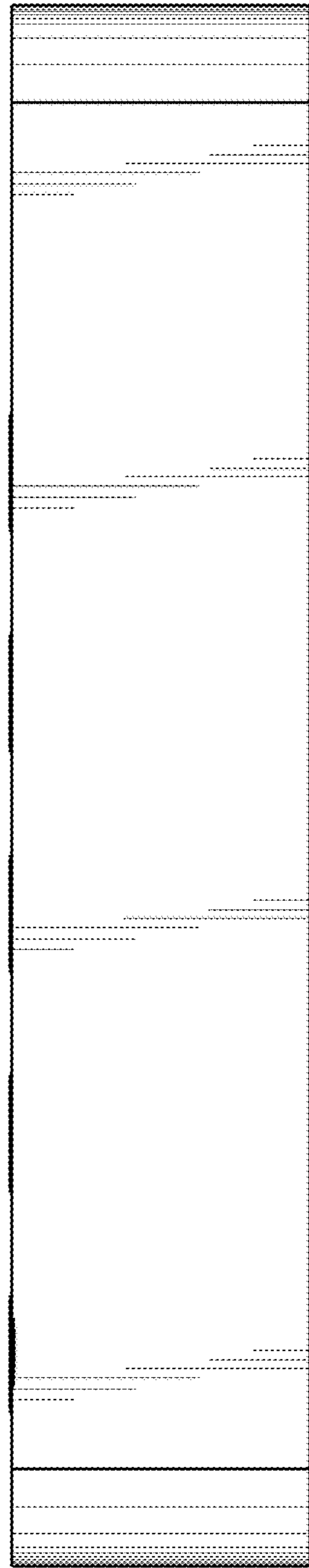


FIG.4

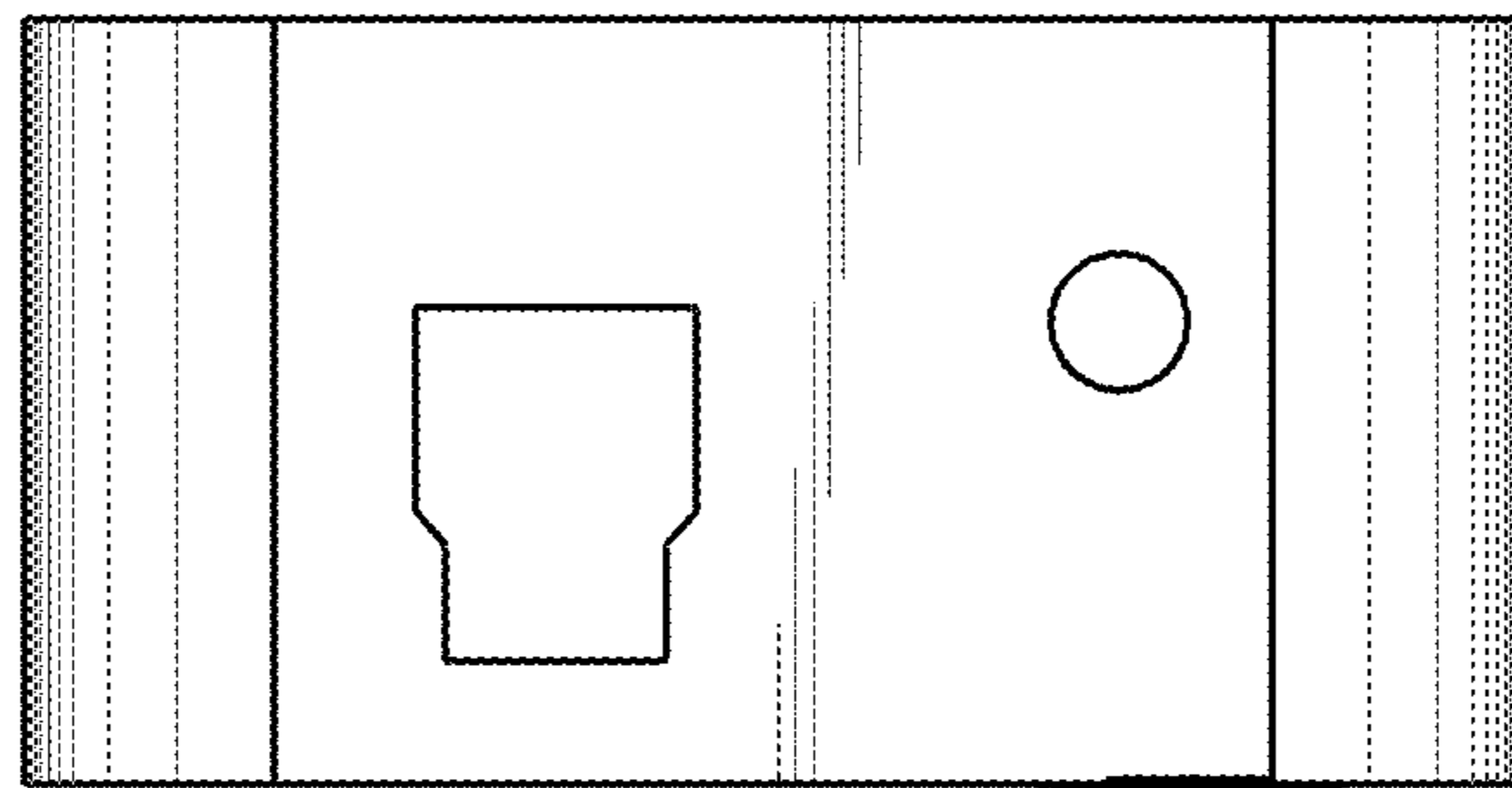


FIG.5

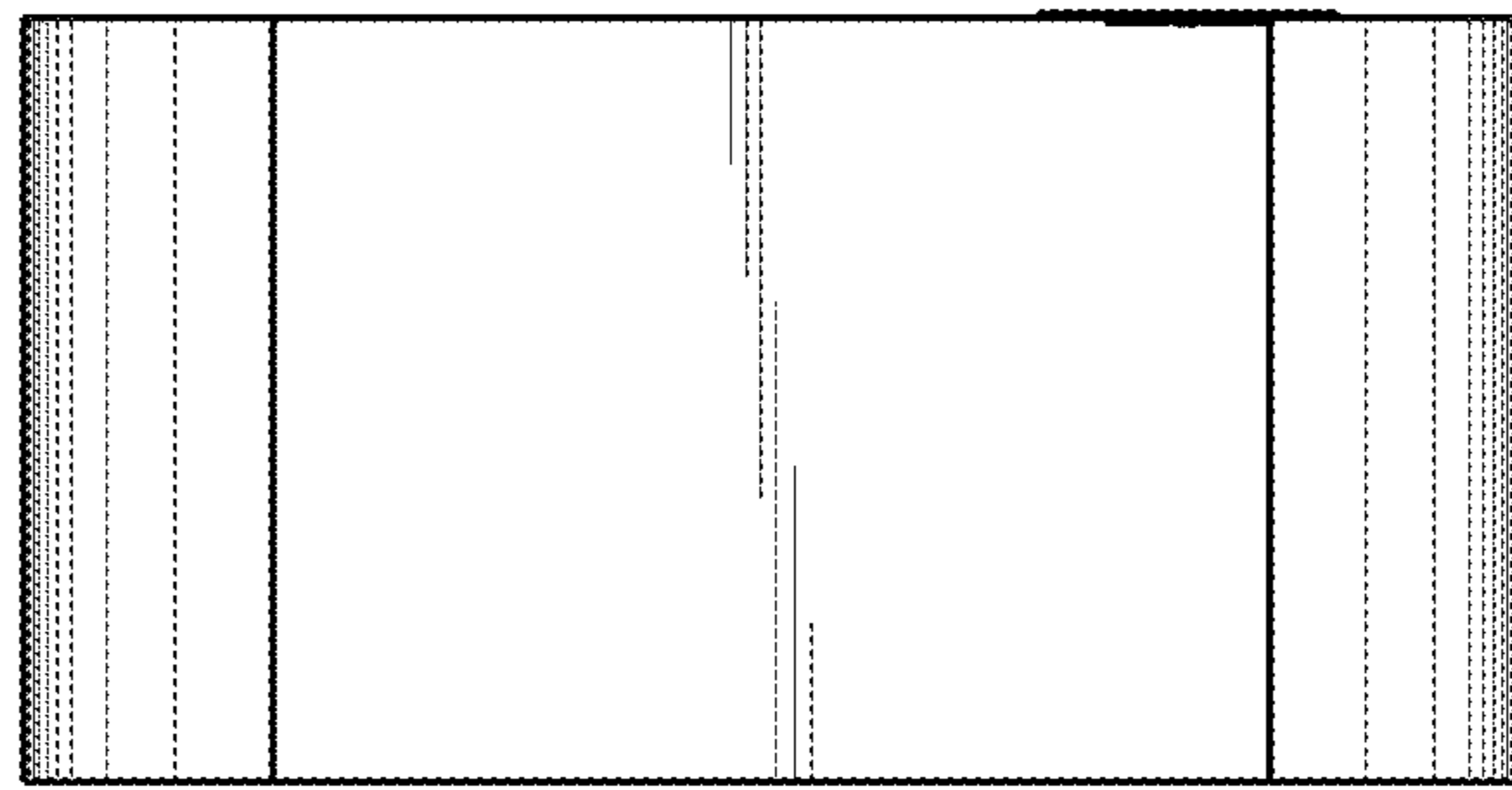


FIG.6

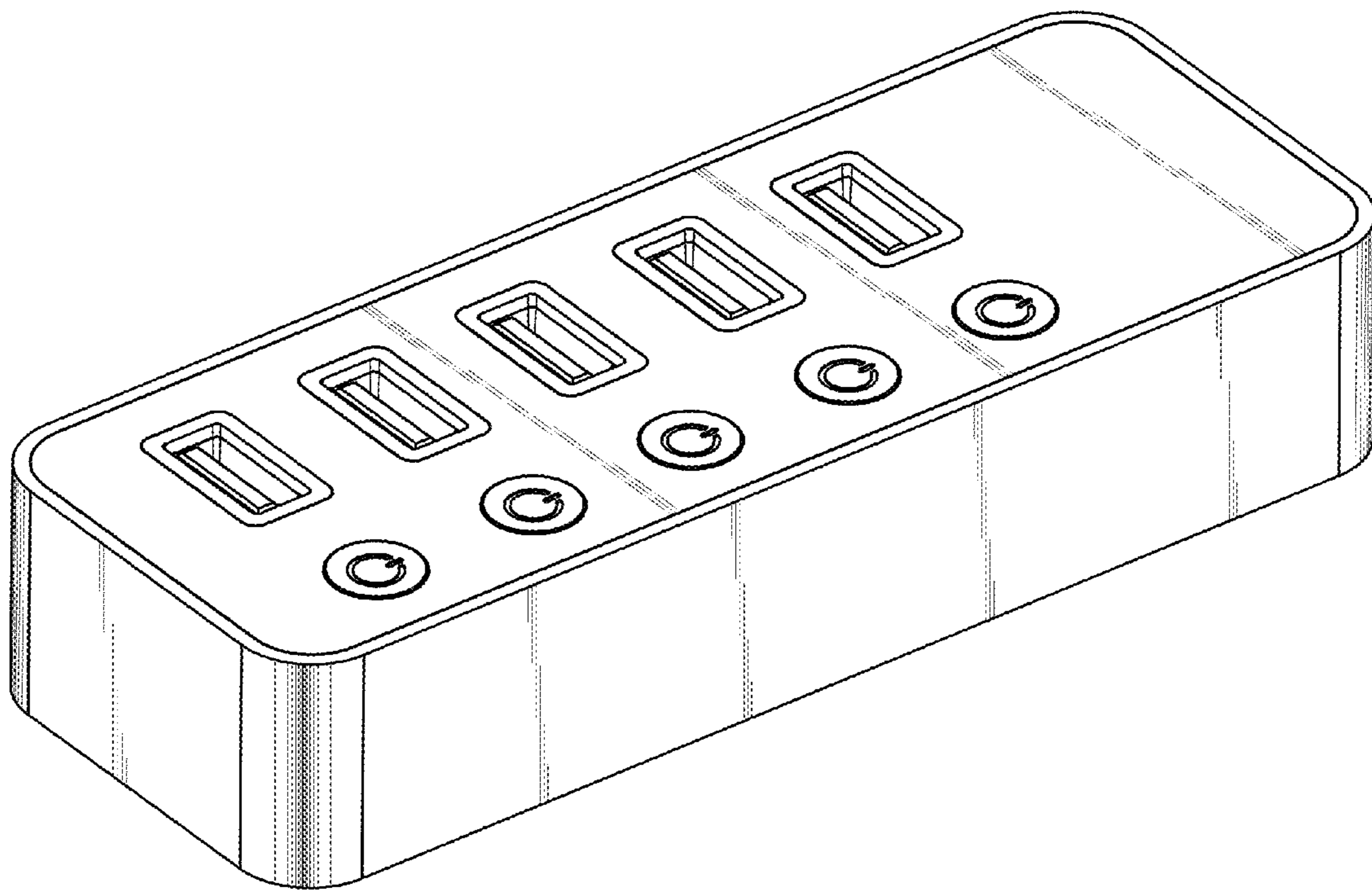


FIG.7