



US00D826940S

(12) **United States Design Patent**
Nishizawa

(10) **Patent No.:** **US D826,940 S**

(45) **Date of Patent:** **** Aug. 28, 2018**

(54) **COORDINATE INPUT INSTRUMENT**

D799,488 S * 10/2017 Nishizawa D14/411
D811,401 S * 2/2018 Lehman D14/411
D812,057 S * 3/2018 Lehman D14/411

(71) Applicant: **Wacom Co., Ltd.**, Kazo-shi, Saitama (JP)

(Continued)

(72) Inventor: **Naoya Nishizawa**, Setagaya-ku (JP)

FOREIGN PATENT DOCUMENTS

(73) Assignee: **Wacom Co., Ltd.**, Kazo-shi (JP)

JP D1553034 S 7/2016

(**) Term: **15 Years**

OTHER PUBLICATIONS

(21) Appl. No.: **29/617,593**

“ASUS Pen,” ASUS Shop, SKU 90NB0000-P00120, <<https://shop.asus.co.jp/item/ASUS%20Pen/>> [retrieved Oct. 30, 2017], 1 page.

(22) Filed: **Sep. 14, 2017**

Primary Examiner — Austin Murphy

(30) **Foreign Application Priority Data**

(74) *Attorney, Agent, or Firm* — Christensen O'Connor Johnson Kindness PLLC

Mar. 15, 2017 (JP) 2017-005227

(51) **LOC (11) Cl.** **14-02**

(52) **U.S. Cl.**
USPC **D14/411**

(58) **Field of Classification Search**

USPC D14/372, 496, 432, 371, 125, 126, 129,
D14/299, 411; D16/300–342; 351/158,
351/153, 144; 345/7–9, 905; 455/344;
348/115, 53, 121, 739

CPC G02B 27/017; G06F 3/016; G06F 3/033;
G06F 3/0317; G06F 3/03545; G06F
3/041; G06K 9/222

See application file for complete search history.

(57) **CLAIM**

The ornamental design for a coordinate input instrument, as shown and described.

DESCRIPTION

FIG. 1 is a front bottom right perspective view of a coordinate input instrument according to a representative embodiment of my new design;

FIG. 2 is a rear top left perspective view thereof;

FIG. 3 is a front view thereof;

FIG. 4 is a right side view thereof, wherein the left side view is a mirror image of the right side view;

FIG. 5 is a rear view thereof;

FIG. 6 is a top view thereof;

FIG. 7 is a bottom view thereof; and,

FIG. 8 is an enlarged view of a portion of the coordinate input instrument shown in FIG. 1.

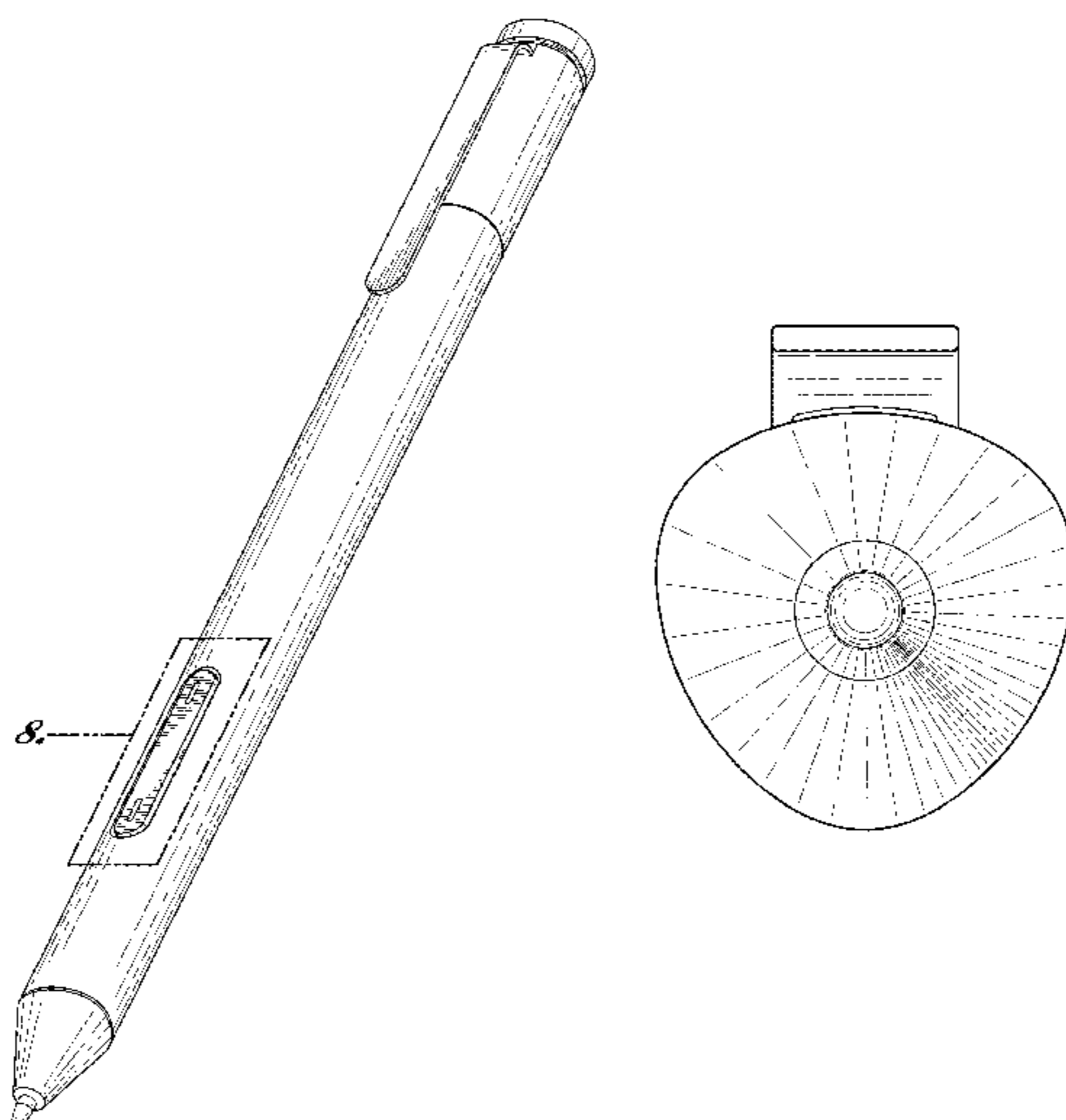
The dashed broken lines in the drawings show portions of the coordinate input instrument that form no part of the claimed design. The dot-dot-dash broken lines in the drawings indicate from where the enlarged views are taken and form no part of the claimed design.

1 Claim, 5 Drawing Sheets

(56) **References Cited**

U.S. PATENT DOCUMENTS

D333,133 S * 2/1993 Hirota D14/411
D669,897 S * 10/2012 Nakata D14/411
D705,780 S 5/2014 Nishizawa
D768,133 S * 10/2016 Reed D14/411
D777,726 S * 1/2017 Nishizawa D14/411
D781,293 S * 3/2017 Mitchell D14/411
D783,022 S * 4/2017 Sirota D14/411
D784,991 S * 4/2017 Chang D14/411
D797,741 S * 9/2017 Cebe D14/411
D799,487 S * 10/2017 Nishizawa D14/411



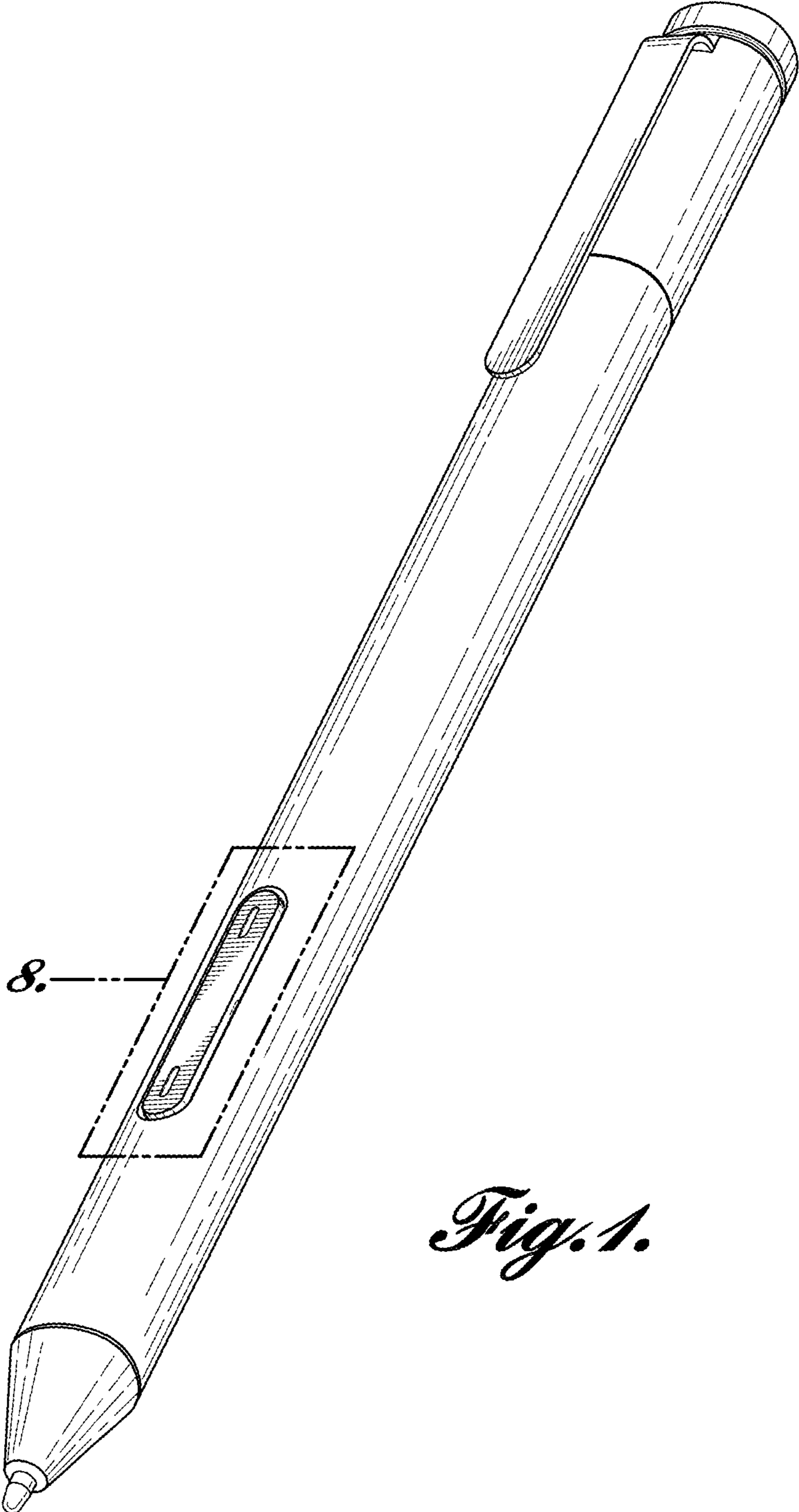
(56)

References Cited

U.S. PATENT DOCUMENTS

D812,058 S *	3/2018	Lehman	D14/411
D812,059 S *	3/2018	Lehman	D14/411
D813,237 S *	3/2018	Lee	D14/411
D813,238 S *	3/2018	Lee	D14/411

* cited by examiner



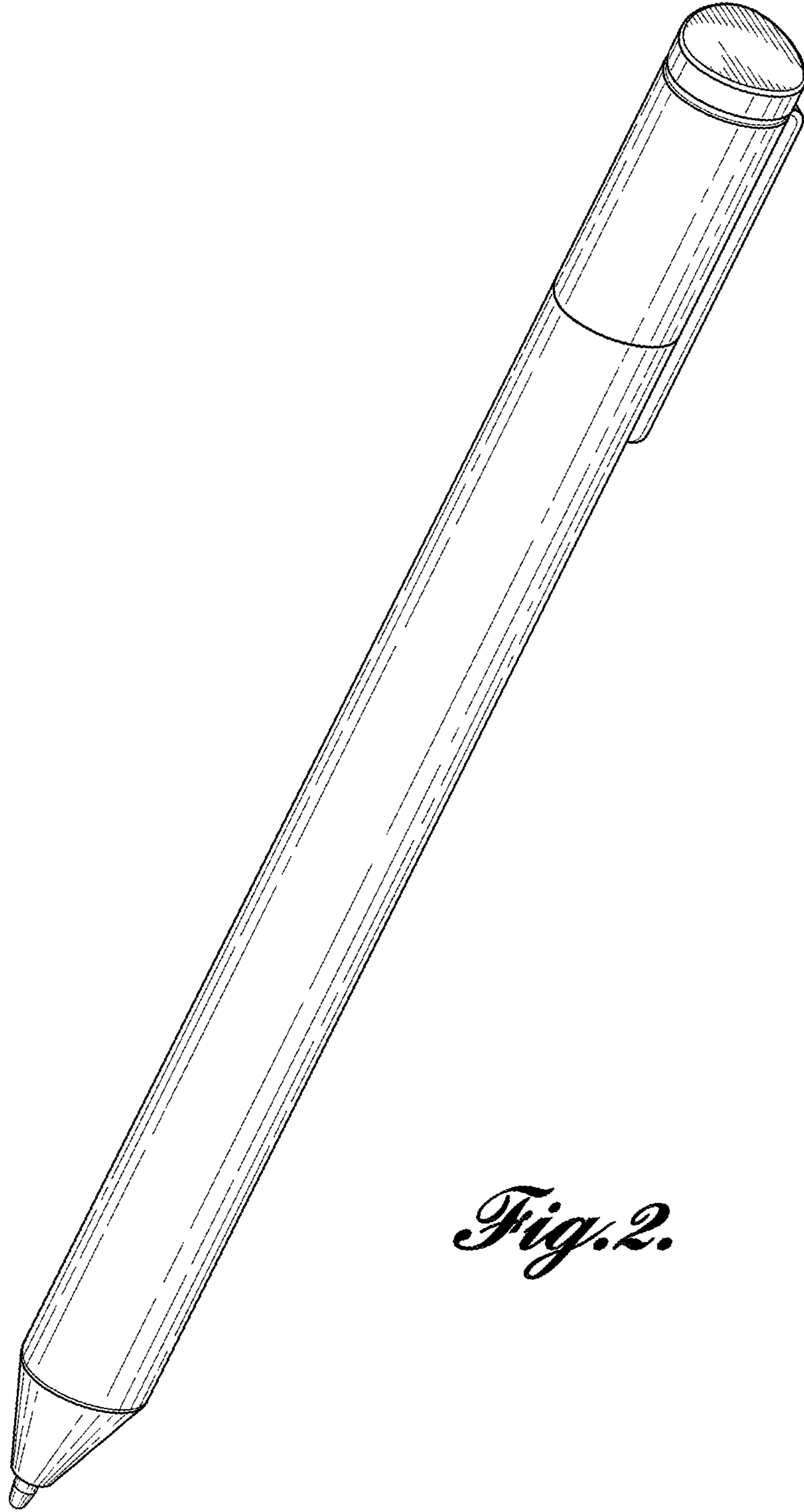


Fig. 2.

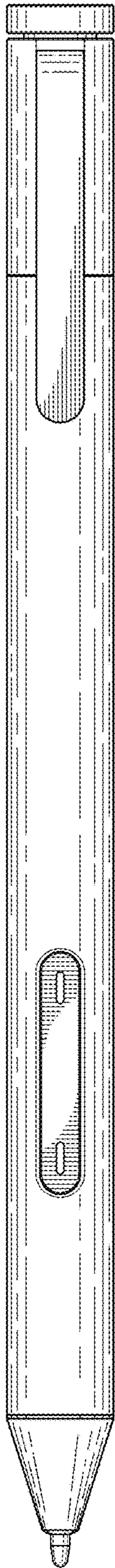


Fig. 3.

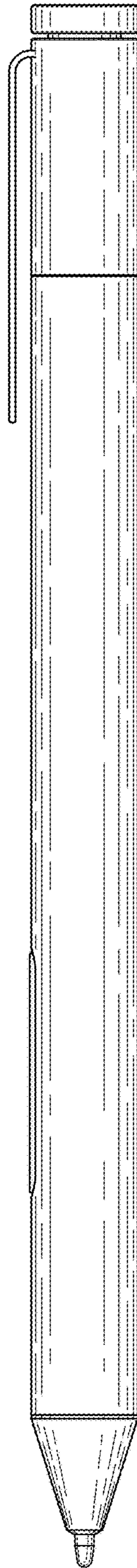


Fig. 4.

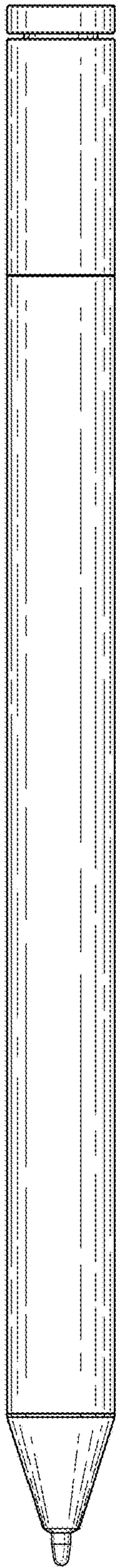


Fig. 5.

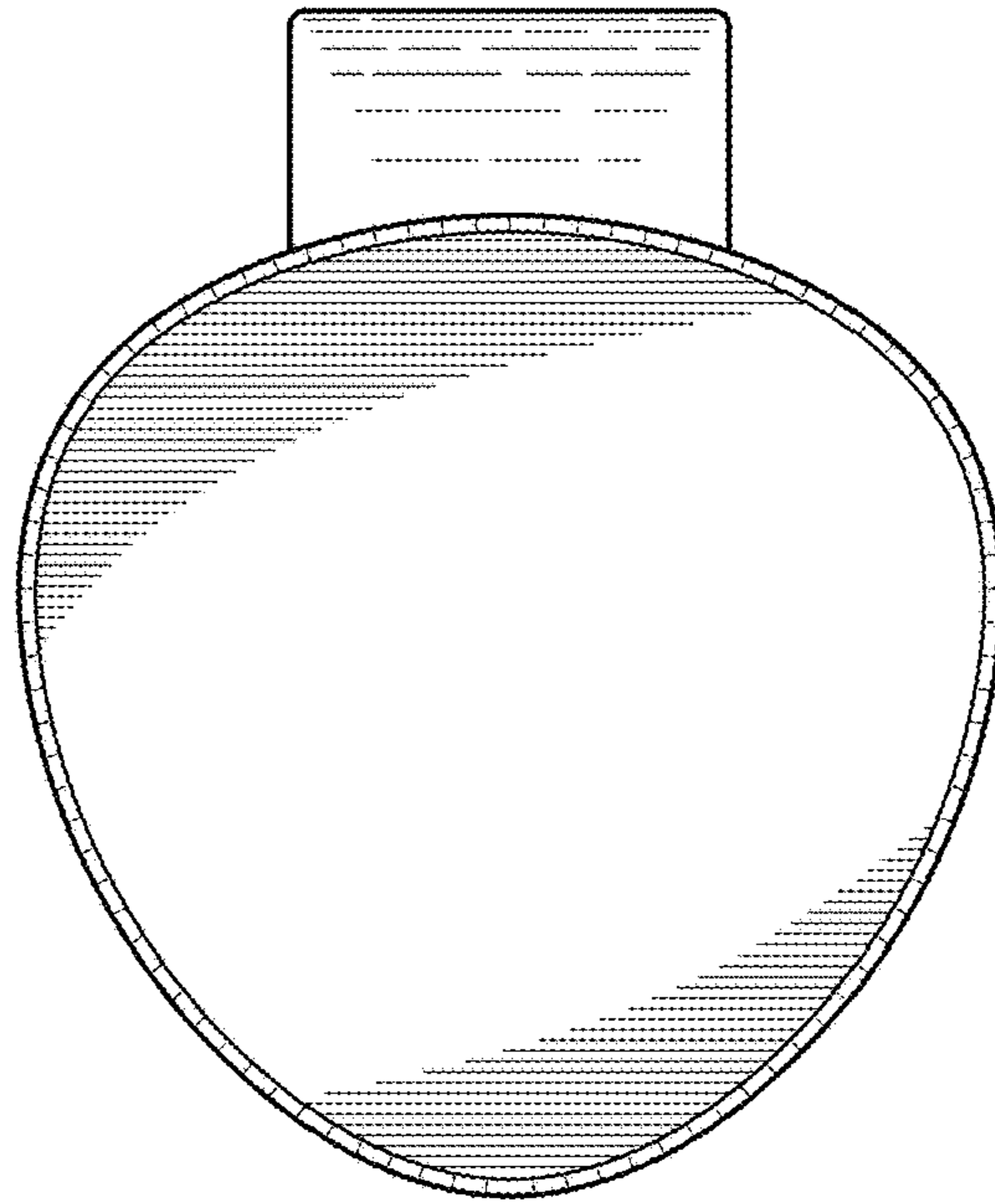


Fig. 6.

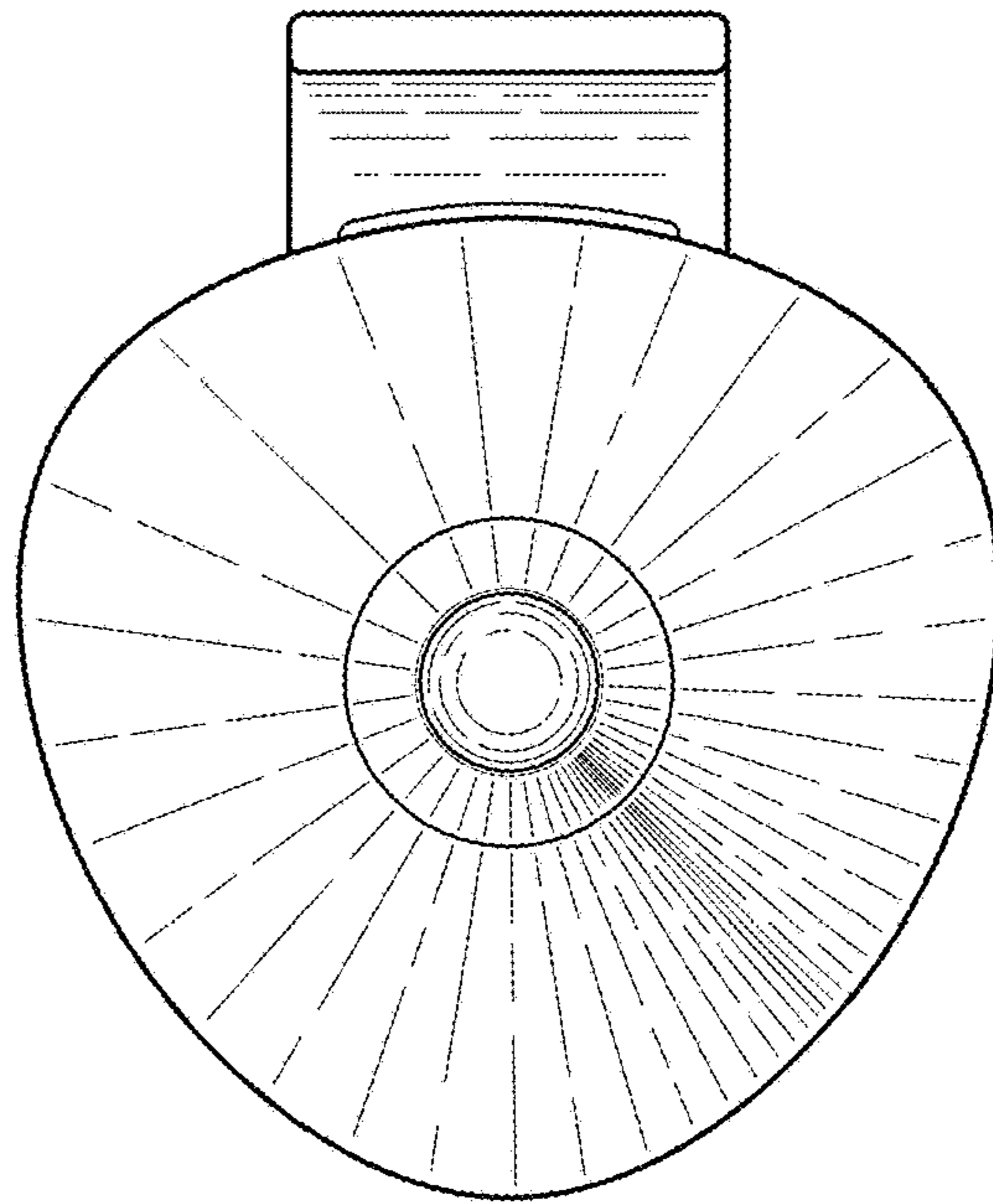


Fig. 7.

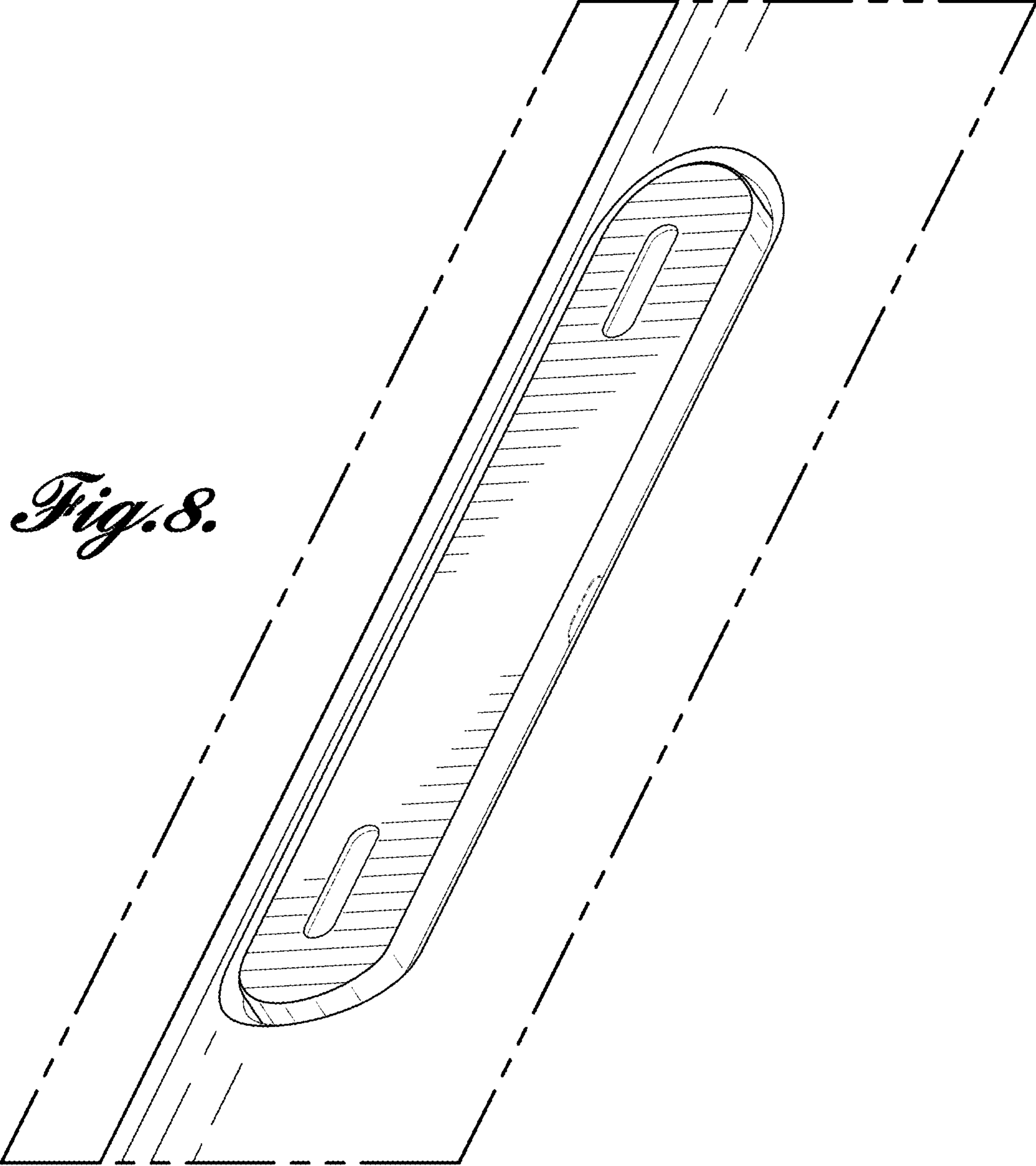


Fig. 8.