



US00D826939S

(12) **United States Design Patent**
Chong

(10) **Patent No.:** **US D826,939 S**

(45) **Date of Patent:** **** Aug. 28, 2018**

(54) **MOUSE**

(71) Applicant: **RAZER (ASIA-PACIFIC) PTE. LTD.**,
Singapore (SG)

(72) Inventor: **Boon Sim Chong**, Singapore (SG)

(73) Assignee: **RAZER (ASIA-PACIFIC) PTE. LTD.**,
Singapore (SG)

(**) Term: **15 Years**

(21) Appl. No.: **29/608,239**

(22) Filed: **Jun. 20, 2017**

(51) **LOC (11) Cl.** **04-02**

(52) **U.S. Cl.**
USPC **D14/402**

(58) **Field of Classification Search**
USPC D14/402-411, 356, 388, 389, 383-385,
D14/417, 426; 345/156-167; 463/36-38;
358/471, 473; 273/148 B
CPC G06F 3/03543; G06F 2203/0333; G06F
3/039; G06F 3/038; G06F 2203/0384
See application file for complete search history.

(56) **References Cited**

U.S. PATENT DOCUMENTS

D590,398 S	*	4/2009	Kim	D14/402
D654,918 S	*	2/2012	Cheng	D14/402
D663,730 S	*	7/2012	Kim	D14/402
D680,113 S	*	4/2013	Li	D14/409

D688,663 S	*	8/2013	Widiaman	D14/402
D709,883 S	*	7/2014	Moon	D14/402
D725,111 S	*	3/2015	Jeong	D14/408
D762,646 S	*	8/2016	Chong	D14/409
D768,633 S	*	10/2016	Helwig	D14/402
D782,480 S	*	3/2017	Nalbandian	D14/408
D792,882 S	*	7/2017	Helwig	D14/402
D793,393 S	*	8/2017	Jeong	D14/402
D813,869 S	*	3/2018	Hu	D14/402

* cited by examiner

Primary Examiner — Austin Murphy

(74) *Attorney, Agent, or Firm* — Polsinelli PC

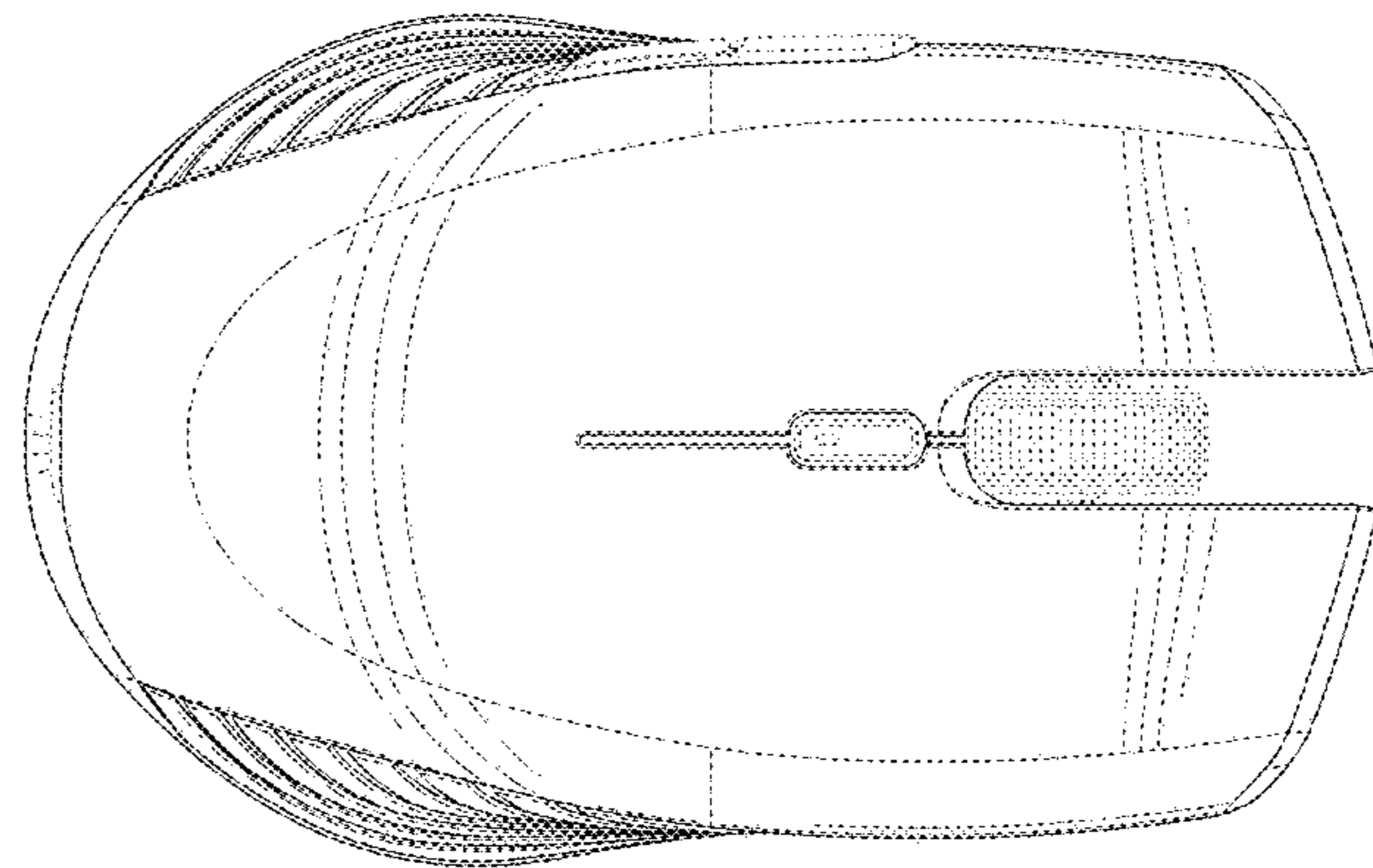
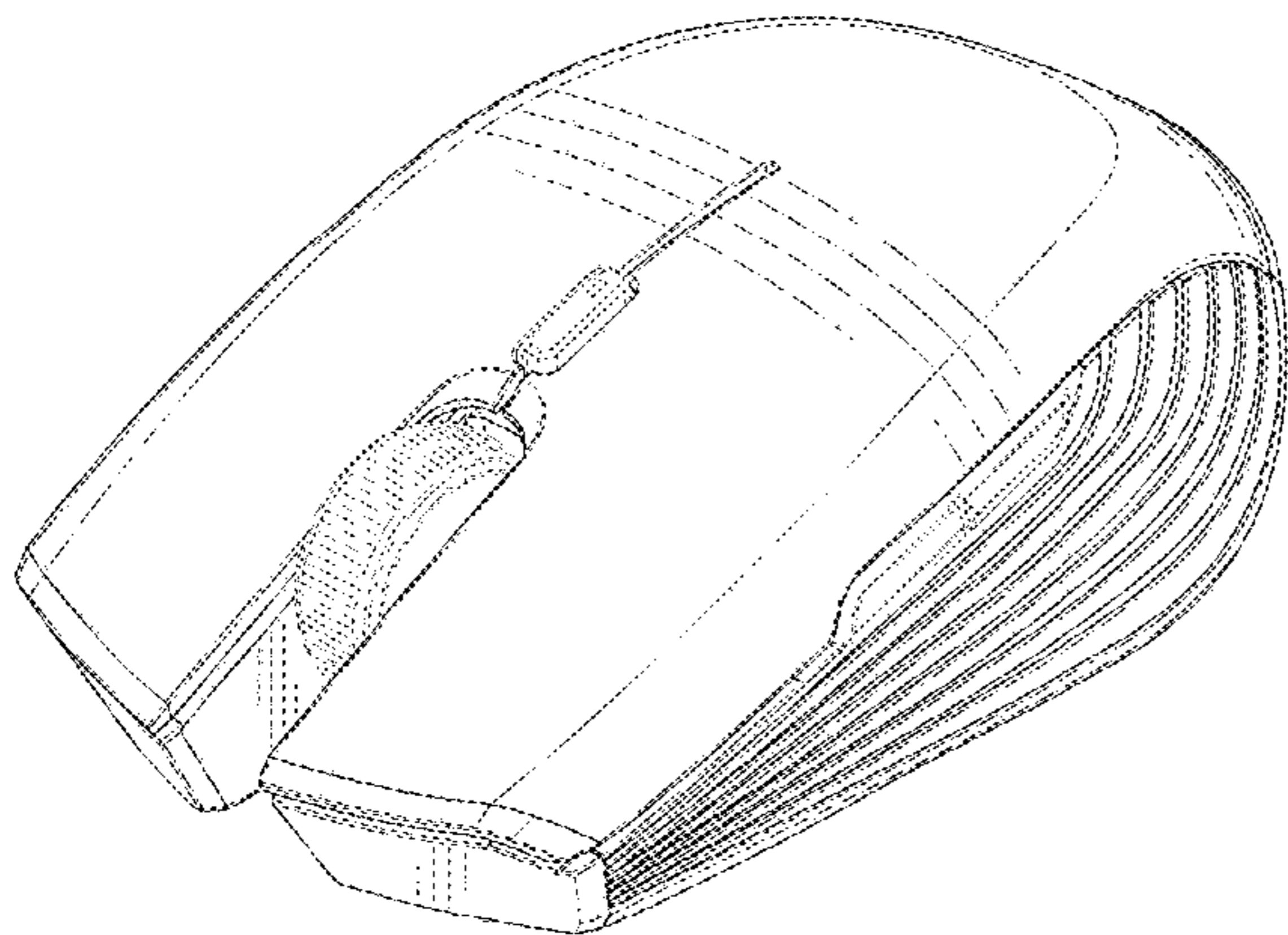
(57) **CLAIM**

I claim the ornamental design for a mouse, as shown and described.

DESCRIPTION

FIG. 1 is a perspective view of an embodiment of a mouse, showing my new design;
FIG. 2 is a front elevational view thereof;
FIG. 3 is a rear elevational view thereof;
FIG. 4 is a left side elevational view thereof;
FIG. 5 is a right side elevational view thereof;
FIG. 6 is a top plan view thereof; and,
FIG. 7 is a bottom plan view thereof.
Broken lines are for illustrating portions of the mouse which form no part of the claimed design.

1 Claim, 7 Drawing Sheets



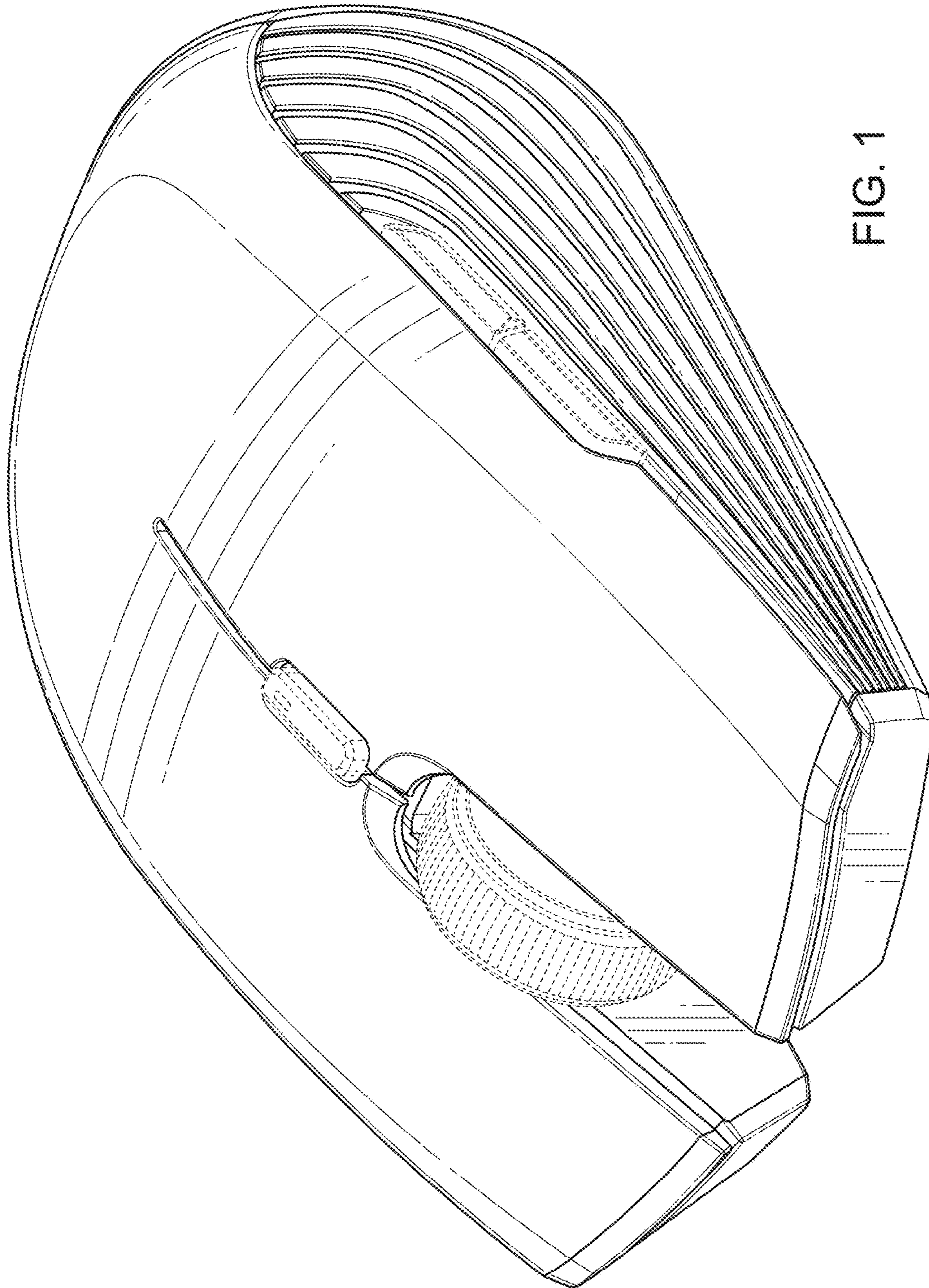


FIG. 1

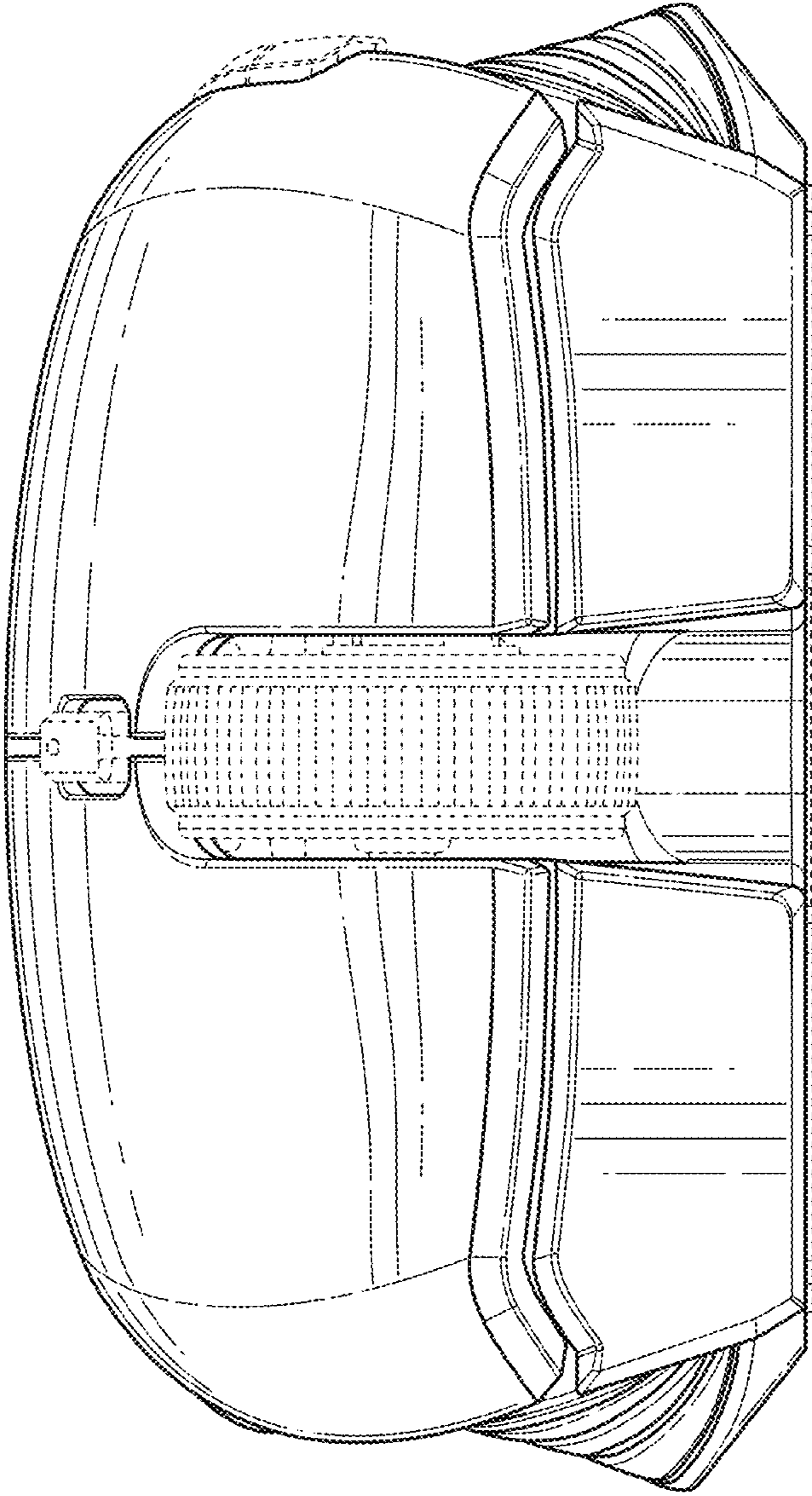


FIG. 2

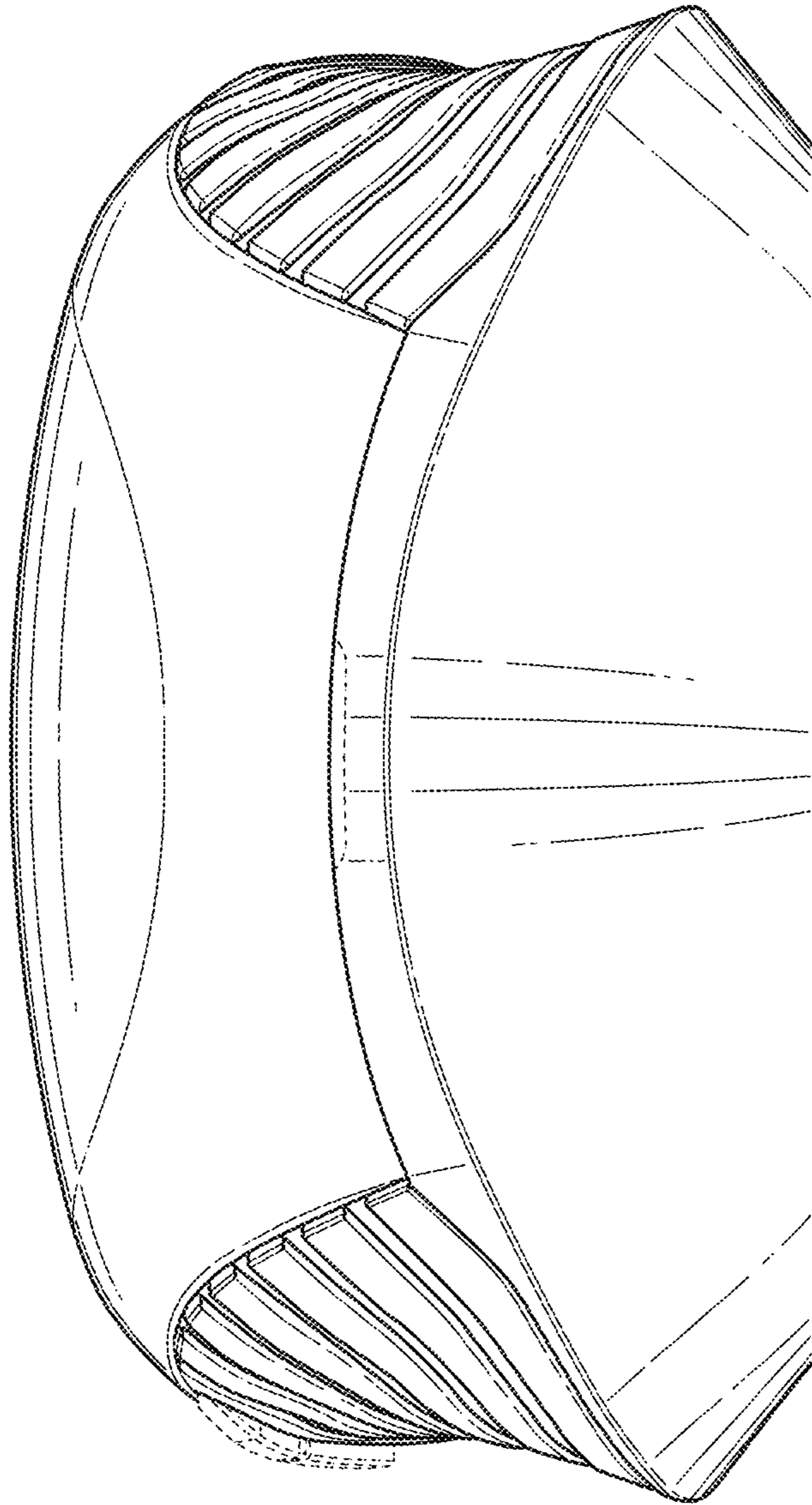


FIG. 3

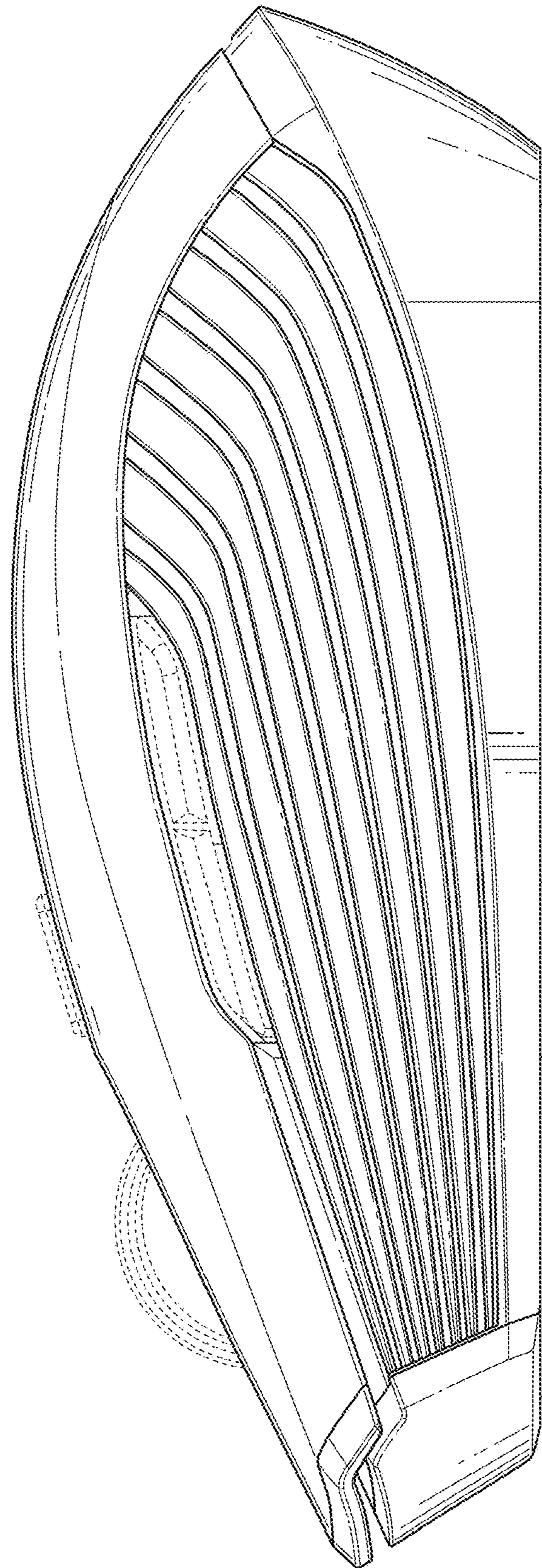


FIG. 4

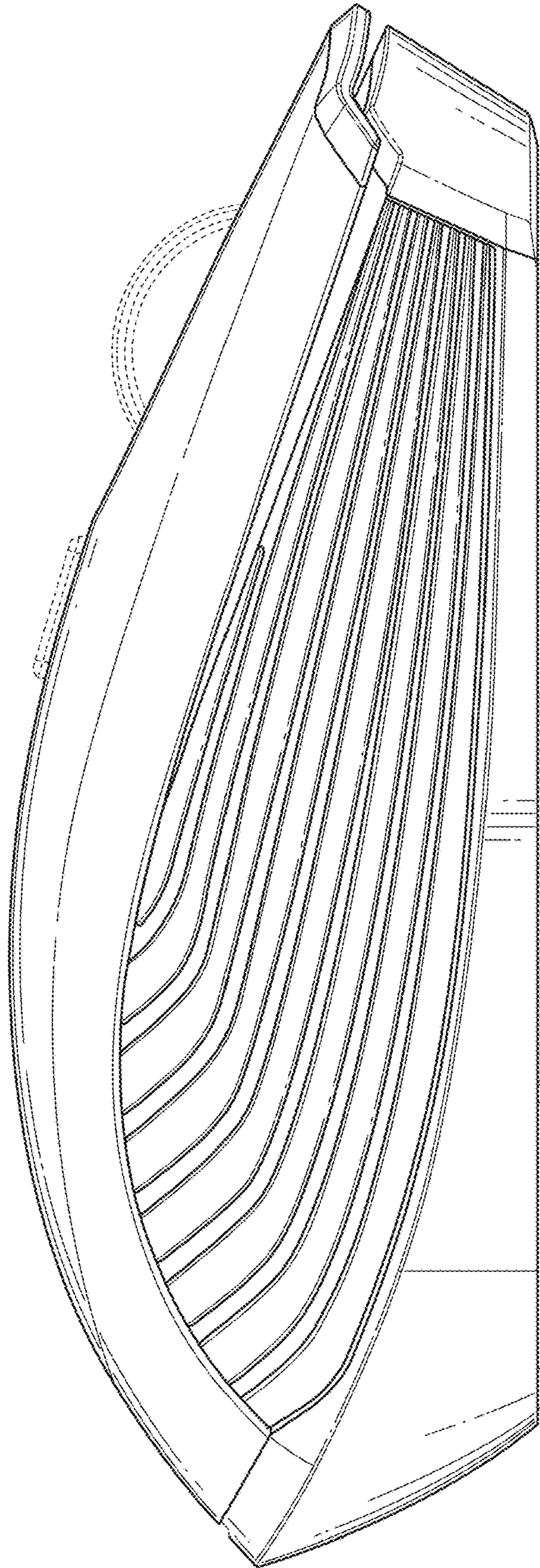


FIG. 5

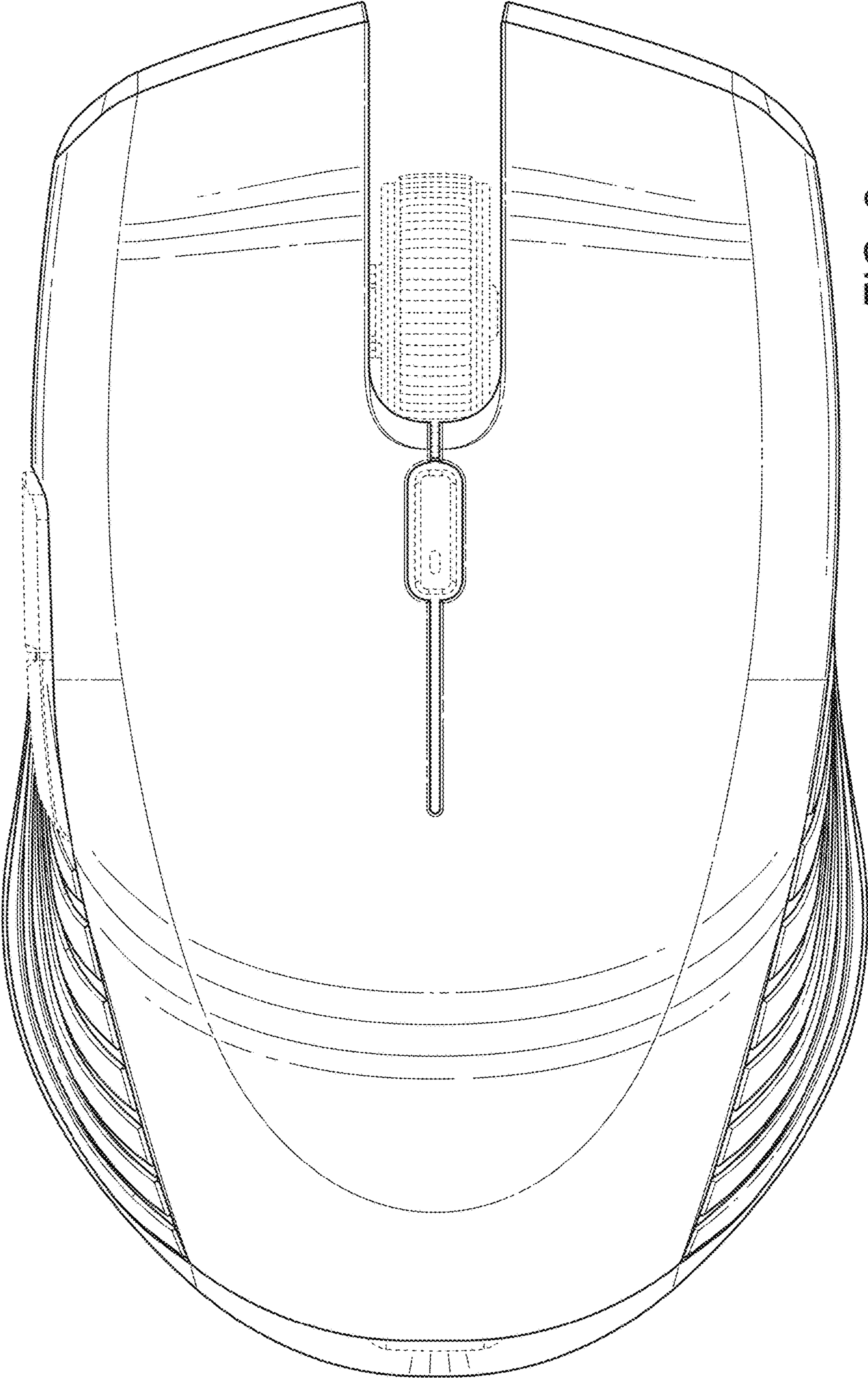


FIG. 6

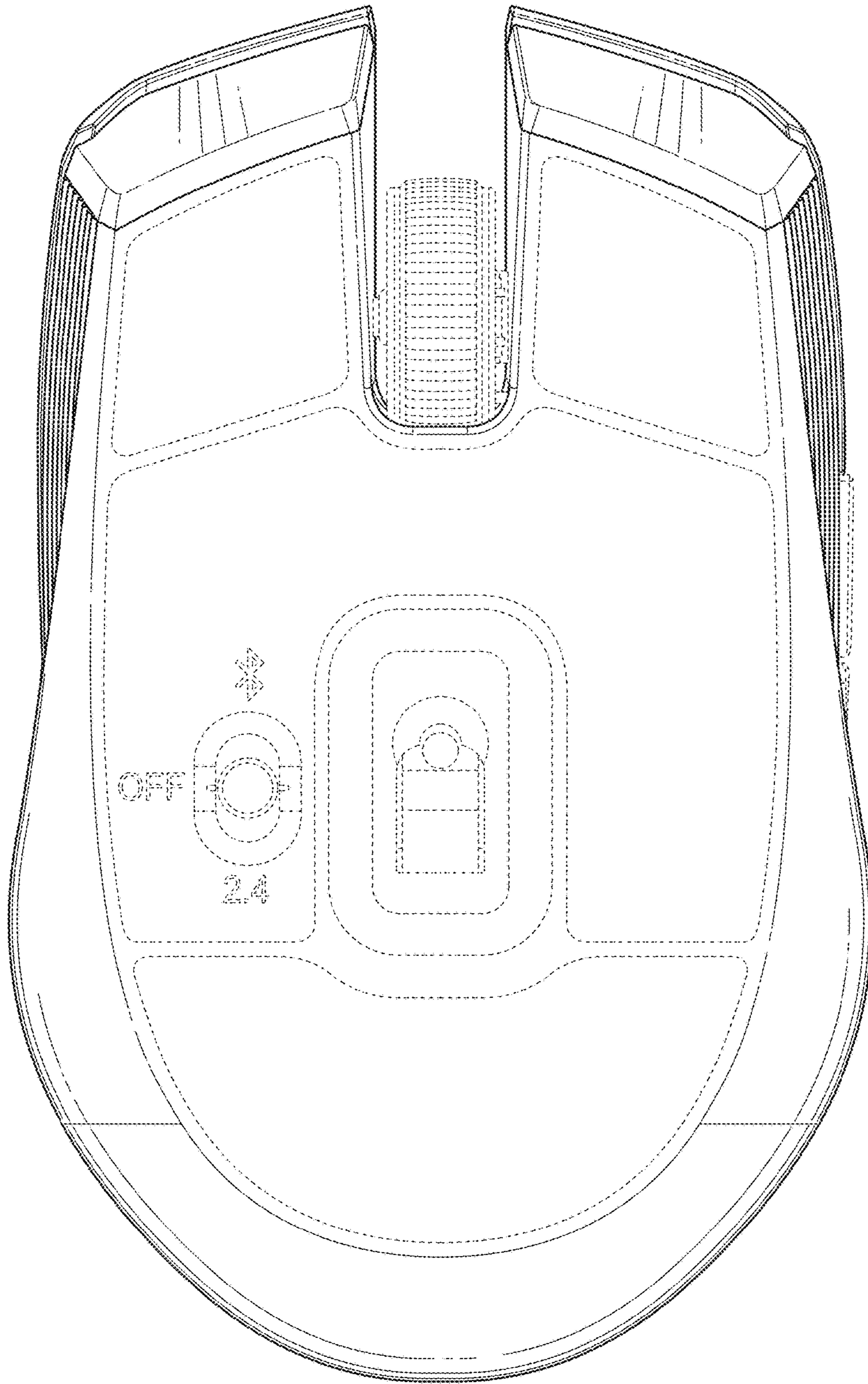


FIG. 7