



US00D826938S

(12) **United States Design Patent**
Son et al.

(10) **Patent No.:** **US D826,938 S**

(45) **Date of Patent:** **** Aug. 28, 2018**

(54) **PUSH BUTTON MODULE FOR ELECTRONIC DEVICE**

(71) Applicant: **LUXROBO**, Seoul (KR)

(72) Inventors: **Yoon Son**, Seoul (KR); **Jeong In Kim**, Seoul (KR)

(73) Assignee: **LUXROBO**, Seoul (KR)

(**) Term: **15 Years**

(21) Appl. No.: **29/591,229**

(22) Filed: **Jan. 18, 2017**

(30) **Foreign Application Priority Data**

Dec. 22, 2016 (KR) 30-2016-0062472

(51) **LOC (11) Cl.** **14-02**

(52) **U.S. Cl.**
USPC **D14/388**

(58) **Field of Classification Search**

USPC D14/356, 357, 388, 389, 390, 391, 392, D14/393, 394, 398, 399, 400, 401, 402, D14/407, 454, 299, 496, 217, 218, 240; D13/123, 162, 162.1, 164, 170, 171, 173, D13/174, 184, 199; D10/104.1; D17/1, D17/10, 99; D15/199; D21/333; D19/59, 60, 62, 64

CPC . G06F 3/01; G06F 3/02; G06F 3/0362; G06F 3/0338; G06F 3/016; G06F 1/1626; G06F 1/1671; H04M 1/0254; H04M 1/0256; A63H 33/04; A63H 33/042

See application file for complete search history.

(56) **References Cited**

U.S. PATENT DOCUMENTS

D286,773 S * 11/1986 Pauser D14/299
D300,428 S * 3/1989 Garmon 379/432
D307,415 S * 4/1990 Holmer D13/164
D330,012 S * 10/1992 Takahashi D13/162

D338,674 S * 8/1993 Fogarty, Sr. D14/218
5,729,249 A * 3/1998 Yasutake G06F 3/0338
345/157
5,865,546 A * 2/1999 Ganthier G06F 3/0202
341/22
D464,682 S * 10/2002 Lin D21/499
D469,776 S * 2/2003 Laity D14/435
D480,437 S * 10/2003 Stoneberg D21/499
D490,483 S * 5/2004 Auberger D21/499
6,795,318 B2 * 9/2004 Haas H04M 1/0254
361/728
D502,465 S * 3/2005 Laity D14/242
D520,519 S * 5/2006 Chin D14/203.3

(Continued)

OTHER PUBLICATIONS

First Stretch Goal!. kickstarter.com. [online] 5 pgs. Posted , Oct. 21, 2016. [Retrieved on Jan. 5, 2018] <https://www.kickstarter.com/projects/luxrobo/modi-create-anything-you-want-with-robotics-of-thi/posts/1714756>.*

Primary Examiner — Susan Bennett Hattan

Assistant Examiner — Marie D. Fast Horse

(74) *Attorney, Agent, or Firm* — Dinsmore & Shohl LLP

(57) **CLAIM**

The ornamental design for a push button module for electronic device, as shown and described.

DESCRIPTION

FIG. 1 is the front perspective view of a push button module for electronic device showing our new design;

FIG. 2 is the front view thereof;

FIG. 3 is the rear view thereof;

FIG. 4 is the left-side view thereof;

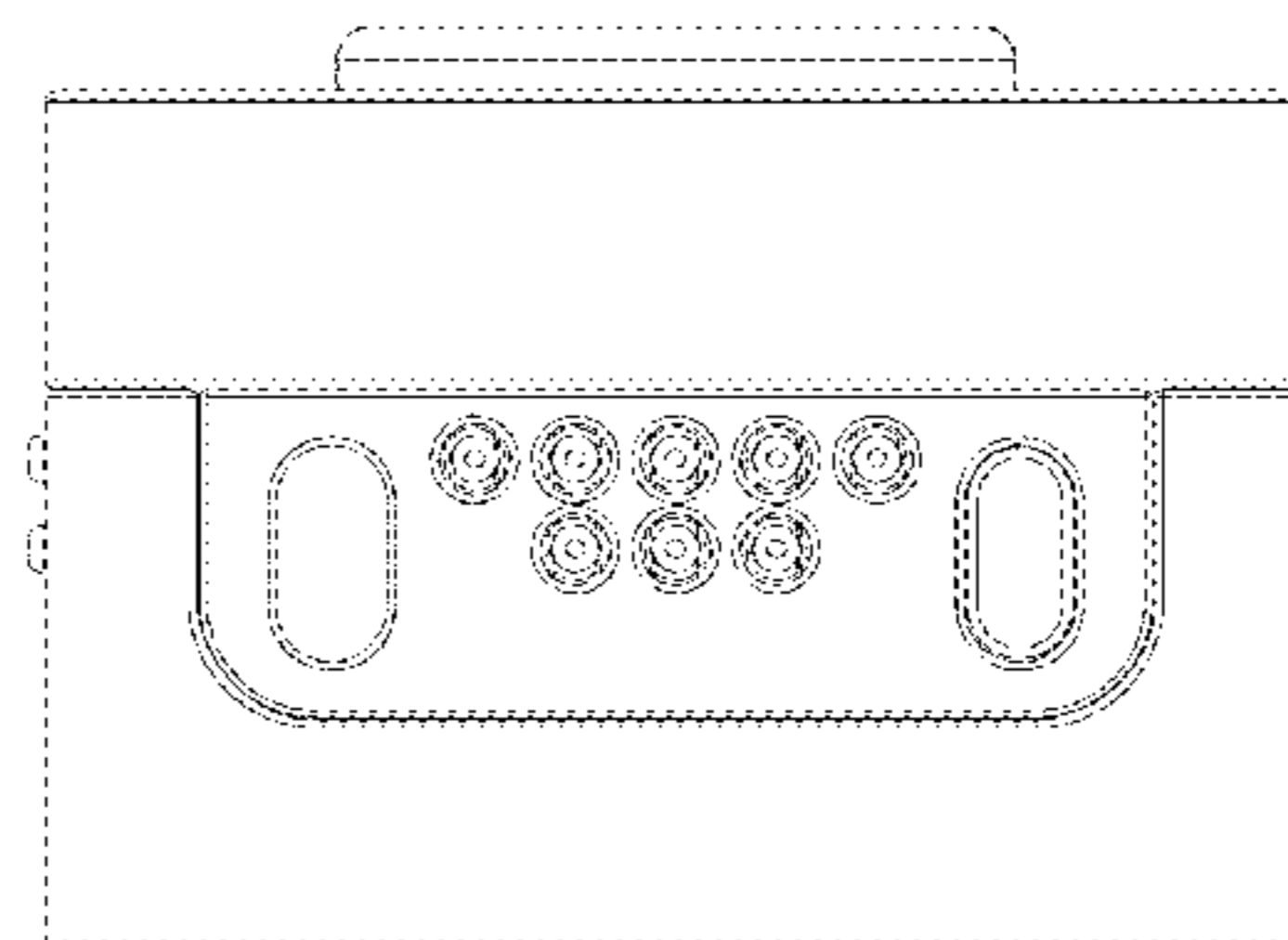
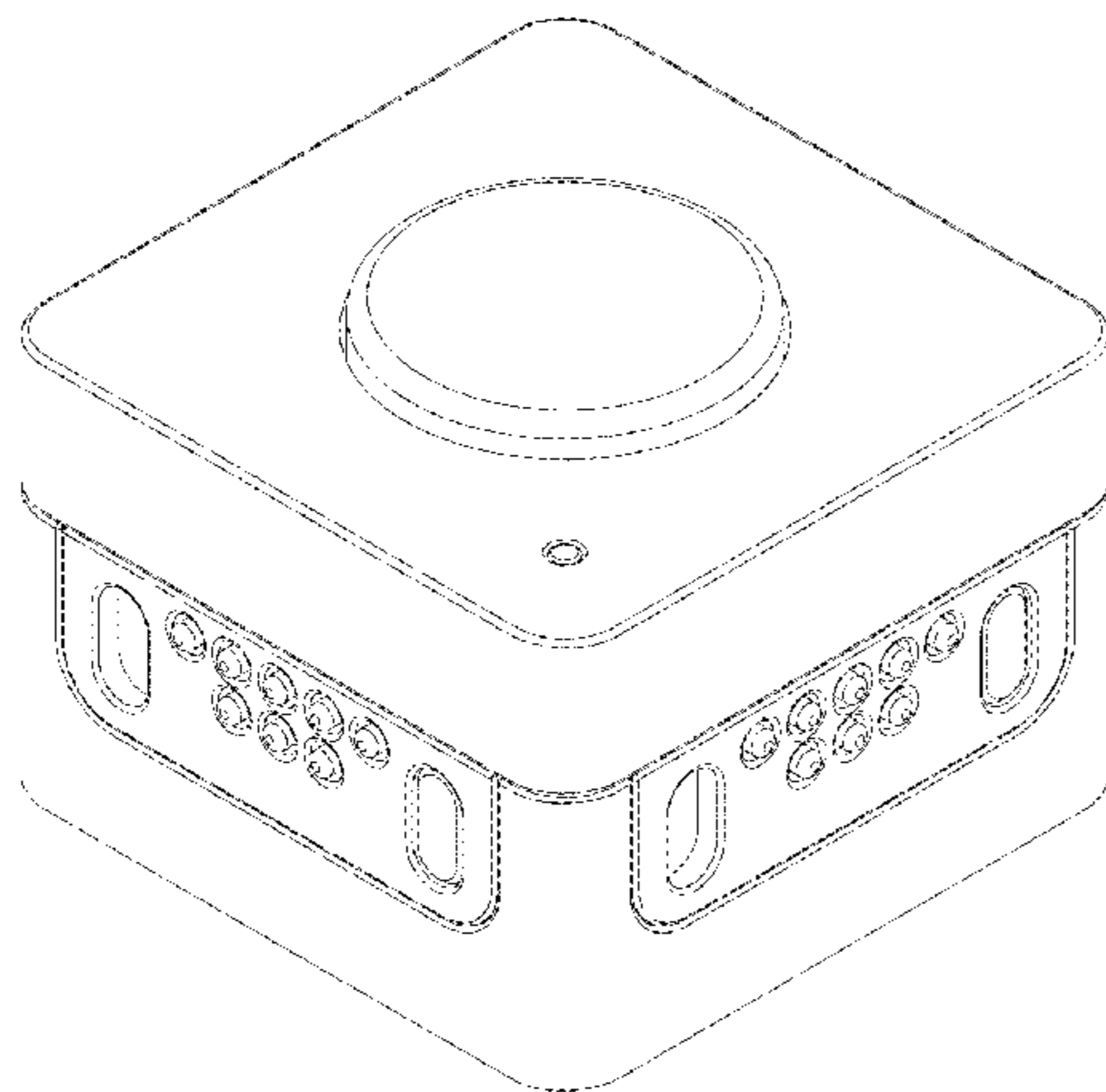
FIG. 5 is the right-side view thereof;

FIG. 6 is the top plan view thereof; and,

FIG. 7 is the bottom plan view thereof.

The broken lines in the drawings depict parts of the push button module for electric device that form no part of the claim.

1 Claim, 7 Drawing Sheets



(56)

References Cited

U.S. PATENT DOCUMENTS

D520,991 S * 5/2006 Ma D14/240
 D537,816 S * 3/2007 Maruyama D14/240
 7,322,873 B2 * 1/2008 Rosen A63H 33/042
 446/124
 D563,994 S * 3/2008 Liu D14/356
 D630,616 S * 1/2011 Vex D14/217
 D631,048 S * 1/2011 Adriano D14/399
 D645,468 S * 9/2011 Skulina D14/388
 8,018,726 B2 * 9/2011 Friedlander H01H 9/0235
 345/156
 D663,643 S * 7/2012 Saikawa D10/108
 D667,005 S * 9/2012 Lutz D14/314
 D685,392 S * 7/2013 Chamness D14/496
 D691,656 S * 10/2013 Merrill D19/60
 D692,427 S * 10/2013 Janson D14/388
 D705,762 S * 5/2014 Yu D14/240
 D706,249 S * 6/2014 Holzer D14/240
 D727,906 S * 4/2015 Neumann D14/358
 9,320,980 B2 * 4/2016 Schweikardt A63H 33/04
 D763,972 S * 8/2016 Kiribuchi D21/499
 D765,189 S * 8/2016 Kiribuchi D21/499
 D771,039 S * 11/2016 Windstrup D14/356
 D783,543 S * 4/2017 Sims D13/158

D787,513 S * 5/2017 Basil D14/365
 D789,932 S * 6/2017 Chu D14/388
 D790,483 S * 6/2017 Yoon D13/168
 9,672,184 B1 * 6/2017 Jain G06F 13/409
 D791,134 S * 7/2017 Chu D14/388
 D794,018 S * 8/2017 Basil D14/356
 D795,348 S * 8/2017 Zekelman D14/356
 9,748,689 B1 * 8/2017 Kim H01R 11/30
 9,755,356 B1 * 9/2017 Kim H01R 13/6205
 2005/0075757 A1 * 4/2005 Haas G01N 35/0092
 700/245
 2006/0134978 A1 * 6/2006 Rosen A63H 33/042
 439/581
 2006/0172787 A1 * 8/2006 Ellis A63F 13/10
 463/1
 2010/0105526 A1 * 4/2010 Hautoplund A63B 69/0053
 482/8
 2012/0122059 A1 * 5/2012 Schweikardt A63H 33/04
 434/118
 2015/0127146 A1 * 5/2015 Carlson B25J 9/1617
 700/245
 2015/0258682 A1 * 9/2015 Izikevich B25J 9/0009
 700/245
 2016/0005331 A1 * 1/2016 Ryland B25J 9/08
 434/118

* cited by examiner

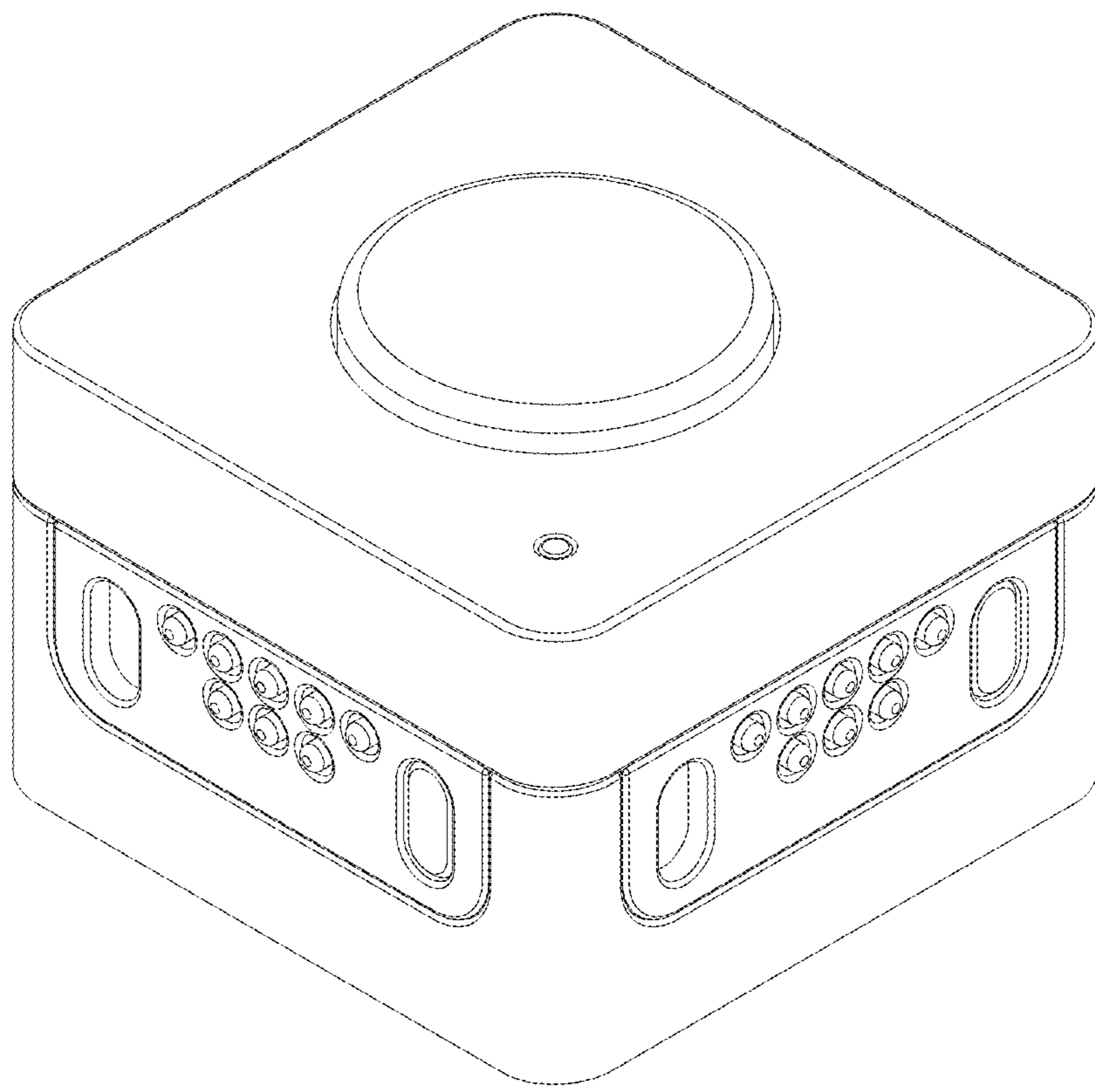


FIG. 1

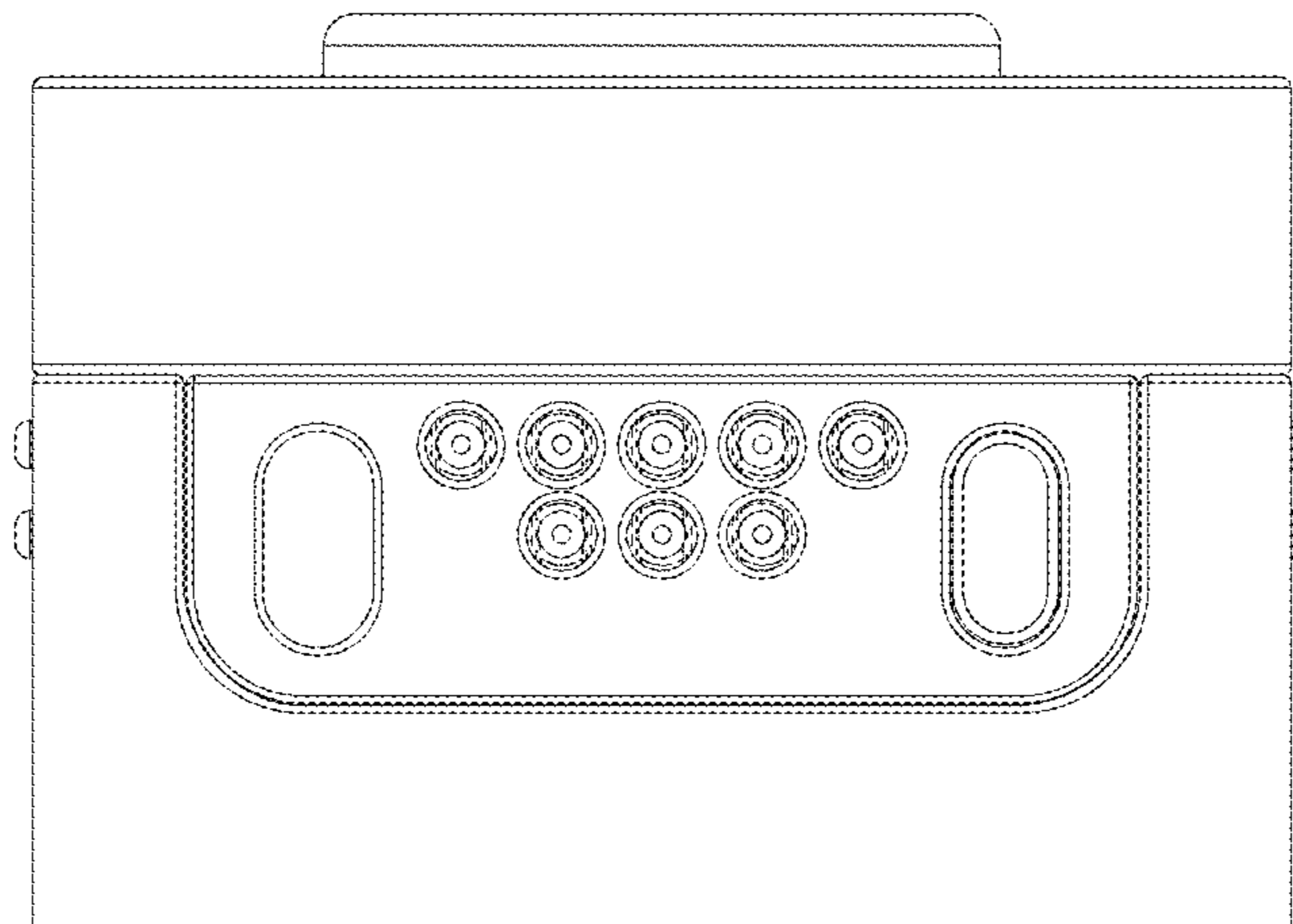


FIG. 2

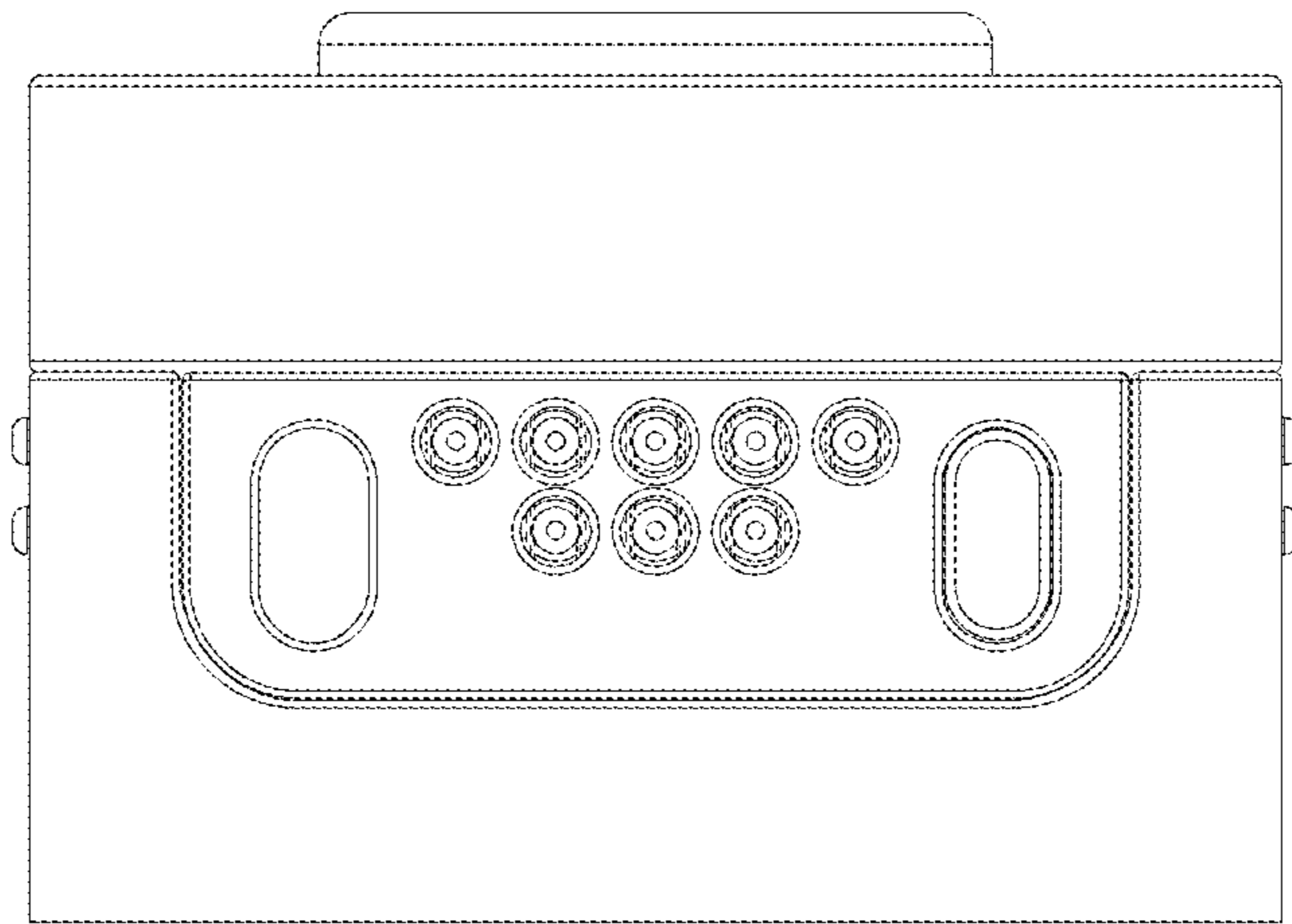


FIG. 3

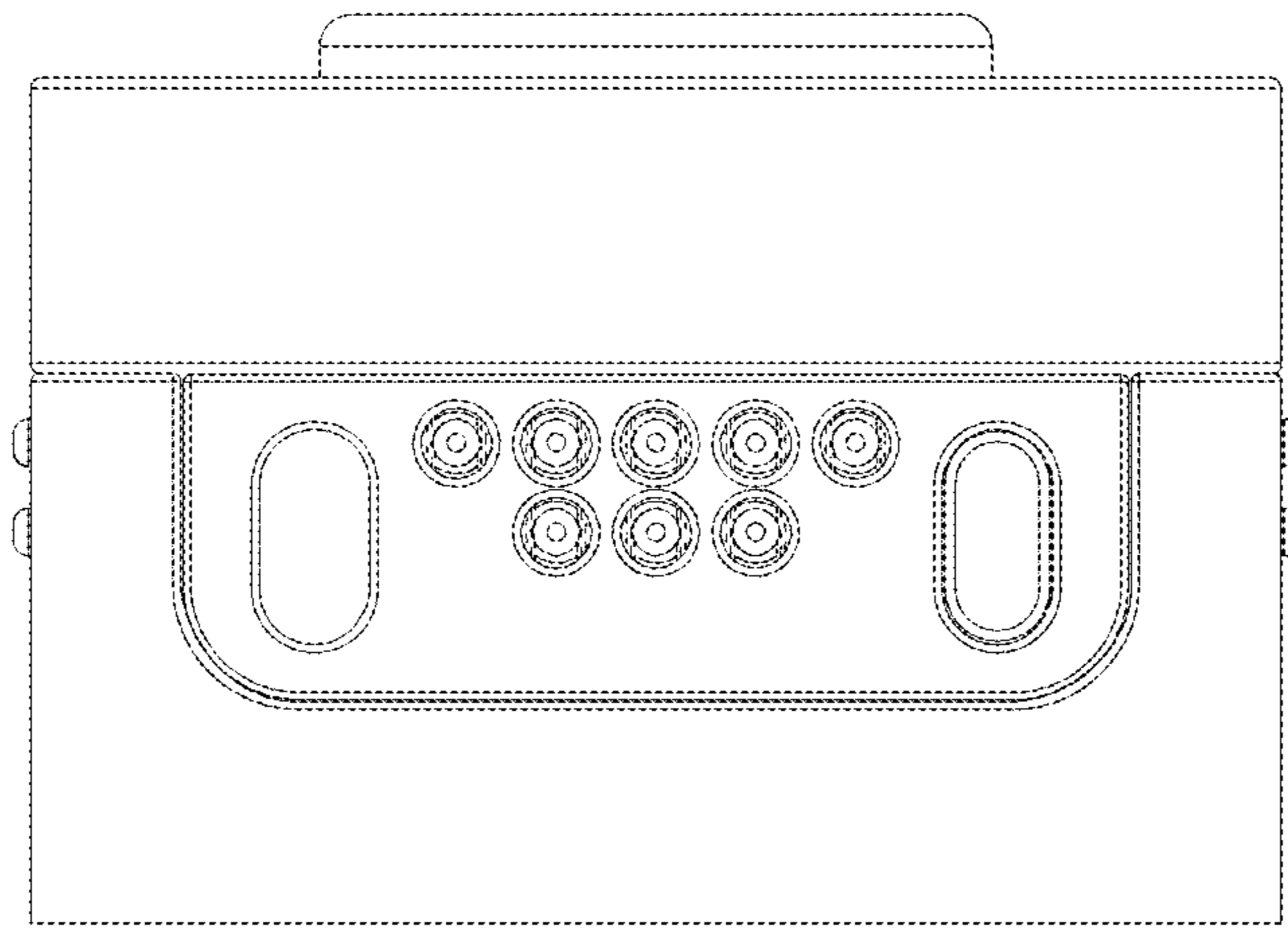


FIG. 4

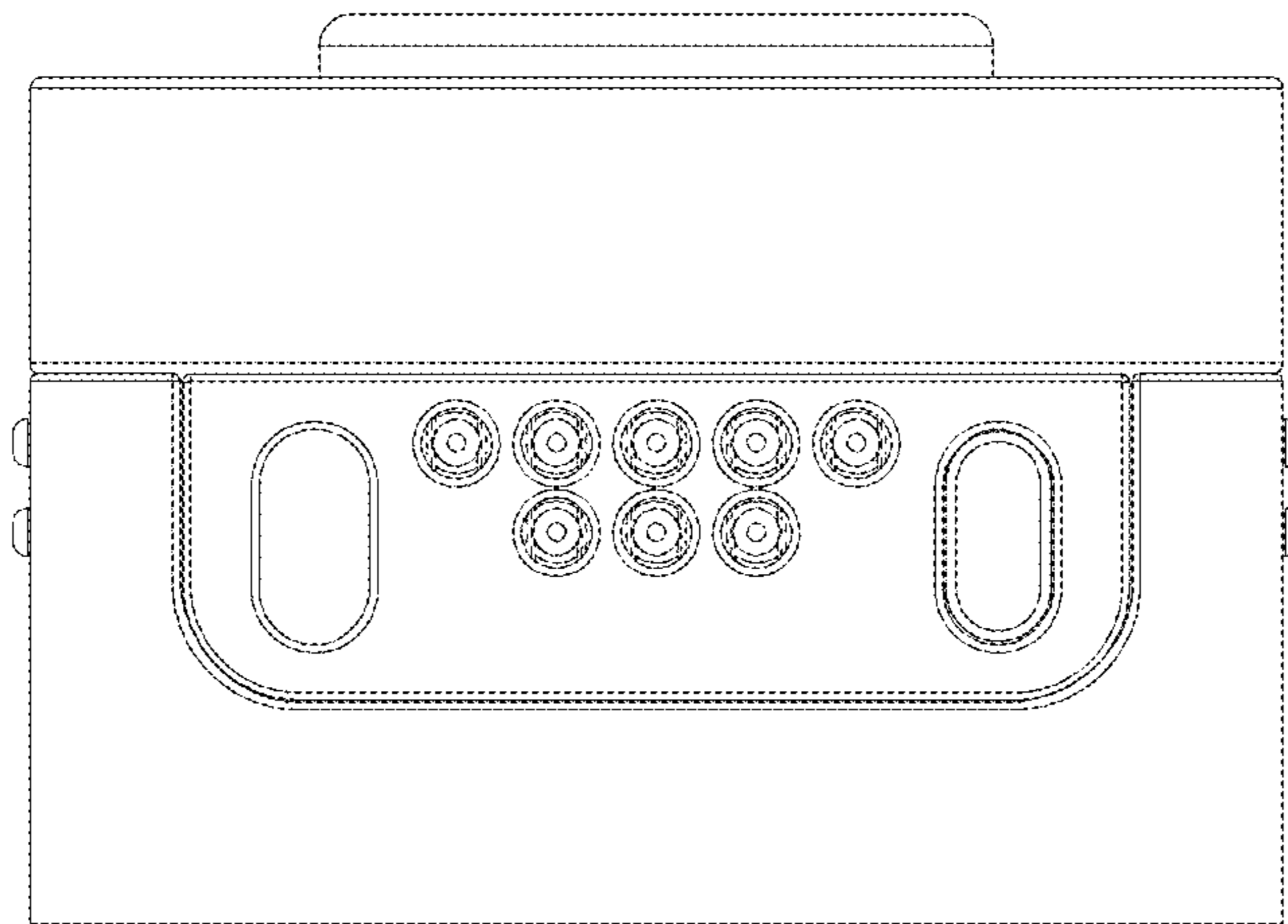


FIG. 5

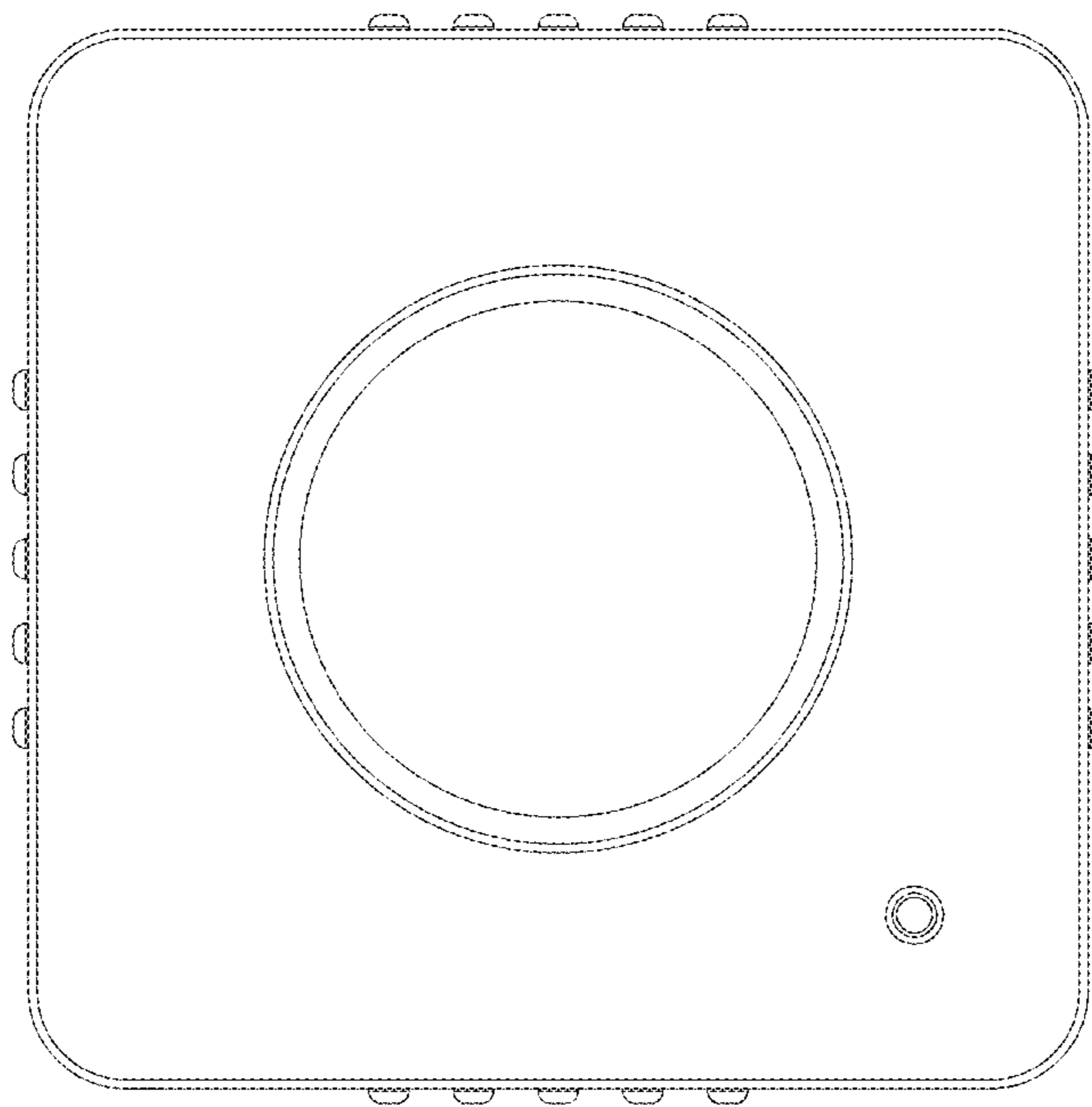


FIG. 6

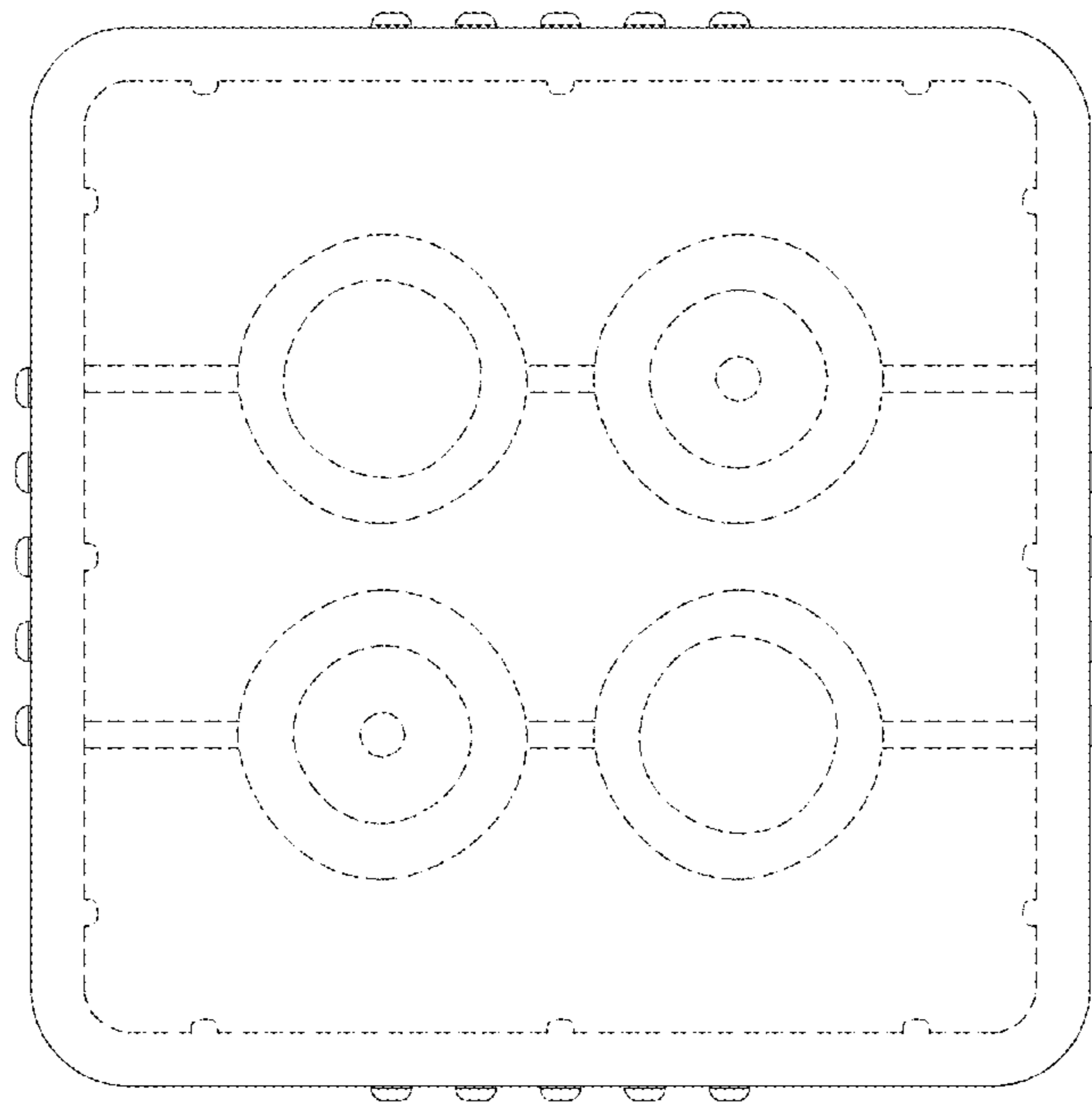


FIG. 7