



US00D826933S

(12) **United States Design Patent** (10) **Patent No.:** **US D826,933 S**  
**Lee et al.** (45) **Date of Patent:** **\*\* Aug. 28, 2018**

(54) **PORTABLE COMMUNICATION DEVICE**

(71) Applicant: **LG ELECTRONICS INC.**, Seoul (KR)

(72) Inventors: **Hophil Lee**, Seoul (KR); **Dongeun Kim**, Seoul (KR); **Jeongmin Kim**, Seoul (KR)

(73) Assignee: **LG ELECTRONICS INC.**, Seoul (KR)

(\*\*) Term: **15 Years**

(21) Appl. No.: **35/502,191**

(22) Filed: **Jun. 28, 2016**

(80) **Hague Agreement Data**

Int. Filing Date: **Jun. 28, 2016**

Int. Reg. No.: **DM/092219**

Int. Reg. Date: **Jun. 28, 2016**

Int. Reg. Pub. Date: **Dec. 30, 2016**

(30) **Foreign Application Priority Data**

Jan. 5, 2016 (KR) ..... 30-2016-0000320

(51) **LOC (11) Cl.** ..... **14-02**

(52) **U.S. Cl.**  
USPC ..... **D14/344**

(58) **Field of Classification Search**

USPC ..... D14/344, 358, 138 R, 144  
CPC . H04B 1/03; H04B 1/385; G04G 9/00; G04G 17/00; G04G 17/04; G04G 17/06; G04G 17/083

See application file for complete search history.

(56) **References Cited**

U.S. PATENT DOCUMENTS

D604,779 S \* 11/2009 Chan ..... D14/192

D750,624 S \* 3/2016 Kerley ..... D10/38

D756,356 S \* 5/2016 Park ..... D10/103  
D761,675 S \* 7/2016 Thaveeprungsriporn ..... D10/38  
D772,227 S \* 11/2016 Shan ..... D14/344  
D772,228 S \* 11/2016 Jung ..... D14/344  
D784,831 S \* 4/2017 Akana ..... D10/38  
D786,240 S \* 5/2017 Chuang ..... D14/344  
D788,105 S \* 5/2017 Heck ..... D14/344  
D790,374 S \* 6/2017 Lean ..... D10/39  
D794,013 S \* 8/2017 Heck ..... D11/5  
D801,346 S \* 10/2017 Oberpriller ..... D14/453  
D802,587 S \* 11/2017 Lee ..... D14/344

OTHER PUBLICATIONS

<https://www.pcmag.com/article2/0,2817,2494449,00.asp>[Dec. 6, 2017 4:38:00 AM].\*

\* cited by examiner

*Primary Examiner* — Michael A. Pratt

(74) *Attorney, Agent, or Firm* — Birch, Stewart, Kolasch & Birch, LLP

(57) **CLAIM**

The ornamental design for a portable communication device, as shown and described.

**DESCRIPTION**

1. Portable communication device

1.1 : Perspective

1.2 : Front

1.3 : Back

1.4 : Left

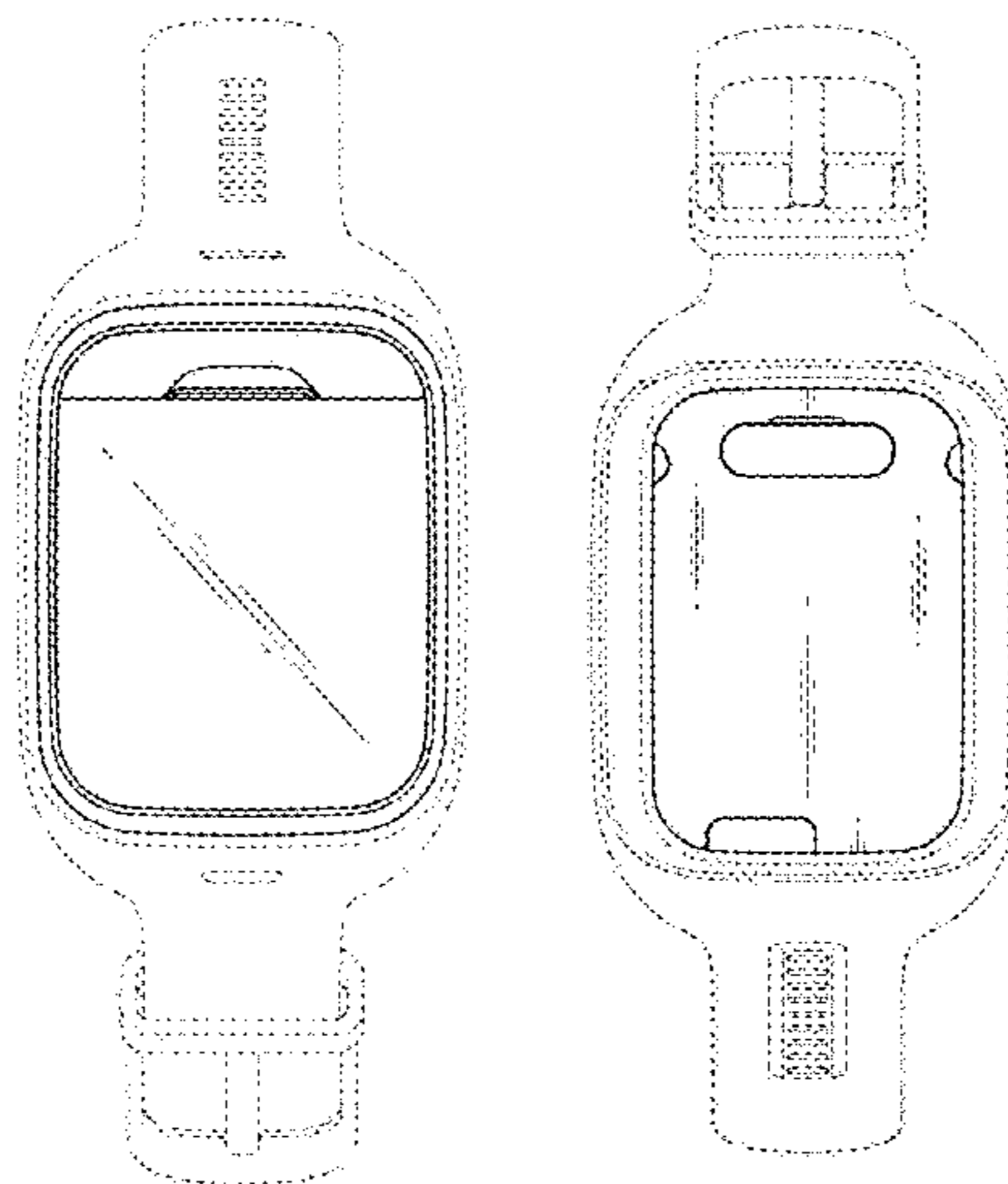
1.5 : Right

1.6 : Top

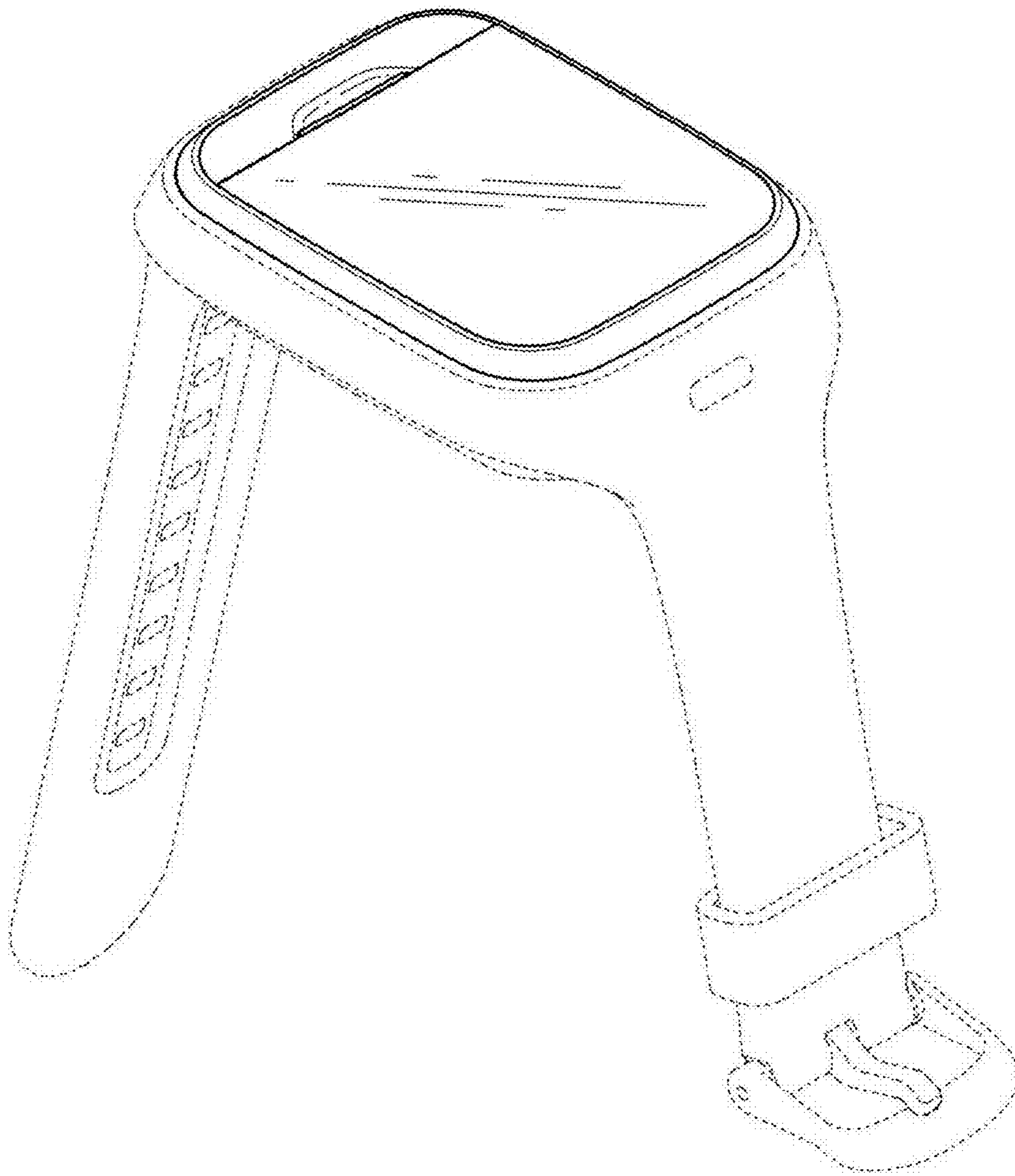
1.7 : Bottom

The broken line showing in figures 1.1 through 1.7 is for the purpose of illustrating portions of portable communication device that forms no part of the claimed design.

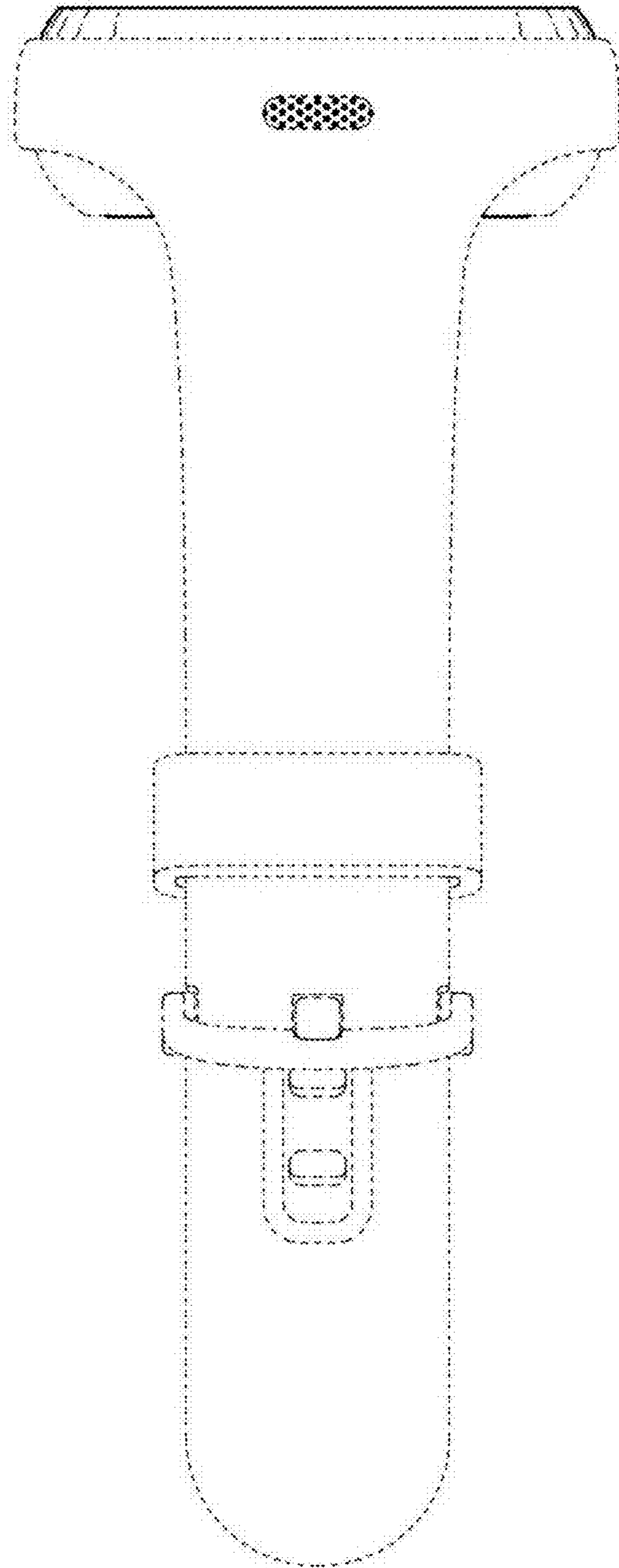
**1 Claim, 7 Drawing Sheets**



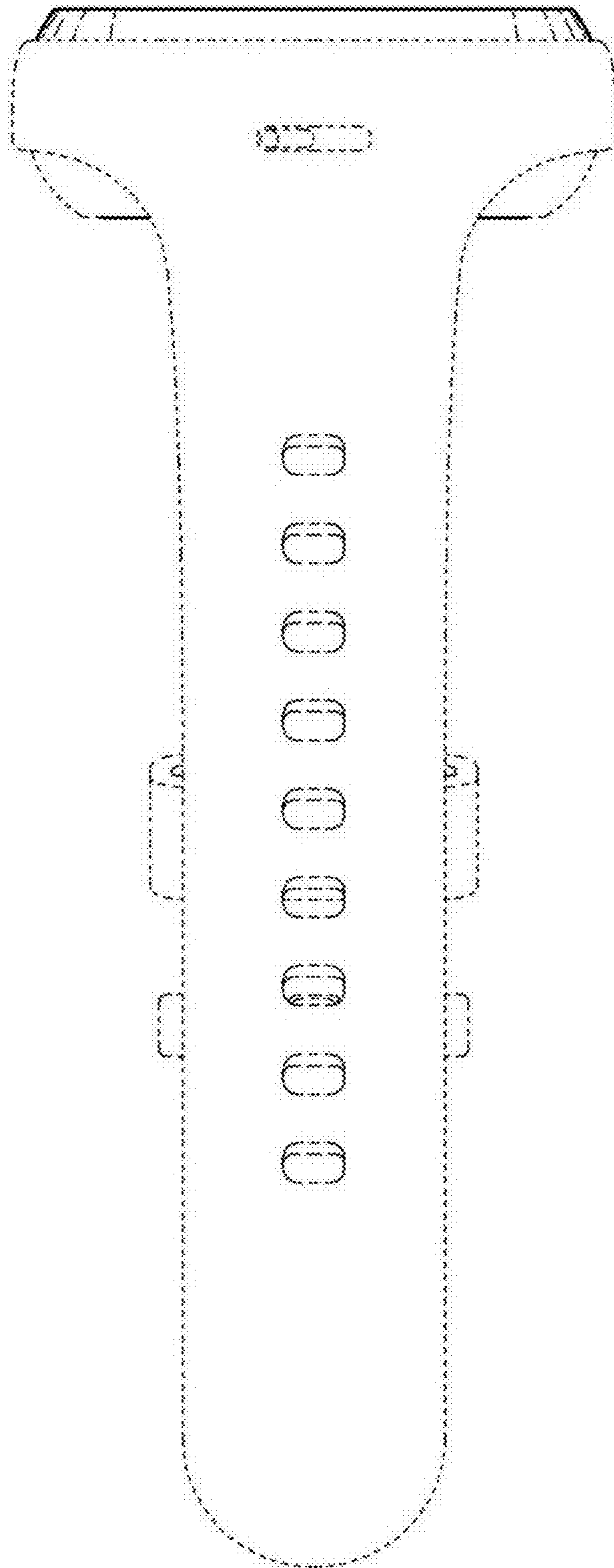
1.1



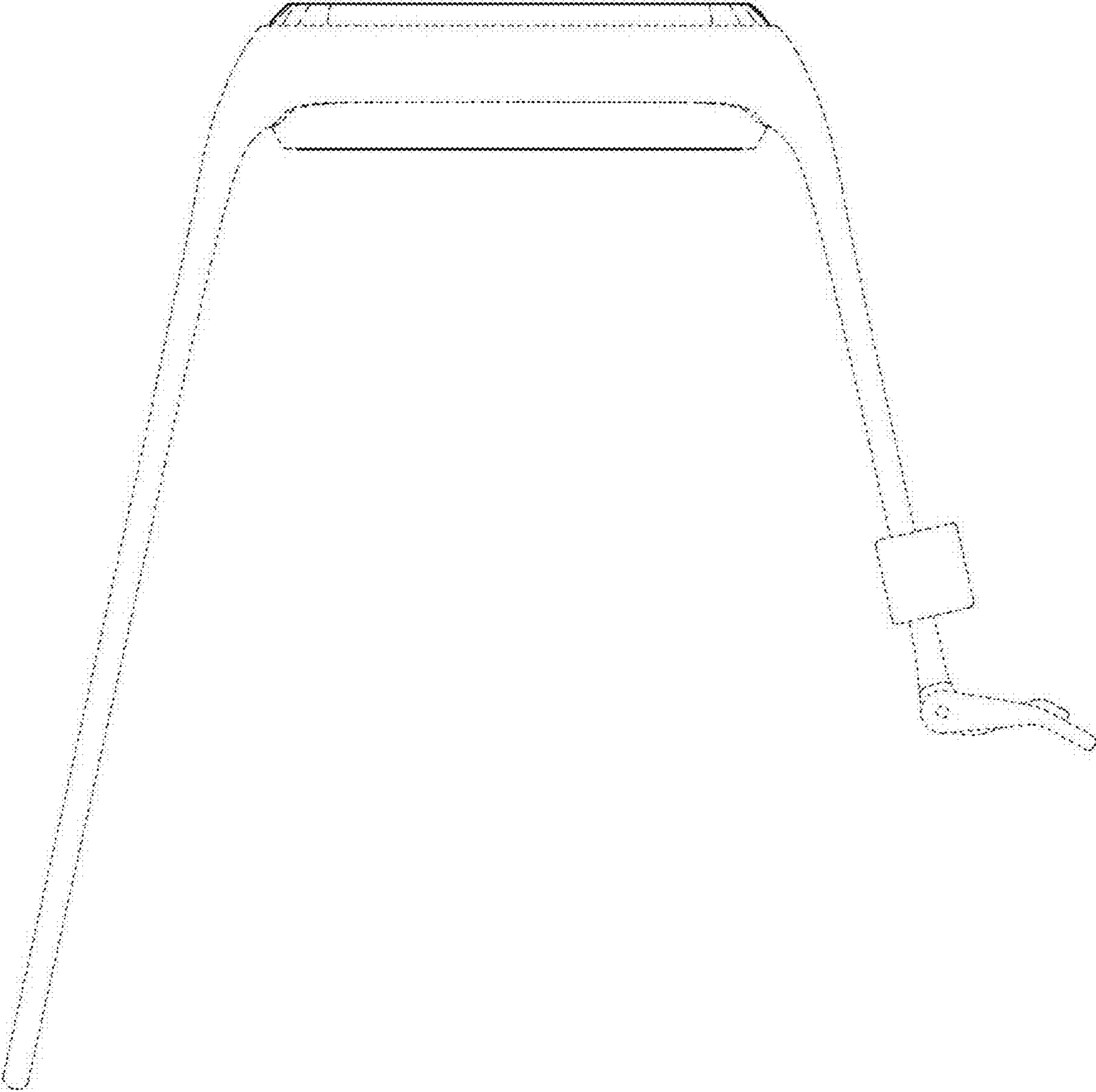
1.2



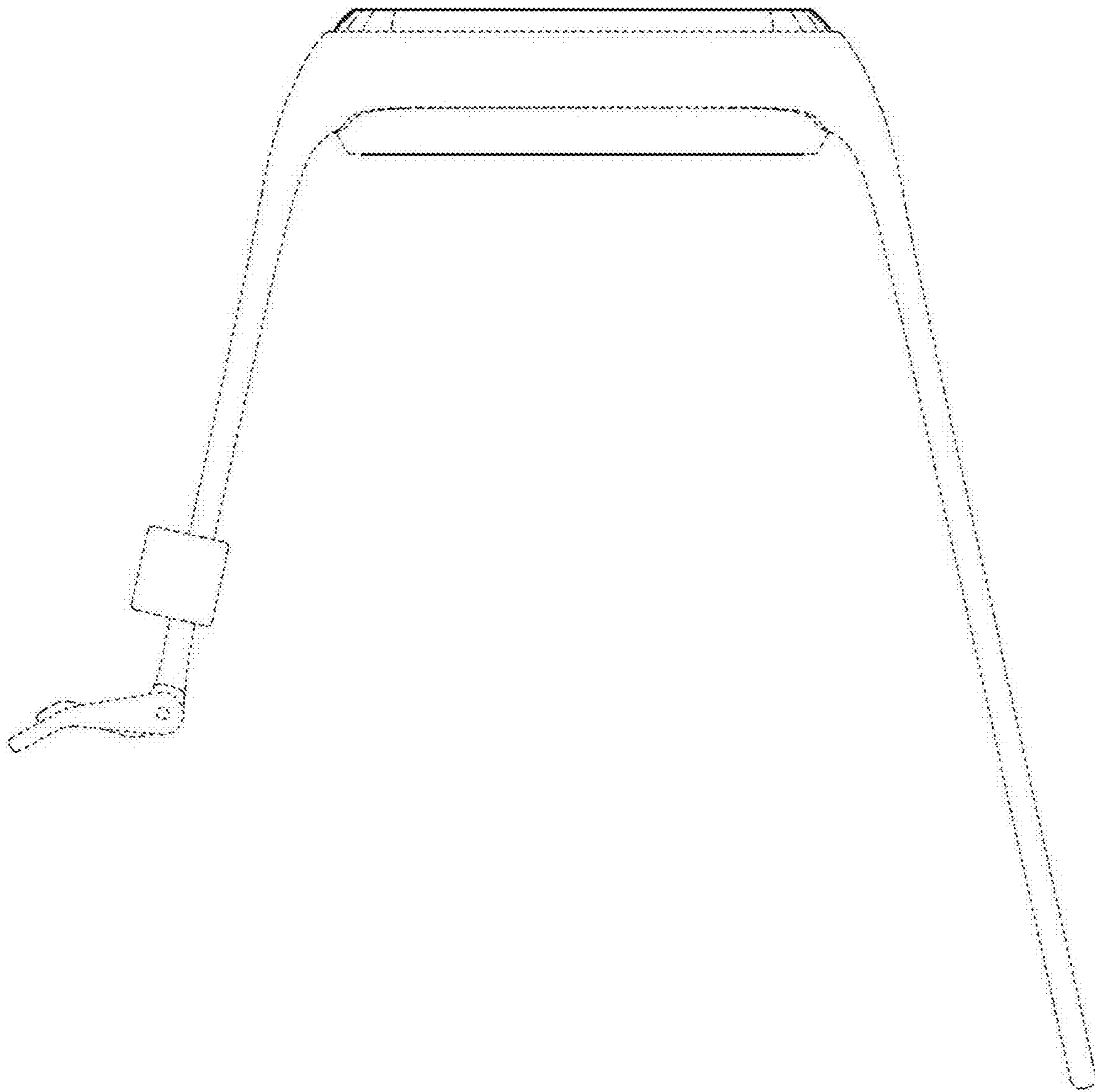
1.3



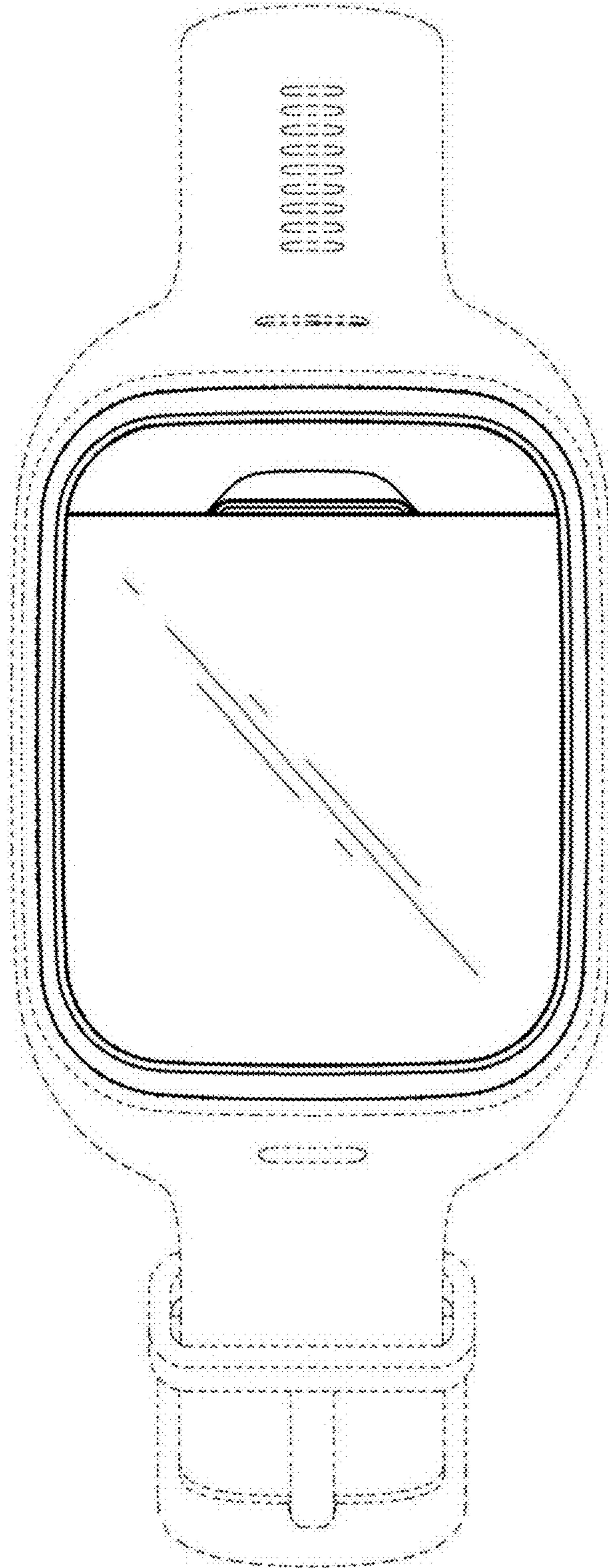
1.4



1.5



1.6



1.7

