



US00D826932S

(12) **United States Design Patent** (10) **Patent No.:** **US D826,932 S**  
**Chugh et al.** (45) **Date of Patent:** **\*\* Aug. 28, 2018**

(54) **WEARABLE DEVICE**

(71) Applicant: **SAMSUNG ELECTRONICS CO., LTD.**, Suwon-si, Gyeonggi-do (KR)

(72) Inventors: **Ridhi Chugh**, Haryana (IN); **Siddhartha Sen Choudhary**, Uttar Pradesh (IN); **Vivek Kumar Mishra**, Uttar Pradesh (IN); **Agarwal Pankaj**, Suwon (KR)

(73) Assignee: **SAMSUNG ELECTRONICS CO., LTD.**, Gyeonggi-Do (KR)

(\*\*) Term: **15 Years**

(21) Appl. No.: **29/566,468**

(22) Filed: **May 31, 2016**

(30) **Foreign Application Priority Data**

Dec. 4, 2015 (KR) ..... 30-2015-0061876

(51) **LOC (11) Cl.** ..... **14-02**

(52) **U.S. Cl.**  
USPC ..... **D14/344; D10/26**

(58) **Field of Classification Search**  
USPC ... D14/344, 138 R, 144, 341, 358, 485-489, D14/218; D10/30-39, 70, 98; D11/3, D11/93-94; D24/167, 169, 186-187; 361/679.03; 379/433.1; D13/108  
CPC .. A41D 1/002; G06F 1/04; G06F 1/08; G06F 1/10; G06F 1/14; G06F 1/1626; G06F 1/1628; G06F 1/163; G06F 1/1635; G06F 1/3203; G06Q 20/10; G06Q 20/12; G06Q 20/108; G06Q 20/145; H04B 1/3833; H04B 1/385; H04B 1/3888; H04M 1/02; H04M 1/03; H04M 1/04; H04M 1/05; H04M 1/667; H04M 1/6058; Y02B 60/1217  
See application file for complete search history.

(56) **References Cited**

U.S. PATENT DOCUMENTS

D225,442 S	*	12/1972	Stein	.....	D11/26
D427,379 S	*	6/2000	Thorpe	.....	D11/2
D504,635 S	*	5/2005	Jones	.....	D11/26
D536,275 S	*	2/2007	Allin	.....	D11/26
D604,187 S	*	11/2009	Dacko	.....	D10/70

(Continued)

OTHER PUBLICATIONS

5 wellness gadgets to help you stay healthy on the road, posted Nov. 1, 2016, [retrieved Dec. 20, 2017]. Retrieved from Internet, <URL: <https://www.silverkris.com/5-wellness-gadgets-to-help-you-stay-healthy-on-the-road/> >.\*

(Continued)

*Primary Examiner* — Barbara Fox

*Assistant Examiner* — Kristin E Reed

(74) *Attorney, Agent, or Firm* — Cantor Colburn LLP

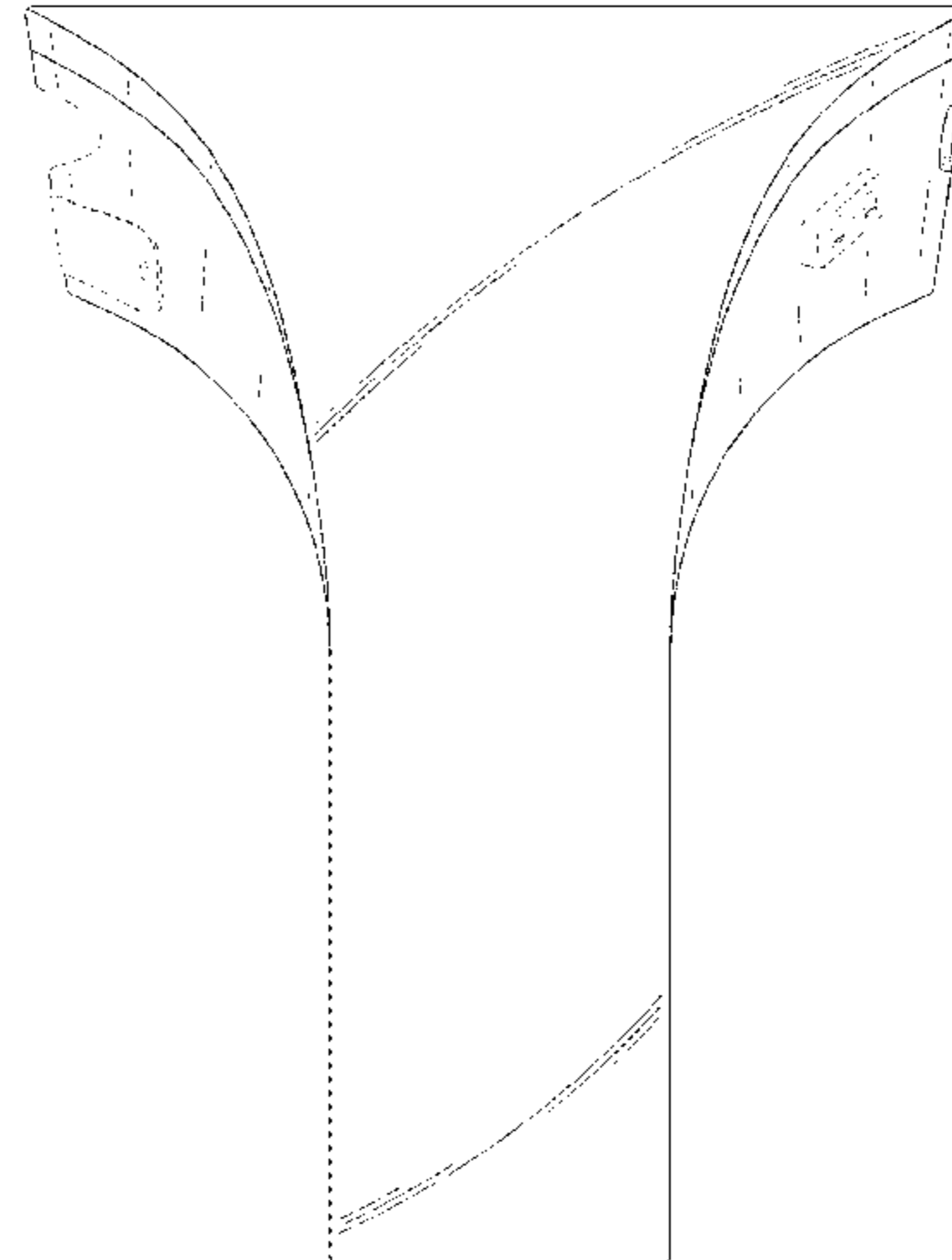
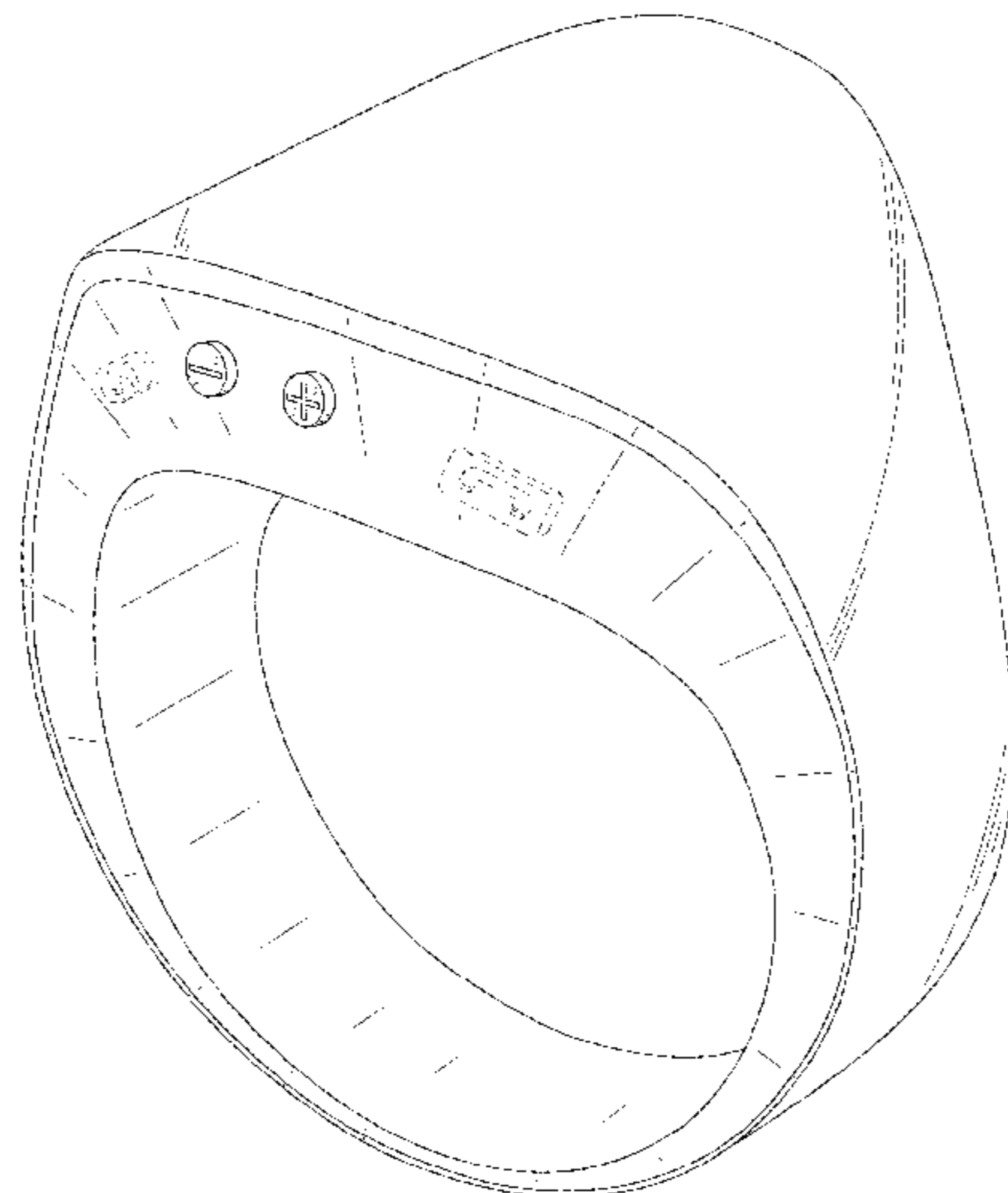
(57) **CLAIM**

The ornamental design for a wearable device, as shown and described.

**DESCRIPTION**

FIG. 1 is a front perspective view of a wearable device showing our new design;  
FIG. 2 is a front view thereof;  
FIG. 3 is a rear view thereof;  
FIG. 4 is a left side view thereof;  
FIG. 5 is a right side view thereof;  
FIG. 6 is a top view thereof;  
FIG. 7 is a bottom view thereof; and,  
FIG. 8 is a perspective view thereof, as shown in a user environment.  
The evenly spaced broken lines and the dot-dash broken lines in FIG. 8 illustrate a user environment; the remaining broken lines depict portions of the wearable device. The broken lines form no part of the claimed design.

**1 Claim, 8 Drawing Sheets**



(56)

**References Cited**

U.S. PATENT DOCUMENTS

D656,615 S \* 3/2012 Tzeng ..... D11/26  
 D685,285 S \* 7/2013 Collamore ..... D11/26  
 8,634,886 B1 \* 1/2014 Samuels ..... H04B 1/385  
 235/472.01  
 8,887,970 B2 \* 11/2014 Tsai ..... G06F 1/1626  
 224/217  
 D738,749 S \* 9/2015 Bibl ..... D10/32  
 D768,859 S \* 10/2016 Rodriguez Leal ..... D24/169  
 9,645,610 B1 \* 5/2017 Chang ..... G06F 1/163  
 D800,722 S \* 10/2017 Kim ..... D14/344

OTHER PUBLICATIONS

Nimb: A Smart Ring That Helps You Feel Safe And Sound, posted Jun. 21, 2016, [retrieved Dec. 20, 2017]. Retrieved from Internet,

<URL: <https://www.kickstarter.com/projects/1629204423/nimb-a-smart-ring-that-keeps-you-safe-and-sound> >.\*  
 Sport Pulse Ring, posted Apr. 28, 2013 [retrieved Dec. 20, 2017]. Retrieved from Internet, <URL: <https://www.amazon.com/Jobar-RET6235-Sport-Pulse-Ring/dp/B0076P9H10> >.\*  
 Arcus motion Analyzer ‘smart ring’ . . . [online]. pp. 1-4 [retrieved on May 31, 2016] Published Jun. 30, 2014. Retrieved from the Internet: <URL: <http://www.connectedly.com/arcus-motion-analyzer-smart-ring-announced-kickstarter-campaign>.  
 Fujitsu’s New Smart Ring. [online]. pp. 1-11 [retrieved on May 31, 2016] Published Jan. 13, 2015. Retrieved from the Internet: <URL: <http://www.androidheadlines.com/2015/01/fujitsus-new-smart-ring-prototype-lets-write-air.html>.  
 Hardcopy Project Blinky. [online]. pp. 1-15 [retrieved on May 31, 2016] Published Jun. 7, 2015 . Retrieved from the Internet: <URL: [http://www.hardcopyworld.com/gnuboard5/bbs/board.php?bo\\_table=project\\_hardcopy&wr\\_id=166](http://www.hardcopyworld.com/gnuboard5/bbs/board.php?bo_table=project_hardcopy&wr_id=166)-.>

\* cited by examiner

FIG. 1

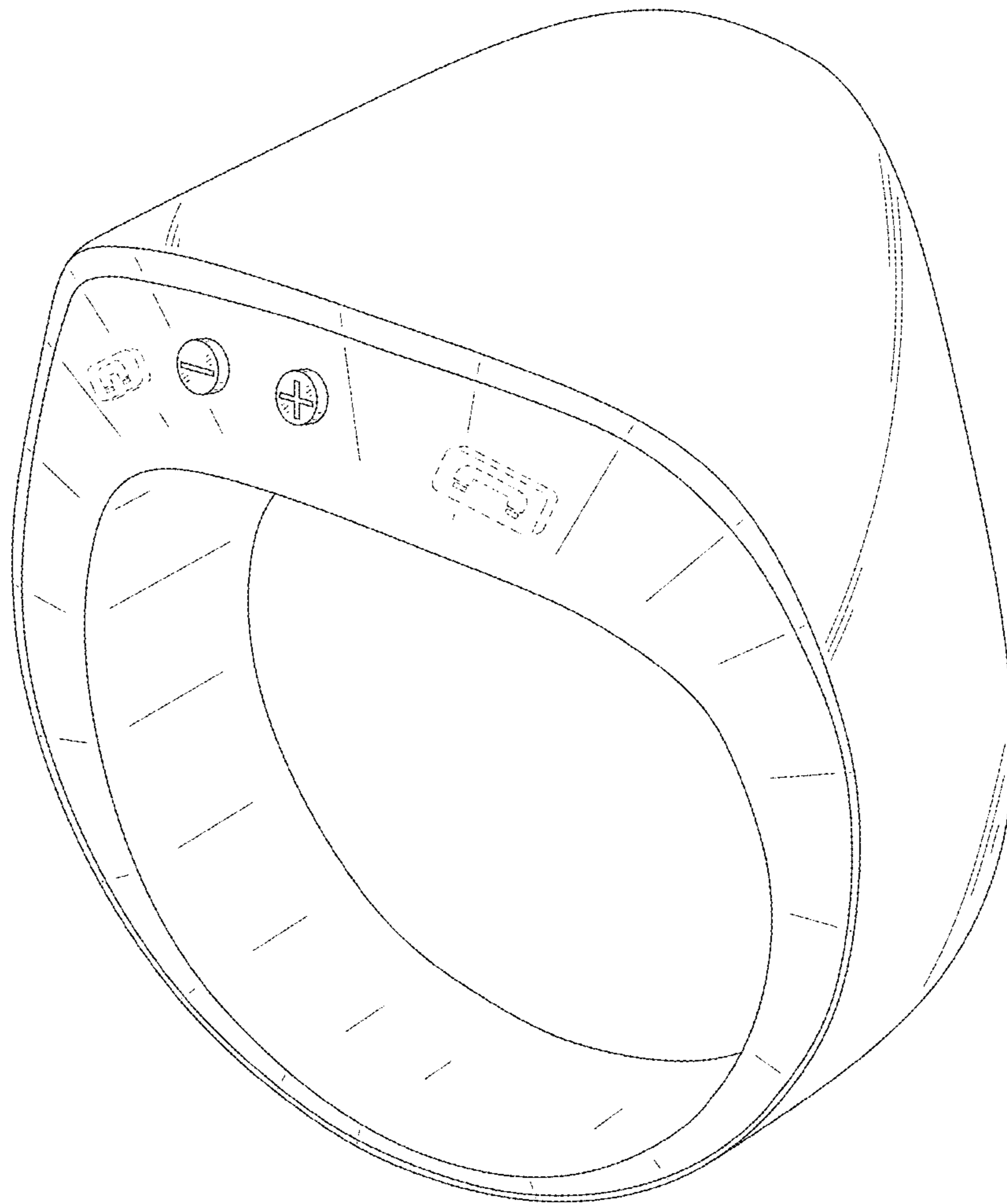


FIG. 2

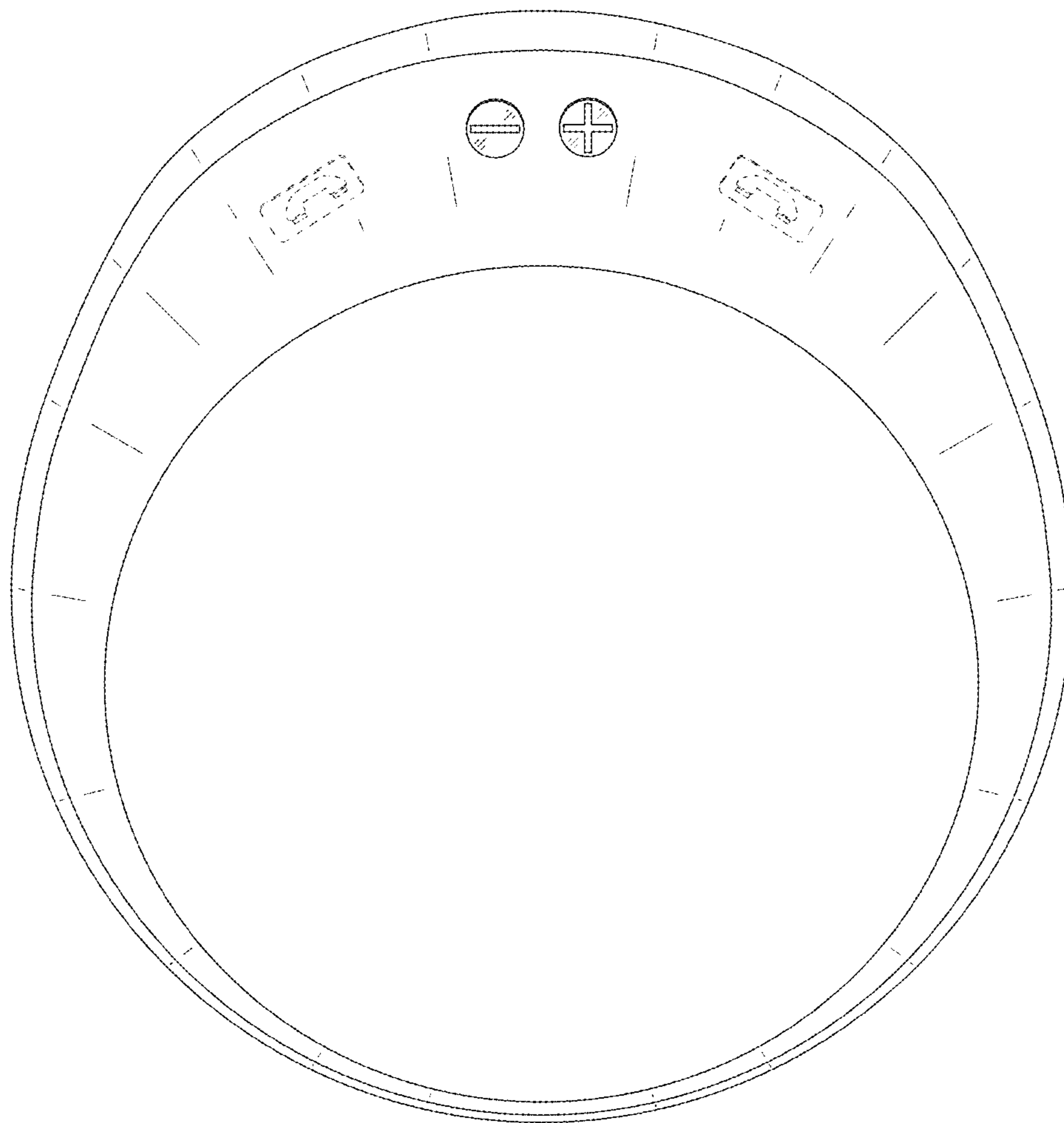


FIG. 3

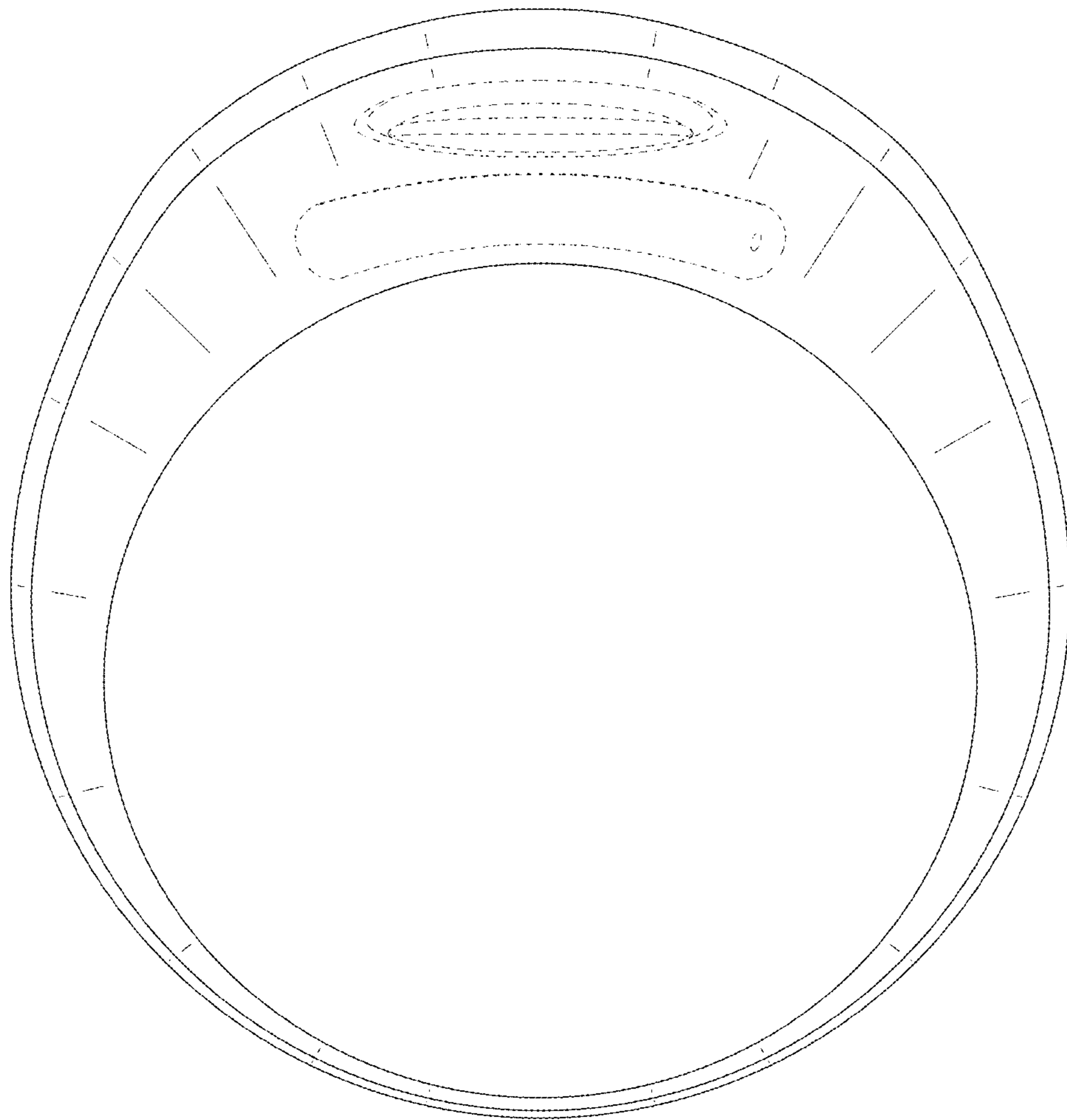


FIG. 4

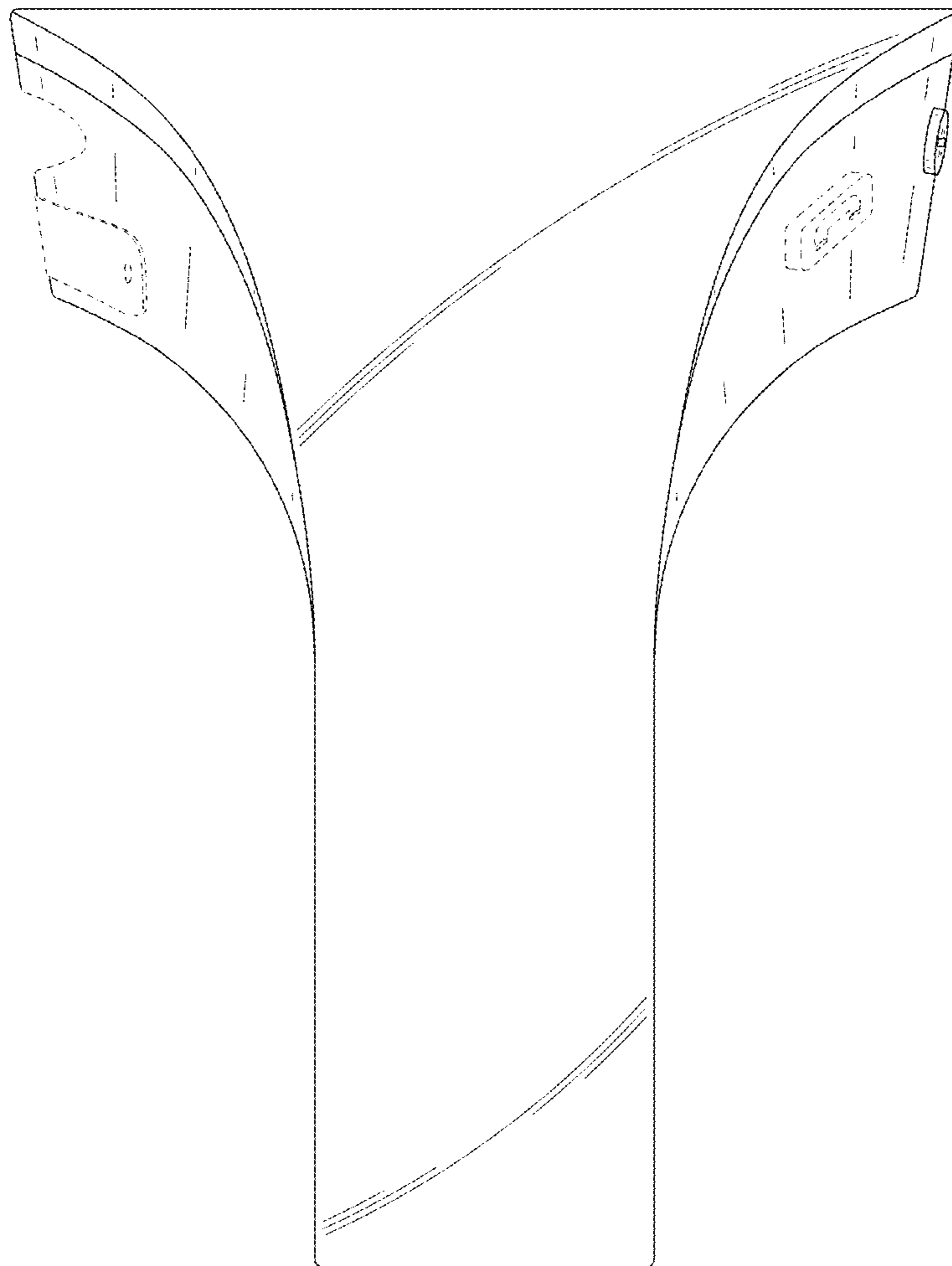


FIG. 5

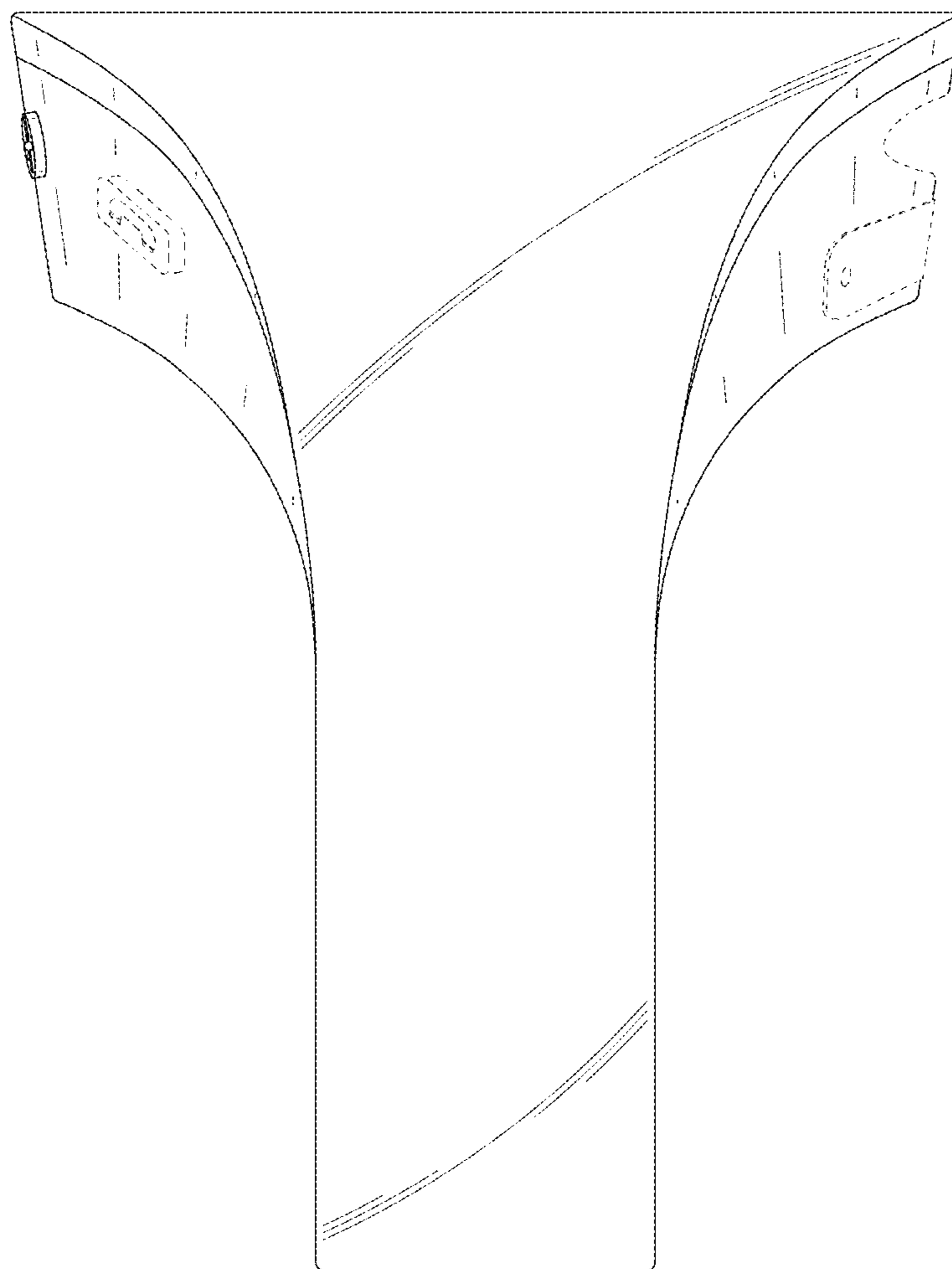


FIG. 6

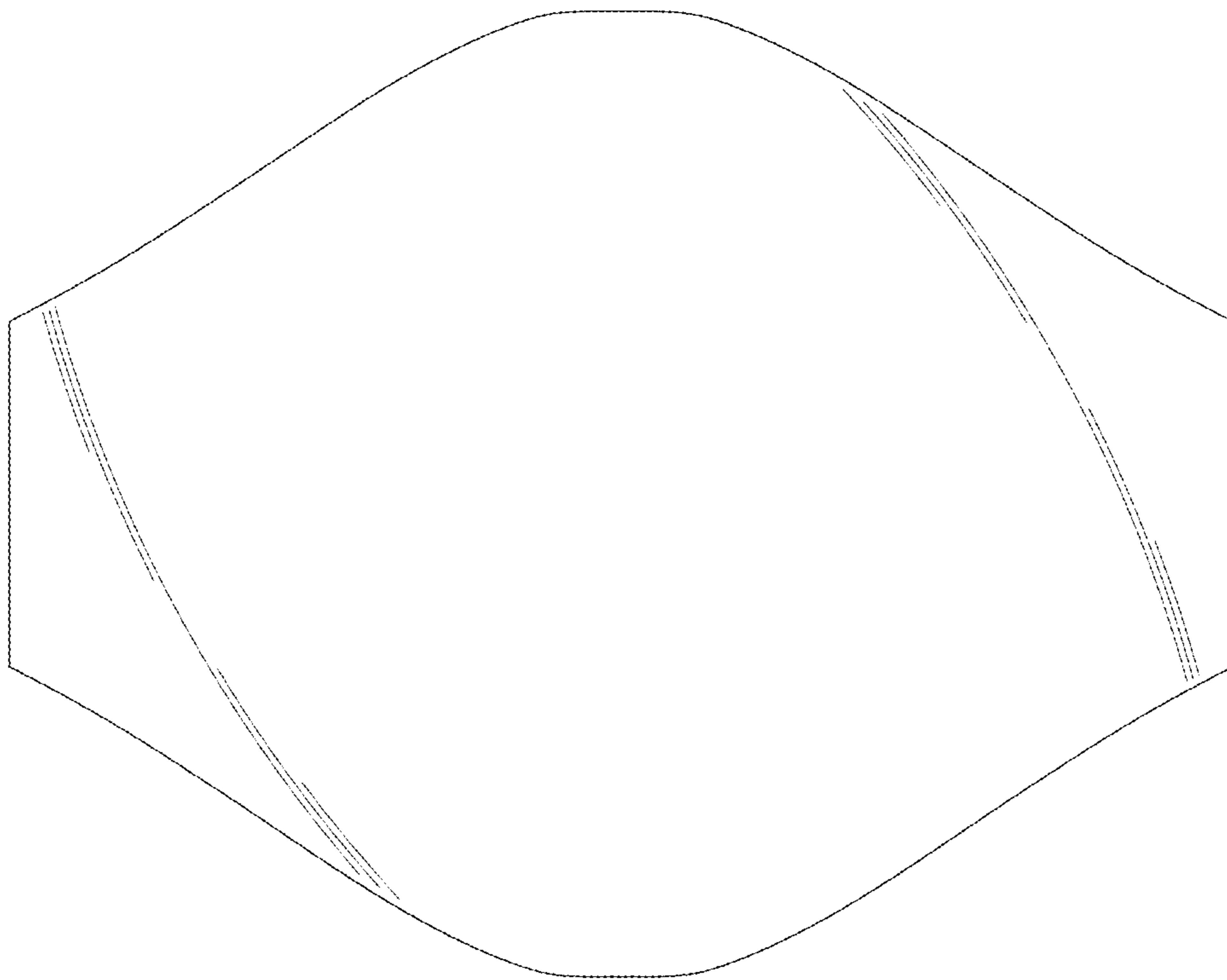




FIG. 7

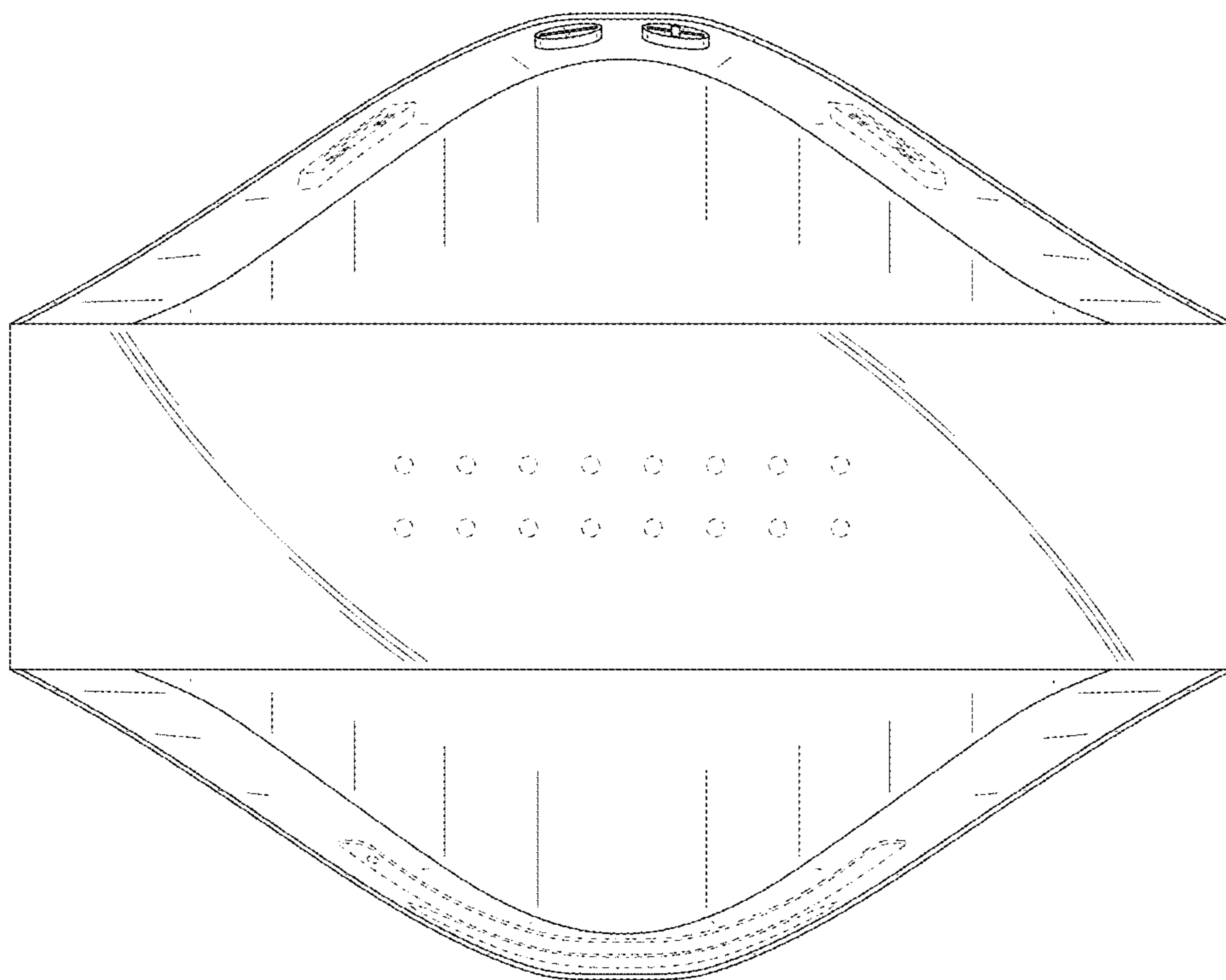


FIG. 8

