



US00D826931S

(12) **United States Design Patent** (10) **Patent No.:** **US D826,931 S**  
**Chang** (45) **Date of Patent:** **\*\* Aug. 28, 2018**

(54) **PORTABLE ELECTRONIC DEVICE**

D733,154 S \* 6/2015 Armstrong ..... D14/440  
D743,392 S \* 11/2015 Ju ..... D14/341  
D746,278 S \* 12/2015 Chen ..... D14/341

(71) Applicant: **GETAC TECHNOLOGY CORPORATION**, Hsinchu County (TW)

(Continued)

**FOREIGN PATENT DOCUMENTS**

(72) Inventor: **Chia-Wei Chang**, Taipei (TW)

EM 004118057-0001 \* 7/2017

(73) Assignee: **GETAC TECHNOLOGY CORPORATION**, Hsinchu County

**OTHER PUBLICATIONS**

(\*\*) Term: **15 Years**

Getac A140, announced Jun. 27, 2017 [online], [retrieved Mar. 8, 2017]. Available from Internet, URL: <[http://www.ruggedpcreview.com/3\\_slates\\_getac\\_a140.html](http://www.ruggedpcreview.com/3_slates_getac_a140.html)>.\*

(21) Appl. No.: **29/611,917**

(Continued)

(22) Filed: **Jul. 26, 2017**

(51) **LOC (11) Cl.** ..... **14-02**

(52) **U.S. Cl.**  
USPC ..... **D14/341**

(58) **Field of Classification Search**  
USPC ..... D14/341-347, 315-318, 420, 426, D14/129-130, 496, 138 G, 138 R, D14/138 AA, 248, 250, 203.7, 388-389; D10/104.4, 50, 65, 74; D21/324, 329  
CPC ..... G06F 1/1626; G06F 1/1613; G06F 2200/1633; G06F 3/0488; G06F 3/04886; G06F 3/044; G06F 3/0412; G06F 3/0416; H04B 1/3833

See application file for complete search history.

*Primary Examiner* — Barbara Fox  
*Assistant Examiner* — Dana K Weiland

(57) **CLAIM**

The ornamental design for a portable electronic device, as shown and described.

**DESCRIPTION**

FIG. 1 is a perspective view of a portable electronic device showing the claimed design;  
FIG. 2 is a front elevational view thereof;  
FIG. 3 is a rear elevational view thereof;  
FIG. 4 is a left side elevational view thereof;  
FIG. 5 is a right side elevational view thereof;  
FIG. 6 is a top plan view thereof;  
FIG. 7 is a bottom plan view thereof;  
FIG. 8 is a perspective view showing the portable electronic device in a state of use; and,  
FIG. 9 is perspective view showing the portable electronic device in an alternate state of use.

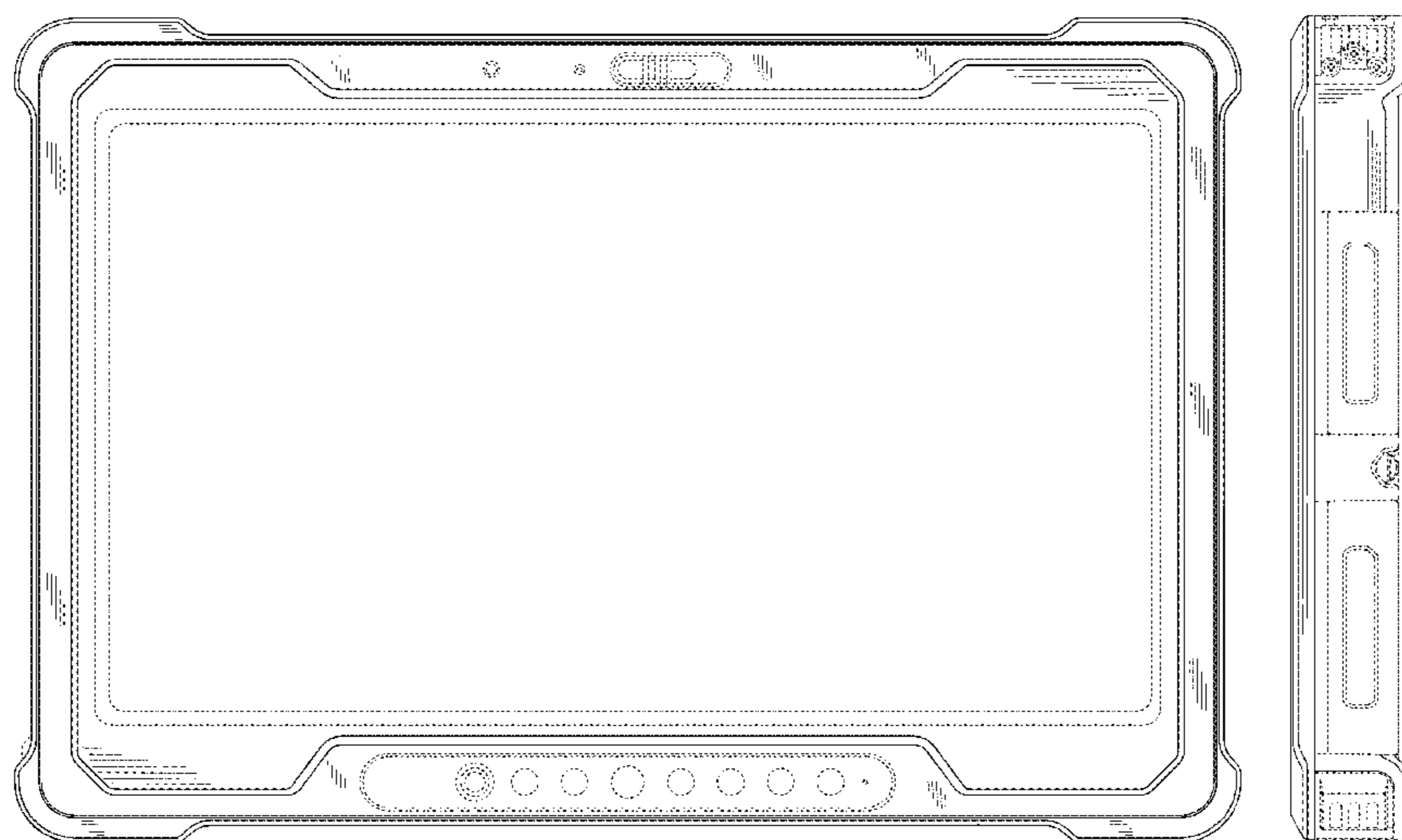
The broken line handle shown in FIGS. 8 and 9 depicts environment and forms no part of the claimed design. The remaining broken lines shown in the drawings depict portions of the portable electronic device that form no part of the claimed design.

**1 Claim, 7 Drawing Sheets**

(56) **References Cited**

**U.S. PATENT DOCUMENTS**

D571,235 S \* 6/2008 Stevens ..... D10/65  
D574,272 S \* 8/2008 Stevens ..... D10/65  
D602,933 S \* 10/2009 Huang ..... D14/346  
D611,467 S \* 3/2010 Gou ..... D14/315  
D626,123 S \* 10/2010 Peng ..... D14/324  
D641,018 S \* 7/2011 Lee ..... D14/341  
D676,043 S \* 2/2013 Hirose ..... D14/341  
D703,665 S \* 4/2014 Suzuki ..... D14/341  
D719,565 S \* 12/2014 Hirayama ..... D14/341  
D729,644 S \* 5/2015 Browning ..... D10/65



(56)

**References Cited**

U.S. PATENT DOCUMENTS

D767,564 S *	9/2016	Li .....	D14/341
D781,284 S *	3/2017	Suzuki .....	D14/341
D783,604 S *	4/2017	Wesolek .....	D14/341
D785,617 S *	5/2017	Bidwell .....	D14/341
D785,618 S *	5/2017	Schwibner .....	D14/341
D792,886 S *	7/2017	Schwibner .....	D14/440
D793,383 S *	8/2017	Cai .....	D14/341
D801,976 S *	11/2017	Li .....	D14/440
D803,220 S *	11/2017	Li .....	D14/440
D806,083 S *	12/2017	Armstrong .....	D14/440
D818,466 S *	5/2018	Chang .....	D14/341
2018/0049332 A1 *	2/2018	Chang .....	H05K 5/023

OTHER PUBLICATIONS

The Getac A140 fully rugged tablet, announced Jul. 15, 2017 [online], [retrieved Mar. 8, 2017]. Available from Internet, URL: <<https://web.archive.org/web/20170715173406/http://en.getac.com/tablets/a140/features.html>>.\*

\* cited by examiner

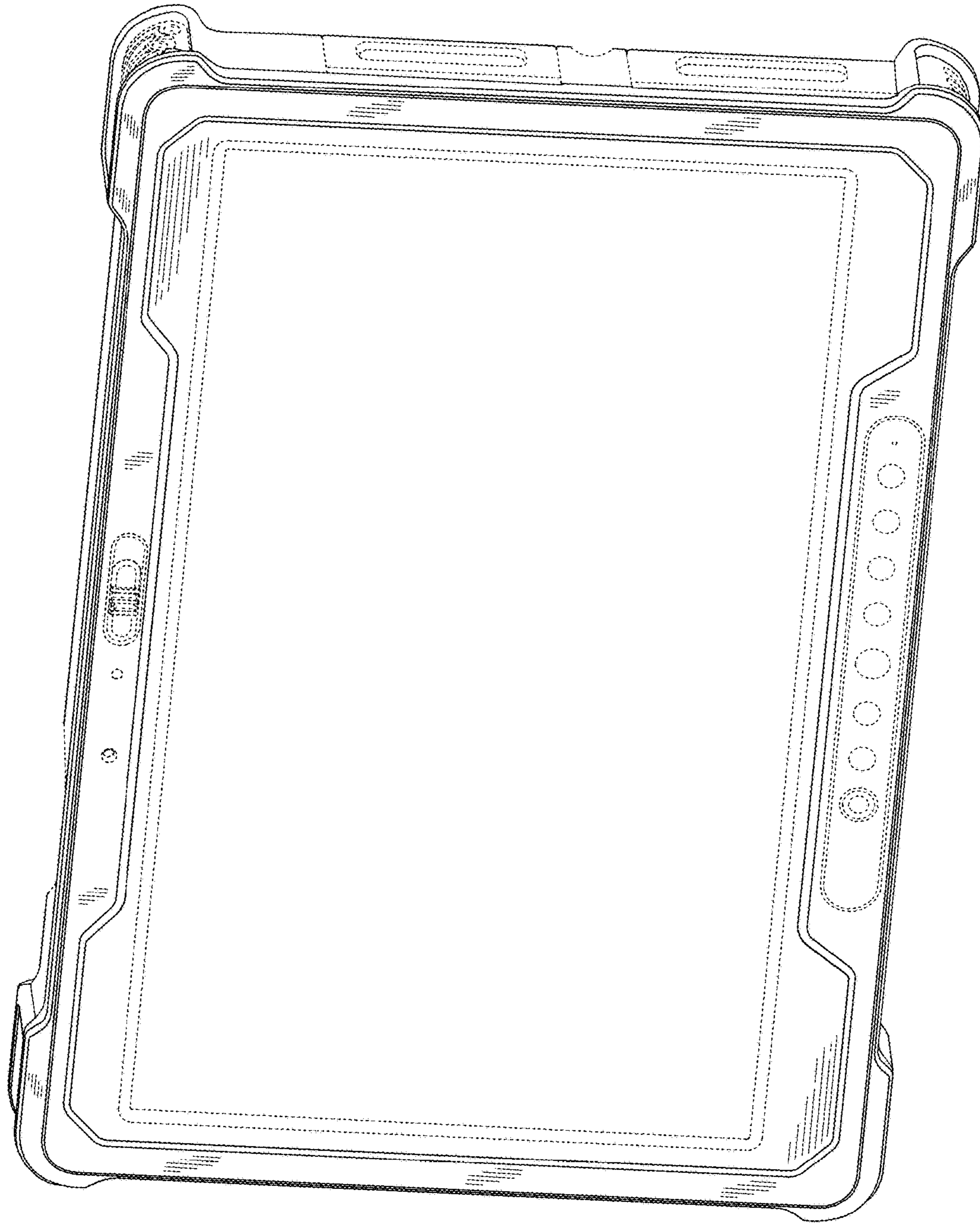


FIG.1



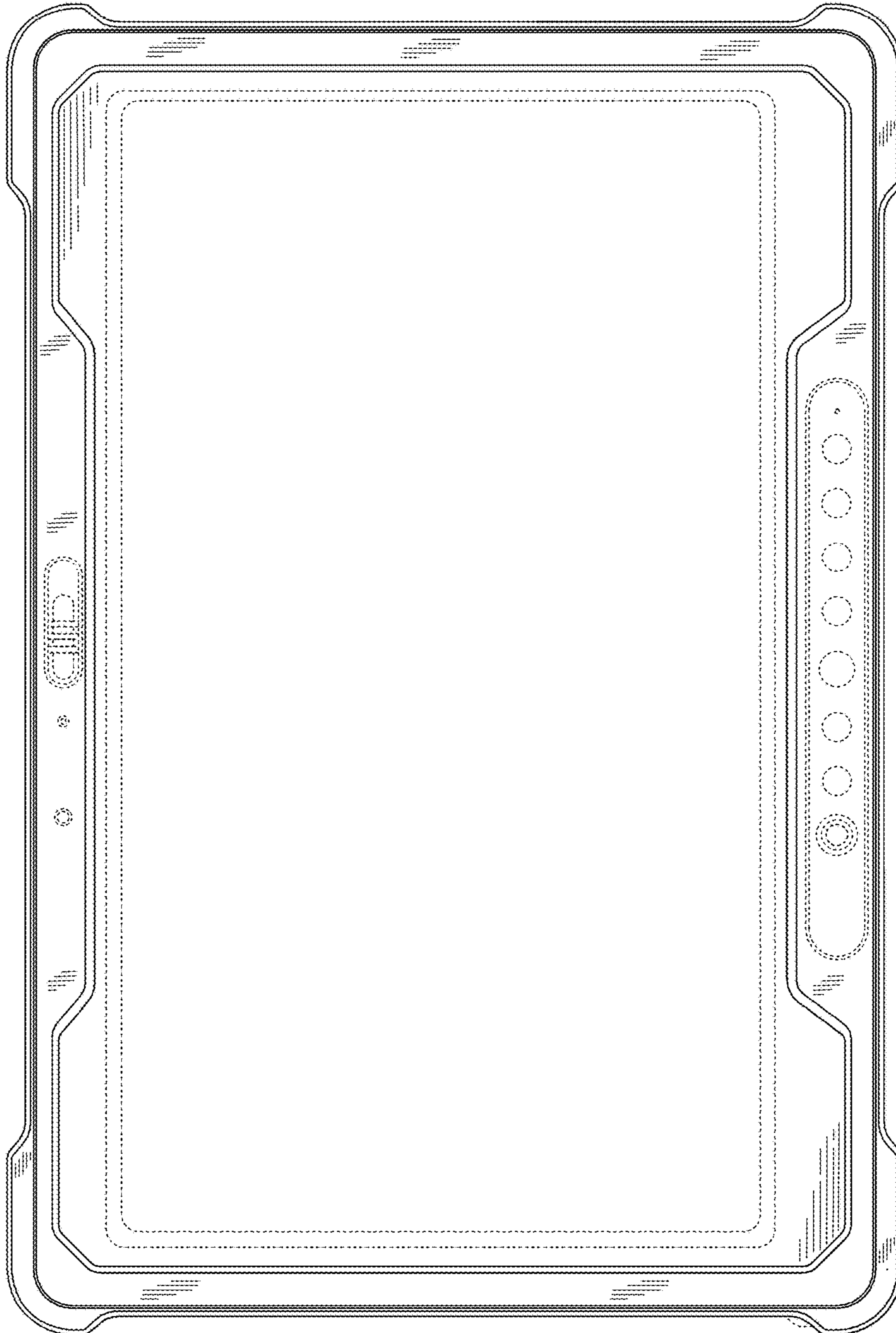


FIG.2

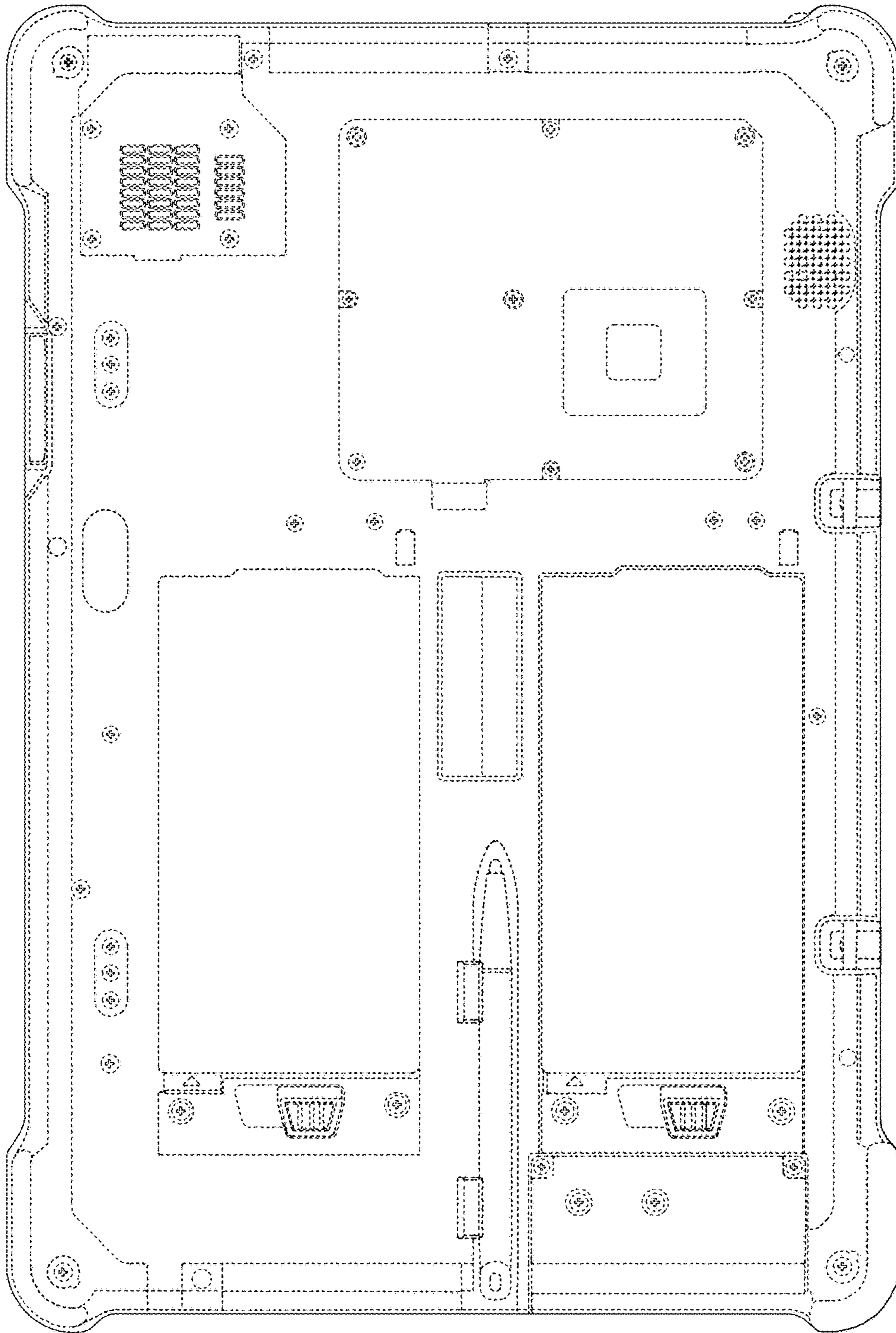


FIG. 3

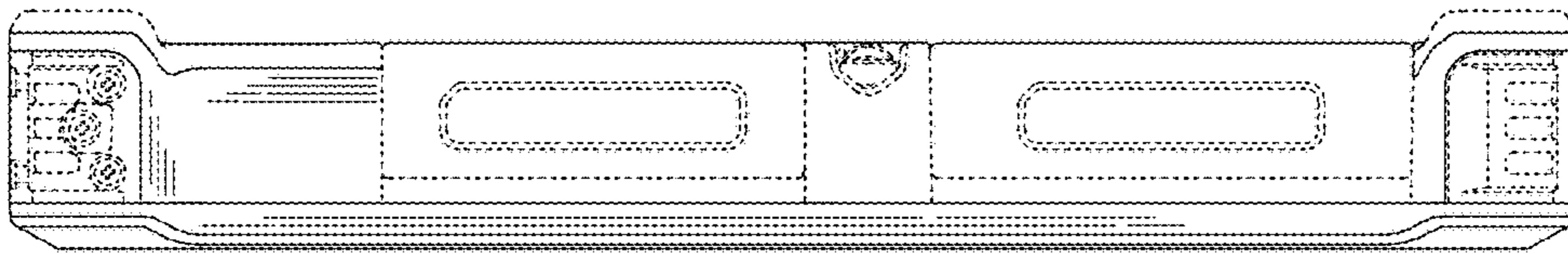


FIG. 5

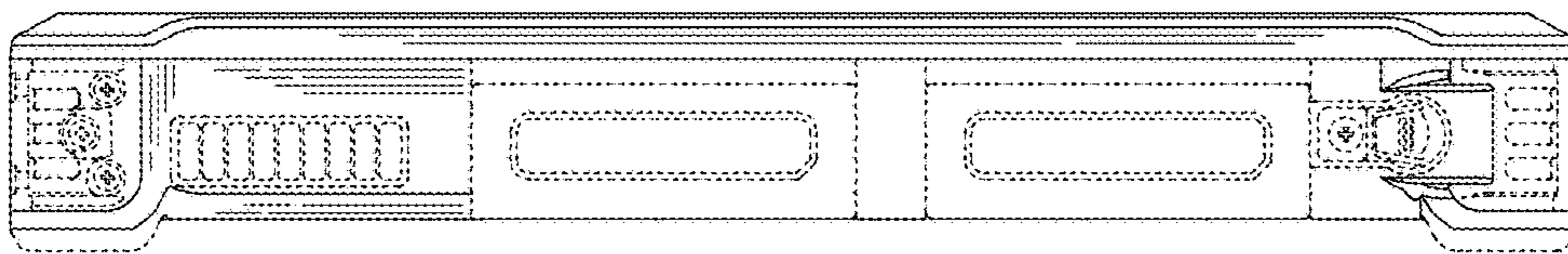


FIG. 4

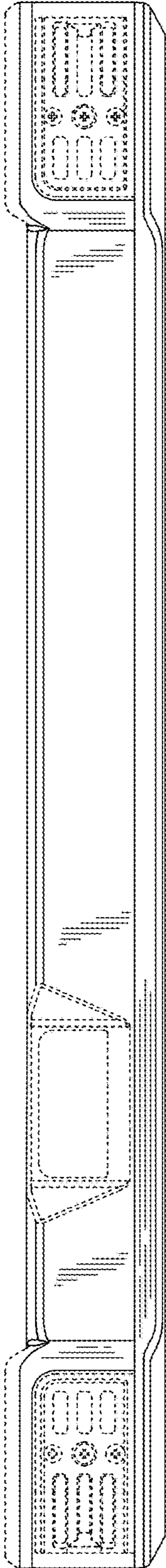


FIG. 6

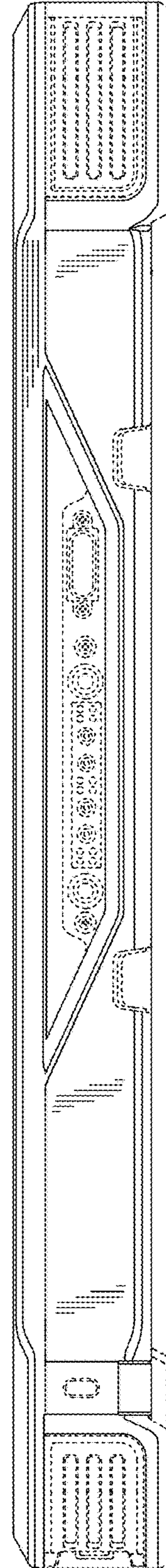


FIG. 7



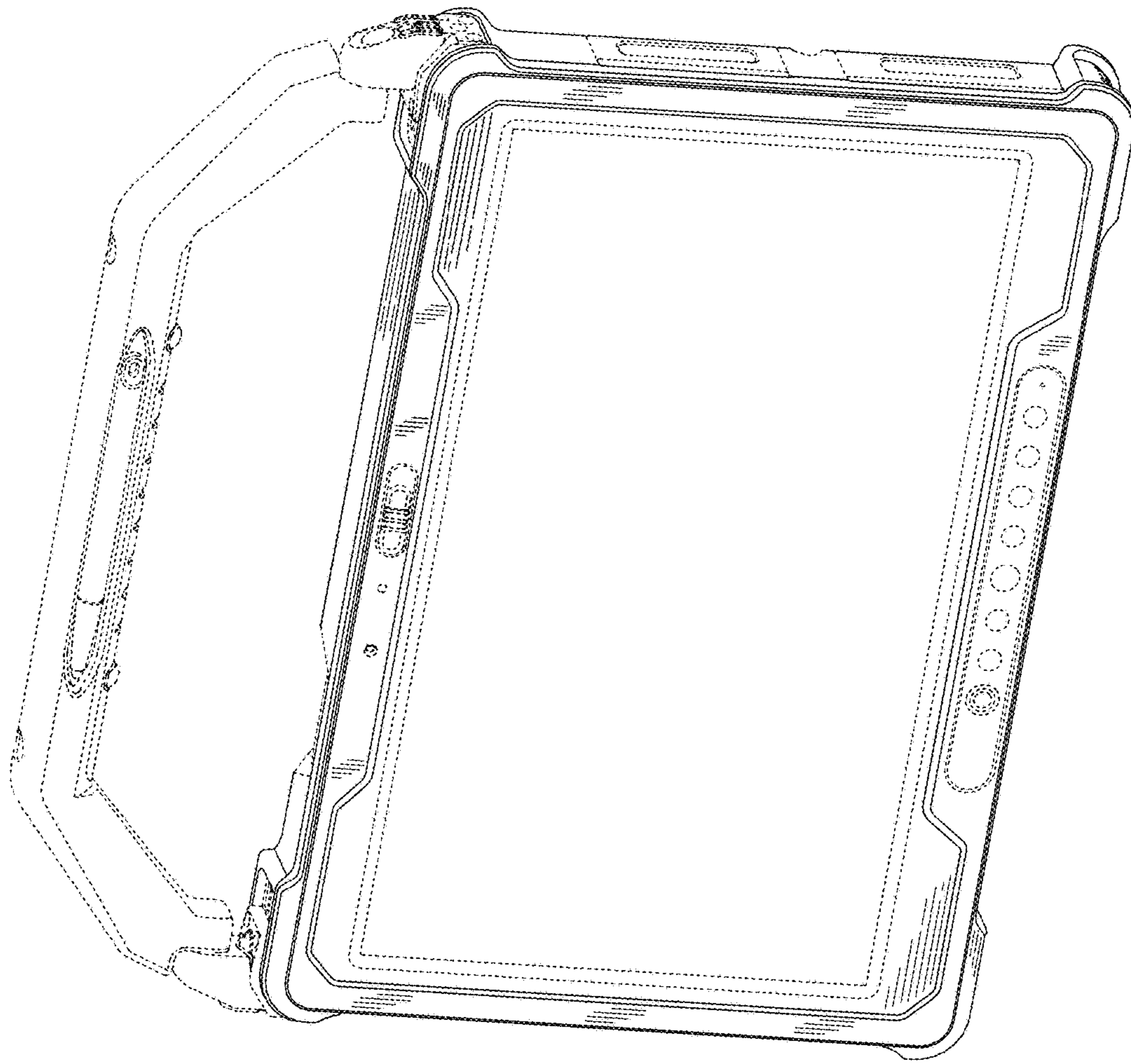


FIG. 8



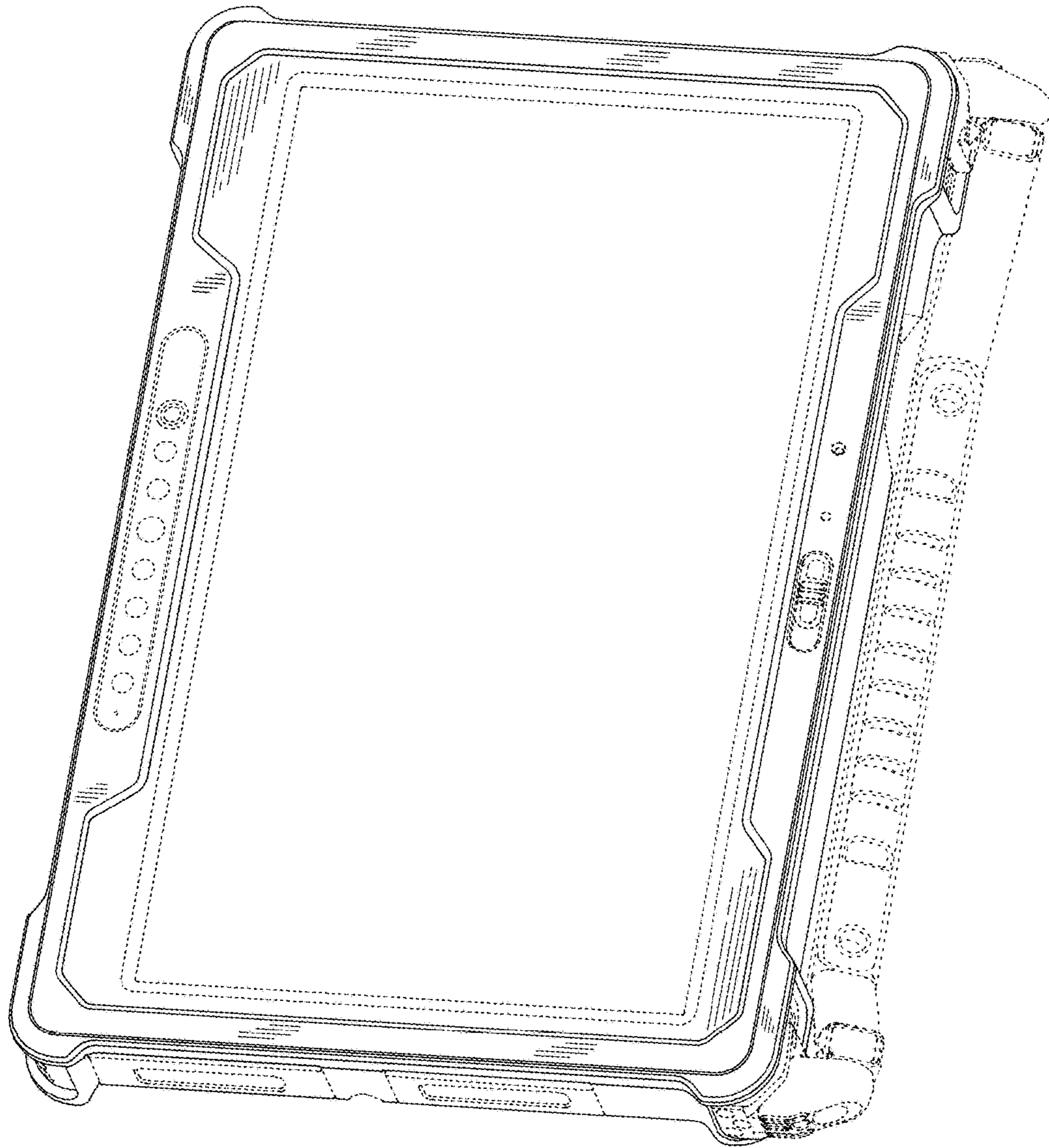


FIG. 9