



US00D826918S

(12) **United States Design Patent**
Lebovitz

(10) **Patent No.:** **US D826,918 S**
(45) **Date of Patent:** **** Aug. 28, 2018**

- (54) **AIR VENT MOUNT**
- (71) Applicant: **Yona Lebovitz**, Monroe, NY (US)
- (72) Inventor: **Yona Lebovitz**, Monroe, NY (US)
- (**) Term: **15 Years**
- (21) Appl. No.: **29/606,949**
- (22) Filed: **Jun. 8, 2017**

Related U.S. Application Data

- (63) Continuation-in-part of application No. 15/582,352, filed on Apr. 28, 2017, which is a continuation-in-part of application No. 29/595,125, filed on Feb. 24, 2017, application No. 29/606,949, filed on Jun. 8, 2017, which is a continuation-in-part of application No. 29/594,954, filed on Feb. 23, 2017, and a continuation-in-part of application No. 29/591,287, filed on Jan. 18, 2017.

- (51) **LOC (11) Cl.** **14-03**
- (52) **U.S. Cl.**
USPC **D14/253**
- (58) **Field of Classification Search**
USPC D14/251, 240, 217, 447, 253; 224/558;
248/205.3
CPC H04B 1/3888; H04M 1/0283; A45C 1/06;
H05K 5/0204
See application file for complete search history.

(56) **References Cited**

U.S. PATENT DOCUMENTS

- D482,039 S * 11/2003 Chen D14/447
- D681,420 S * 5/2013 Ileuov D8/354
- D690,707 S * 10/2013 Minn B60R 11/0241
D14/447
- D696,673 S * 12/2013 Vogel D14/447
- D720,759 S * 1/2015 Deng D14/447

- D723,573 S * 3/2015 Padro D14/447
- D726,175 S * 4/2015 Tsai D12/415
- D753,643 S * 4/2016 Kim D14/253
- D757,705 S * 5/2016 Esses D14/251
- D765,651 S * 9/2016 Liu D14/253
- D767,556 S * 9/2016 Lee D12/415
- D768,125 S * 10/2016 Kim D14/253
- D769,860 S * 10/2016 Xiao D14/253
- D778,714 S * 2/2017 McSweyn D12/415
- D781,297 S * 3/2017 Liao D14/447
- D782,462 S * 3/2017 Huang D14/253
- D783,013 S * 4/2017 Chun D14/253
- D783,014 S * 4/2017 Chun D14/253
- D783,592 S * 4/2017 Ju D14/253
- D783,593 S * 4/2017 Chen D14/253
- D789,920 S * 6/2017 Zhang D14/253
- D792,416 S * 7/2017 Tsai D14/447
- D795,240 S * 8/2017 Kaufman D14/253
- D799,466 S * 10/2017 Sukphist D14/253
- D802,404 S * 11/2017 Turksu D8/373
- D809,837 S * 2/2018 Gao D6/682.2
- D816,076 S * 4/2018 Ahn D14/253
- 9,956,923 B2 * 5/2018 Minn B60R 11/02
- 9,975,497 B2 * 5/2018 Kim B60R 11/0241

(Continued)

Primary Examiner — Cynthia R Underwood

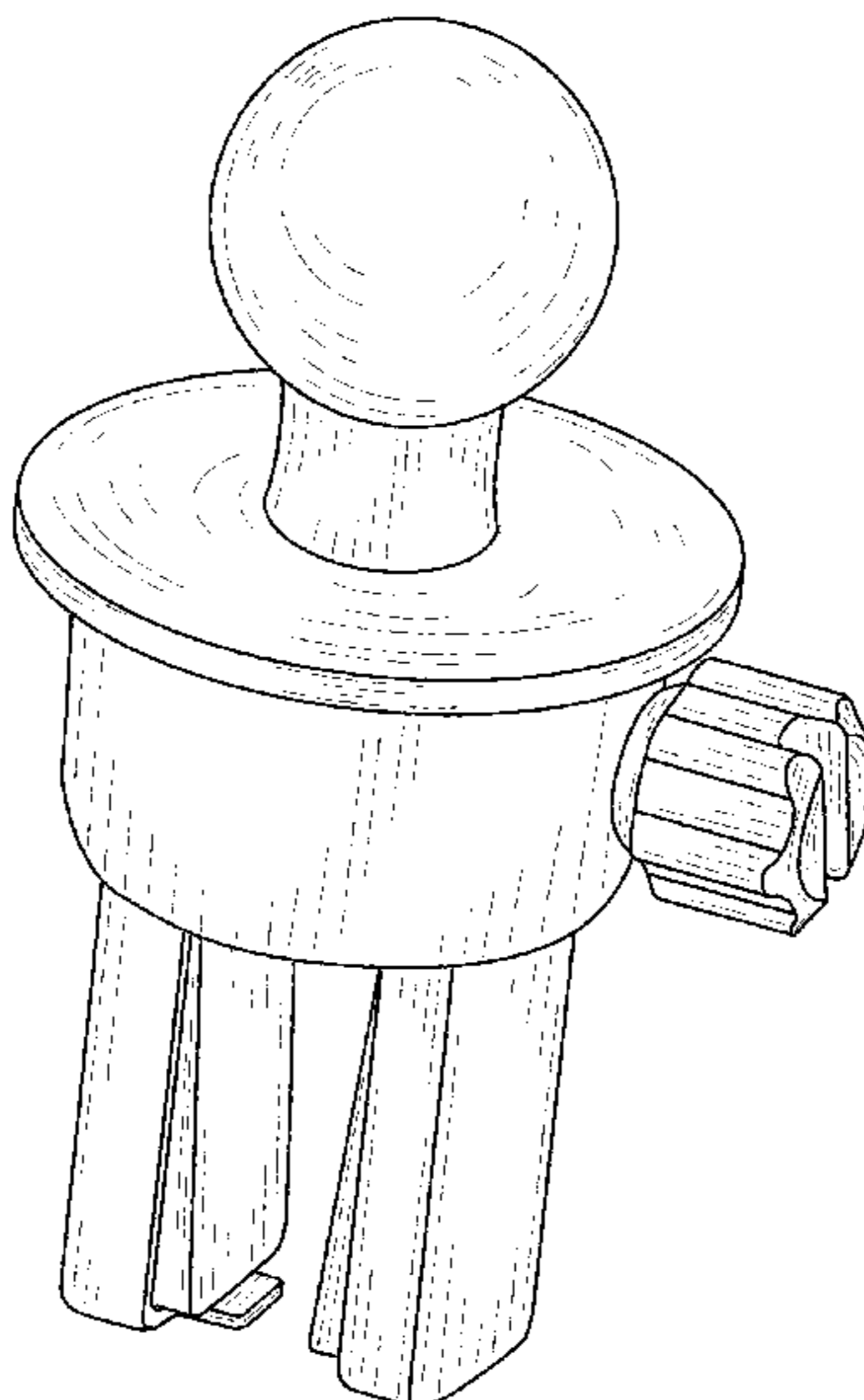
(57) **CLAIM**

The ornamental design for an air vent mount, as shown and described.

DESCRIPTION

FIG. 1 is a right side perspective view of an air vent mount; FIG. 2 is a left side perspective view thereof; FIG. 3 is a front elevational view thereof; FIG. 4 is a rear elevational view thereof; FIG. 5 is a right side elevational view thereof; FIG. 6 is a left side elevational view thereof; FIG. 7 is a top plan view thereof; and, FIG. 8 is a bottom plan view thereof.

1 Claim, 8 Drawing Sheets



(56)

References Cited

U.S. PATENT DOCUMENTS

2002/0088916 A1* 7/2002 March B60R 1/04
248/549
2013/0075563 A1* 3/2013 Tsai F16B 47/00
248/309.3
2014/0138419 A1* 5/2014 Minn B60R 11/0241
224/567
2016/0082893 A1* 3/2016 Ormsbee B60R 11/0241
224/558

* cited by examiner

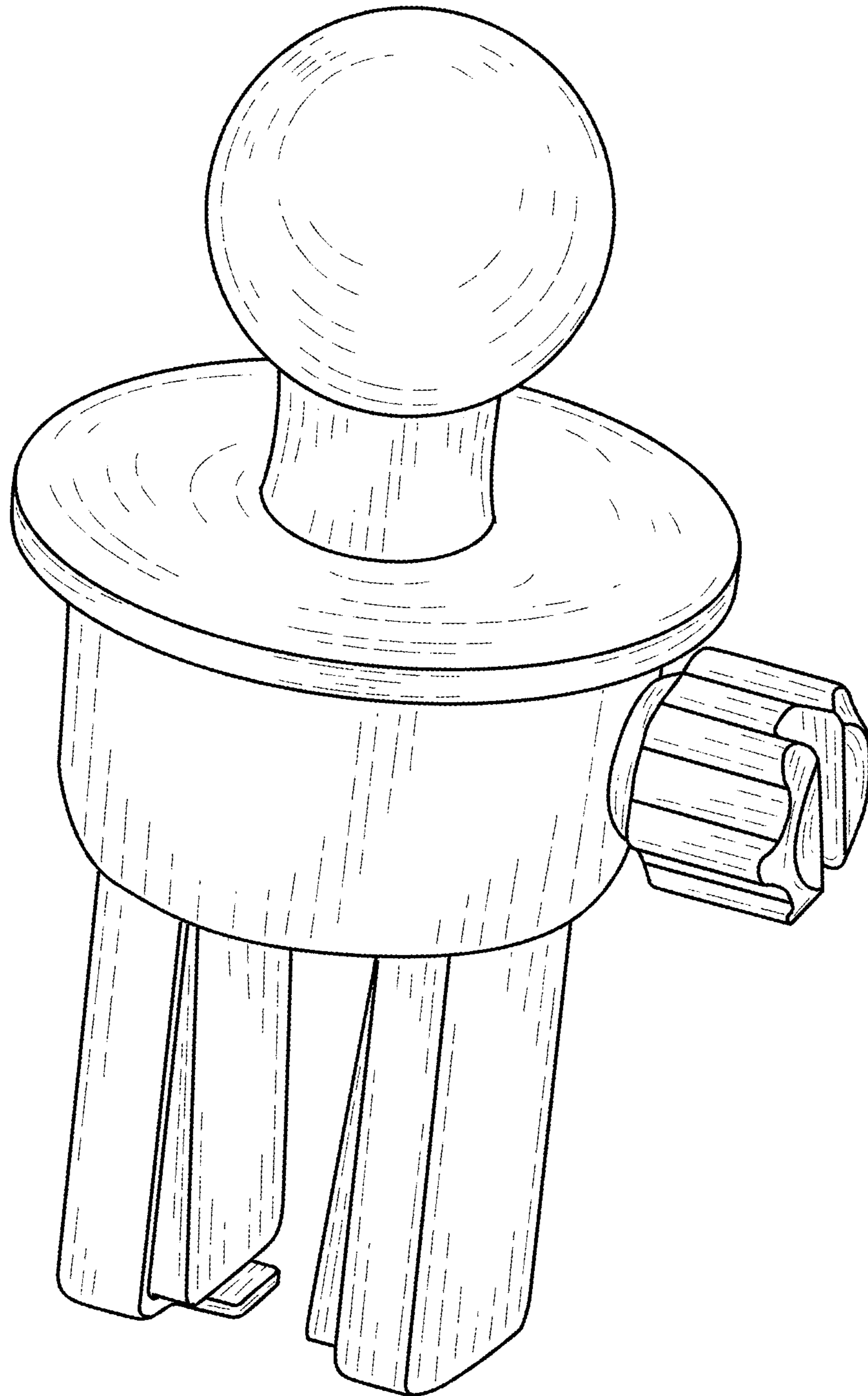


FIG. 1

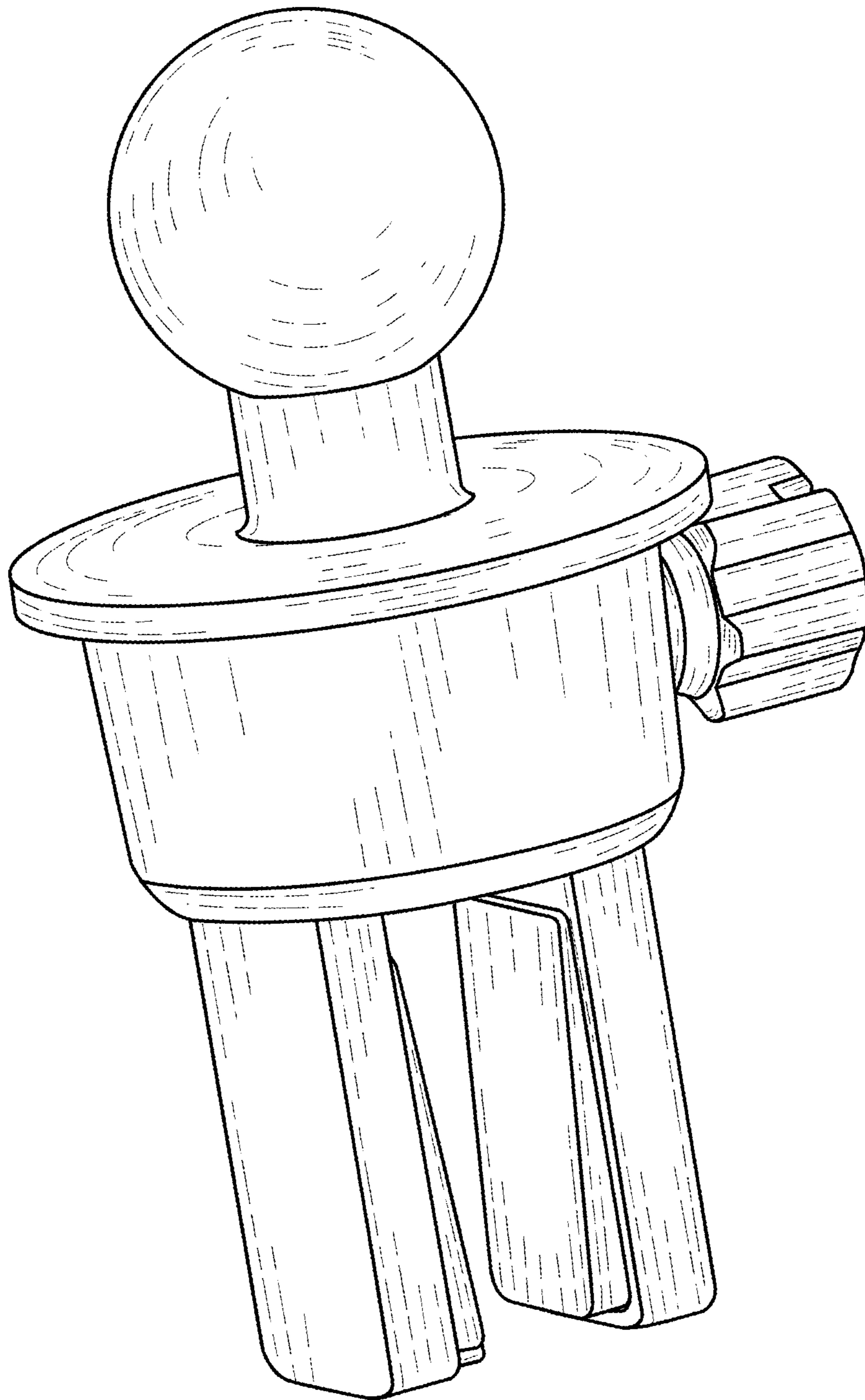


FIG. 2

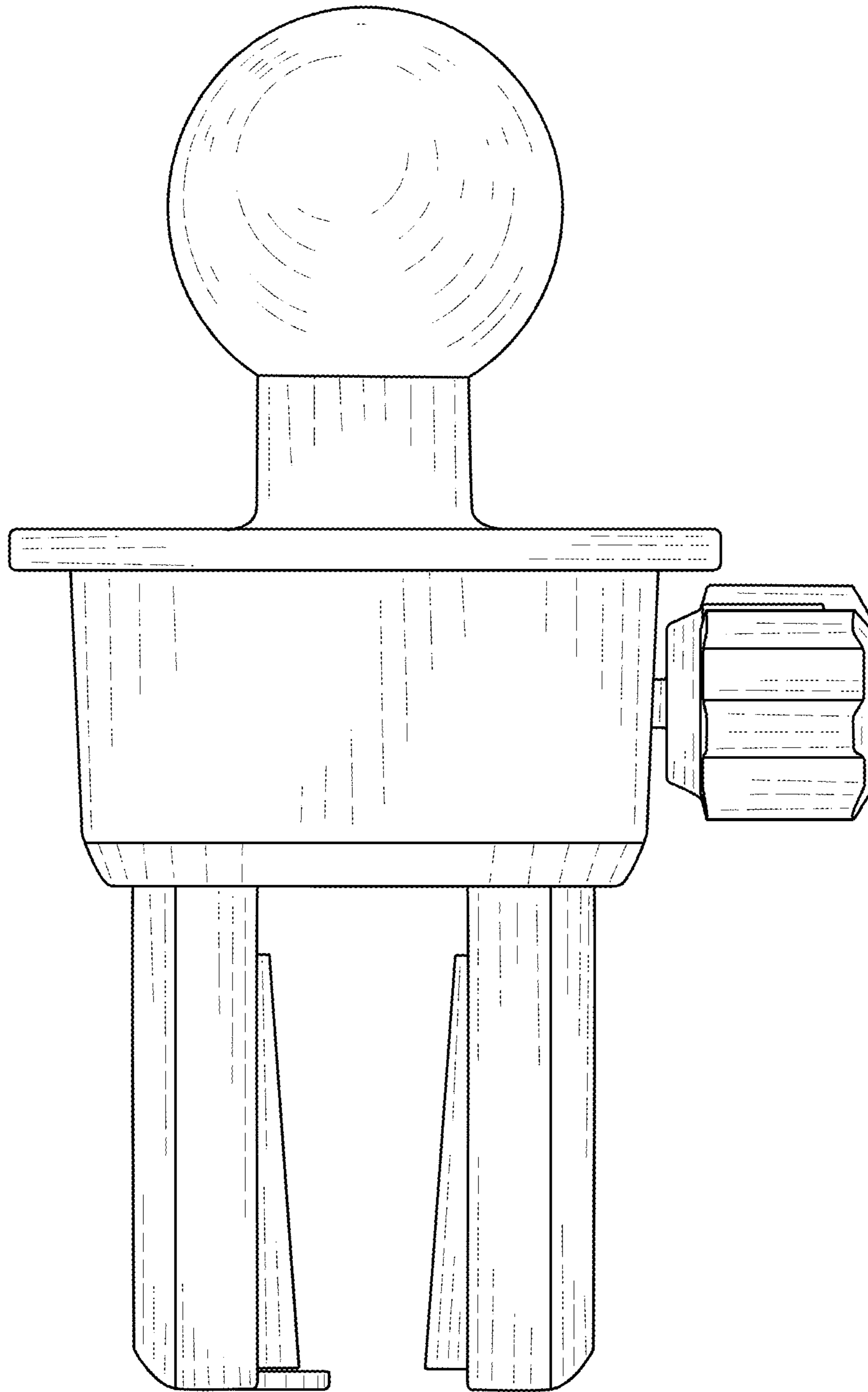


FIG. 3

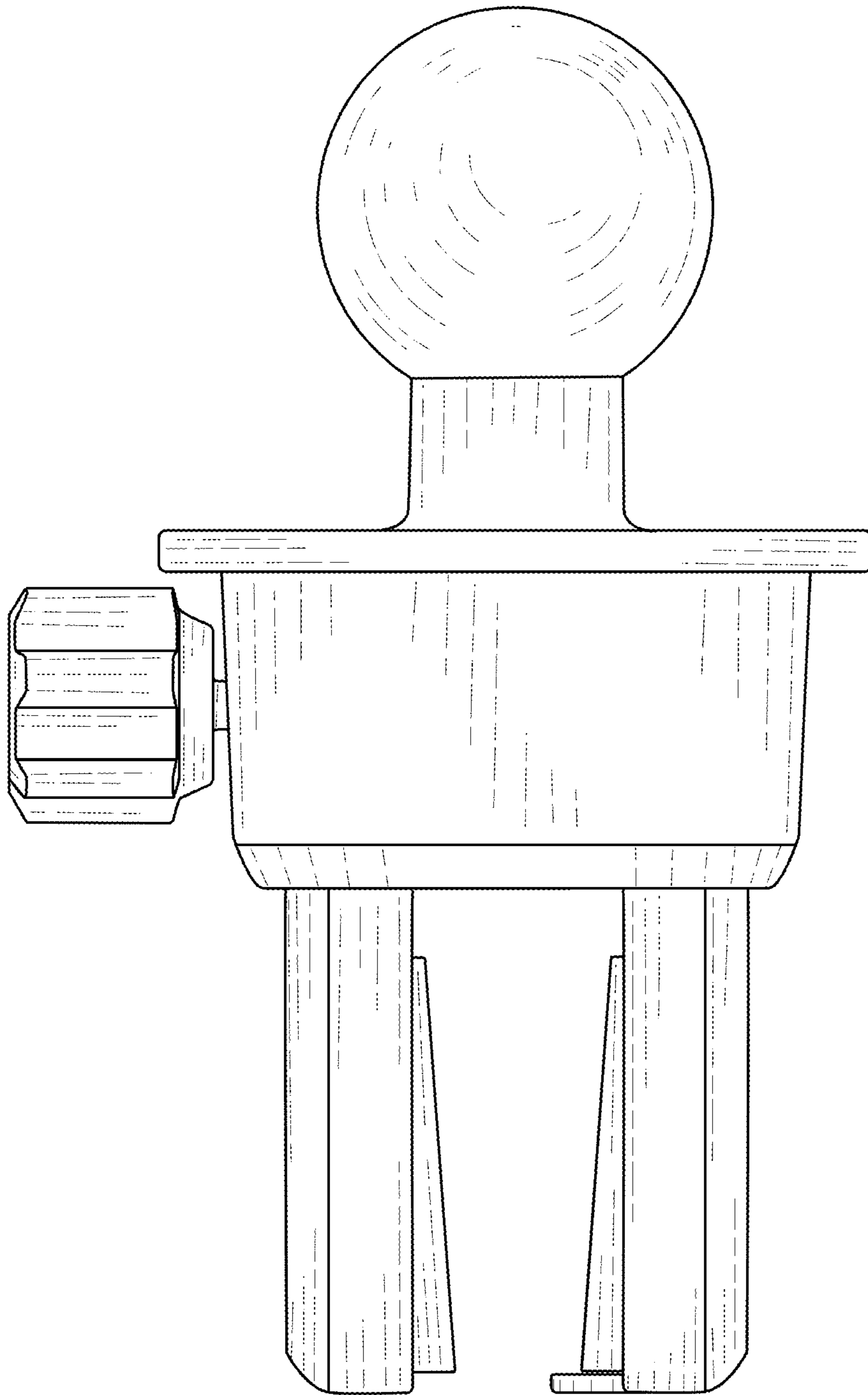


FIG. 4

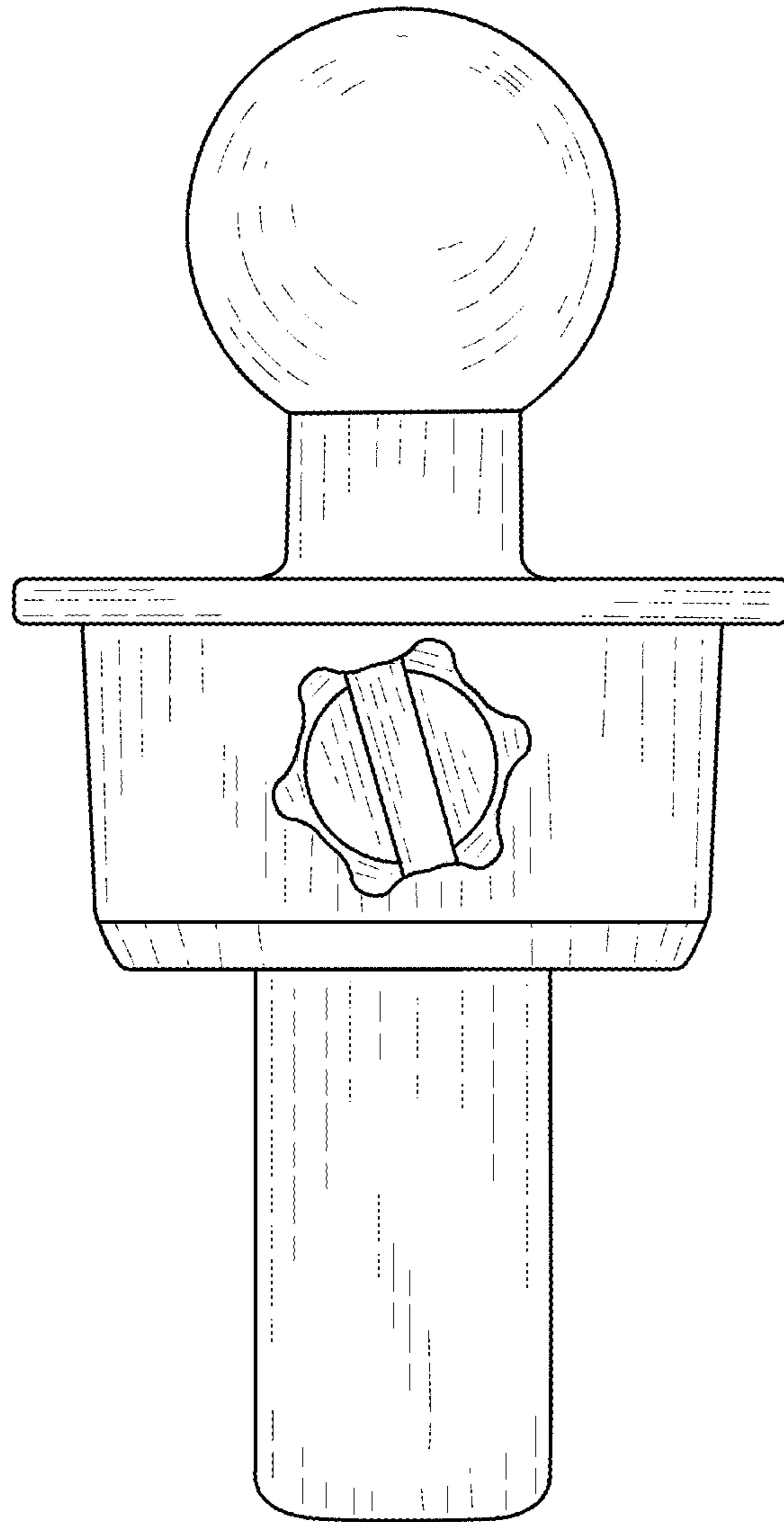


FIG. 5

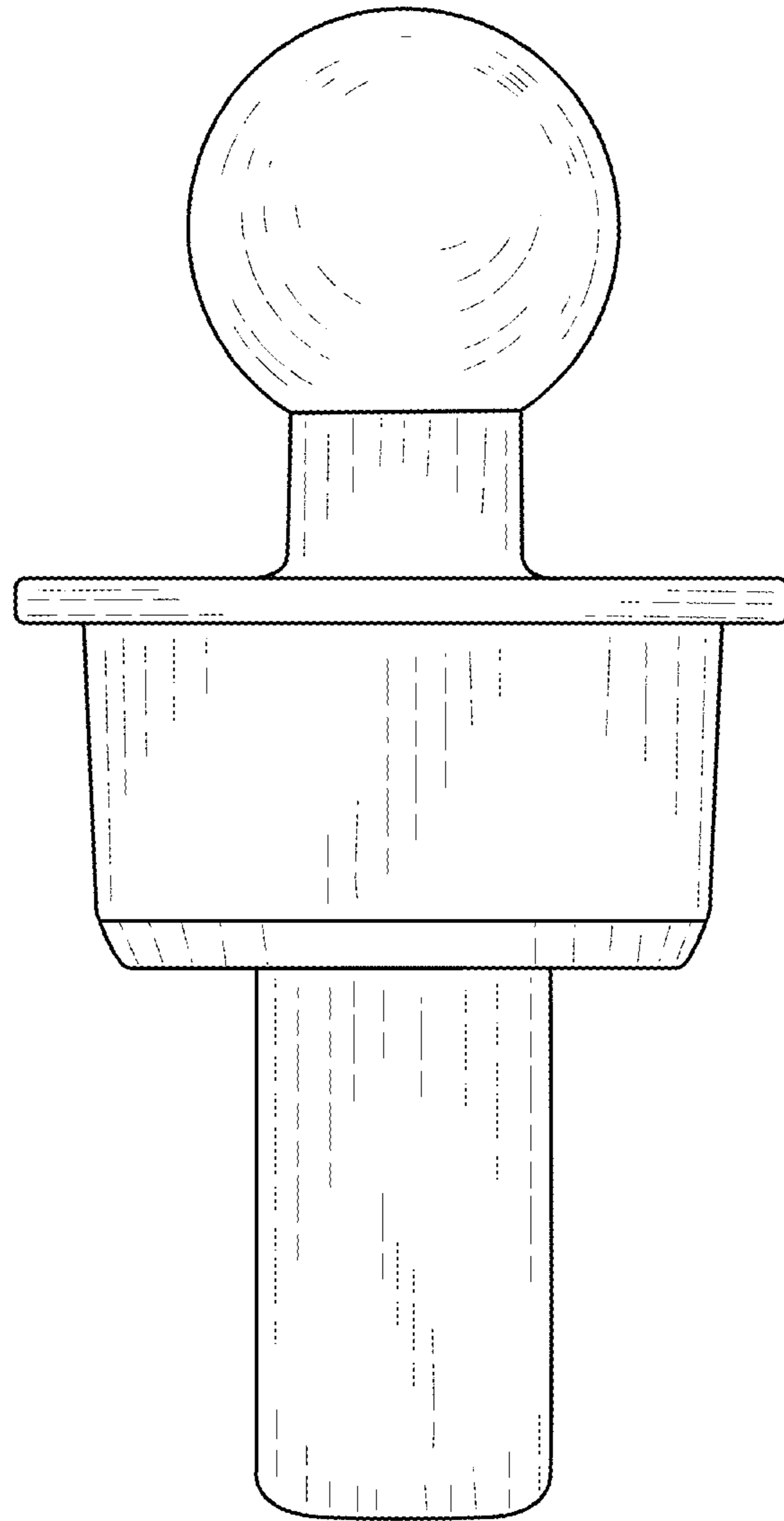


FIG. 6

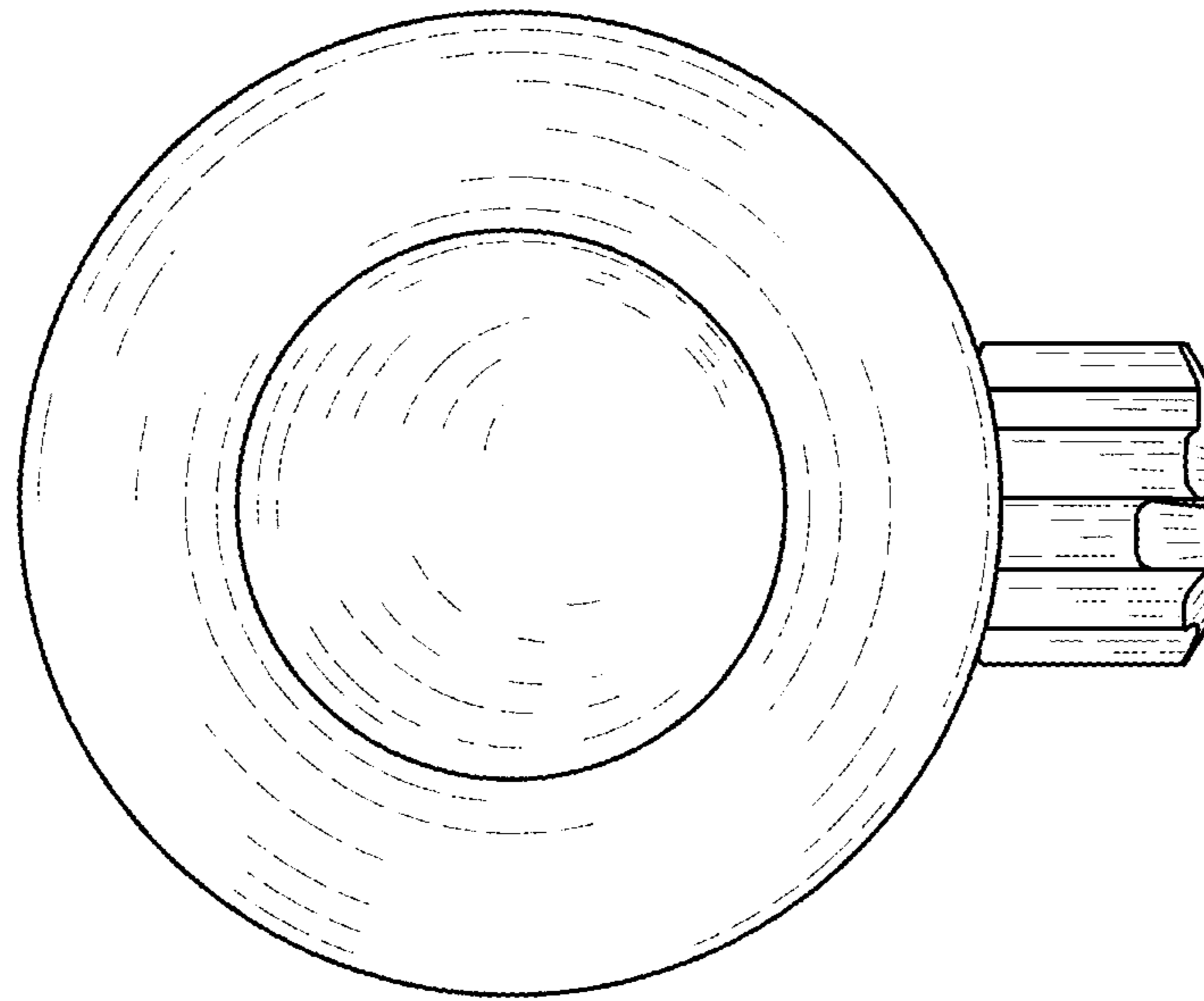


FIG. 7

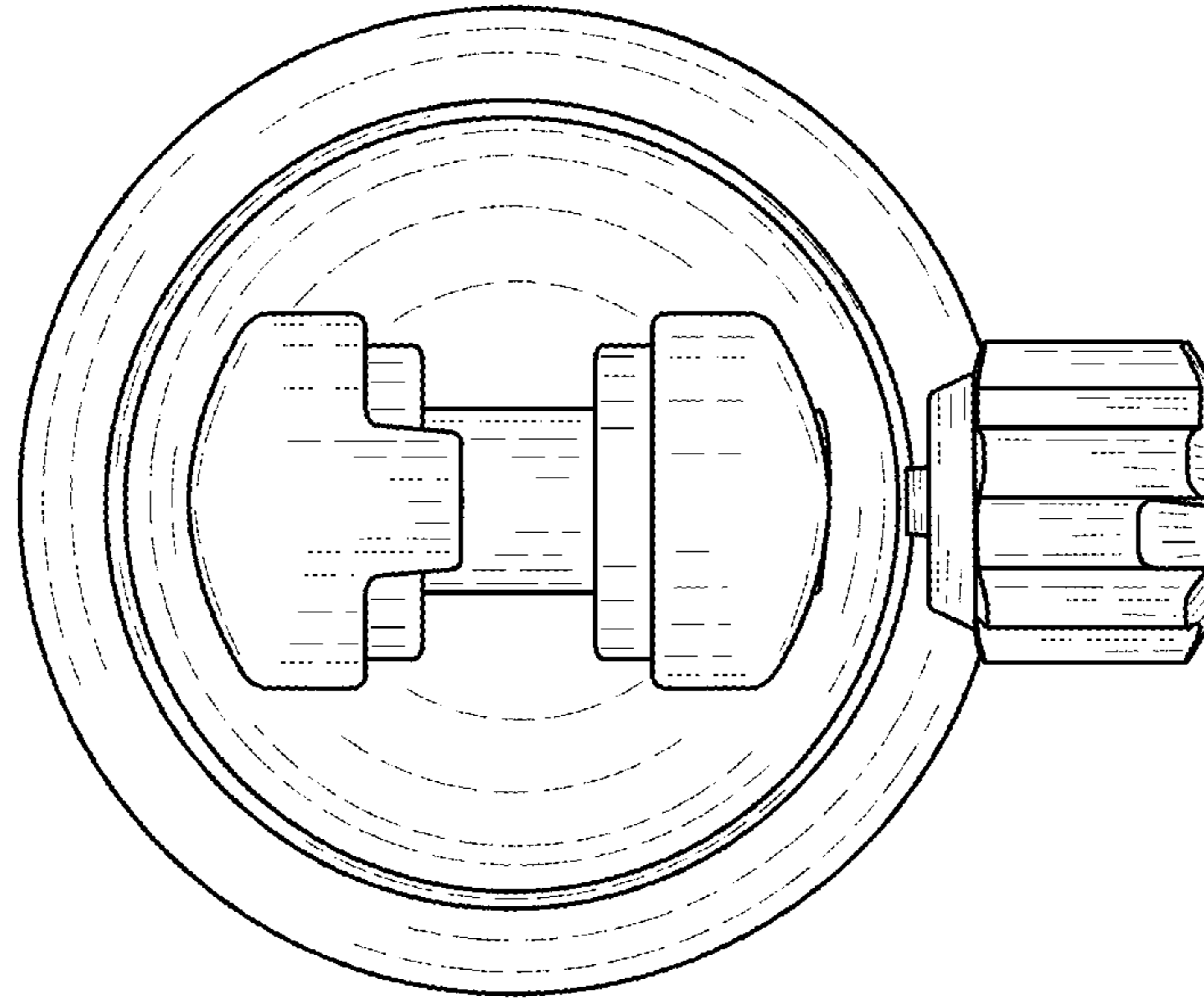


FIG. 8