



US00D826917S

(12) **United States Design Patent**
Zhong

(10) **Patent No.:** **US D826,917 S**

(45) **Date of Patent:** **** Aug. 28, 2018**

(54) **HAND STRAP FOR MOBILE COMPUTER**

(71) Applicant: **GETAC TECHNOLOGY CORPORATION**, Hsinchu County (TW)

(72) Inventor: **Shi-Liang Zhong**, Taipei (TW)

(73) Assignee: **GETAC TECHNOLOGY CORPORATION**, Hsinchu County (TW)

(**) Term: **15 Years**

(21) Appl. No.: **29/586,397**

(22) Filed: **Dec. 2, 2016**

(51) **LOC (11) Cl.** **14-03**

(52) **U.S. Cl.**
USPC **D14/253**

(58) **Field of Classification Search**
USPC D14/251, 240, 217, 447, 253, 496, 250,
D14/440; 224/558, 577; 248/205.3;
D16/200, 244
CPC H04B 1/3888; H04M 1/0283; H04M 1/04;
A45C 1/06; H05K 5/0204; F16M 13/00;
G06F 1/1632; A45F 5/10
See application file for complete search history.

(56) **References Cited**

U.S. PATENT DOCUMENTS

D639,816 S *	6/2011	Bau	D14/447
D689,479 S *	9/2013	Soffer	D14/253
D716,287 S *	10/2014	Ambriz	D14/253
D721,376 S *	1/2015	Lee	D14/440
D723,536 S *	3/2015	Werth	D14/253
D729,223 S *	5/2015	Haarburger	D14/253
D738,873 S *	9/2015	Kim	D14/253
D745,014 S *	12/2015	Vales	D14/447

(Continued)

Primary Examiner — Cynthia R Underwood

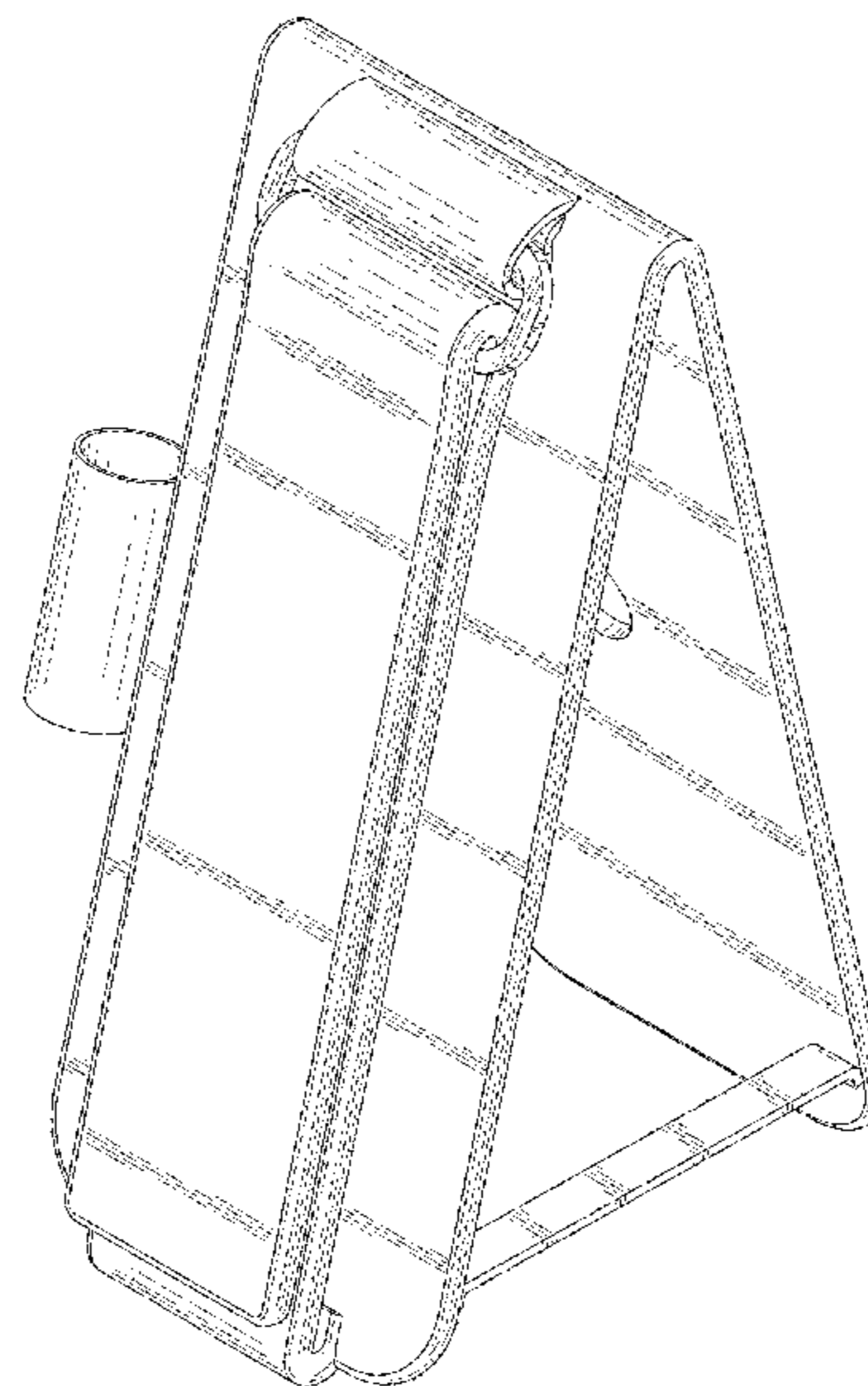
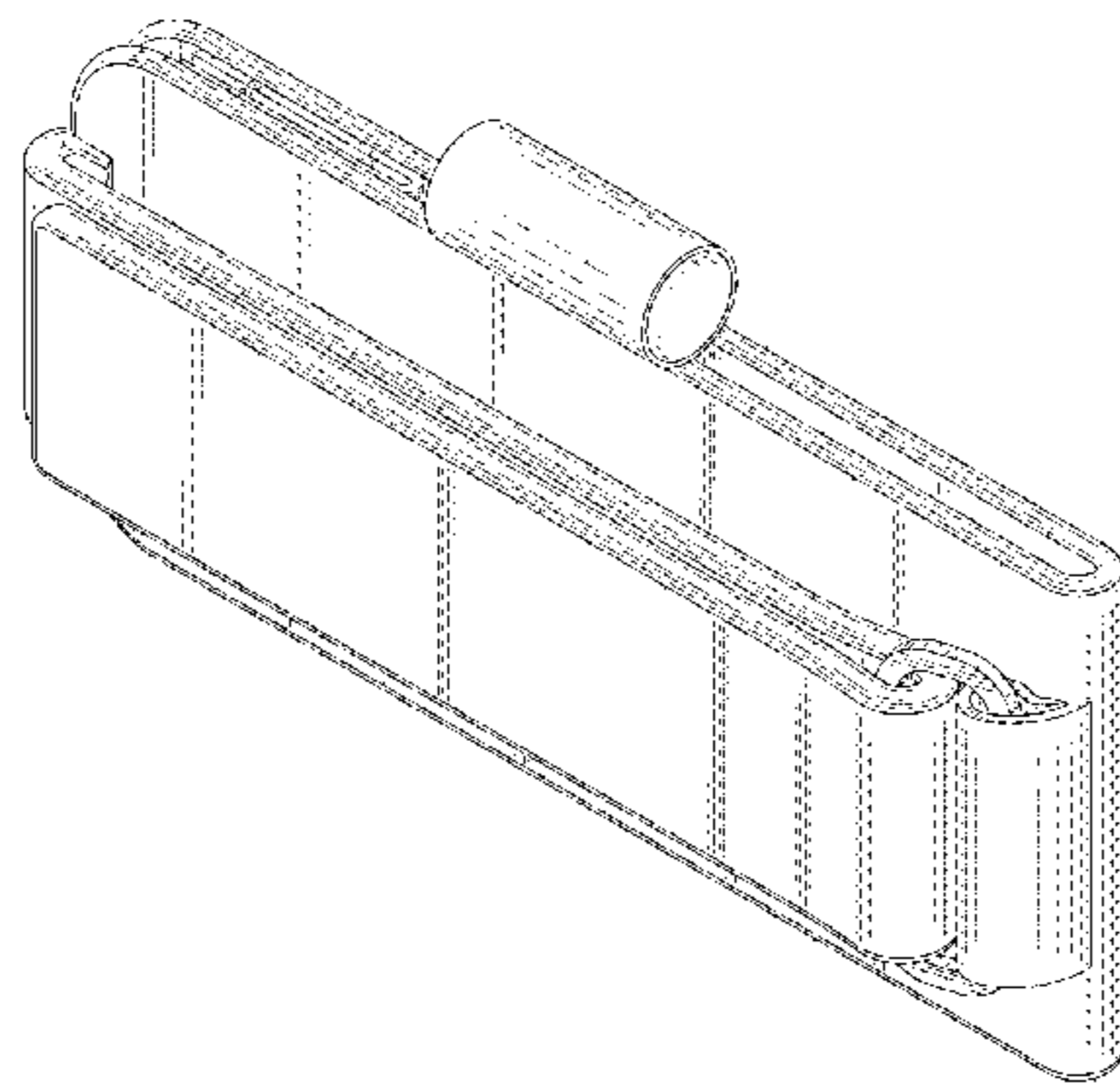
(57) **CLAIM**

The ornamental design for a hand strap for mobile computer, as shown and described.

DESCRIPTION

FIG. 1 is a top front right perspective view showing on my new design;
 FIG. 2 is a bottom rear left perspective view thereof;
 FIG. 3 is a front view thereof;
 FIG. 4 is a rear view thereof;
 FIG. 5 is a left side view thereof;
 FIG. 6 is a right side view thereof;
 FIG. 7 is a top view thereof;
 FIG. 8 is a bottom view thereof;
 FIG. 9 is a top front right perspective view thereof in the expand state;
 FIG. 10 is a bottom rear left perspective view thereof in the expand state;
 FIG. 11 is a front view thereof in the expand state;
 FIG. 12 is a rear view thereof in the expand state;
 FIG. 13 is a left side view thereof in the expand state;
 FIG. 14 is a right side view thereof in the expand state;
 FIG. 15 is a top view thereof in the expand state;
 FIG. 16 is a bottom view thereof in the expand state;
 FIG. 17 is a top front right perspective view thereof with a mobile computer;
 FIG. 18 is a bottom rear left perspective view thereof with a mobile computer;
 FIG. 19 is a front view thereof with a mobile computer;
 FIG. 20 is a rear view thereof with a mobile computer;
 FIG. 21 is a left side view thereof with a mobile computer;
 FIG. 22 is a right side view thereof with a mobile computer;
 FIG. 23 is a top view thereof with a mobile computer; and,
 FIG. 24 is a bottom view thereof with a mobile computer.
 The broken lines represent an environment of use and form no part of the claim.

1 Claim, 24 Drawing Sheets



(56)

References Cited

U.S. PATENT DOCUMENTS

D749,592	S *	2/2016	Huang	D14/440
D779,478	S *	2/2017	Justiss	D14/253
D786,235	S *	5/2017	Huotari	D14/253
D794,007	S *	8/2017	Zhang	D14/250
D806,083	S *	12/2017	Armstrong	D14/440
2004/0097127	A1 *	5/2004	Smith	H04M 1/04 439/533
2008/0156836	A1 *	7/2008	Wadsworth	A45C 11/00 224/269
2012/0113572	A1 *	5/2012	Gaddis, II	G06F 1/1628 361/679.01

* cited by examiner

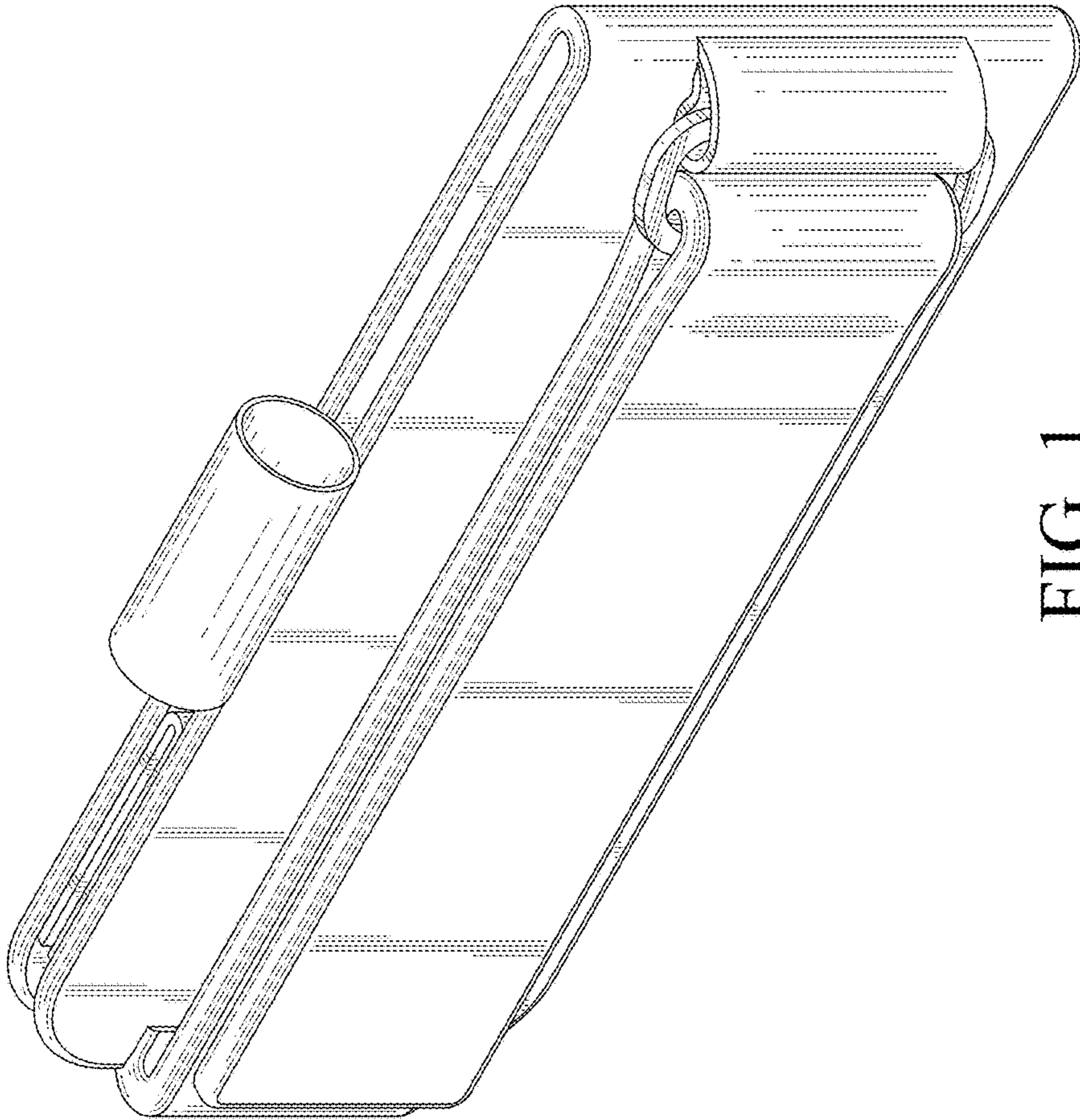


FIG. 1

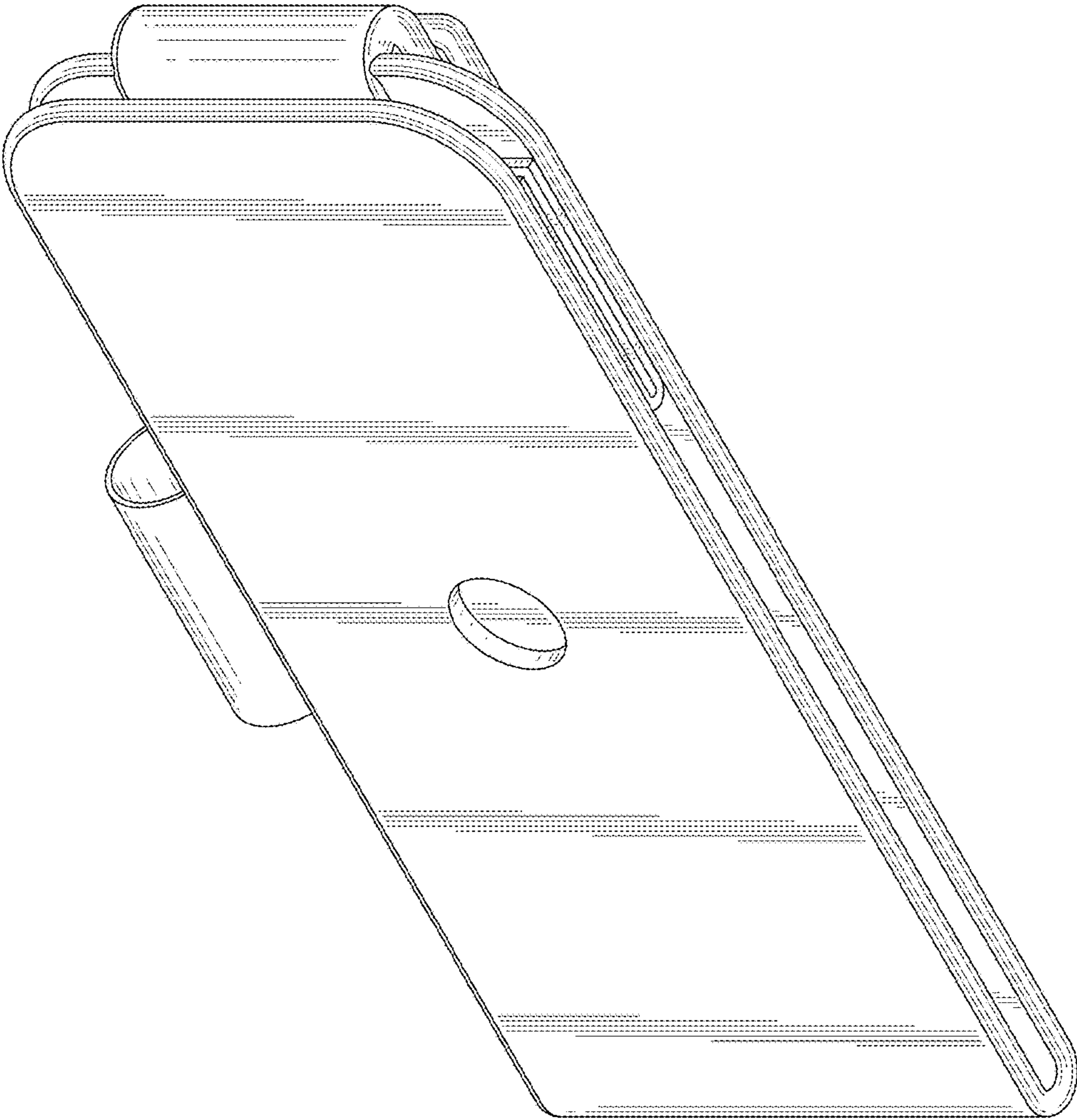


FIG. 2

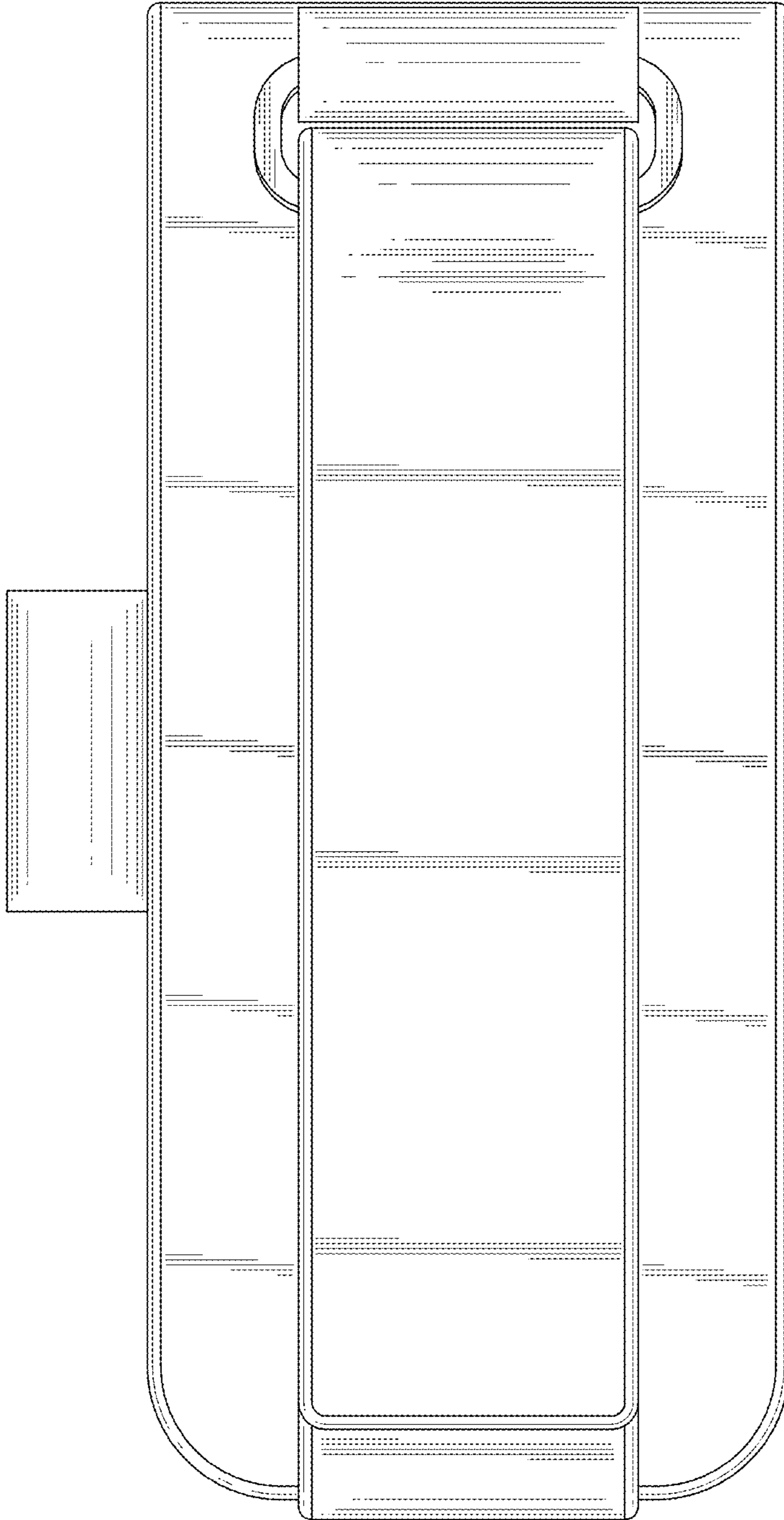


FIG. 3

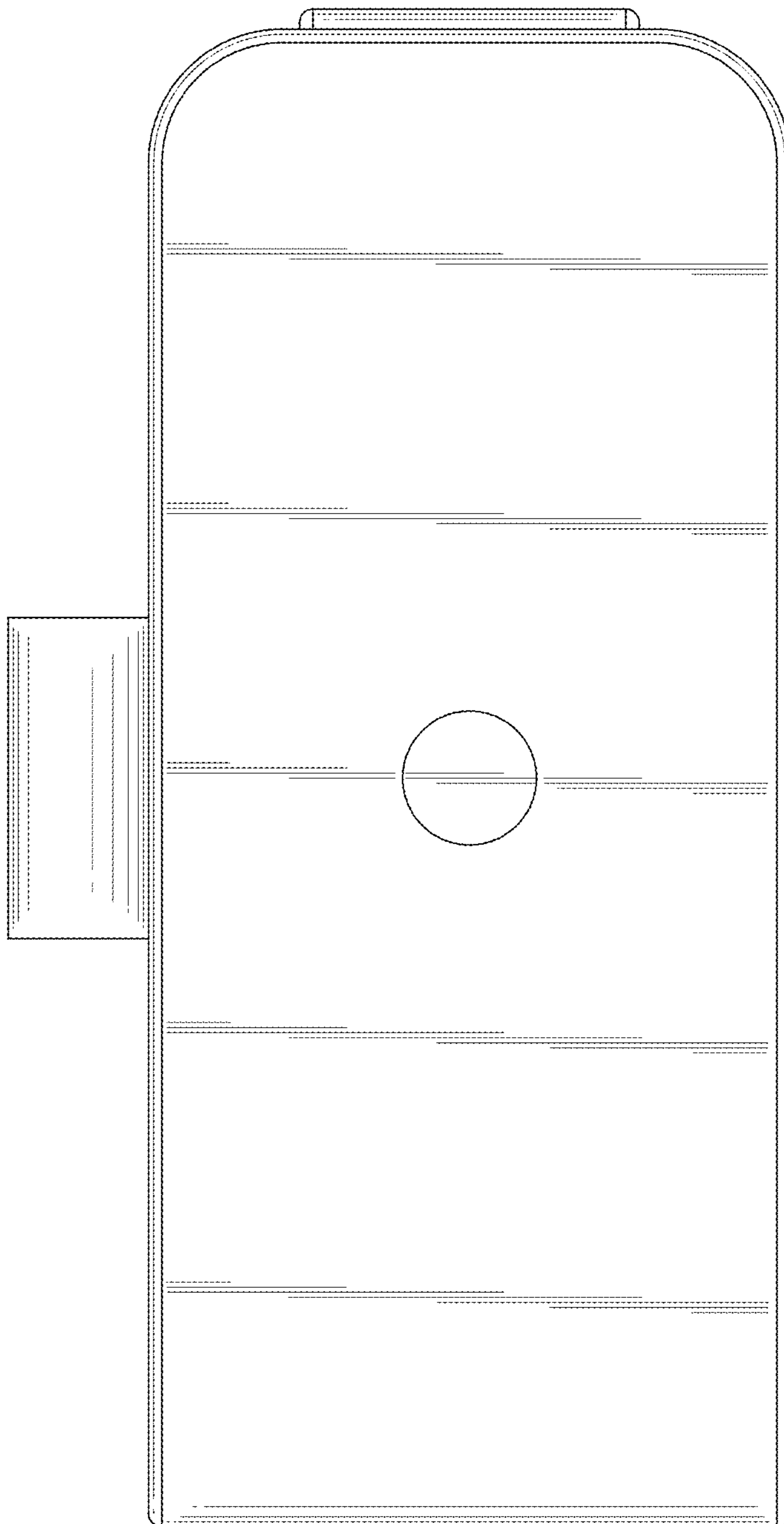


FIG. 4

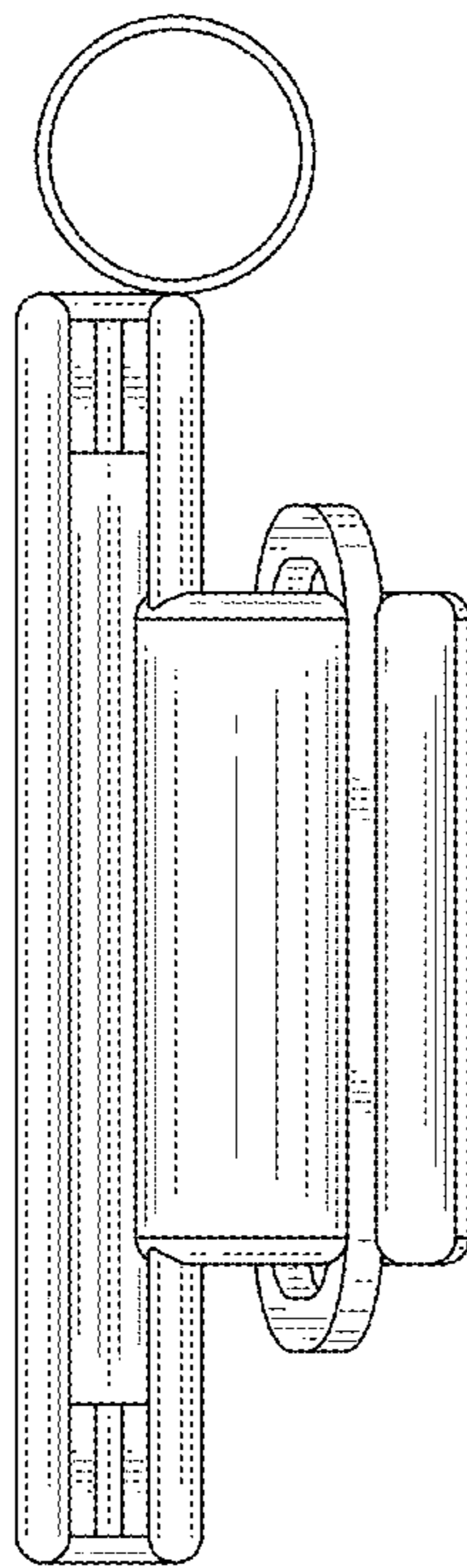


FIG. 5

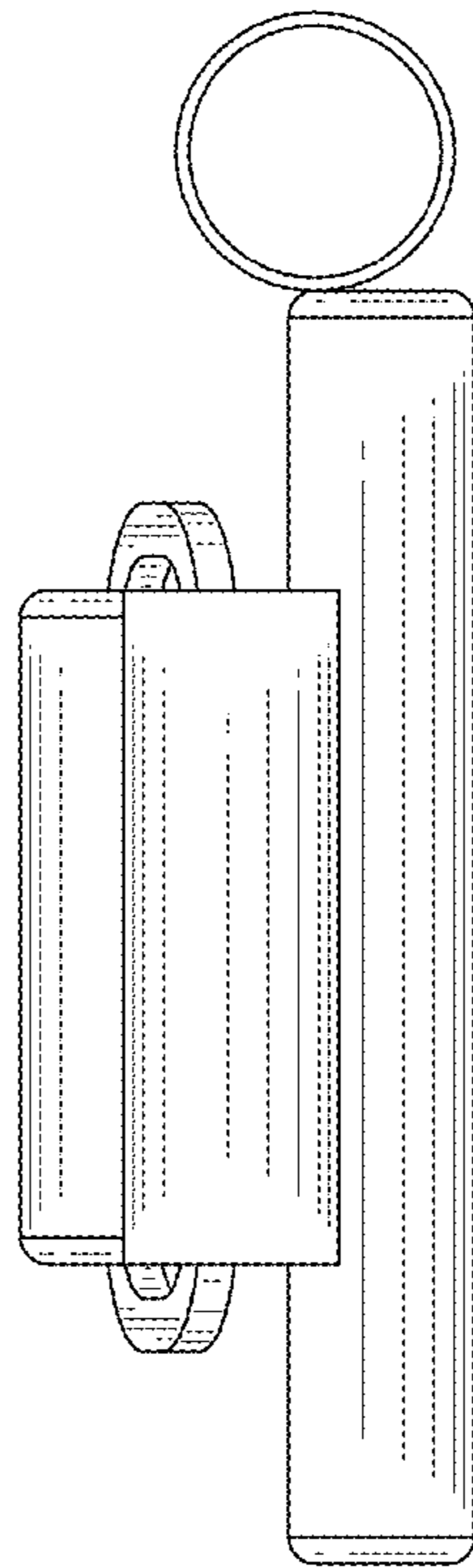


FIG. 6

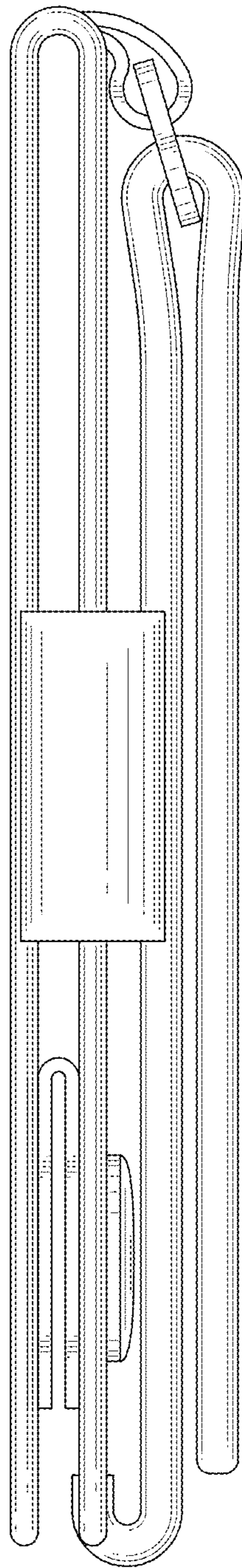


FIG. 7

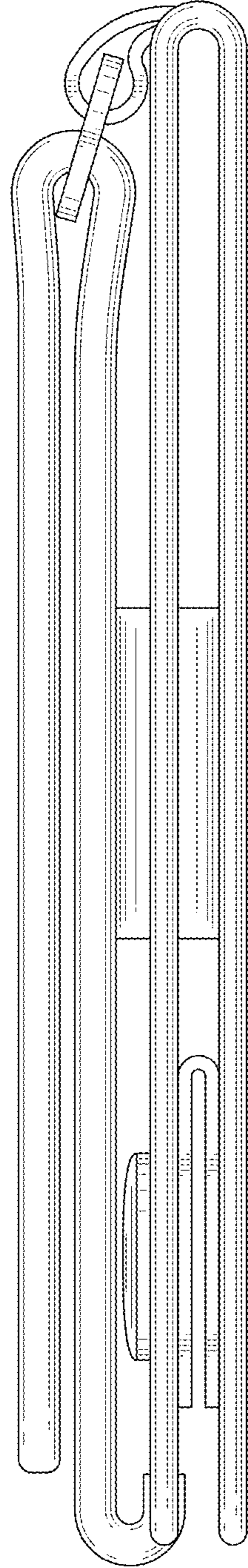


FIG. 8

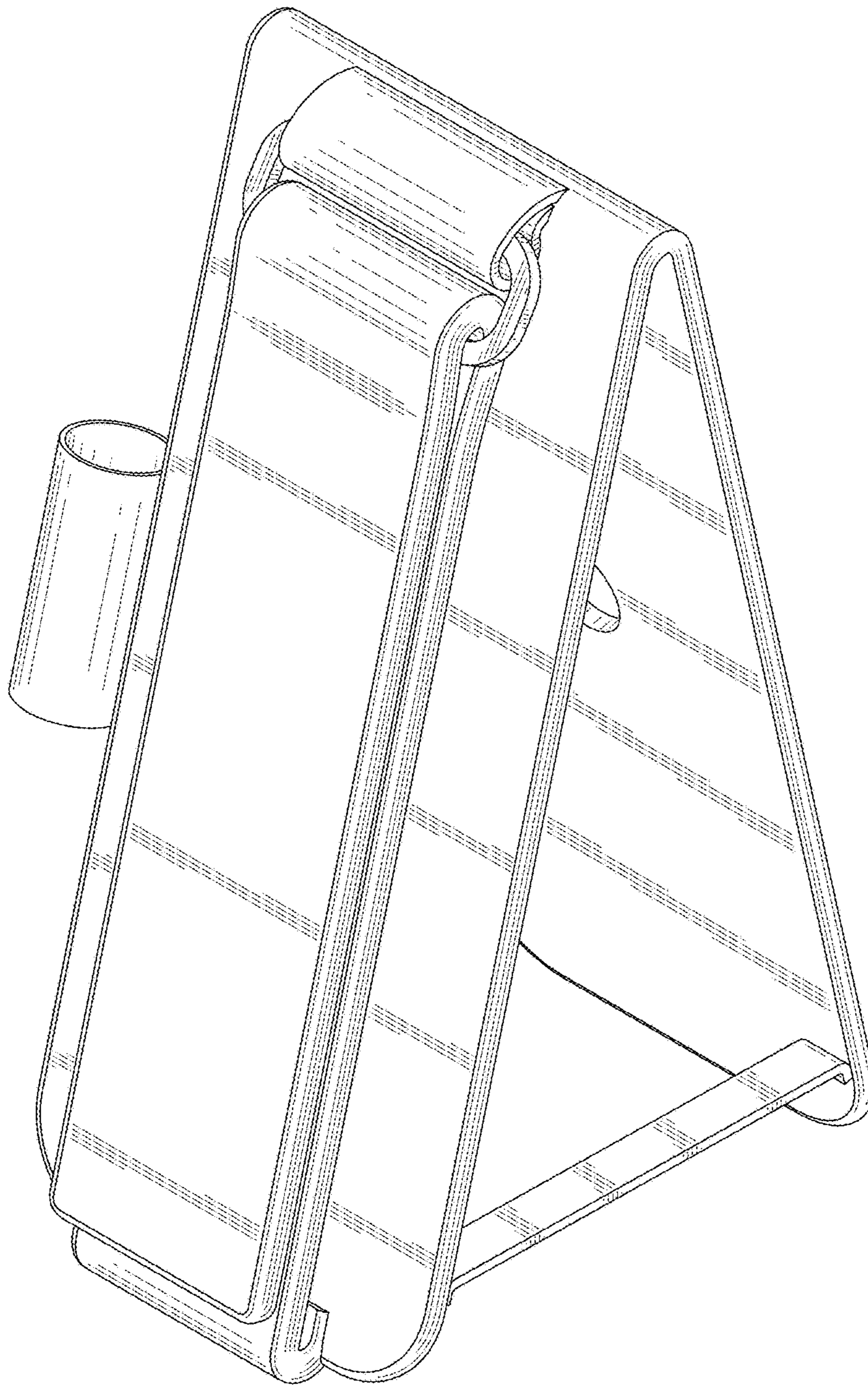


FIG. 9

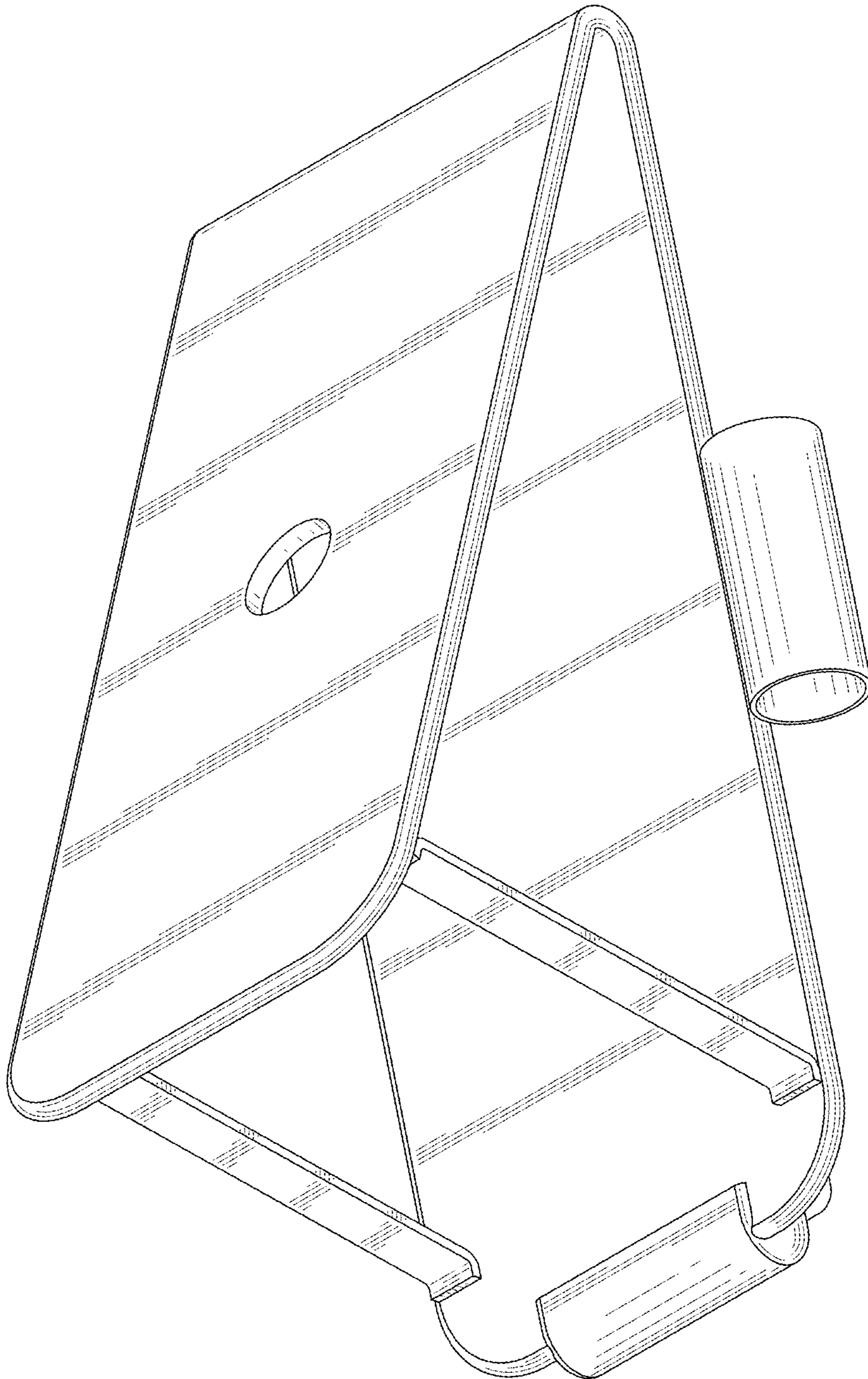


FIG. 10

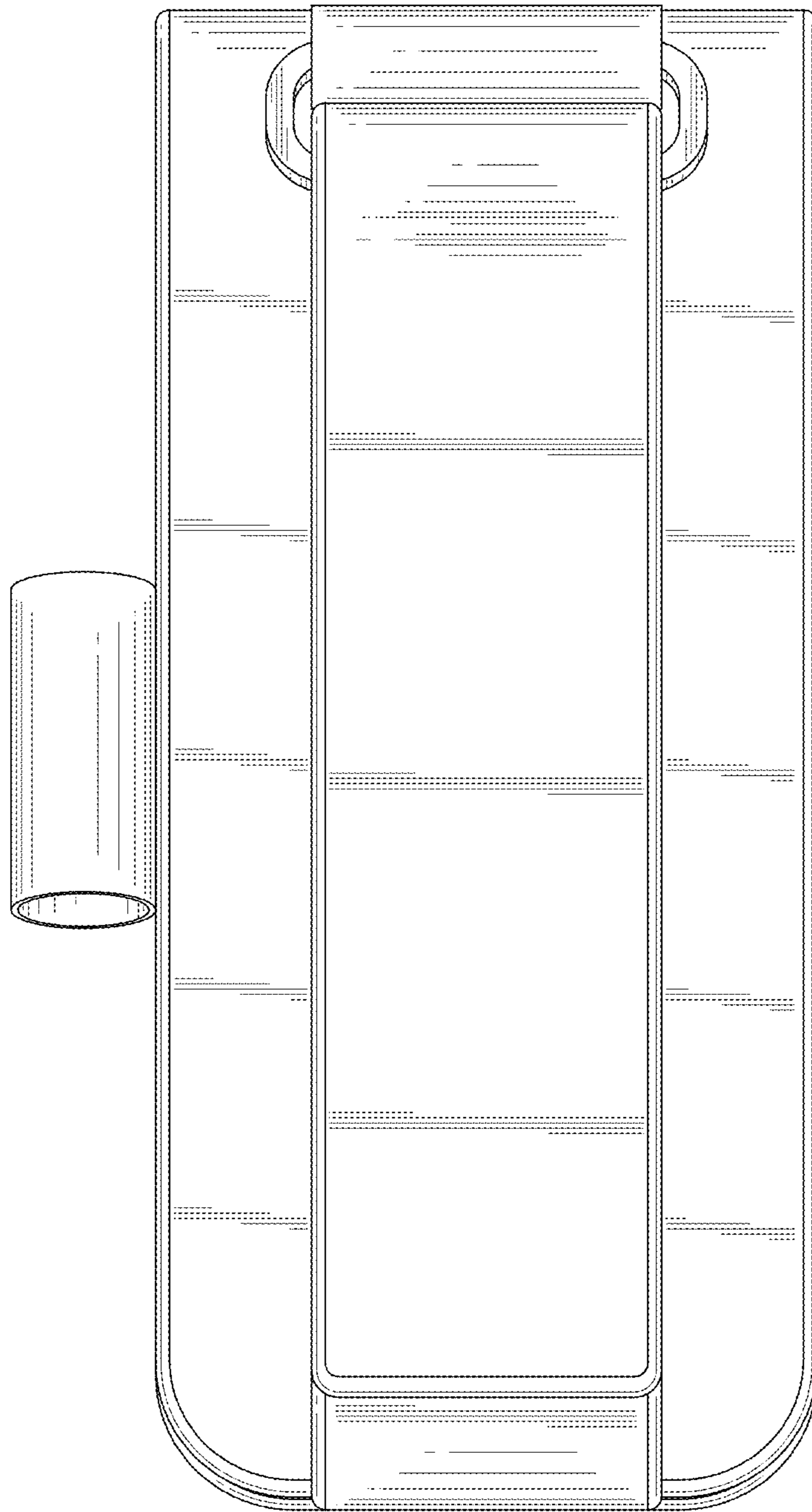


FIG. 11

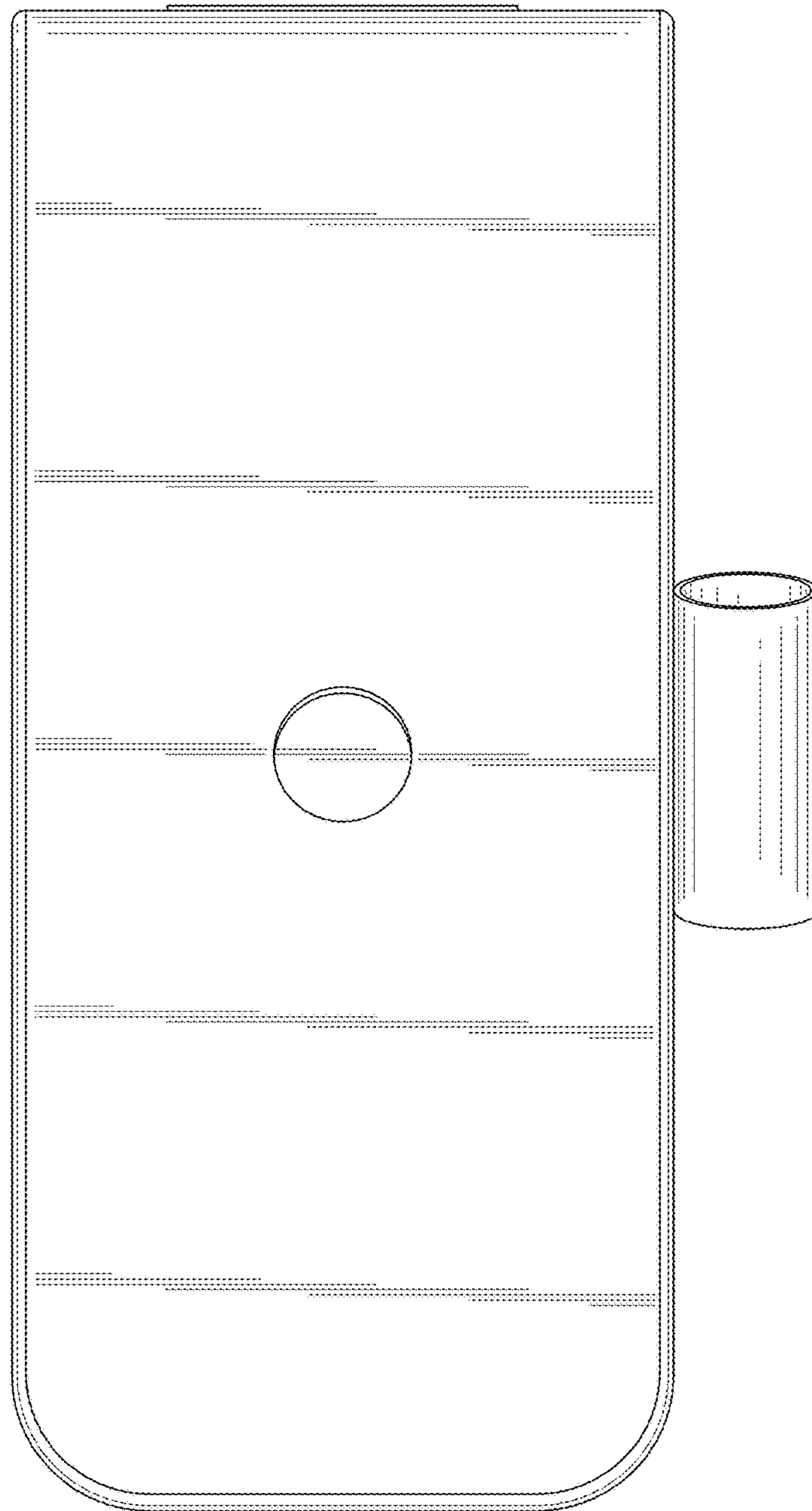


FIG. 12

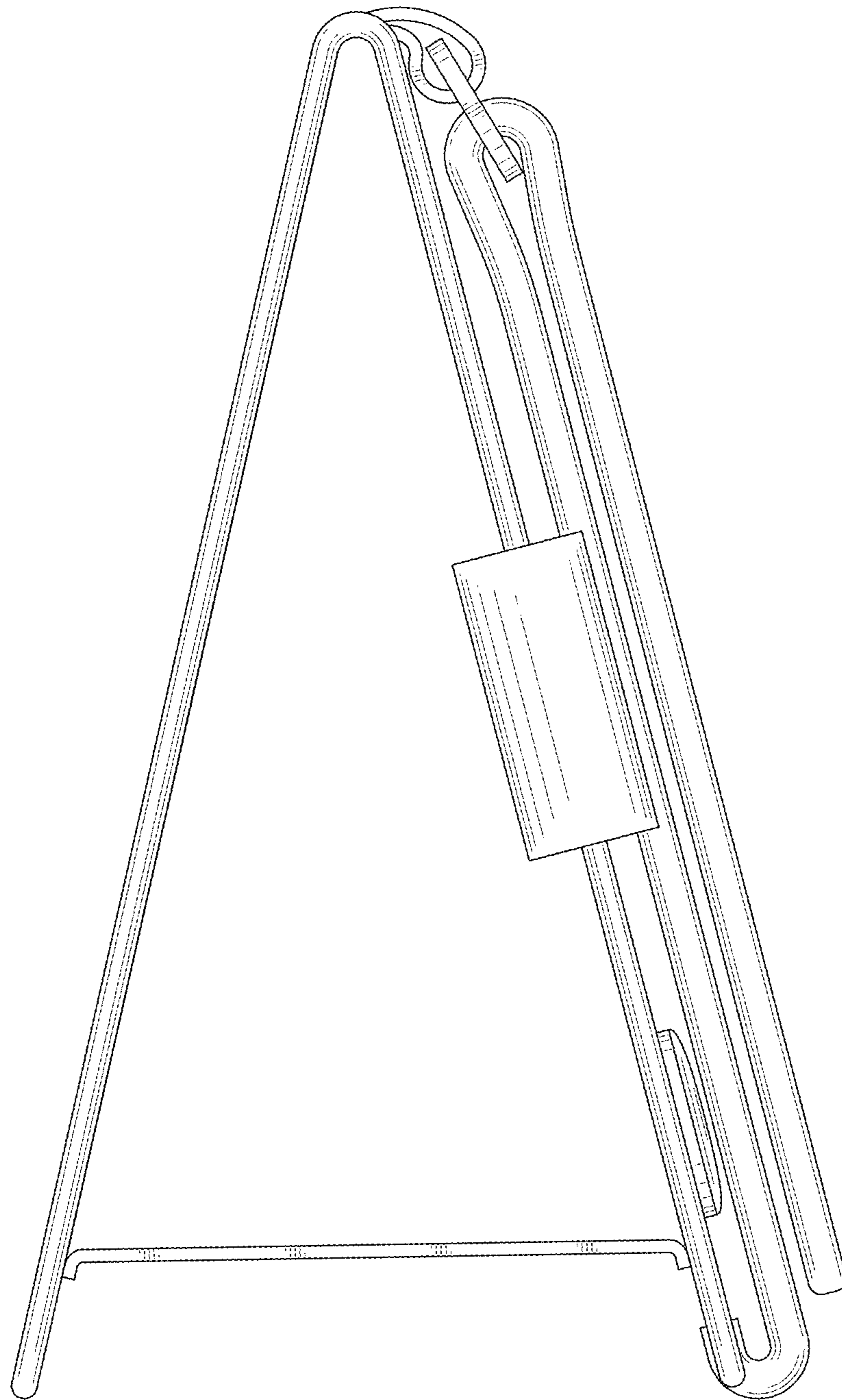


FIG. 13

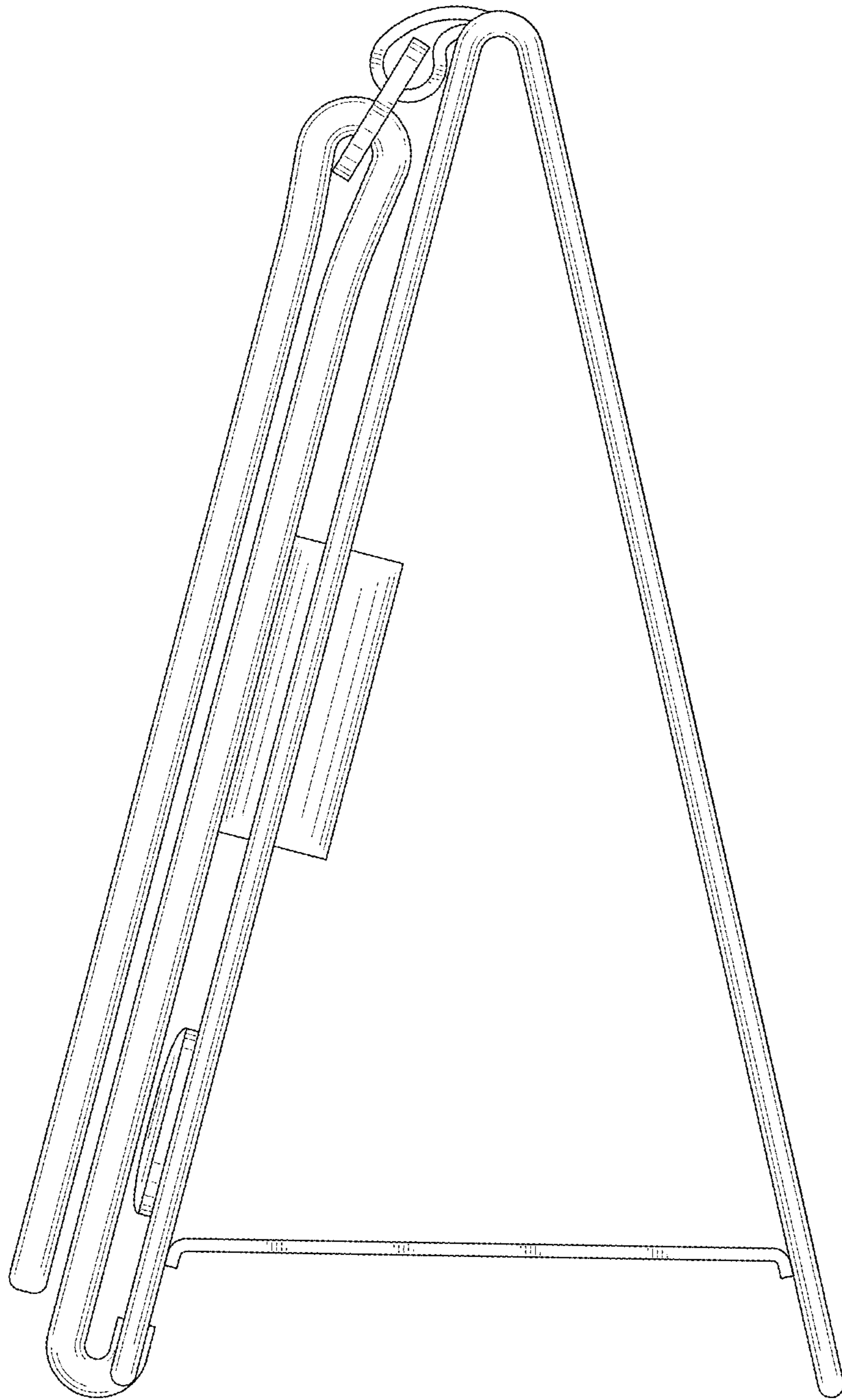


FIG. 14

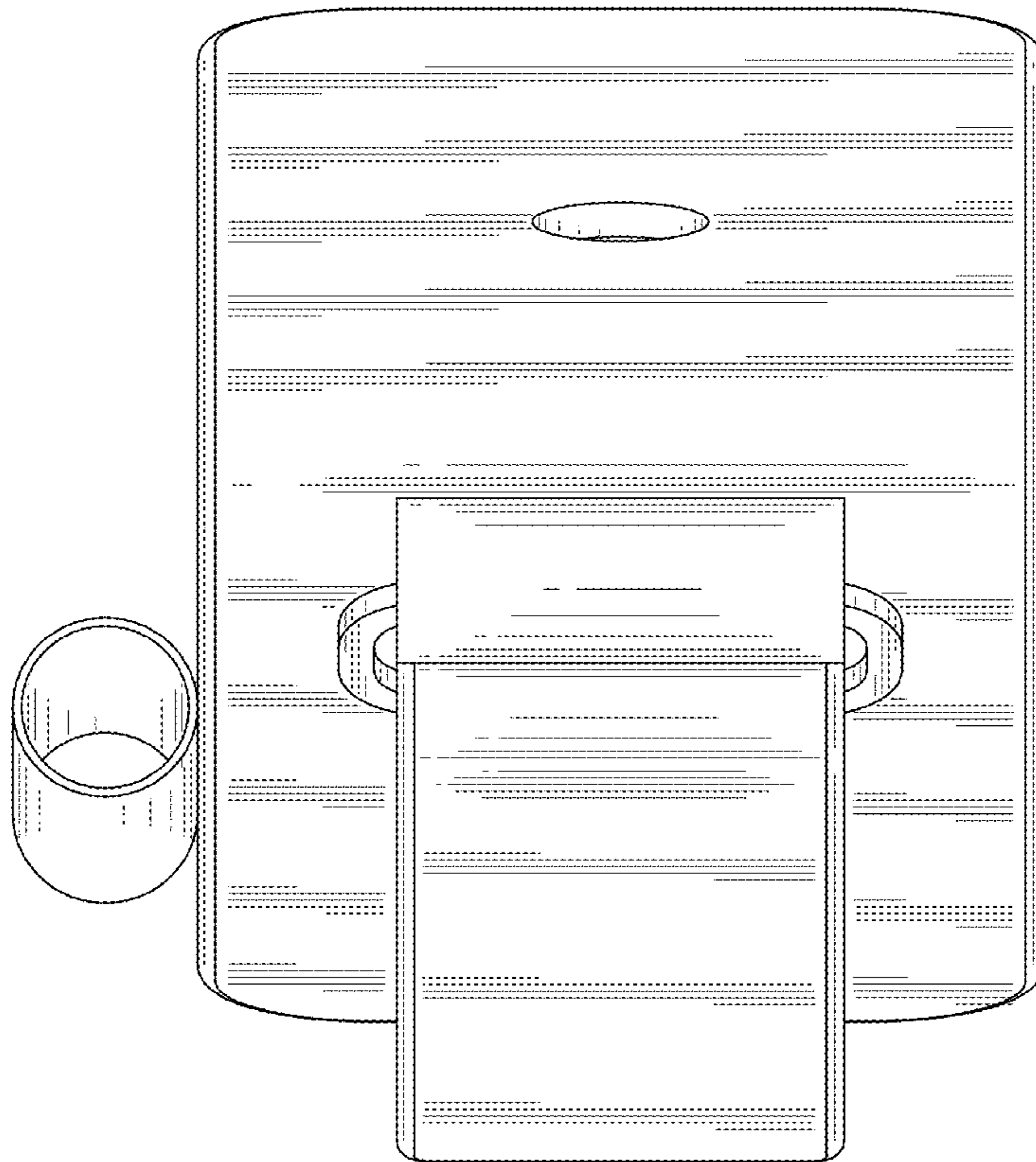


FIG. 15

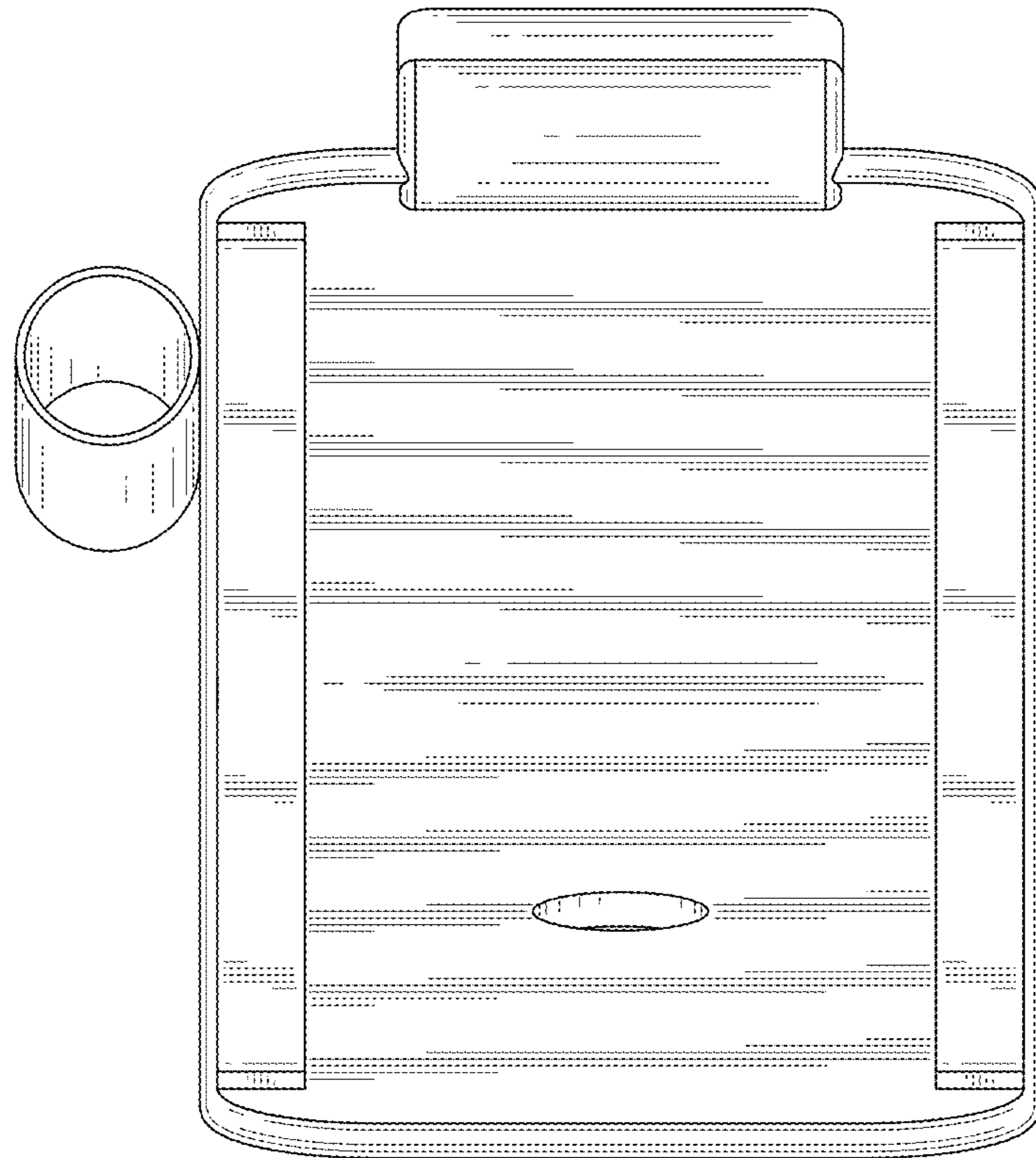


FIG. 16

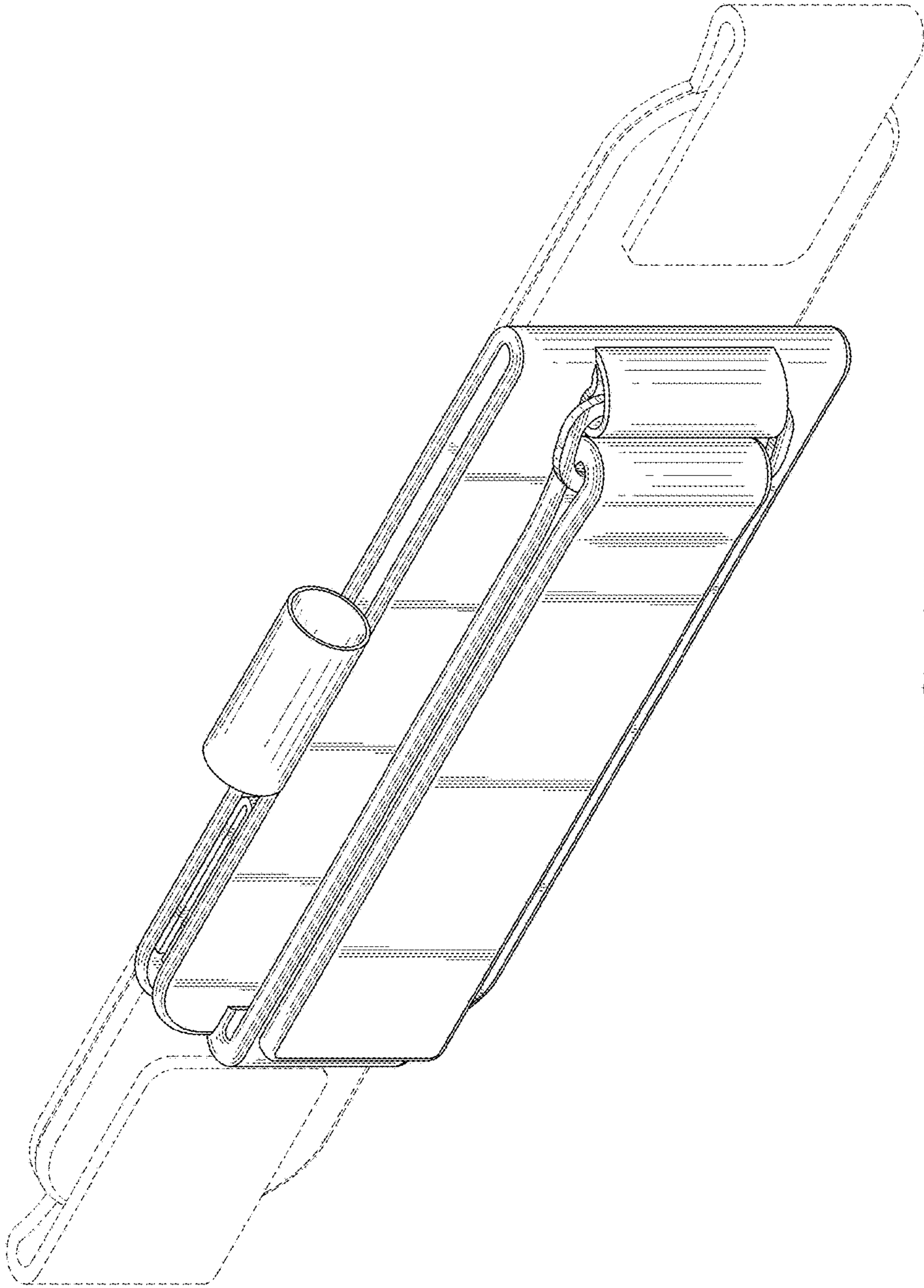


FIG. 17

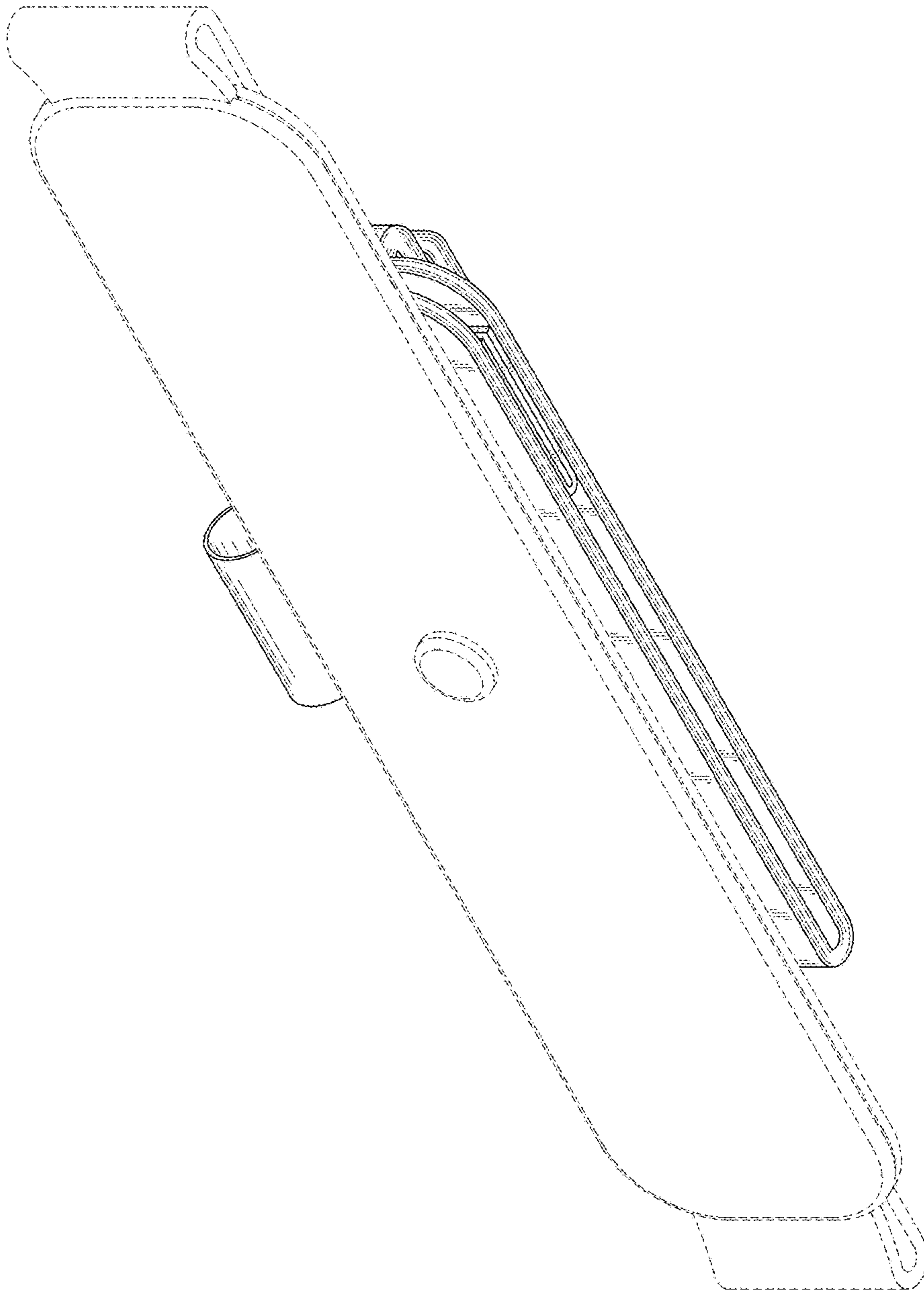


FIG. 18

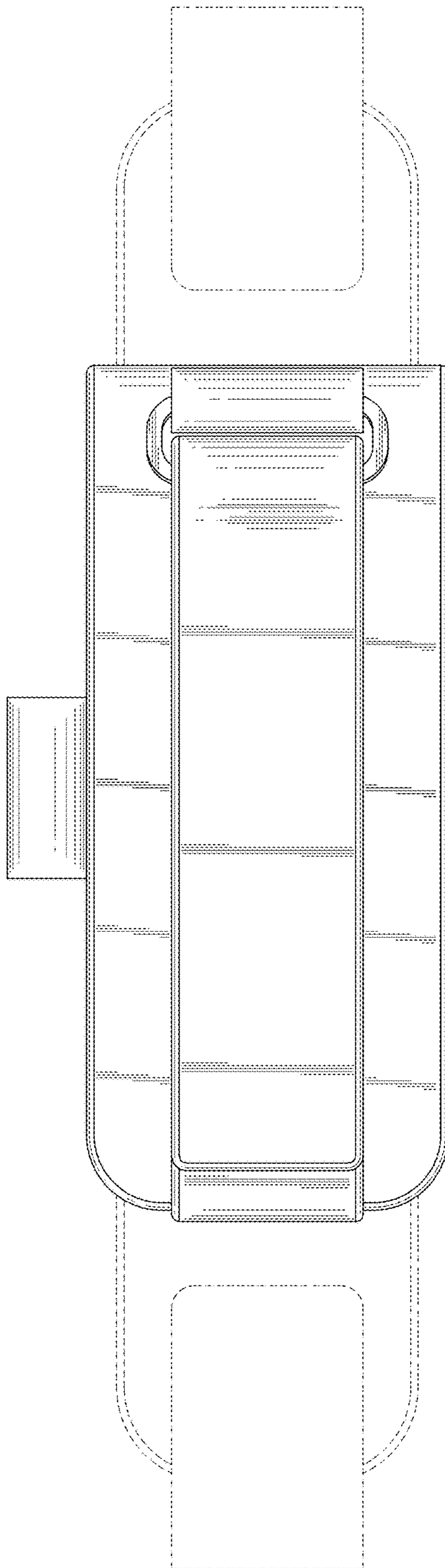


FIG. 19

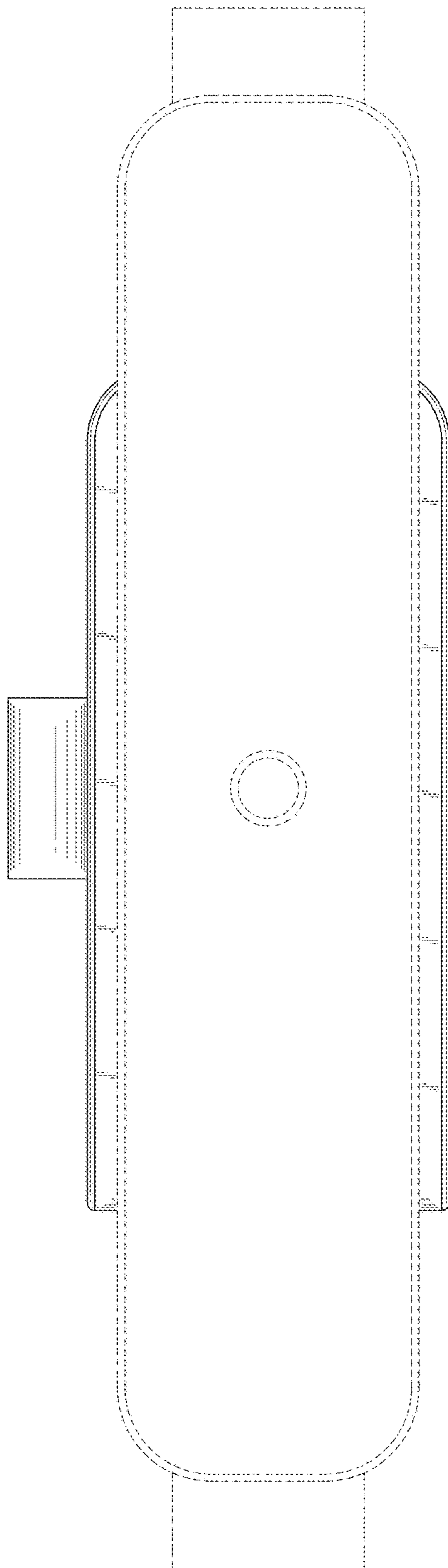


FIG. 20

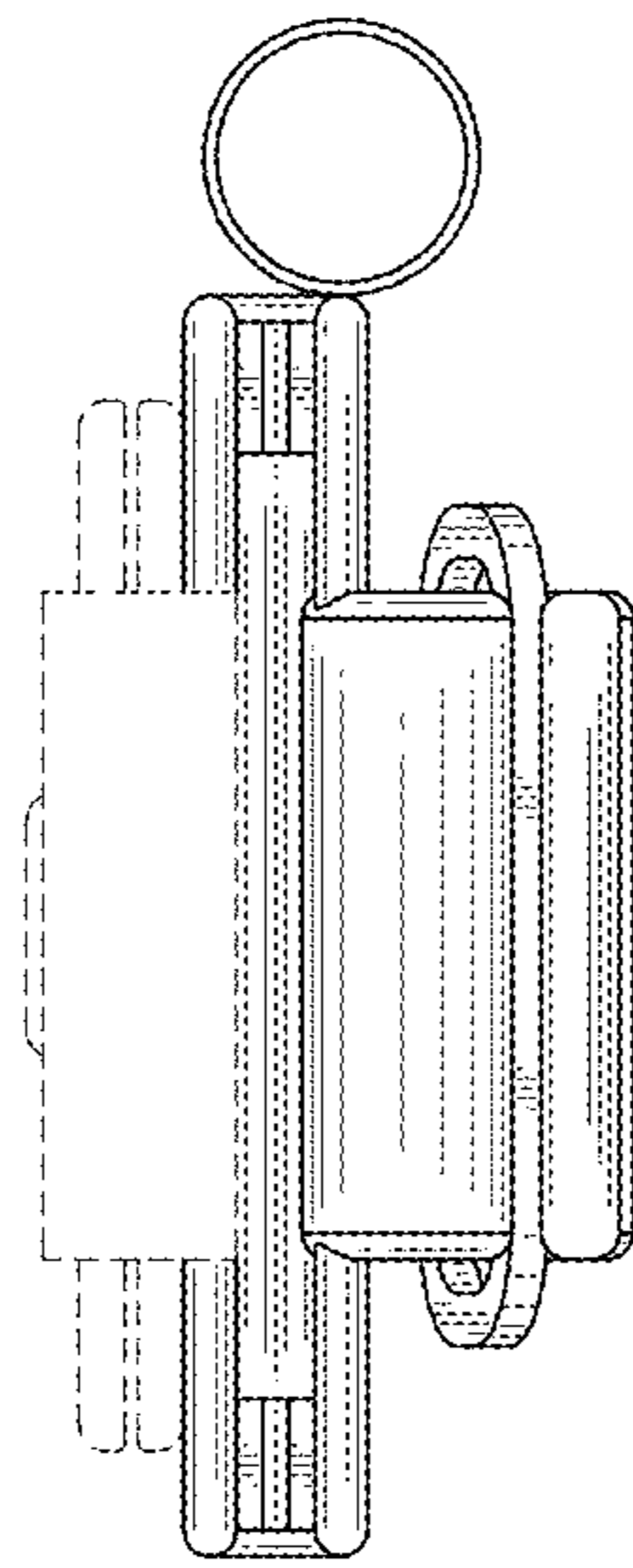


FIG. 21

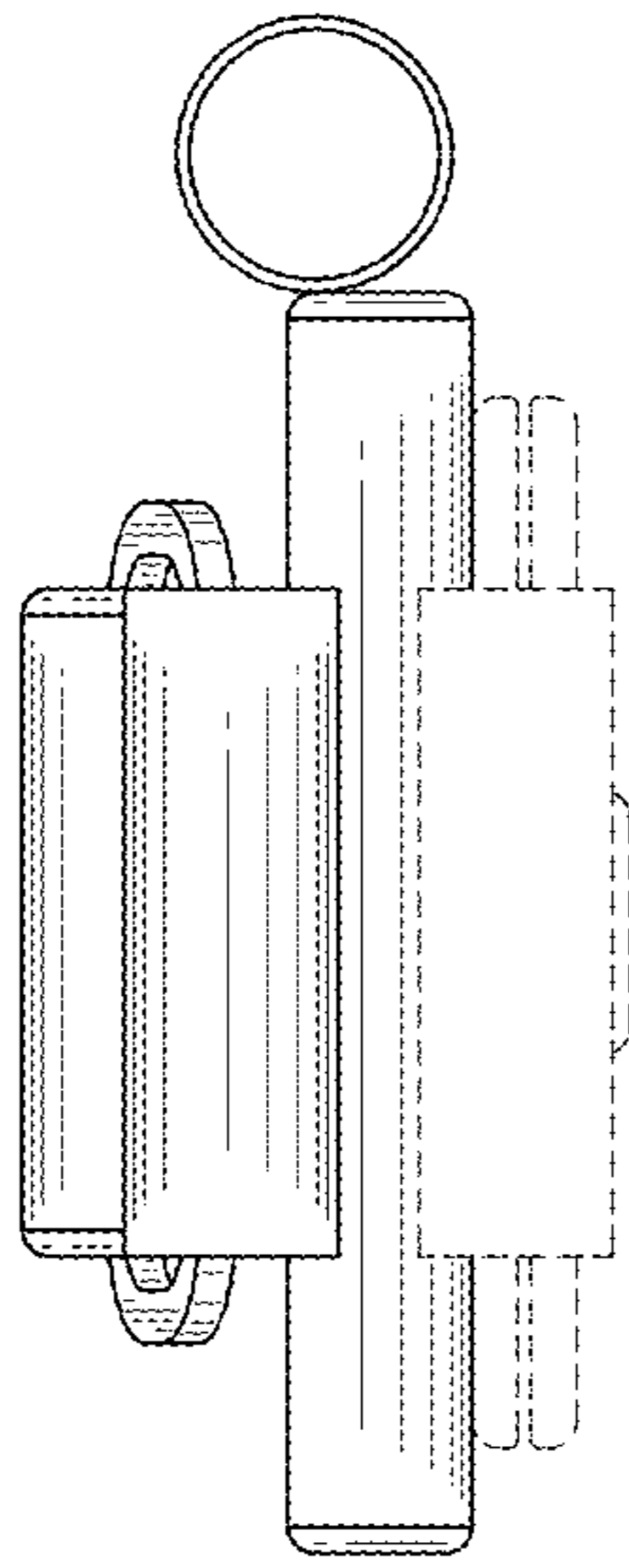


FIG. 22

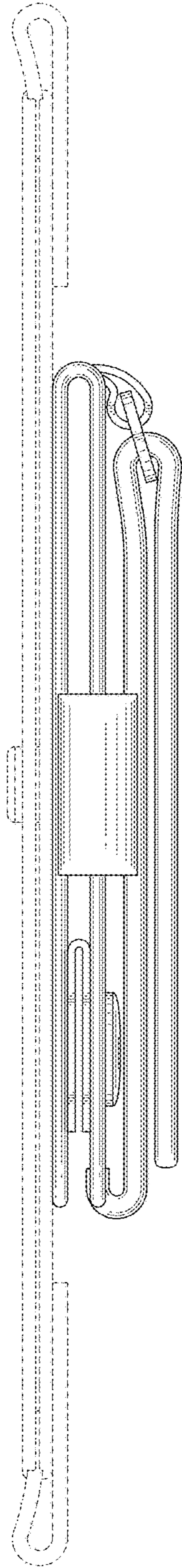


FIG. 23

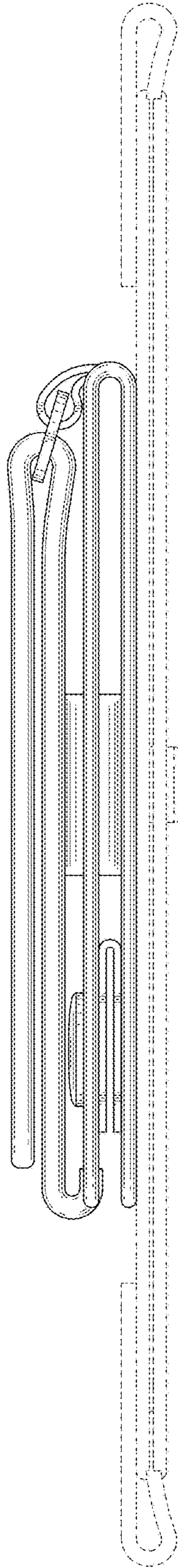


FIG. 24