



US00D826915S

(12) **United States Design Patent** (10) **Patent No.:** **US D826,915 S**  
**Seo et al.** (45) **Date of Patent:** **\*\* Aug. 28, 2018**

(54) **STAND FOR TV RECEIVER**

CPC ... G06F 1/1601; G06F 1/1643; H05K 5/0004;  
H05K 5/0017; H05K 5/02; H05K 5/0217  
See application file for complete search history.

(71) Applicant: **LG ELECTRONICS INC.**, Seoul  
(KR)

(56) **References Cited**

(72) Inventors: **Minji Seo**, Seoul (KR); **Sangik Lee**,  
Seoul (KR); **Byungmu Huh**, Seoul  
(KR)

U.S. PATENT DOCUMENTS

(73) Assignee: **LG ELECTRONICS INC.**, Seoul  
(KR)

D393,461 S *	4/1998	Goto	D14/126
D416,549 S *	11/1999	Coster	D14/126
D482,039 S *	11/2003	Chen	D14/447
D533,170 S *	12/2006	Yamamoto	D14/239
D548,226 S *	8/2007	Ohba	D14/239
D548,228 S *	8/2007	Tanigawa	D14/239
D548,229 S *	8/2007	Tanigawa	D14/239
D548,486 S *	8/2007	Niitsu	D6/675
D549,673 S *	8/2007	Niitsu	D14/126
7,287,729 B2 *	10/2007	Jung	F16M 11/10 248/122.1
D562,811 S *	2/2008	Asanuma	D14/239
D609,659 S *	2/2010	VanDuyn	D14/126
7,748,680 B2 *	7/2010	Choi	F16M 11/10 16/367
D634,722 S *	3/2011	Kim	D14/126
D659,661 S *	5/2012	Lim	D14/126
D661,273 S *	6/2012	Chu	D14/126
D663,705 S *	7/2012	Park	D14/126
D663,729 S *	7/2012	Lee	D14/374
D671,084 S *	11/2012	Kim	D14/126
D675,175 S *	1/2013	Kim	D14/126
D681,614 S *	5/2013	Masui	D14/239
D691,102 S *	10/2013	Park	D14/126
D699,230 S *	2/2014	Chen	D14/239

(\*\*) Term: **15 Years**

(21) Appl. No.: **35/502,998**

(22) Filed: **Nov. 15, 2016**

(80) **Hague Agreement Data**

Int. Filing Date: **Nov. 15, 2016**

Int. Reg. No.: **DM/093538**

Int. Reg. Date: **Nov. 15, 2016**

Int. Reg. Pub. Date: **May 19, 2017**

(Continued)

(30) **Foreign Application Priority Data**

May 24, 2016 (KR) ..... 30-2016-0024861

(51) **LOC (11) Cl.** ..... **14-03**

(52) **U.S. Cl.**

USPC ..... **D14/239**

CPC ..... **G06F 1/1601** (2013.01)

(58) **Field of Classification Search**

USPC ..... D14/125-134, 239, 371, 136, 374-377,

D14/440, 450, 448, 336, 342, 159;

D21/329, 515, 577, 622, 333, 433, 448,

D21/452, 450, 331, 505

*Primary Examiner* — Richard E Chilcot

(74) *Attorney, Agent, or Firm* — Birch, Stewart, Kolasch  
& Birch, LLP

(57) **CLAIM**

The ornamental design for a stand for TV receiver, as shown  
and described.

**DESCRIPTION**

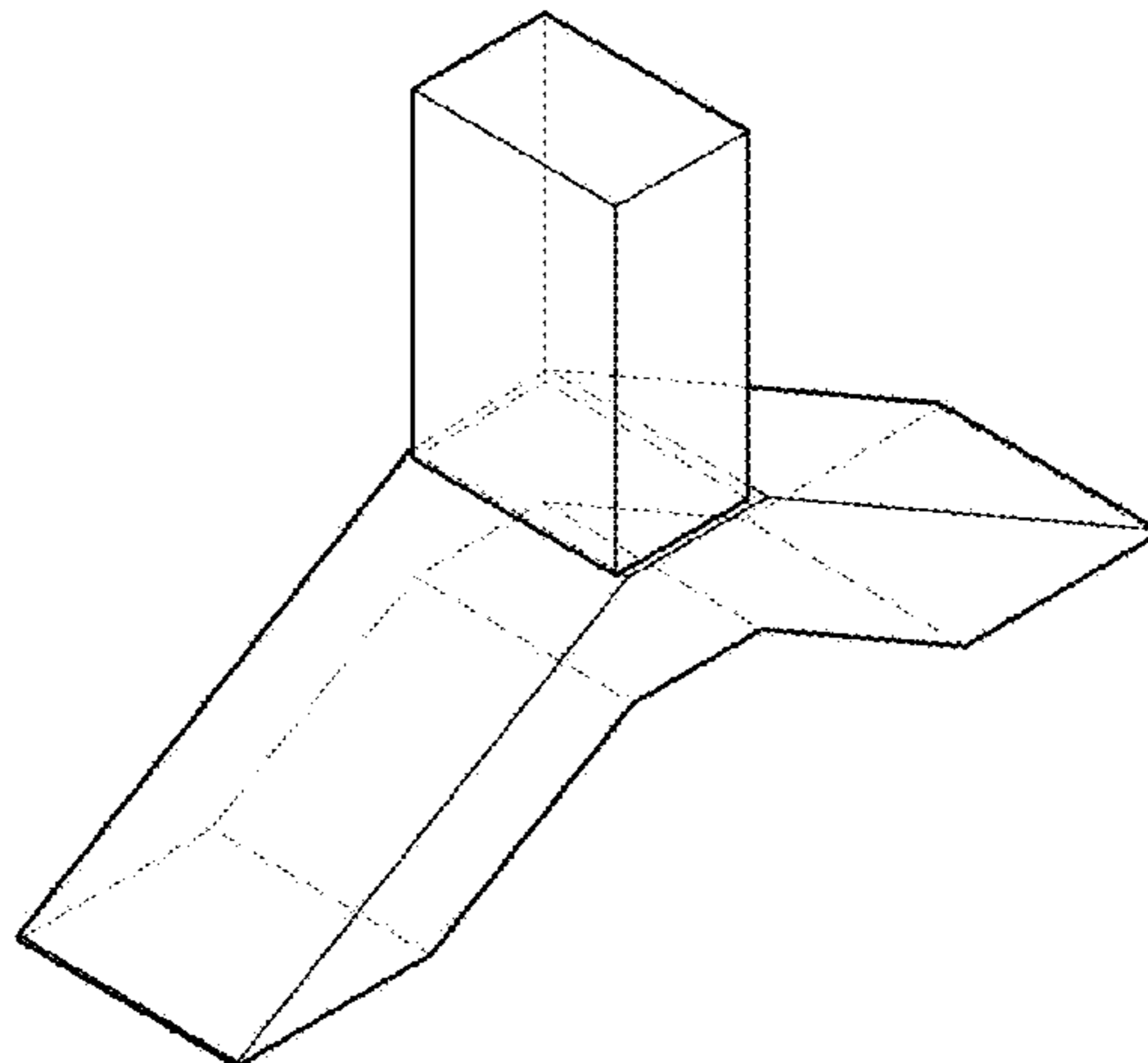
1. Stand for TV receiver

**1.1** : Perspective

**1.2** : Front

**1.3** : Back

(Continued)



- 1.4 : Left
- 1.5 : Right
- 1.6 : Top
- 1.7 : Bottom

**1 Claim, 7 Drawing Sheets**

(56)

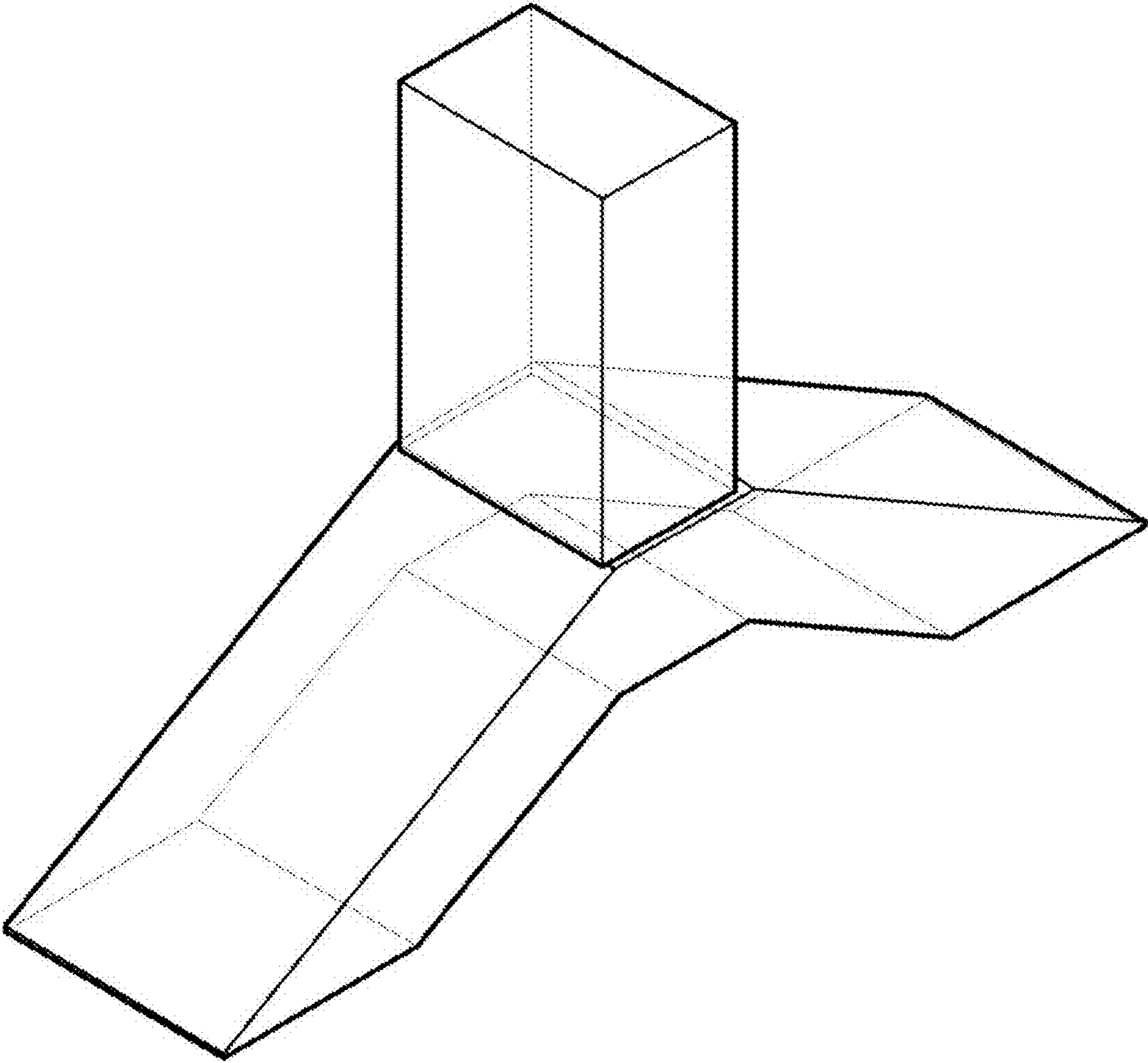
**References Cited**

U.S. PATENT DOCUMENTS

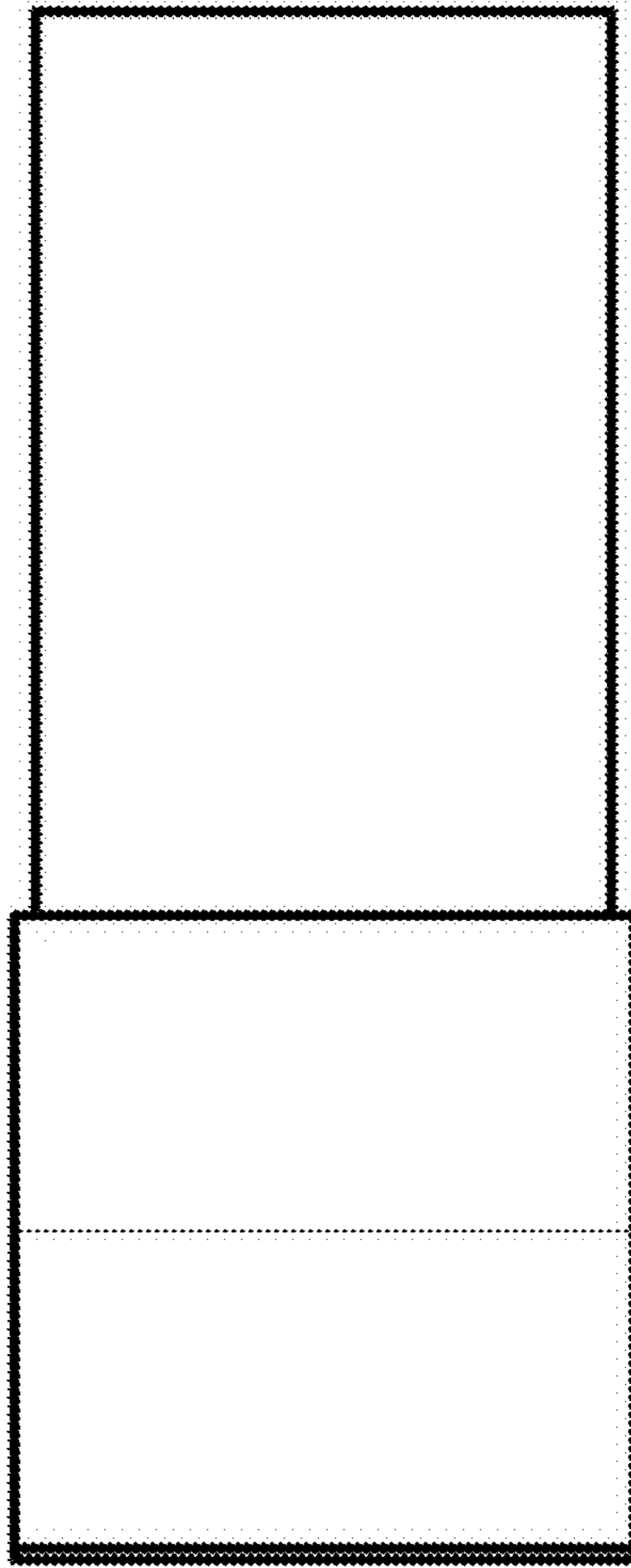
D699,232 S *	2/2014	Jung .....	D14/239
D712,905 S *	9/2014	Miyazaki .....	D14/447
D728,537 S *	5/2015	Choi .....	D14/239
D735,154 S *	7/2015	Kim .....	D14/126
D737,258 S *	8/2015	Ryu .....	D14/239
D739,390 S *	9/2015	Lee .....	D14/239
D745,496 S *	12/2015	Gao .....	D14/239
D762,625 S *	8/2016	Yoo .....	D14/126
D768,119 S *	10/2016	Kim .....	D14/239
D805,504 S *	12/2017	Seo .....	D14/239

\* cited by examiner

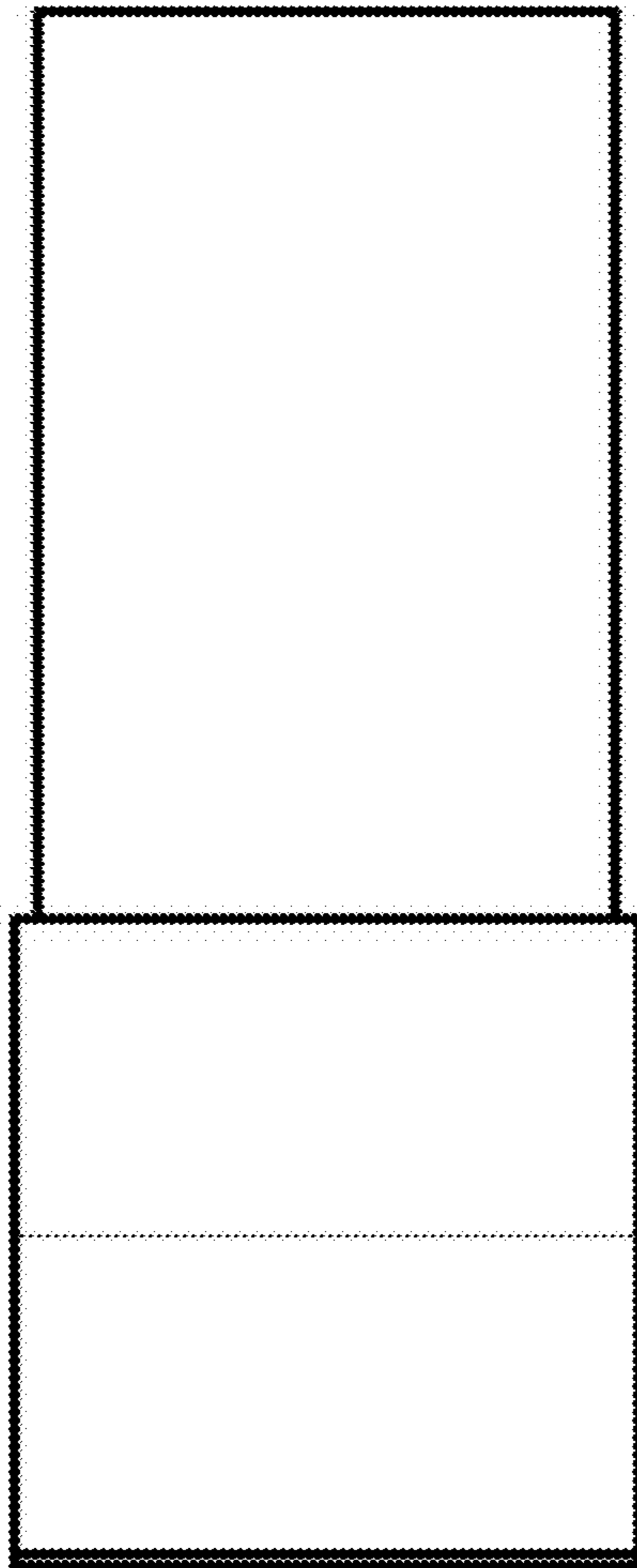
1.1



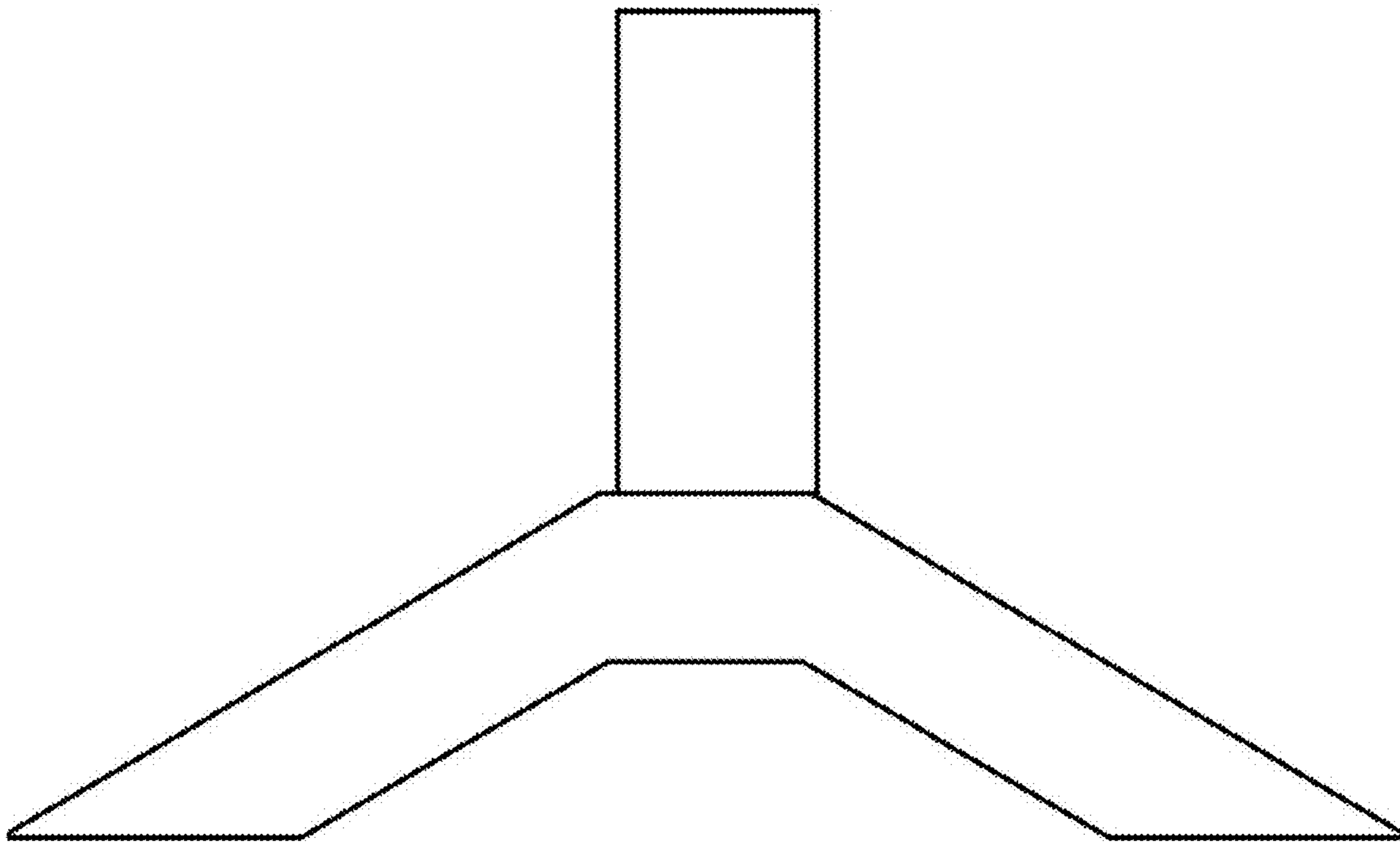
1.2



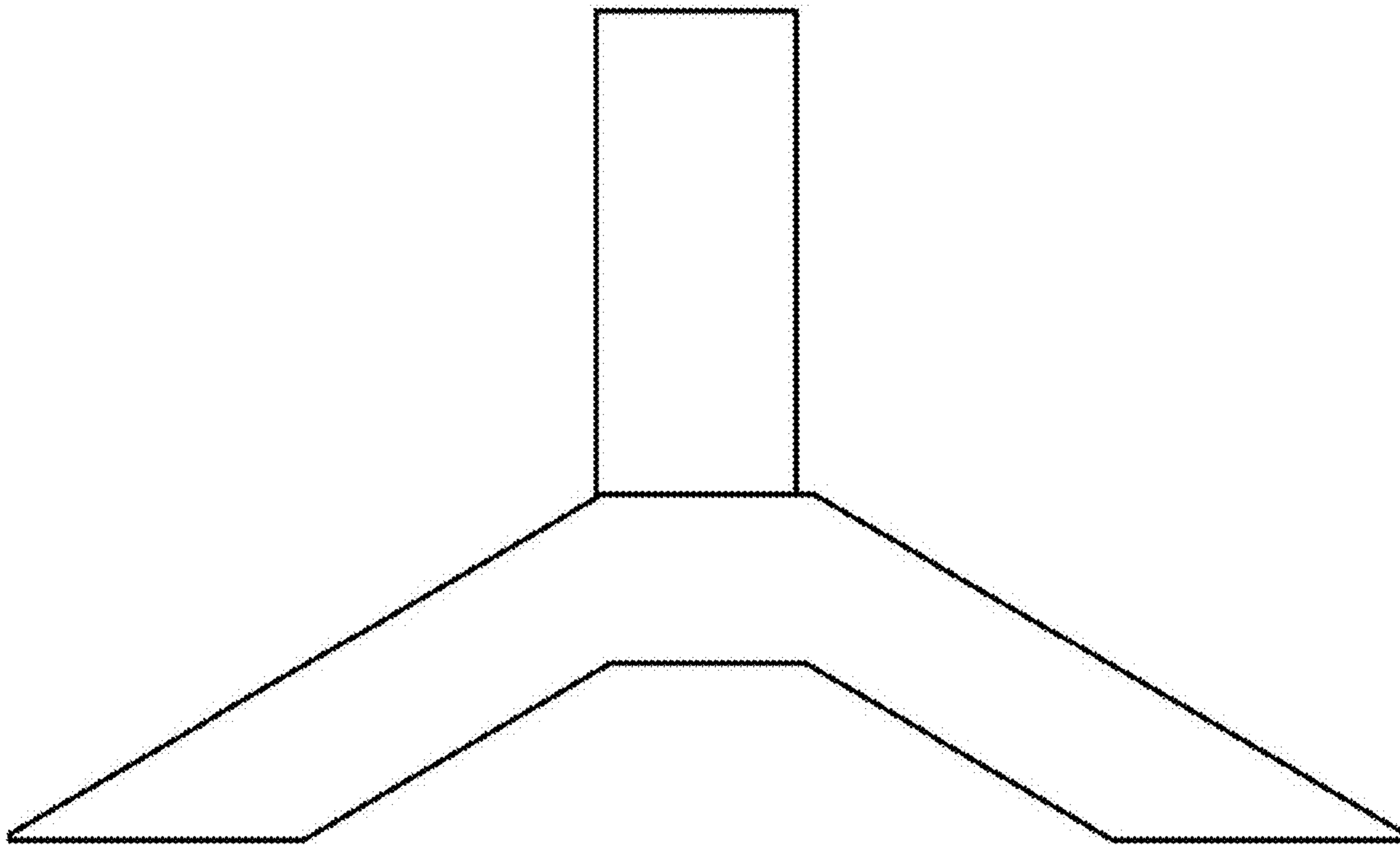
1.3



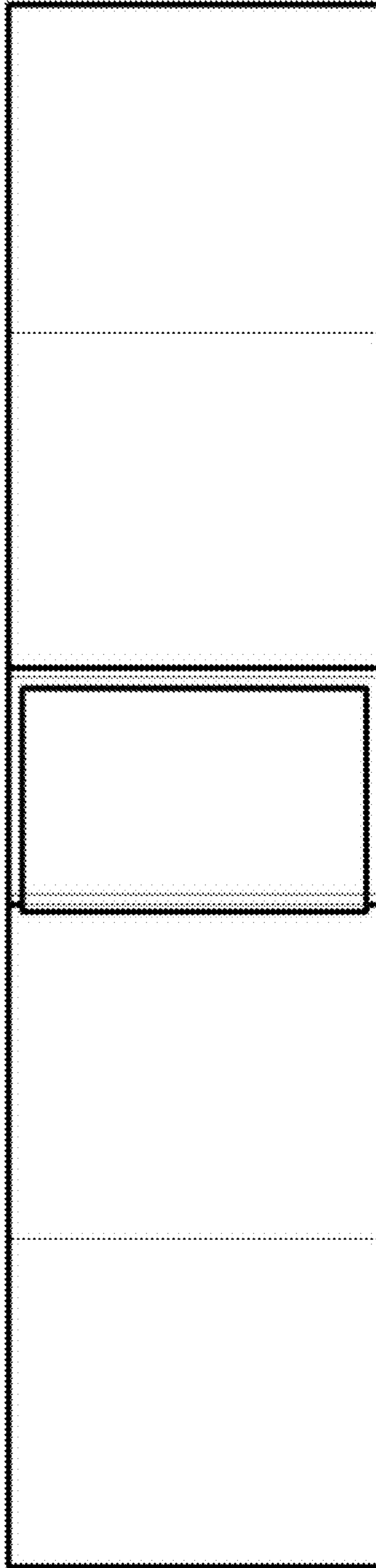
1.4



1.5



1.6





1.7

