



US00D826913S

(12) **United States Design Patent** (10) **Patent No.:** **US D826,913 S**
Cha et al. (45) **Date of Patent:** **** Aug. 28, 2018**

(54) **STAND FOR TV RECEIVER**

(56) **References Cited**

(71) Applicant: **LG ELECTRONICS INC.**, Seoul (KR)

U.S. PATENT DOCUMENTS

(72) Inventors: **Hyunbyung Cha**, Seoul (KR);
Yoonkyeong Lee, Seoul (KR);
Youngwon Jeong, Seoul (KR);
Byungmu Huh, Seoul (KR)

D477,488 S *	7/2003	Hoernig	D6/574
D497,485 S *	10/2004	Resultan	D6/300
D548,229 S *	8/2007	Tanigawa	D14/239
D560,411 S *	1/2008	Chung	D6/567
D562,811 S *	2/2008	Asanuma	D14/239
D677,637 S *	3/2013	Kubota	D14/126
8,553,160 B1 *	10/2013	Fowler	H04N 5/64 160/23.1
D723,012 S *	2/2015	Ann	D14/239
D728,499 S *	5/2015	Park	D14/126
D747,300 S *	1/2016	Kim	D14/239

(73) Assignee: **LG ELECTRONICS INC.**, Seoul (KR)

(**) Term: **15 Years**

(Continued)

(21) Appl. No.: **35/502,975**

OTHER PUBLICATIONS

(22) Filed: **Nov. 8, 2016**

55 Inch Tv Stand Dimensions, posted at Mwan, posting date Dec. 25, 2017. [online] [site visited Apr. 13, 2018]. Available from Internet. <URL: http://mwam.info/20171225080543_55-inch-tv-stand-dimensions/> (Year: 2017).*

(80) **Hague Agreement Data**

Int. Filing Date: **Nov. 8, 2016**
Int. Reg. No.: **DM/093433**
Int. Reg. Date: **Nov. 8, 2016**
Int. Reg. Pub. Date: **May 12, 2017**

(Continued)

(30) **Foreign Application Priority Data**

May 16, 2016 (KR) 30-2016-0023217

Primary Examiner — George D. Kirschbaum
Assistant Examiner — Kathleen L Jones
(74) *Attorney, Agent, or Firm* — Birch, Stewart, Kolasch & Birch, LLP

(51) **LOC (11) Cl.** **14-03**

(57) **CLAIM**

The ornamental design for a stand for TV receiver, as shown and described.

(52) **U.S. Cl.**
USPC **D14/239**

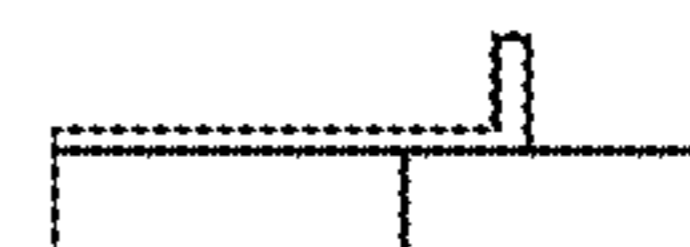
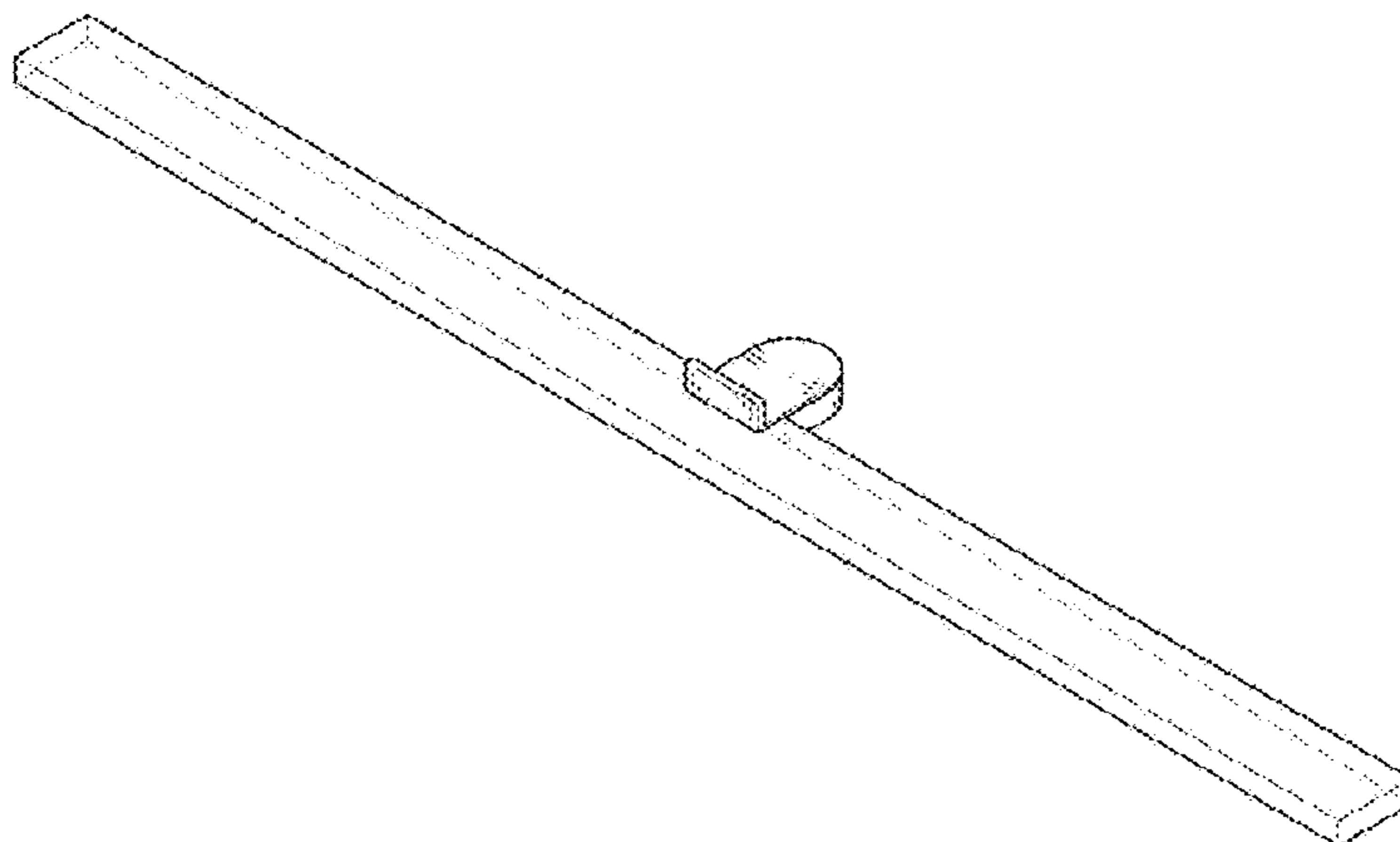
DESCRIPTION

(58) **Field of Classification Search**
USPC D14/125-134, 239, 336, 371, 373-377,
D14/379-380, 382, 447, 448, 450, 451,
D14/452; D21/329, 332, 333, 500, 515;
D10/26; D6/300, 314, 567, 574;
D8/353, 380, 381
CPC G06F 1/16; G06F 1/1601; G06F 1/1637;
H04N 5/64; H05K 5/0017; H05K 5/0204;
H05K 5/0217

1. Stand for TV receiver
- 1.1 : Perspective
- 1.2 : Front
- 1.3 : Back
- 1.4 : Left
- 1.5 : Right
- 1.6 : Top
- 1.7 : Bottom

See application file for complete search history.

1 Claim, 7 Drawing Sheets



(56)

References Cited

U.S. PATENT DOCUMENTS

D747,703	S	*	1/2016	Kim	D14/239
D750,093	S	*	2/2016	Jung	D14/451
D755,164	S	*	5/2016	Lee	D14/239
D760,695	S	*	7/2016	Kwon	D14/214
D768,119	S	*	10/2016	Kim	D14/239
D772,833	S	*	11/2016	Han	D14/126
D795,850	S	*	8/2017	Choi	D14/126
2013/0314300	A1	*	11/2013	Moscovitch	F16M 11/04 345/1.3
2014/0347844	A1	*	11/2014	Kondoh	G02F 1/133308 362/97.1

OTHER PUBLICATIONS

Denison, Caleb, LG OLED55B6P 4K HDR OLED TV Review, posted at Digital Trends, posting date Nov. 29, 2016. [online] [site visited Apr. 13, 2018]. Available from Internet. <URL: <https://www.digitaltrends.com/tv-reviews/lg-oled55b6p-review/>> (Year: 2016).*

Acrylic Fish Tank Glass Clip, posted at AliExpress, posting date not available. [online] [site visited Apr. 13, 2018]. Available from Internet. <URL: <https://www.aliexpress.com/item/4PCS-Good-Quality-6-8-10-12mm-Acrylic-Fish-Tank-Glass-Clip-Aquarium-Shelf-Lamp-Bracket/32815290272.html>>.*

Acrylic Eyewear Display, posted at APEX International, posting date not available. [online] [site visited Apr. 13, 2018]. Available from Internet. <URL: <https://eyeweardisplay.com/products/ac-008-acrylic-single-eyeglass-frame-stand>>.*

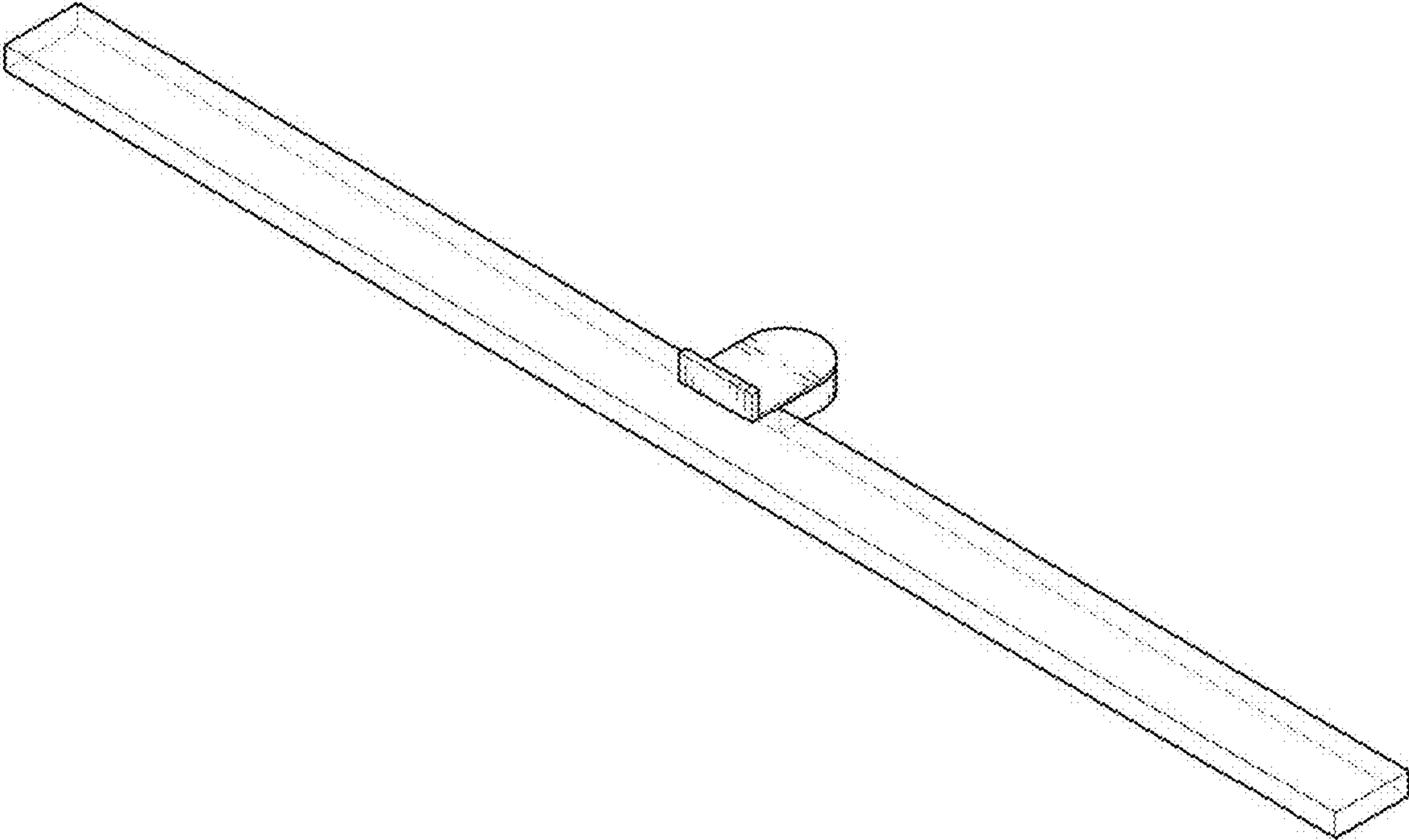
Cool Minimalist Glass TV Stand, posted at fesdecor, posting date not available. [online] [site visited Apr. 13, 2018]. Available from Internet. <URL: <http://fesdecor.com/cool-tv-stands-designs-ideas-that-inspire-for-unique-home-decoration/cool-minimalist-glass-tv-stand-with-shelf/>>.*

Acrylic Sign Holder with Magnets, posted at Displays2Go, review date May 15, 2017. [online] [site visited Apr. 13, 2018]. Available from Internet. <URL: <https://www.displays2go.com/P-21732/Stand-Up-Picture-Frame-Closes-with-Magnets>> (Year: 2017).*

KR-300826913, posted at Orbit, publication date Nov. 26, 2015. [online] [site visited Apr. 13, 2018]. Available from Internet. (Year: 2015).*

* cited by examiner

1.1



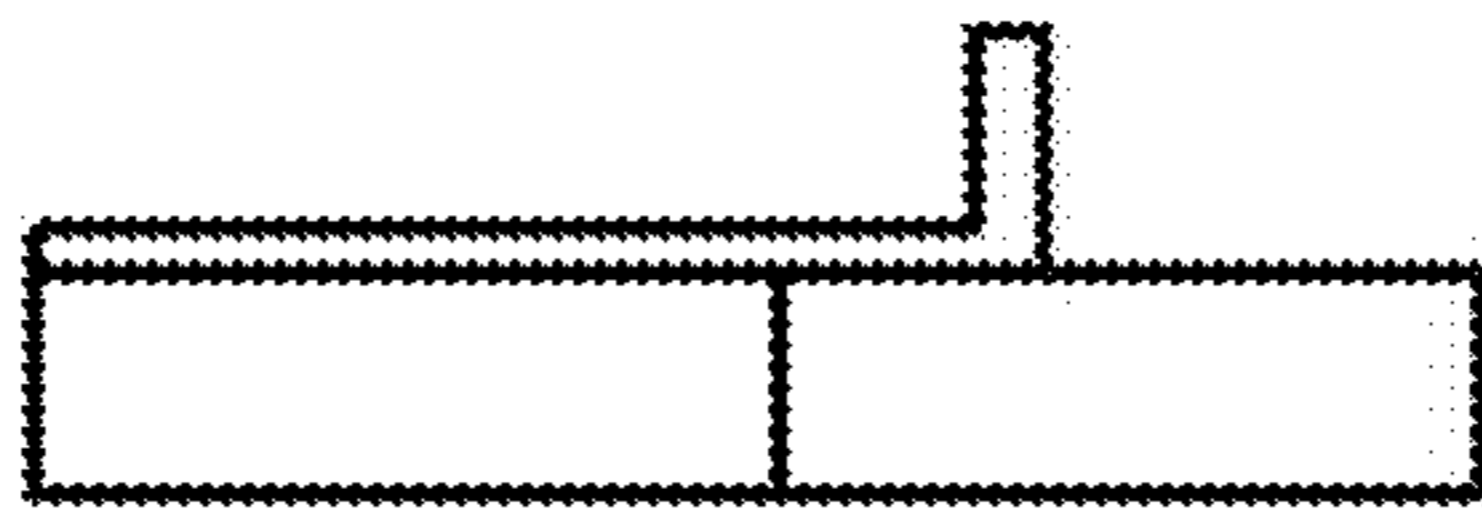
1.2



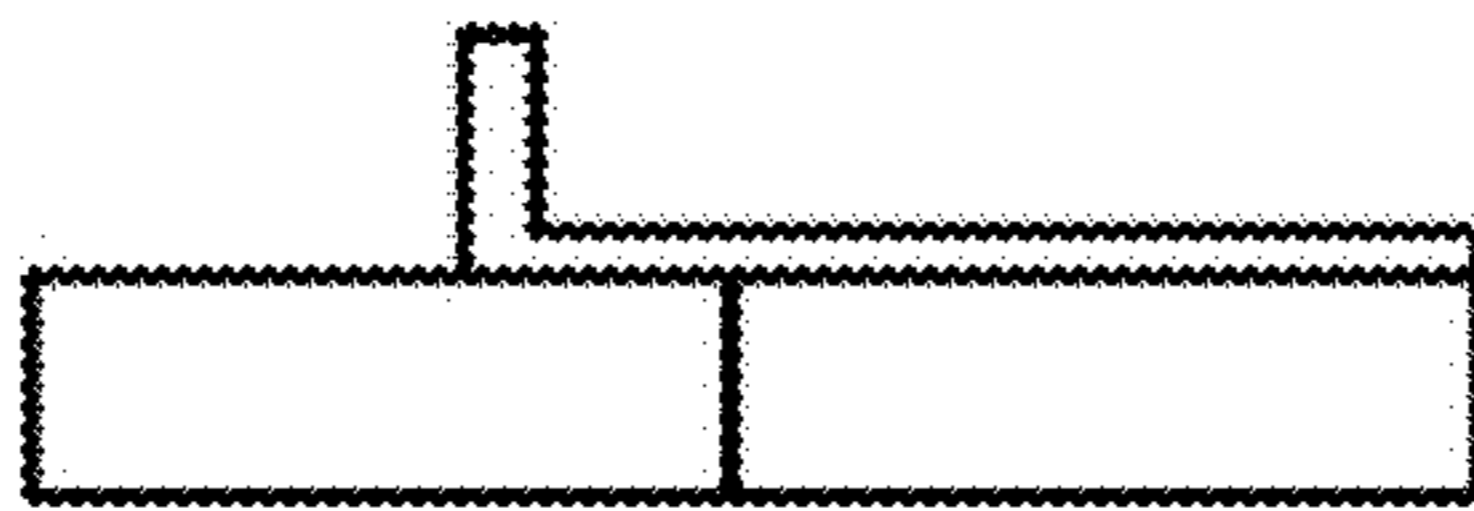
1.3



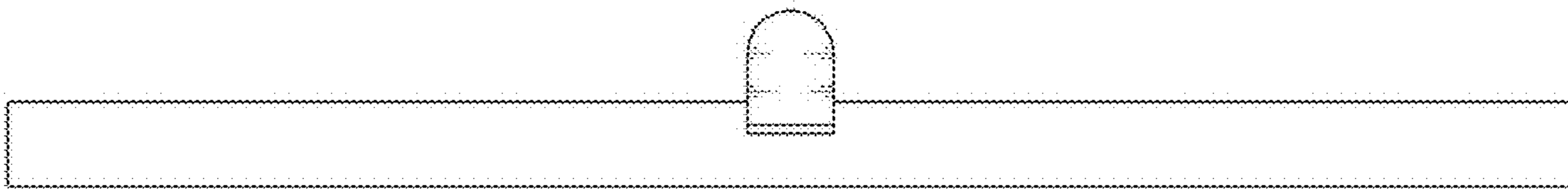
1.4



1.5



1.6



1.7

