



US00D826908S

(12) **United States Design Patent** (10) **Patent No.:** **US D826,908 S**  
**Stillerman et al.** (45) **Date of Patent:** **\*\* Aug. 28, 2018**

(54) **MICROPHONE**

(71) Applicant: **Baltic Latvian Universal Electronics, LLC**, Westlake Village, CA (US)

(72) Inventors: **Jan Stillerman**, Thousand Oaks, CA (US); **Harald Feldstedt**, Reseda, CA (US); **Thomas G. Edwards**, Pflugerville, TX (US); **James Dexter Tickle**, Moorpark, CA (US)

(73) Assignee: **BALTIC LATVIAN UNIVERSAL ELECTRONICS, LLC**, Westlake Village, CA (US)

(\*\*) Term: **15 Years**

(21) Appl. No.: **29/574,586**

(22) Filed: **Aug. 17, 2016**

(51) **LOC (11) Cl.** ..... **14-01**

(52) **U.S. Cl.**  
USPC ..... **D14/227**

(58) **Field of Classification Search**  
USPC ..... D14/154, 157-159, 168, 185-186, 188, D14/221-222, 224-229, 242-243, 259, D14/299, 500, 501, 507; D26/37  
CPC ..... H04R 1/326; H04R 1/406; H04R 1/083; H04R 1/222; H04R 1/1041; H04R 17/02; H04R 29/004; H04R 29/005; H04R 19/04; H04R 2420/07; H04R 2410/00; H04R 2410/01

See application file for complete search history.

(56) **References Cited**

**U.S. PATENT DOCUMENTS**

D447,131 S \* 8/2001 Hough ..... D14/228  
D621,818 S \* 8/2010 Johnson ..... D14/225  
D639,789 S \* 6/2011 Kim ..... D14/242  
D723,513 S \* 3/2015 Corval ..... D14/210

D803,180 S \* 11/2017 Nishimura ..... D14/158  
2006/0002576 A1 \* 1/2006 Akino ..... H04R 1/021  
381/361  
2007/0092088 A1 \* 4/2007 Chang ..... H04R 1/025  
381/79

(Continued)

**OTHER PUBLICATIONS**

Raspberry, posted at Bluedesigns.es, posted on © 2017, site visited Feb. 1, 2018, <<http://www.bluedesigns.es/products/raspberry/>>.\*

(Continued)

*Primary Examiner* — Barbara Fox

*Assistant Examiner* — Messina L Smith

(74) *Attorney, Agent, or Firm* — Socal IP Law Group LLP; Steven C. Sereboff; Nikki M. Dossman

(57) **CLAIM**

The ornamental design for a microphone, as shown and described.

**DESCRIPTION**

A portion of the disclosure of this patent document contains material to which a claim for copyright is made. The copyright owner has no objection to the facsimile reproduction by anyone of the patent document or the patent disclosure, as it appears in the Patent and Trademark Office patent file or records, but reserves all other copyright rights whatsoever.

FIG. 1 is a front, right, top perspective view of a microphone showing the new design in an open position;

FIG. 2 is a rear, left, bottom perspective view thereof;

FIG. 3 is a right side elevation view thereof;

FIG. 4 is a left side elevation view thereof;

FIG. 5 is a front elevation view thereof;

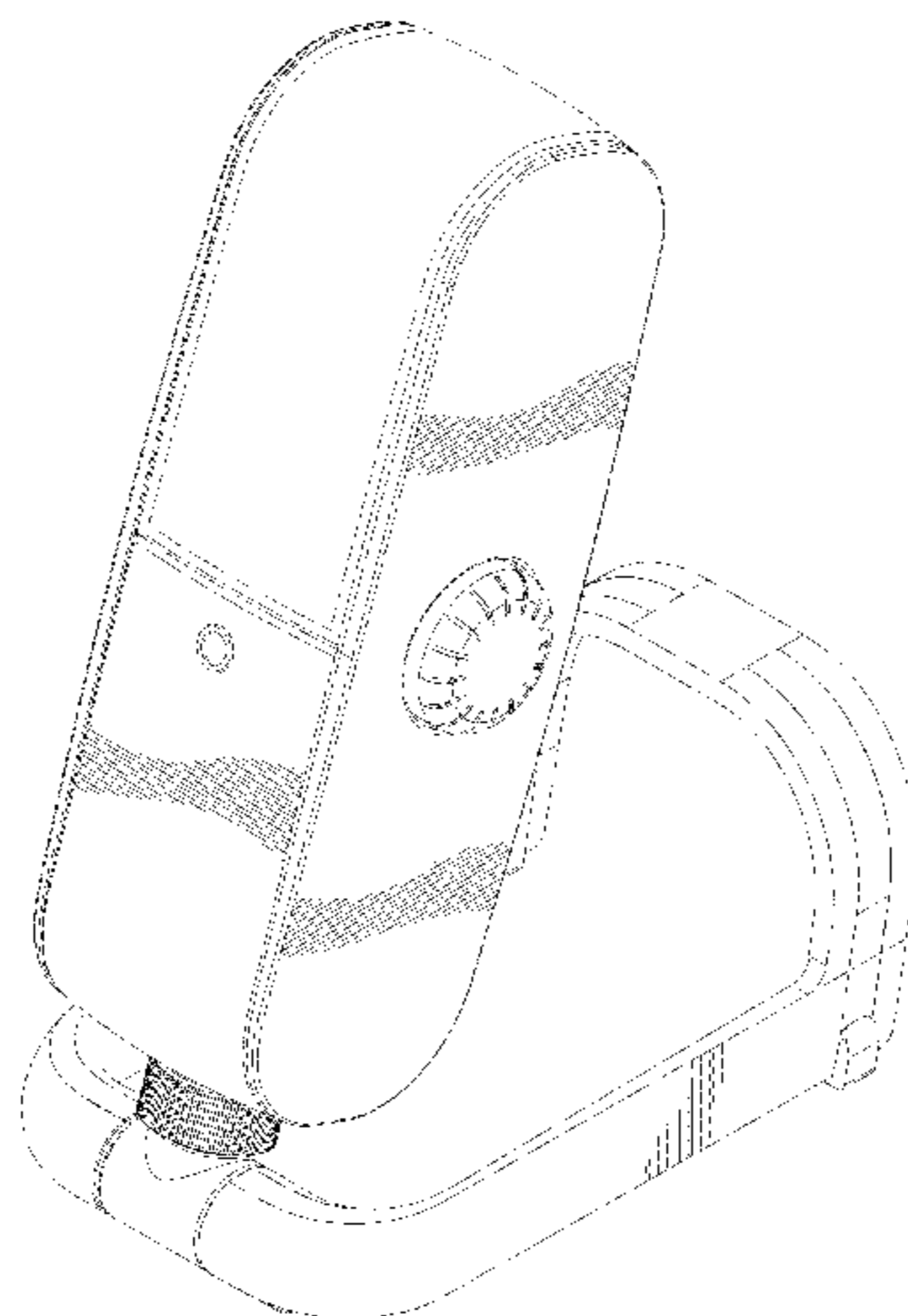
FIG. 6 is a rear elevation view thereof;

FIG. 7 is a top plan view thereof; and,

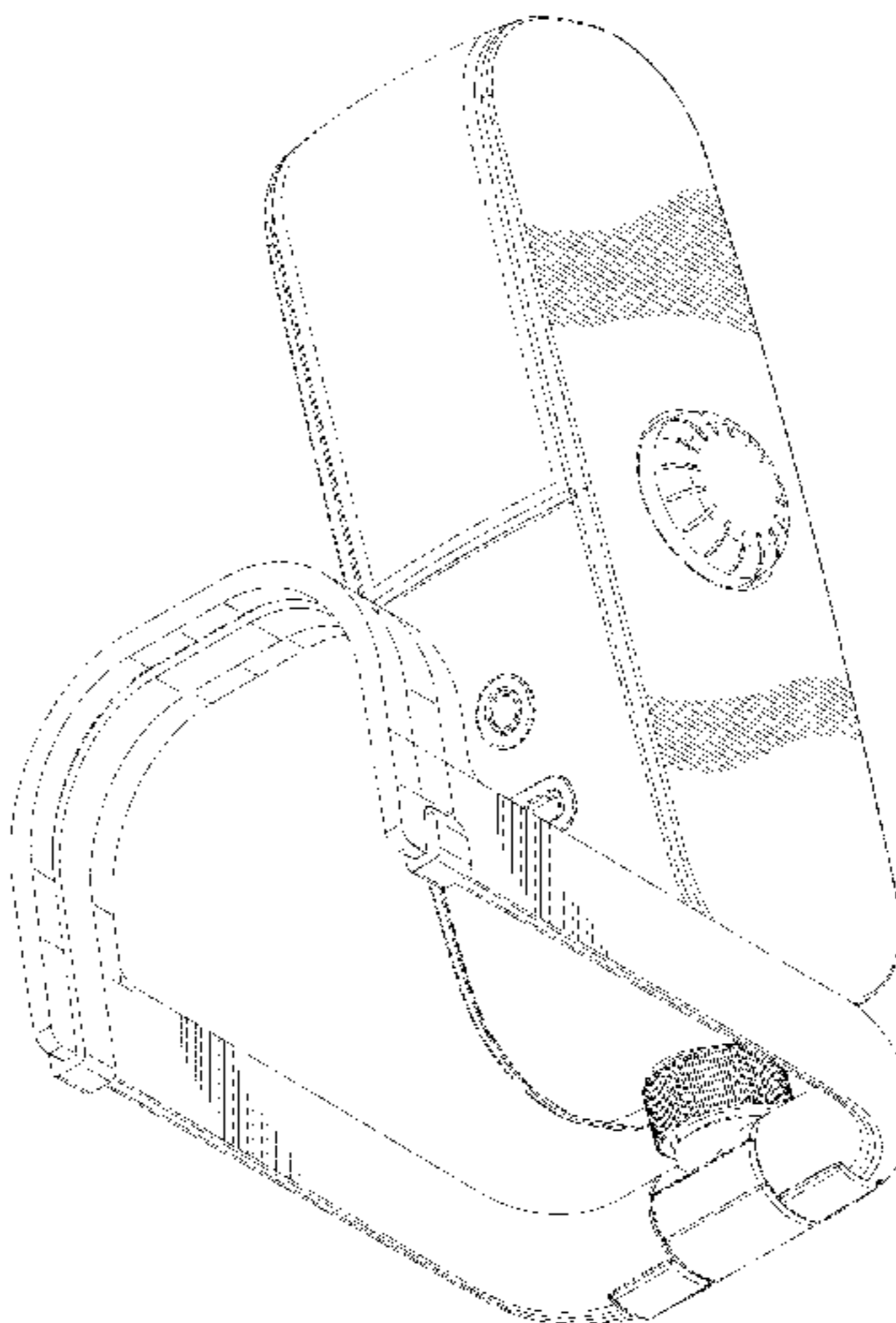
FIG. 8 is a bottom plan view thereof.

The broken lines in the drawings depict portions of the microphone that form no part of the claimed design.

**1 Claim, 7 Drawing Sheets**



©2016 BALTIC LATVIAN UNIVERSAL ELECTRONICS, LLC



©2016 BALTIC LATVIAN UNIVERSAL ELECTRONICS, LLC

(56)

**References Cited**

U.S. PATENT DOCUMENTS

2008/0152174 A1\* 6/2008 Marshall ..... H04R 19/04  
381/172

OTHER PUBLICATIONS

Blue Raspberry Premium Mobile USB Microphone, posted at Amazon.com, posted on Sep. 15, 2016, site visited Feb. 1, 2018, <<https://www.amazon.com/Blue-Raspberry-Premium-Microphone-Lightning/dp/B01LVY346Q>>.\*

Raspberry, the Ultimate Mobile USB Microphone for PC, Mac, iPhone and iPad, posted at YouTube.com, :18 seconds, posted on Sep. 27, 2016, site visited Feb. 1, 2018, <<https://www.youtube.com/watch?v=slsFslcfU1g>>.\*

\* cited by examiner

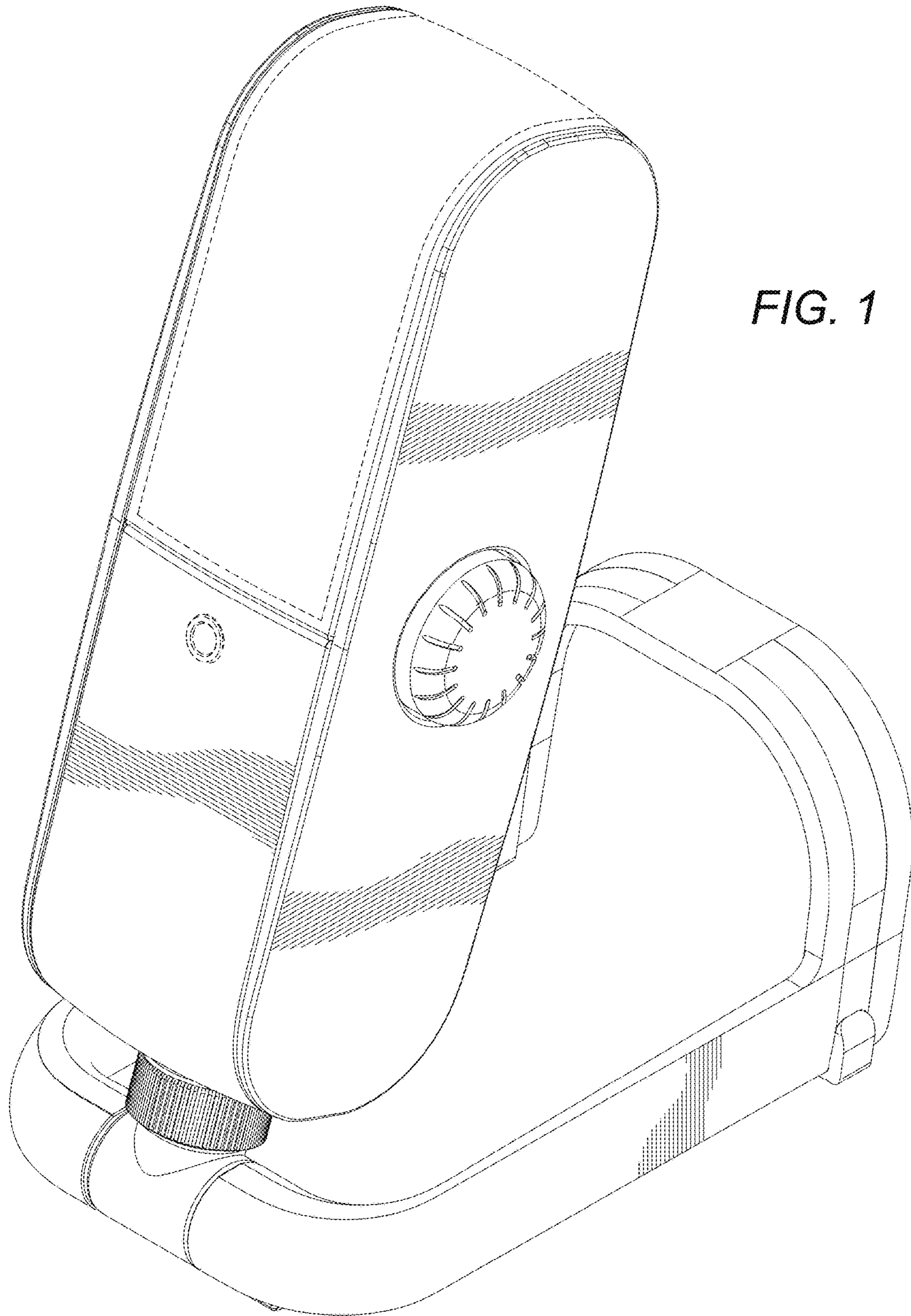
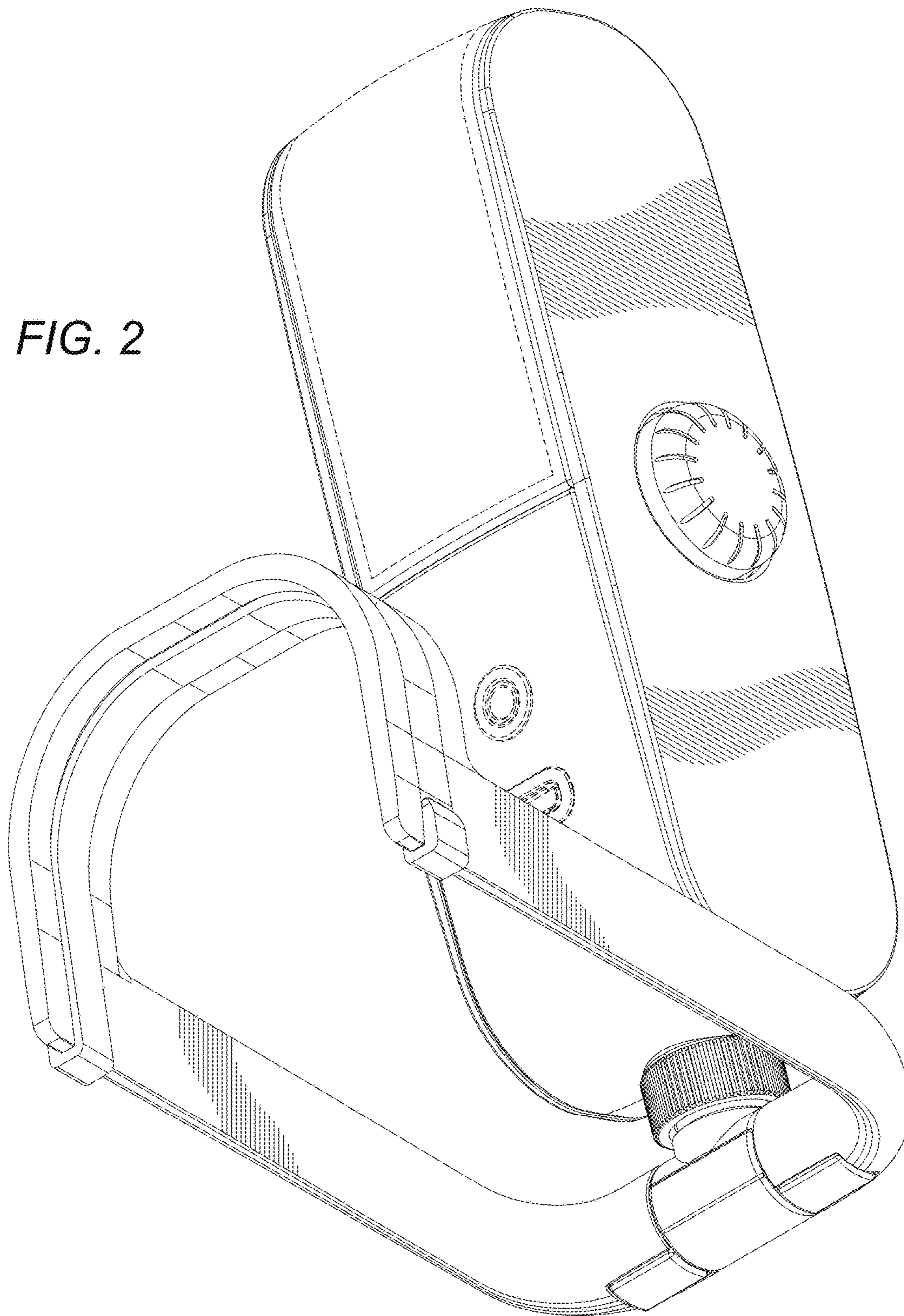


FIG. 1

FIG. 2



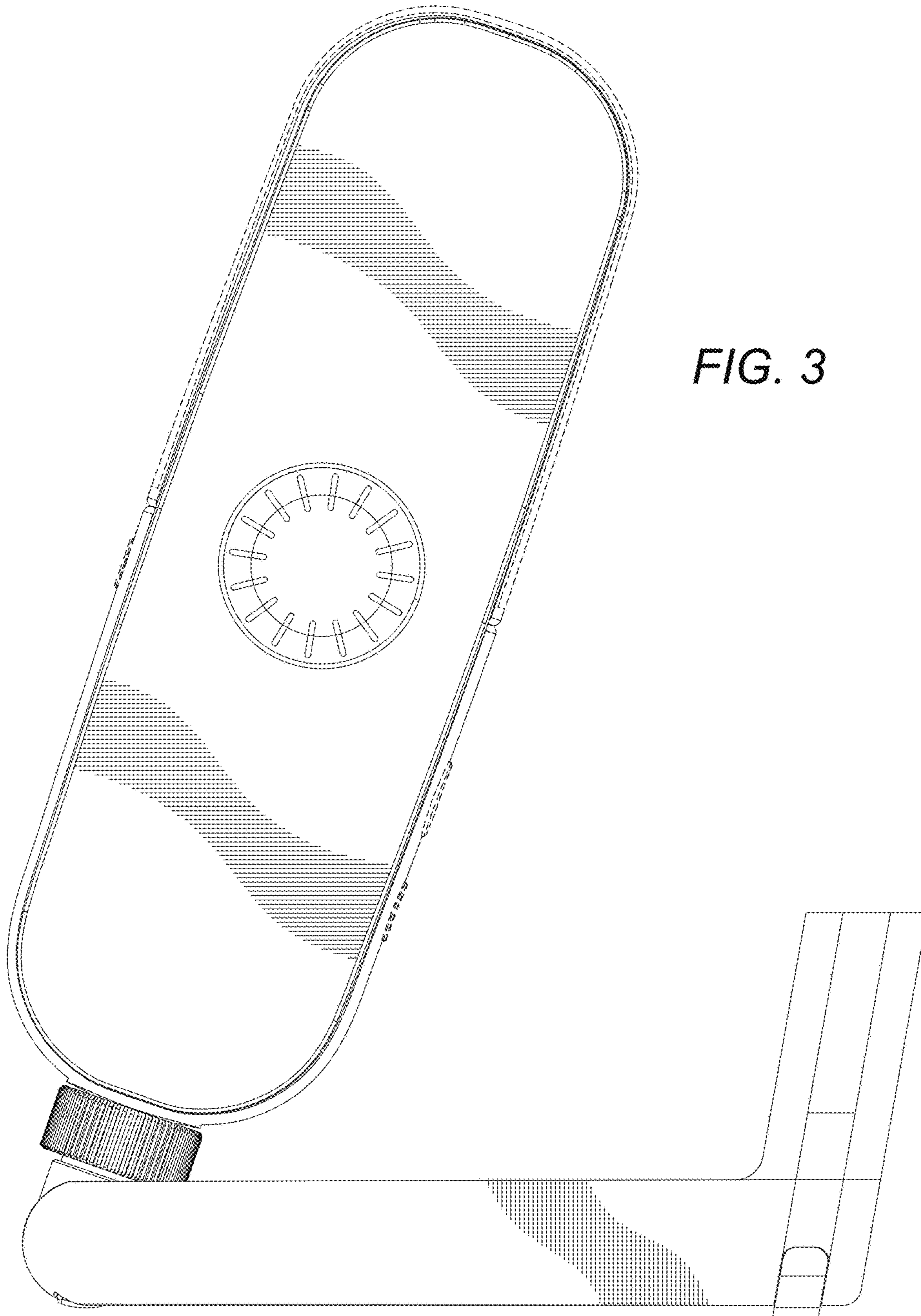


FIG. 3

FIG. 4

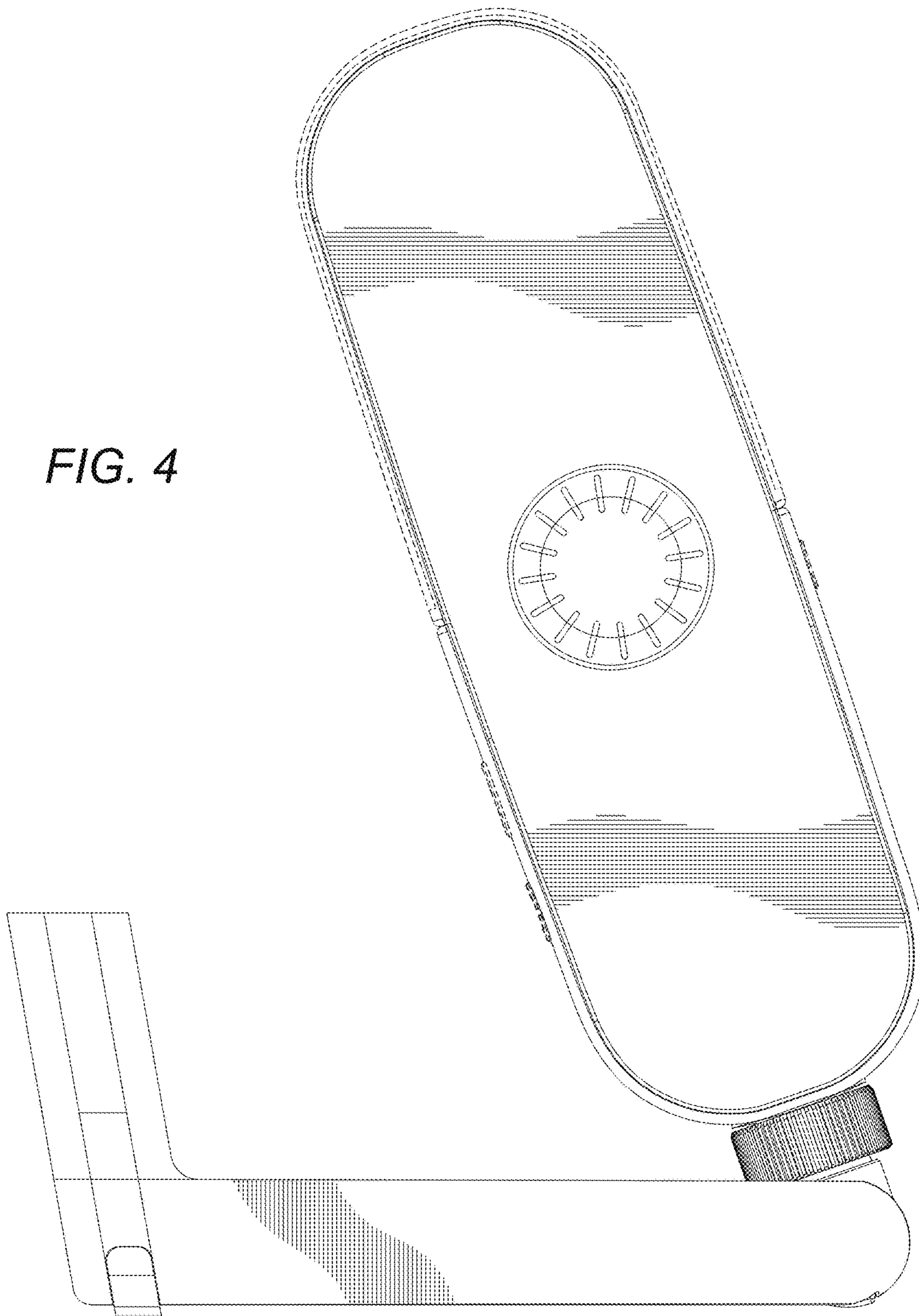


FIG. 5

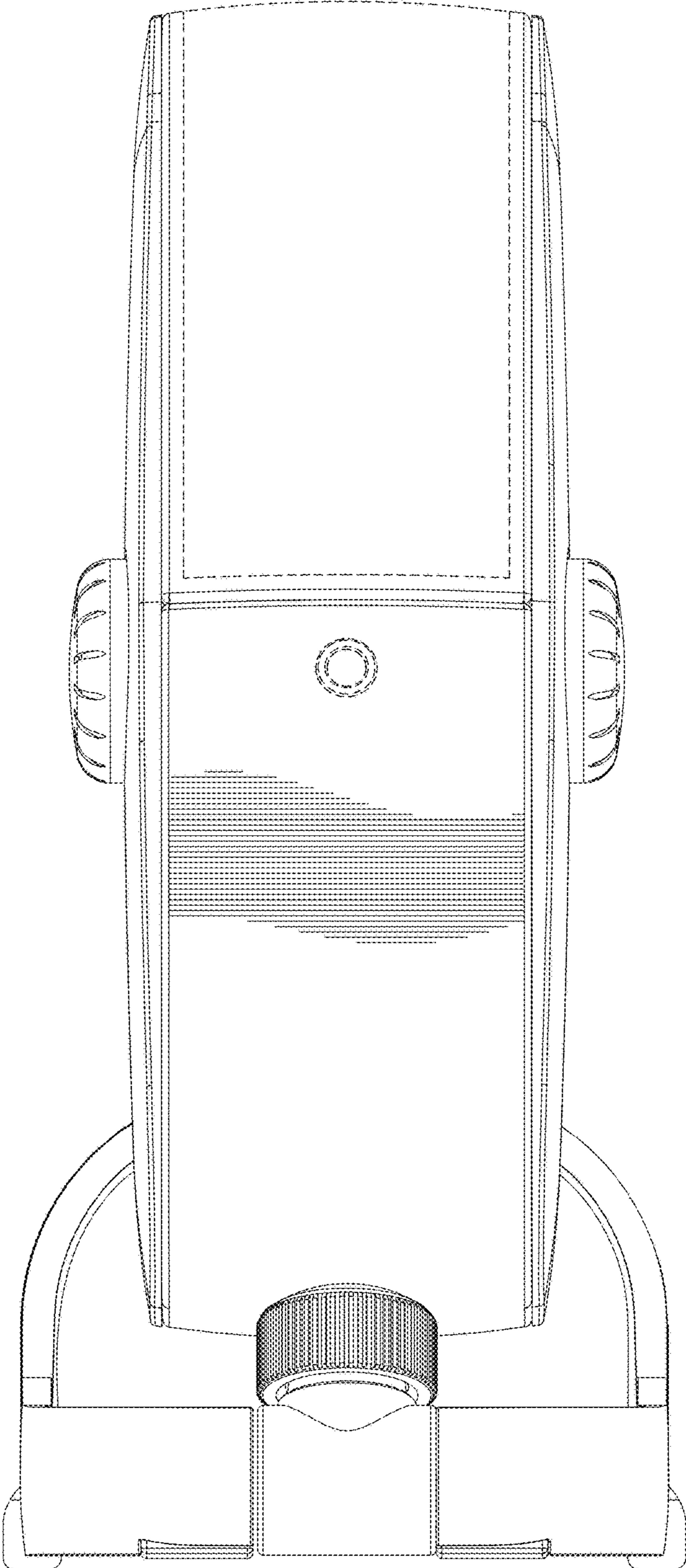


FIG. 6

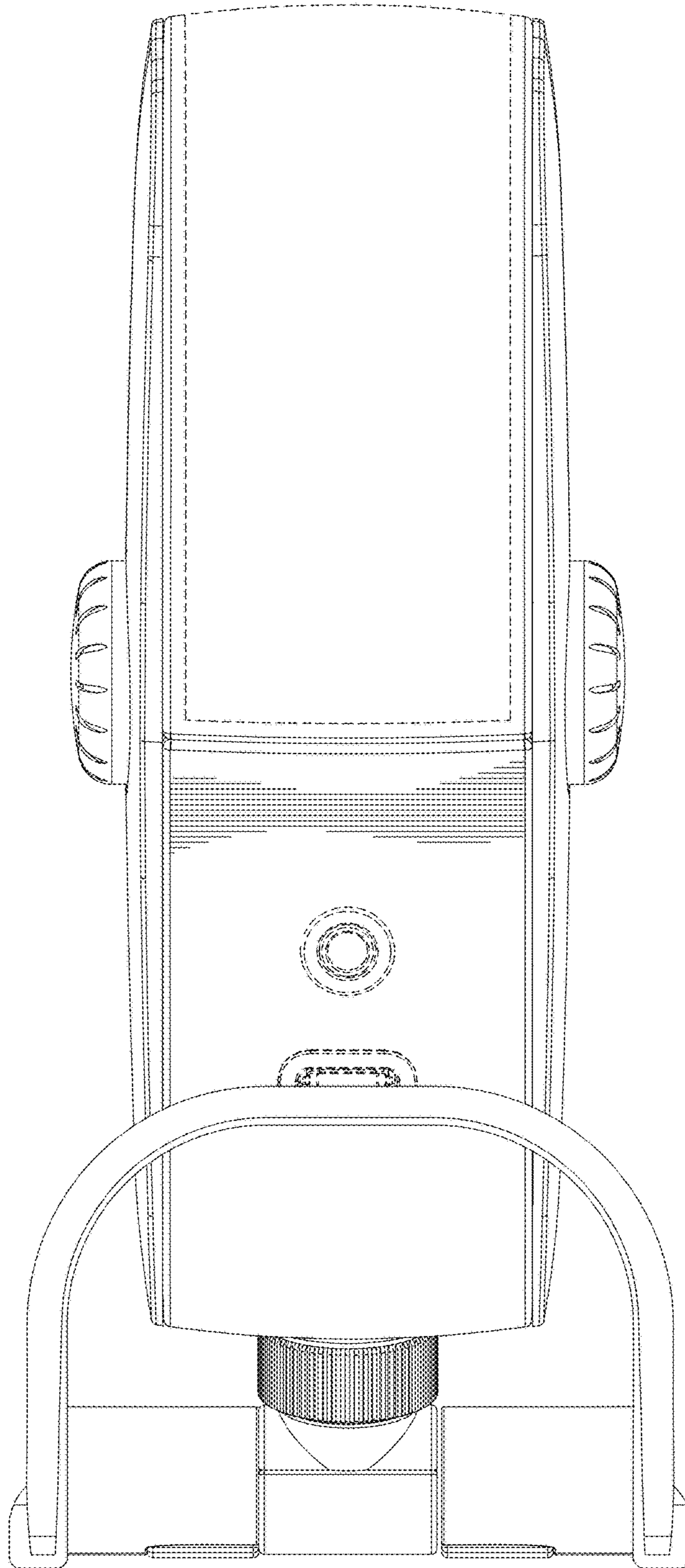
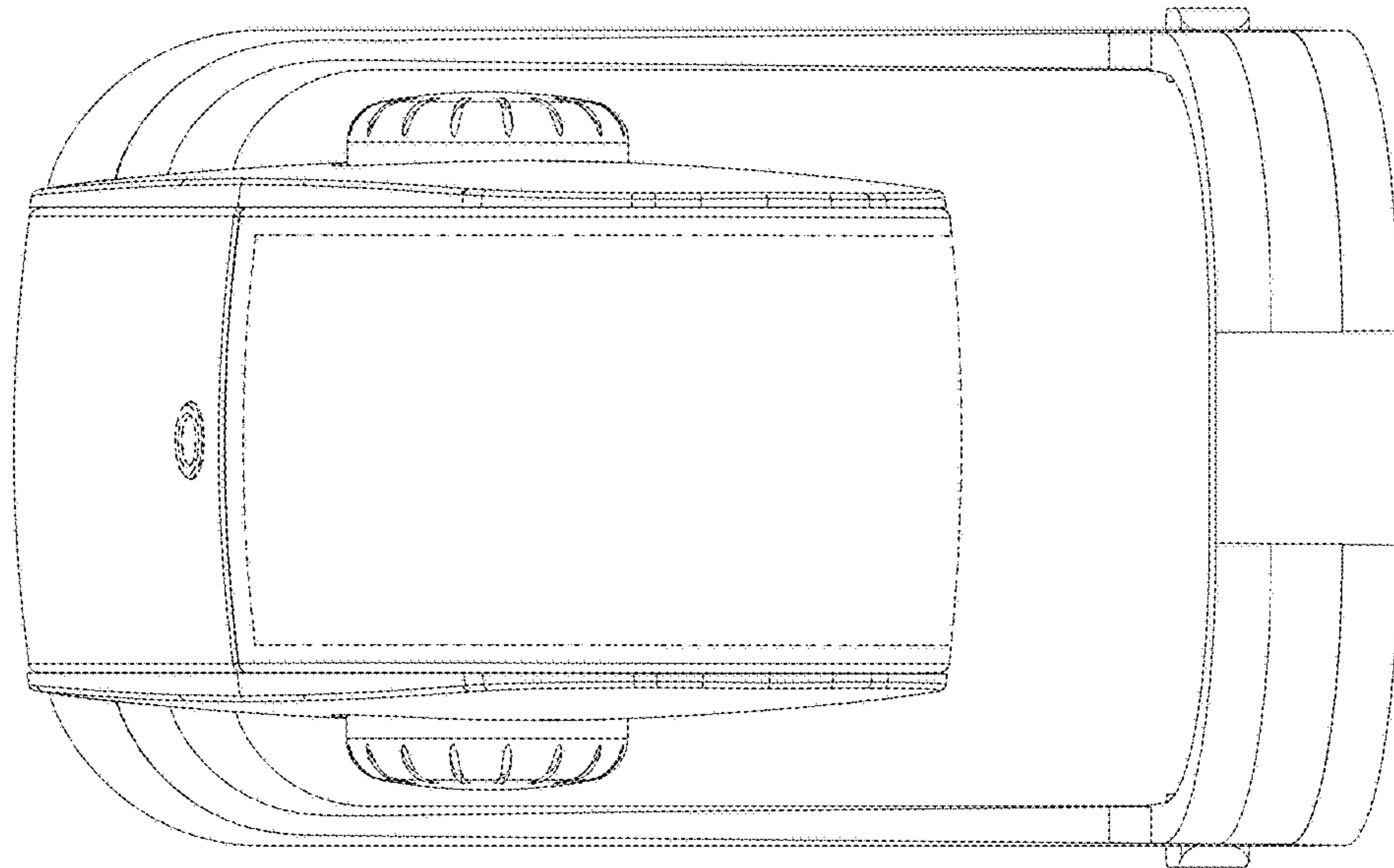




FIG. 7



©2016 BALTIC LATVIAN UNIVERSAL ELECTRONICS, LLC

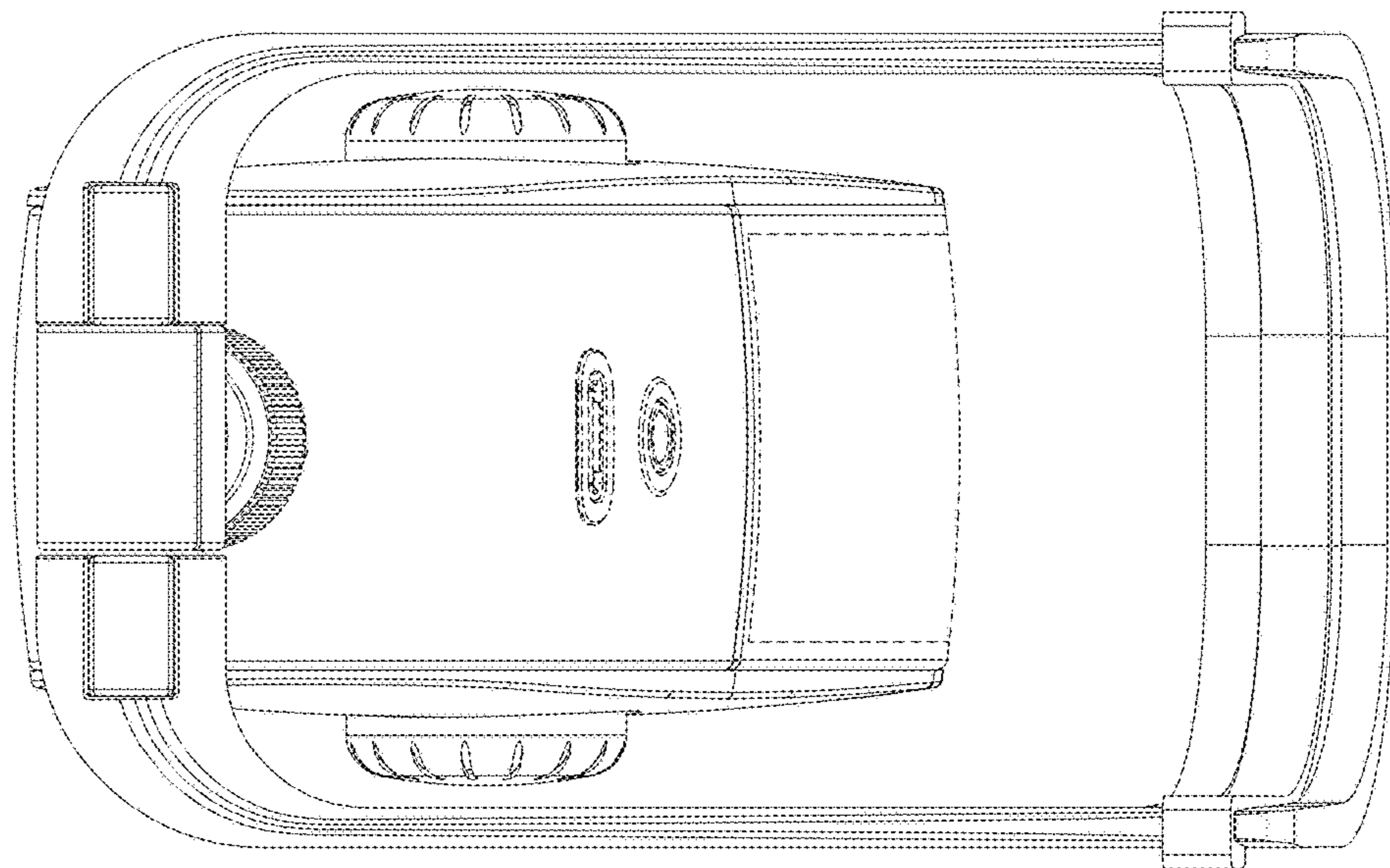


FIG. 8

©2016 BALTIC LATVIAN UNIVERSAL ELECTRONICS, LLC