



US00D826906S

(12) **United States Design Patent** (10) **Patent No.:** **US D826,906 S**
Lasnier de Lavalette (45) **Date of Patent:** **** Aug. 28, 2018**

(54) **SPEAKER MOUNT**

(71) Applicant: **Christian Lasnier de Lavalette**, Lake Worth, FL (US)

(72) Inventor: **Christian Lasnier de Lavalette**, Lake Worth, FL (US)

(**) Term: **15 Years**

(21) Appl. No.: **29/582,185**

(22) Filed: **Oct. 25, 2016**

(51) **LOC (11) Cl.** **14-03**

(52) **U.S. Cl.**
USPC **D14/224; D8/349**

(58) **Field of Classification Search**

USPC D14/167, 168, 170–172, 188, 194–196, D14/204, 207, 209.1, 210–216, 219, 221, D14/222, 224, 239, 496, 217; 181/143, 181/144, 147, 148, 150, 153, 157, 198, 181/199; 381/300–303, 306, 332, 333, 381/336, 345, 361–364, 386–388; 369/6–12; D8/349, 354, 373, 380

CPC B60R 11/0217; G06F 1/1688; G10K 9/22; G10K 11/004; H03F 1/327; H04M 1/03; H04M 1/035; H04N 5/642; H04N 21/4852; H04R 1/02; H04R 1/06; H04R 1/021; H04R 1/025; H04R 1/026; H04R 1/028; H04R 1/105; H04R 1/323; H04R 1/403; H04R 1/2803; H04R 1/2834; H04R 5/02; H04R 7/20; H04R 9/06; H04R 9/025; H04R 2201/021; H04R 2400/00; H04R 2400/07; H04R 2499/11; H04R 2499/13; H04R 2499/15; H04S 3/00; H04S 7/30

See application file for complete search history.

(56) **References Cited**

U.S. PATENT DOCUMENTS

3,859,480 A	1/1975	Birkner et al.	
4,032,725 A	6/1977	McGee	
D256,915 S	9/1980	Needleman	
5,143,339 A	9/1992	Ashcraft et al.	
5,608,809 A	3/1997	Ueda	
5,734,732 A	3/1998	Lemmon	
6,456,722 B1	9/2002	Davey et al.	
7,366,318 B2 *	4/2008	Nevill	H04R 9/043 381/403
D629,791 S *	12/2010	Wang	D14/216
D654,348 S *	2/2012	Musselman	D8/349
D751,238 S *	3/2016	Siuvatti	D26/113
D763,824 S *	8/2016	Kaplan	D14/215
D766,703 S *	9/2016	Hill	D8/354
D771,016 S *	11/2016	Matsunaga	D14/214
D771,021 S *	11/2016	Matsunaga	D14/214
2005/0047604 A1	3/2005	Wright	
2005/0241876 A1	11/2005	Sperle et al.	

* cited by examiner

Primary Examiner — Keli L Hill

(74) *Attorney, Agent, or Firm* — Payam Moradian

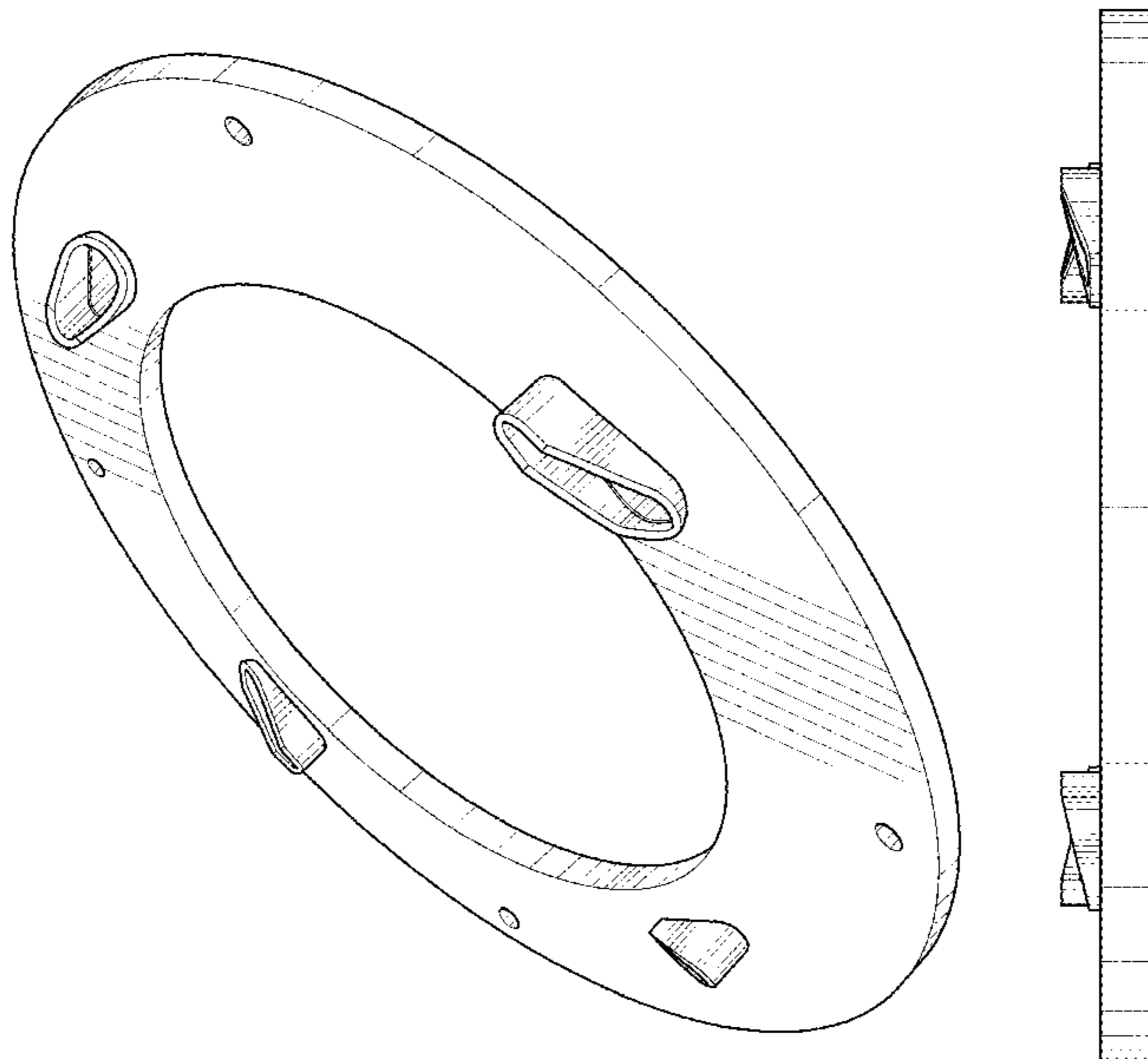
(57) **CLAIM**

The ornamental design for a speaker mount, as shown and described.

DESCRIPTION

FIG. 1 is a bottom perspective view of a speaker mount;
 FIG. 2 is a bottom plan view thereof;
 FIG. 3 is a top plan view thereof;
 FIG. 4 is a left side elevation view thereof;
 FIG. 5 is a right side elevation view thereof;
 FIG. 6 is a front side elevation view thereof; and,
 FIG. 7 is a rear side elevation view thereof.

1 Claim, 5 Drawing Sheets



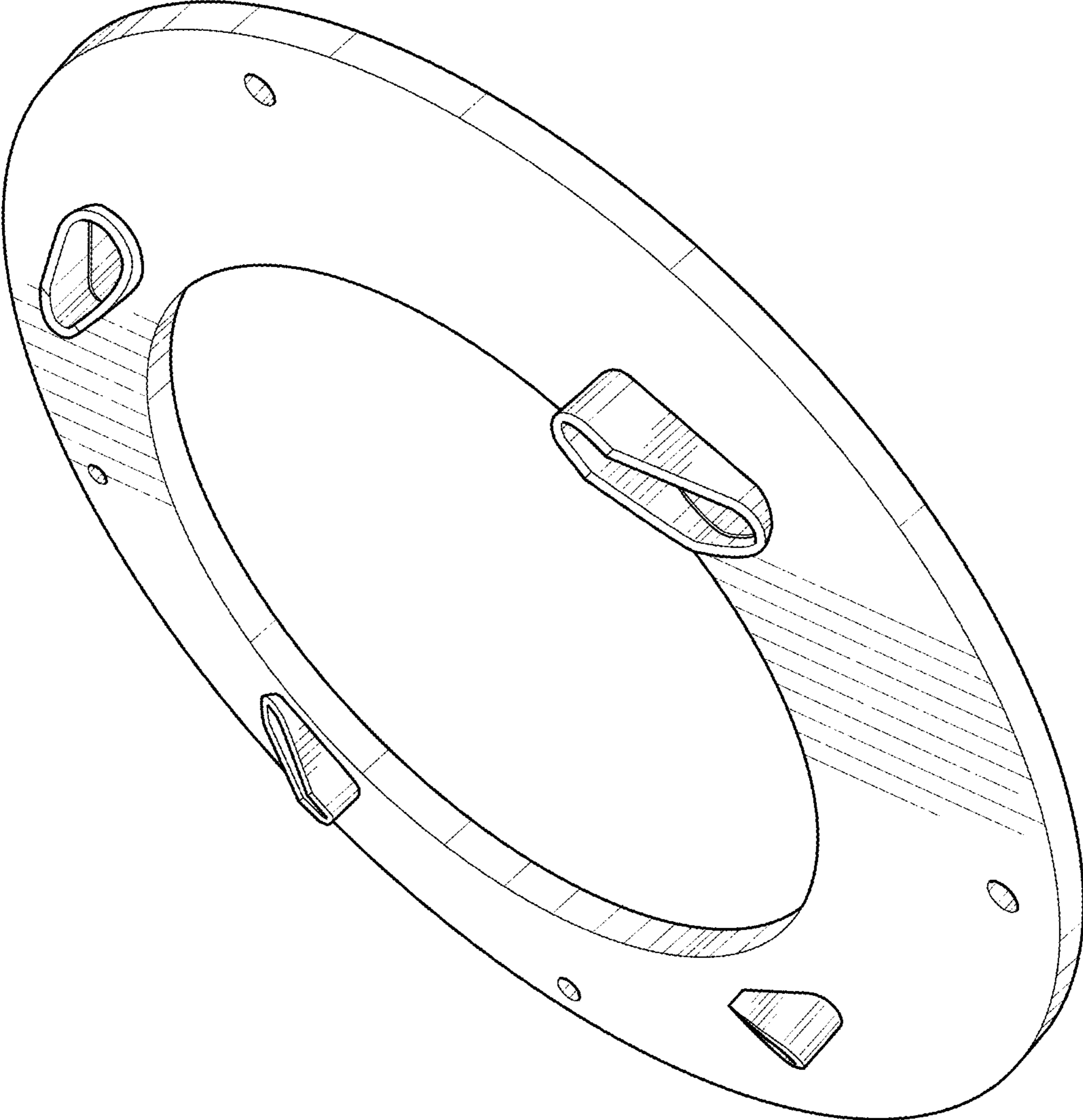


FIG. 1

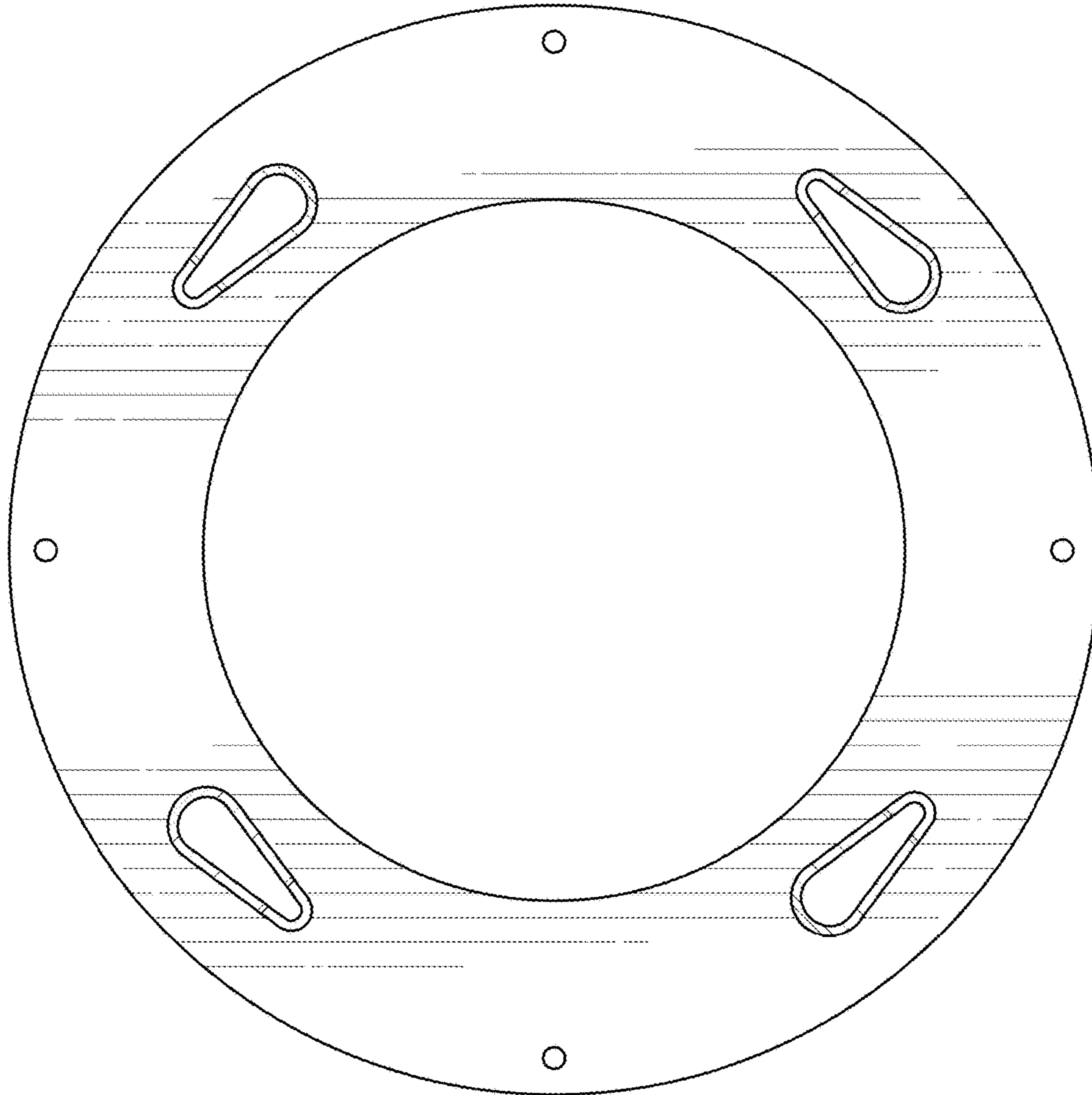


FIG. 2

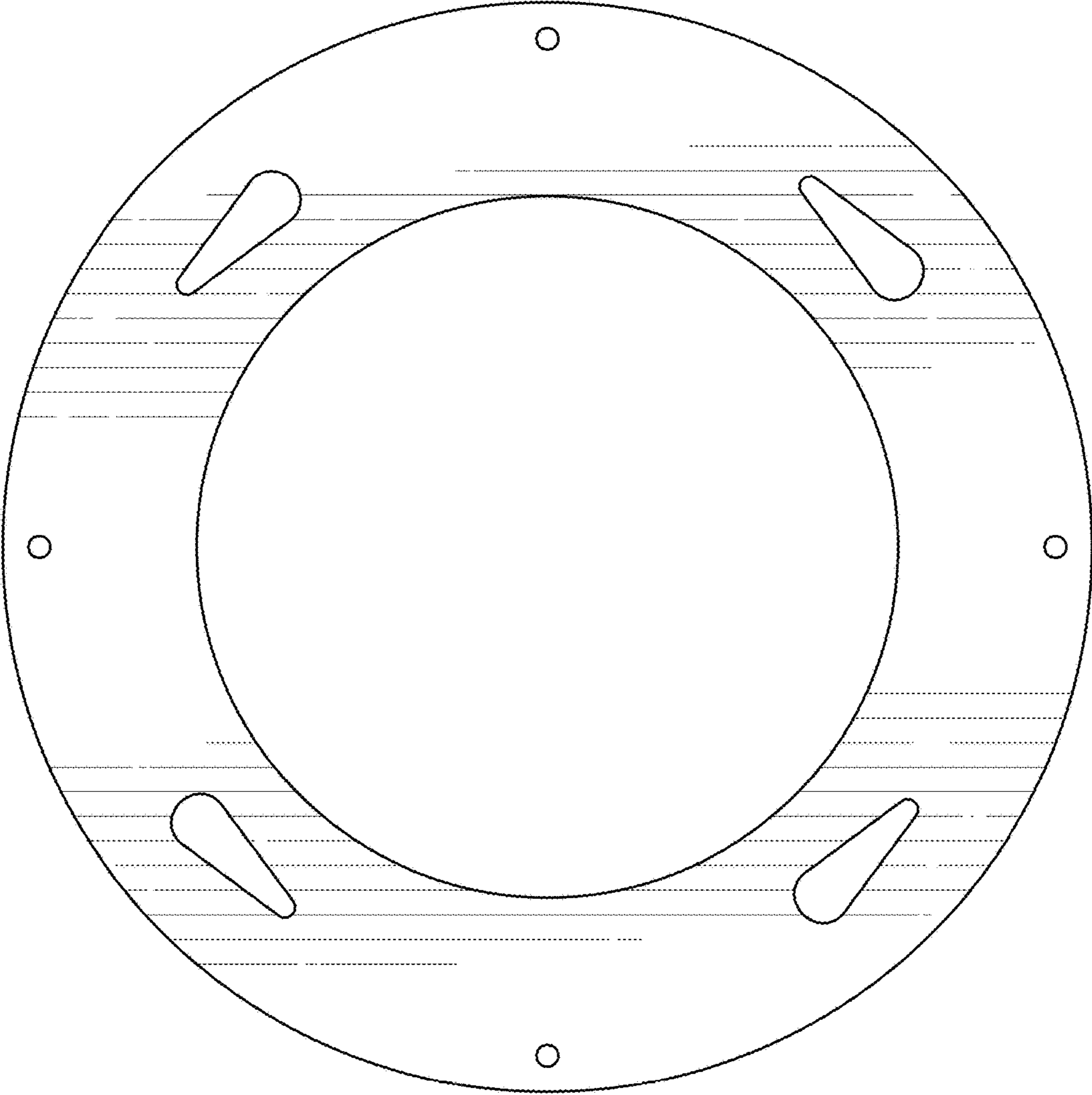


FIG. 3

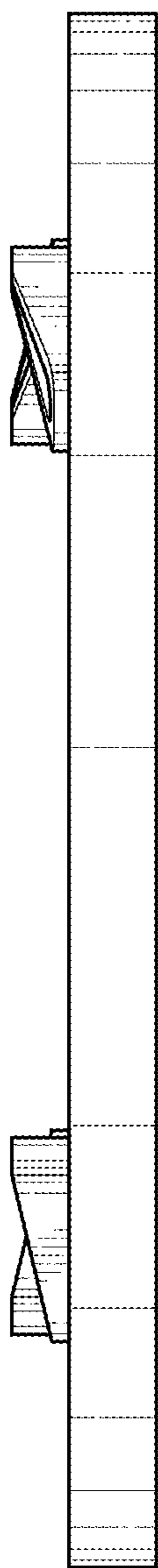


FIG. 4

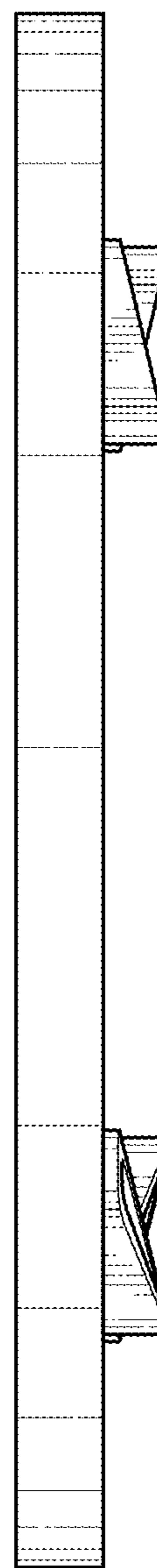


FIG. 5

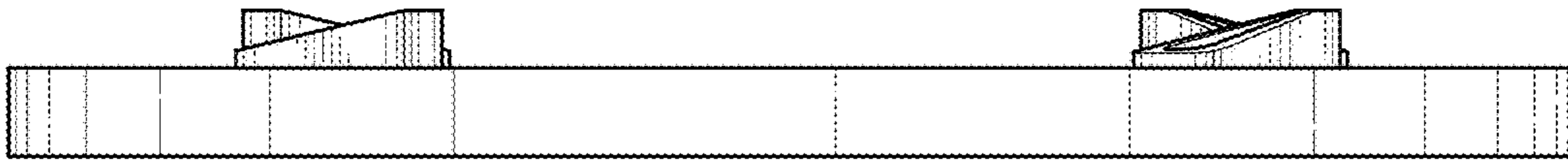


FIG. 6

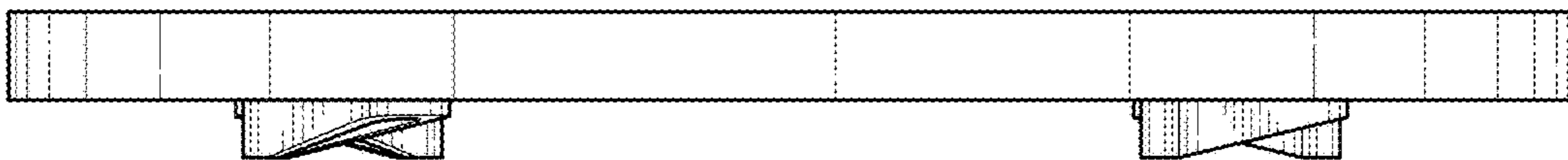


FIG. 7