



US00D826903S

(12) **United States Design Patent**  
**Yang et al.**

(10) **Patent No.:** **US D826,903 S**  
(45) **Date of Patent:** **\*\* Aug. 28, 2018**

(54) **SPEAKER**  
(71) Applicant: **LG ELECTRONICS INC.**, Seoul (KR)  
(72) Inventors: **Heesu Yang**, Seoul (KR); **Areum Kwon**, Seoul (KR); **Woosuk Park**, Seoul (KR); **Gangho Woo**, Seoul (KR); **JunKi Kim**, Seoul (KR)  
(73) Assignee: **LG ELECTRONICS INC.**, Seoul (KR)  
(\*\*) Term: **15 Years**  
(21) Appl. No.: **35/503,437**  
(22) Filed: **Jan. 25, 2017**  
(80) **Hague Agreement Data**  
Int. Filing Date: **Jan. 25, 2017**  
Int. Reg. No.: **DM/094618**  
Int. Reg. Date: **Jan. 25, 2017**  
Int. Reg. Pub. Date: **Jul. 28, 2017**

2201/021; H04R 2400/00; H04R 2400/07;  
H04R 2499/11; H04R 2499/13; H04R 2499/15

See application file for complete search history.

(56) **References Cited**

**U.S. PATENT DOCUMENTS**

D418,836 S *	1/2000	Matt .....	D14/196
D474,175 S *	5/2003	Furusho .....	D14/196
D479,223 S *	9/2003	Furusho .....	D14/196
D500,487 S *	1/2005	Concari .....	D14/188
D538,782 S *	3/2007	Ishibashi .....	D14/168
D582,416 S *	12/2008	Duarte .....	D14/434
D605,631 S *	12/2009	Lee .....	D14/209.1
D666,167 S *	8/2012	Pietzsch .....	D14/196
D674,371 S *	1/2013	Cho .....	D14/188
D676,418 S *	2/2013	Suzuki .....	D14/209.1
D677,244 S *	3/2013	Funayama .....	D14/209.1
D690,286 S *	9/2013	Petersen .....	D14/209.1

(Continued)

*Primary Examiner* — Richard E Chilcot

(74) *Attorney, Agent, or Firm* — Birch, Stewart, Kolasch & Birch, LLP

(30) **Foreign Application Priority Data**

Aug. 1, 2016 (KR) ..... 30-2016-0037542

(51) **LOC (11) Cl.** ..... **14-01**

(52) **U.S. Cl.**  
USPC ..... **D14/210**; D14/204  
CPC ..... **H04R 1/02** (2013.01)

(58) **Field of Classification Search**  
USPC ..... D14/168, 188, 194, 195, 196, 204,  
D14/210–216

CPC ..... B60R 11/2017; G06F 1/1688; G10K 9/22;  
G10K 11/004; H03F 1/327; H04M 1/03;  
H04M 1/035; H04N 5/642; H04N  
21/4852; H04S 3/00; H04S 7/30; H04R  
1/02; H04R 1/06; H04R 1/021; H04R  
1/025; H04R 1/026; H04R 1/028; H04R  
1/105; H04R 1/323; H04R 1/403; H04R  
1/2803; H04R 1/2834; H04R 5/02; H04R  
7/20; H04R 9/06; H04R 9/025; H04R

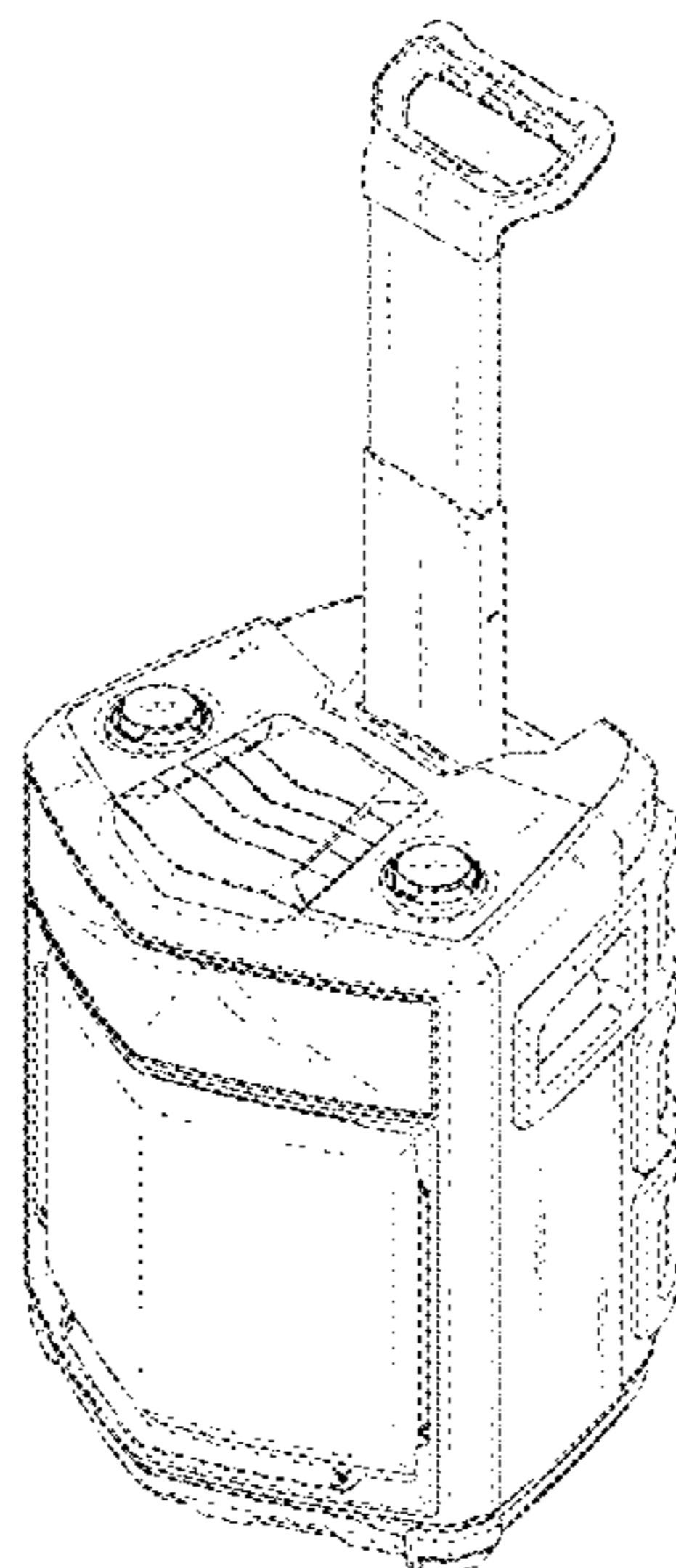
(57) **CLAIM**

The ornamental design for a speaker, as shown and described.

**DESCRIPTION**

- 1. Speaker
- 1.1 : Perspective
- 1.2 : Front
- 1.3 : Back
- 1.4 : Left
- 1.5 : Right
- 1.6 : Top
- 1.7 : Bottom
- 1.8 : Reference

**1 Claim, 8 Drawing Sheets**



(56)

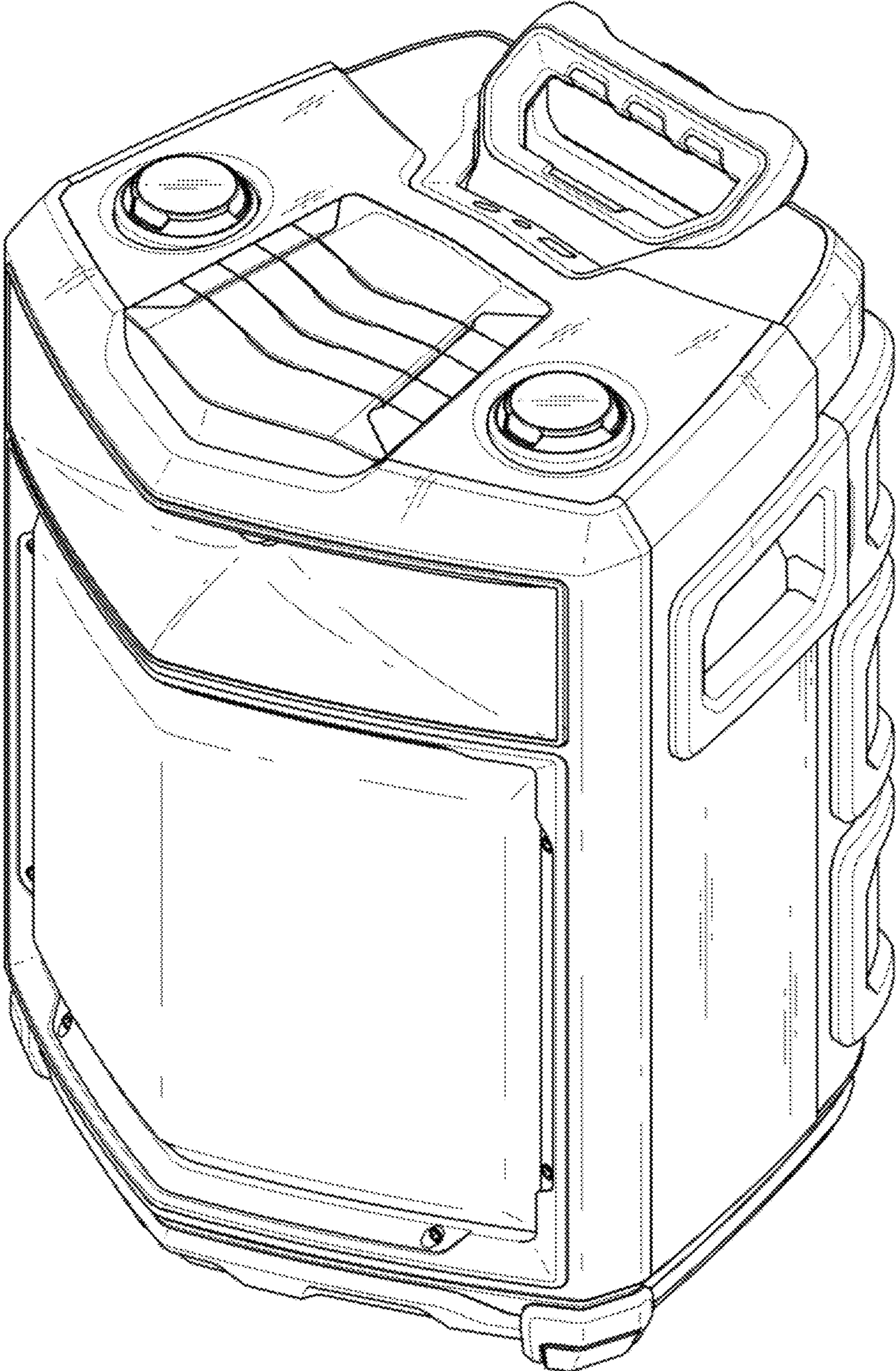
**References Cited**

U.S. PATENT DOCUMENTS

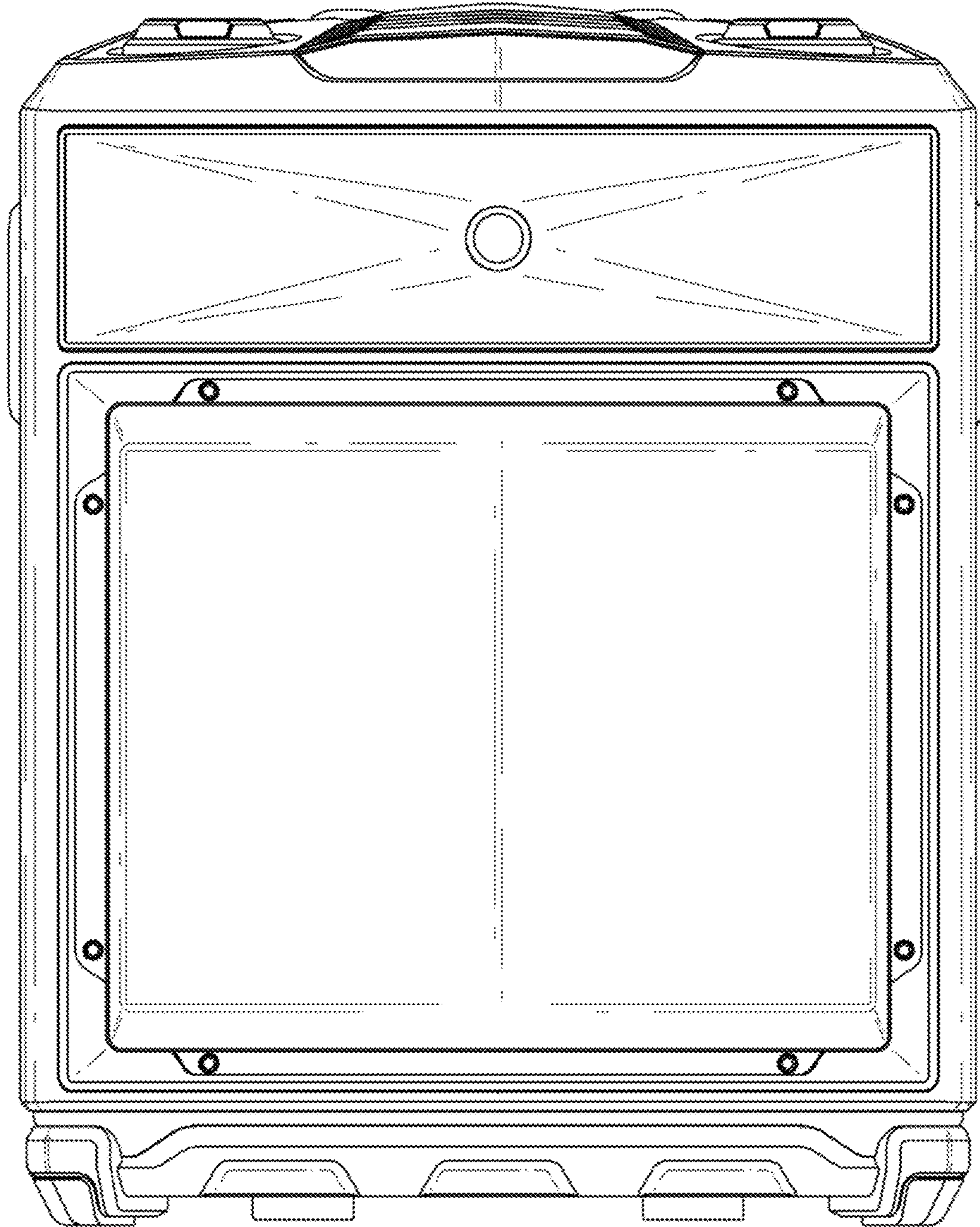
D710,825	S	*	8/2014	Florczak	.....	D14/214
D726,142	S	*	4/2015	Itoh	.....	D14/196
D741,294	S	*	10/2015	Zhu	.....	D14/214
D741,795	S	*	10/2015	Conrad	.....	D13/108
D748,605	S	*	2/2016	McManigal	.....	D14/214
D762,621	S	*	8/2016	Bolton	.....	D14/216
D771,592	S	*	11/2016	Cloarec	.....	D14/212
9,668,039	B2	*	5/2017	Garfio	.....	H04R 1/02
D793,993	S	*	8/2017	Song	.....	D14/214
D794,604	S	*	8/2017	Cheney	.....	D14/204
9,781,496	B2	*	10/2017	Conrad	.....	H04R 1/00
2006/0083396	A1	*	4/2006	Kung	.....	H04R 1/02
						381/334
2017/0127184	A1	*	5/2017	Mertel	.....	H04R 3/12

\* cited by examiner

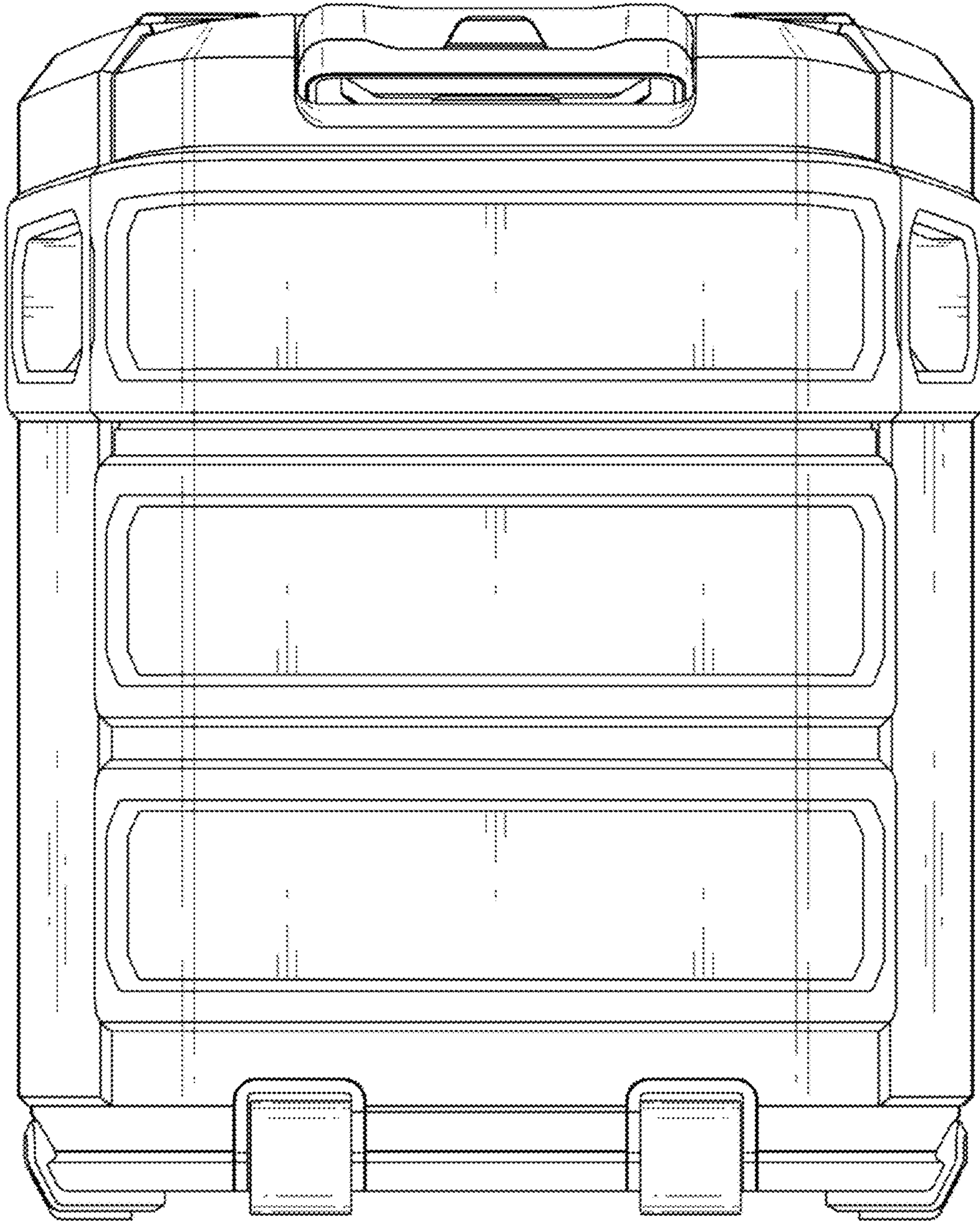
1.1



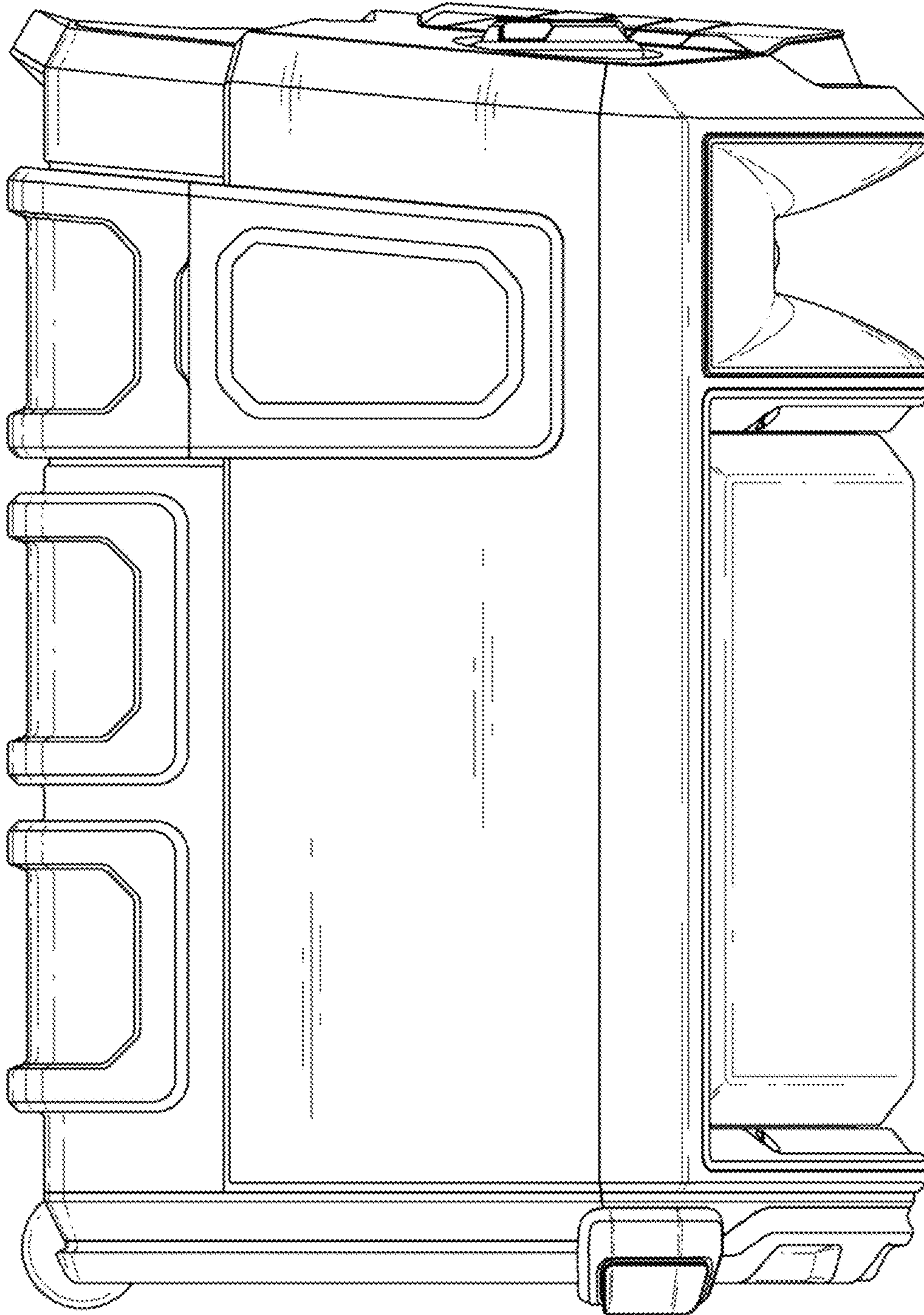
1.2



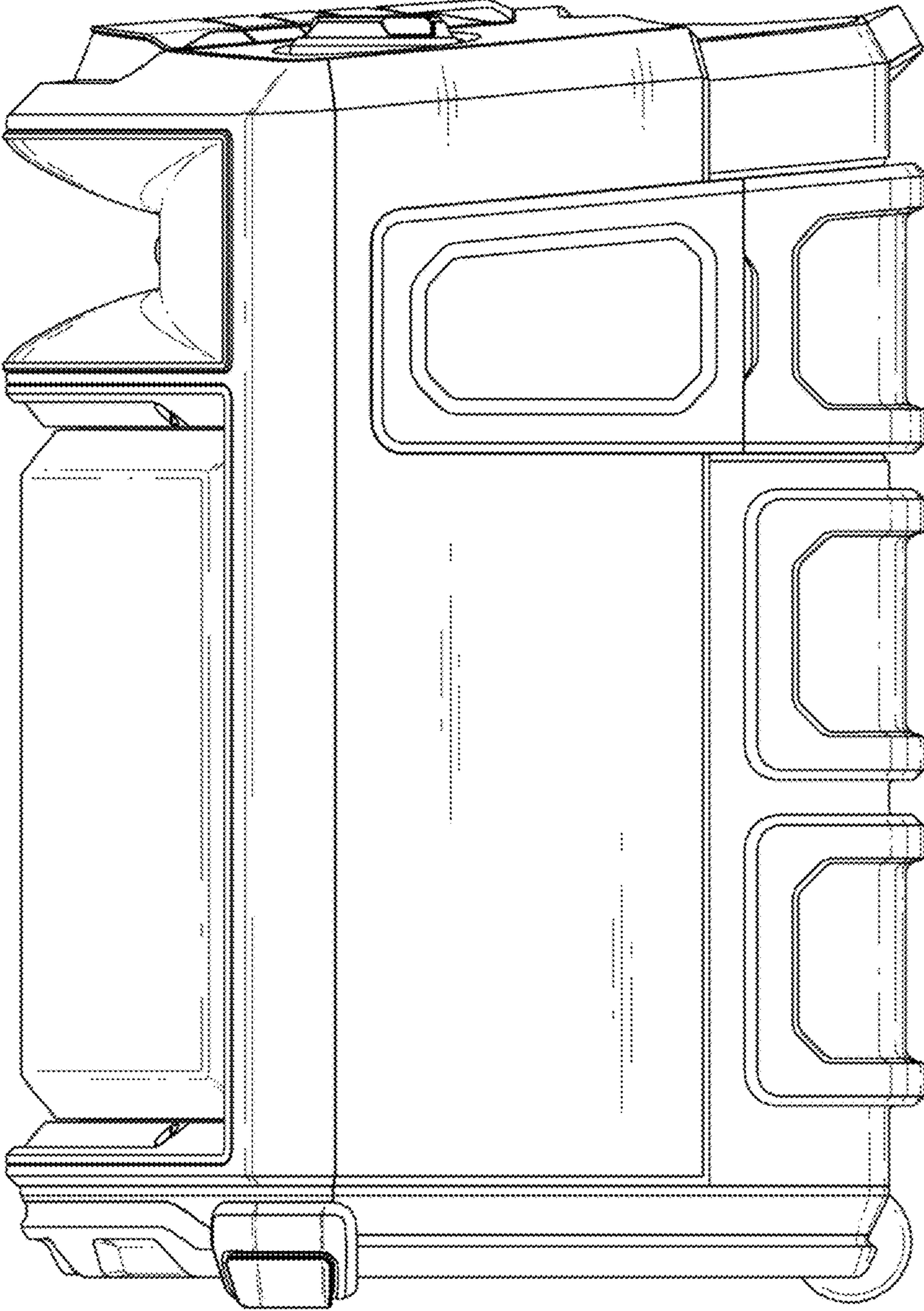
1.3



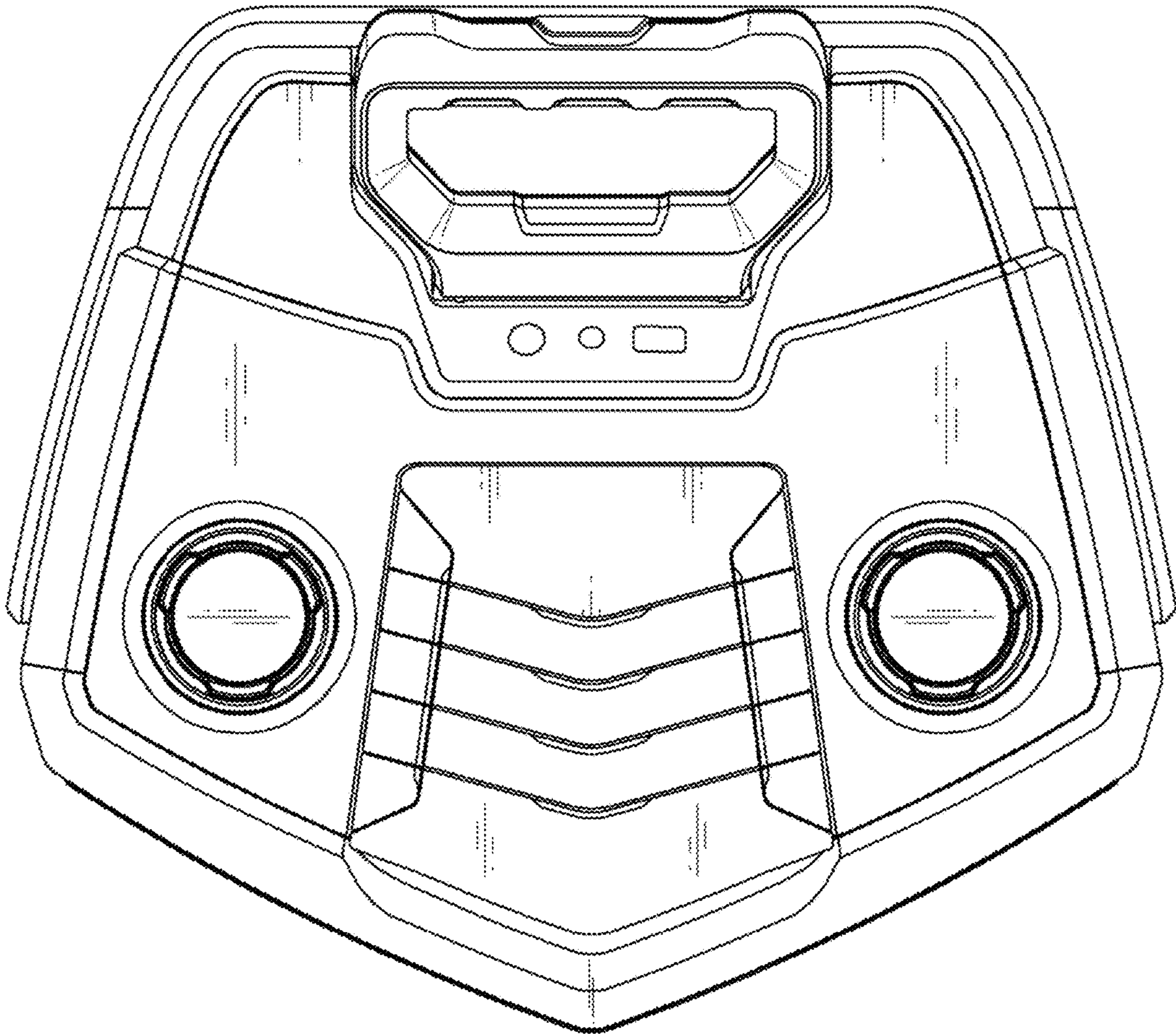
1.4



1.5

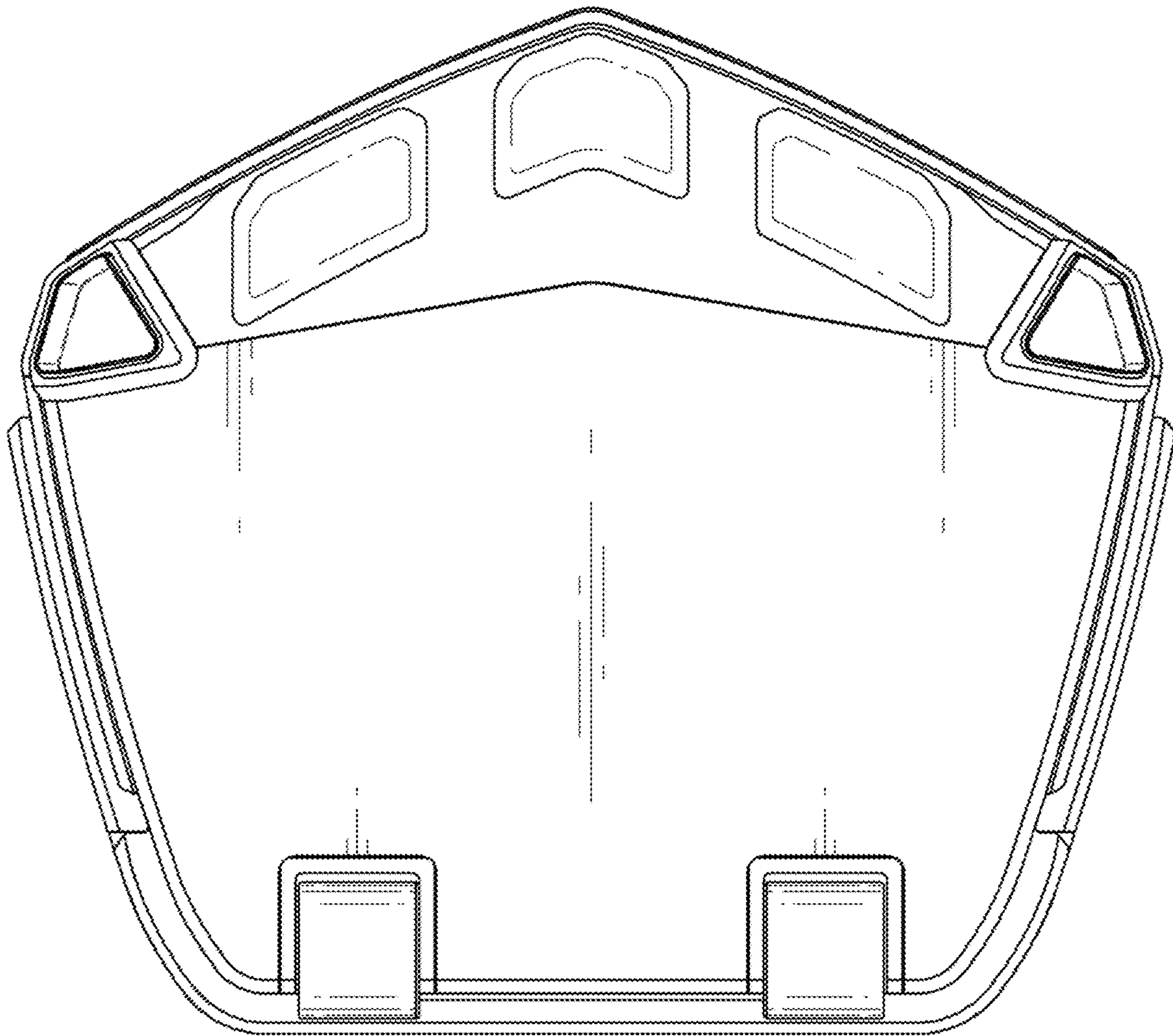


1.6





1.7



1.8

