

US00D826902S

(12) **United States Design Patent**
Eaton

(10) **Patent No.:** **US D826,902 S**

(45) **Date of Patent:** **** Aug. 28, 2018**

(54) **COMPONENT AND SPEAKER ASSEMBLY WITH INTEGRATED DOLLY**

(71) Applicant: **RockDolly Equipment, LLC**,
Springfield, MO (US)

(72) Inventor: **Cameron Eaton**, Springfield, MO (US)

(73) Assignee: **Monolith Cooperation, LLC**,
Springfield, MO (US)

(**) Term: **15 Years**

(21) Appl. No.: **29/588,979**

(22) Filed: **Dec. 27, 2016**

(51) **LOC (11) Cl.** **14-01**

(52) **U.S. Cl.**

USPC **D14/209.1**

(58) **Field of Classification Search**

USPC D14/209.1, 214, 204, 215; D34/12, 14, D34/19, 20, 23, 24, 25, 26, 27; 181/144, 181/145, 147, 160, 166, 150, 151, 148, 181/152, 156, 199; 248/282.1, 323, 317; 343/702, 869; 312/7.1; 381/151, 340, 381/341, 345, 86, 348, 386, 89, 90; 455/575.8; 280/79.11; 108/53.3
CPC . H04R 1/02; H04R 25/00; H04R 1/28; H04R 9/06; H05K 5/00; H05K 5/02; G10K 11/00; B62B 1/00

See application file for complete search history.

(56) **References Cited**

U.S. PATENT DOCUMENTS

2,632,055 A * 3/1953 Parker H04R 1/227
181/145
2,822,884 A * 2/1958 Simpson H04R 1/2865
181/156

2,827,302 A * 3/1958 Skyrud B62B 3/16
108/53.5
2,917,127 A * 12/1959 Elliott H04R 1/2819
181/151
3,047,090 A * 7/1962 Pruden H04R 1/2857
181/152

(Continued)

Primary Examiner — Paula Allen Greene

(74) *Attorney, Agent, or Firm* — Lathrop Gage L.L.P.

(57) **CLAIM**

An ornamental design for a component and speaker assembly with integrated dolly, as shown and described.

DESCRIPTION

FIG. 1 is a perspective view of the component and speaker assembly with integrated dolly, showing the inventive design;

FIG. 2 is another perspective view;

FIG. 3 is a front plan view;

FIG. 4 is a back plan view;

FIG. 5 is a first side view;

FIG. 6 is a side view opposite the side shown in FIG. 5;

FIG. 7 is a top view;

FIG. 8 is a bottom view;

FIG. 9 is a perspective view showing a speaker element in a second orientation;

FIG. 10 is another perspective view of the inventive design as shown in FIG. 9;

FIG. 11 is a front plan view of the inventive design as shown in FIG. 9;

FIG. 12 is a back plan view of the inventive design as shown in FIG. 9;

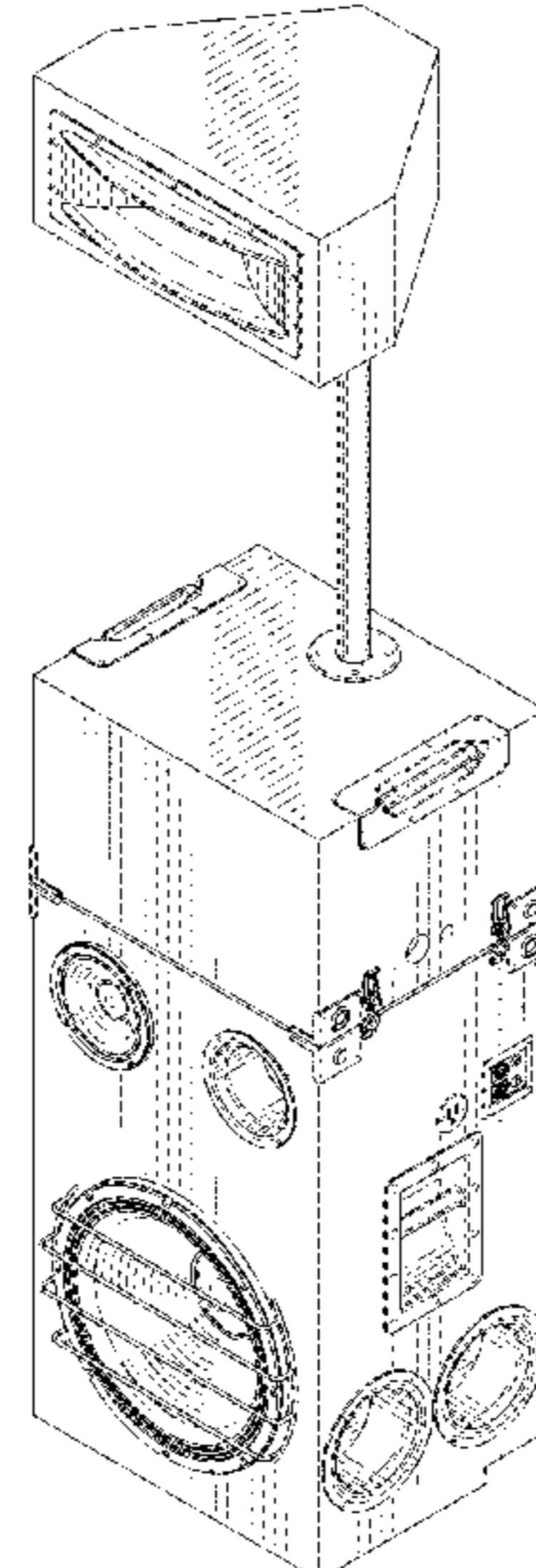
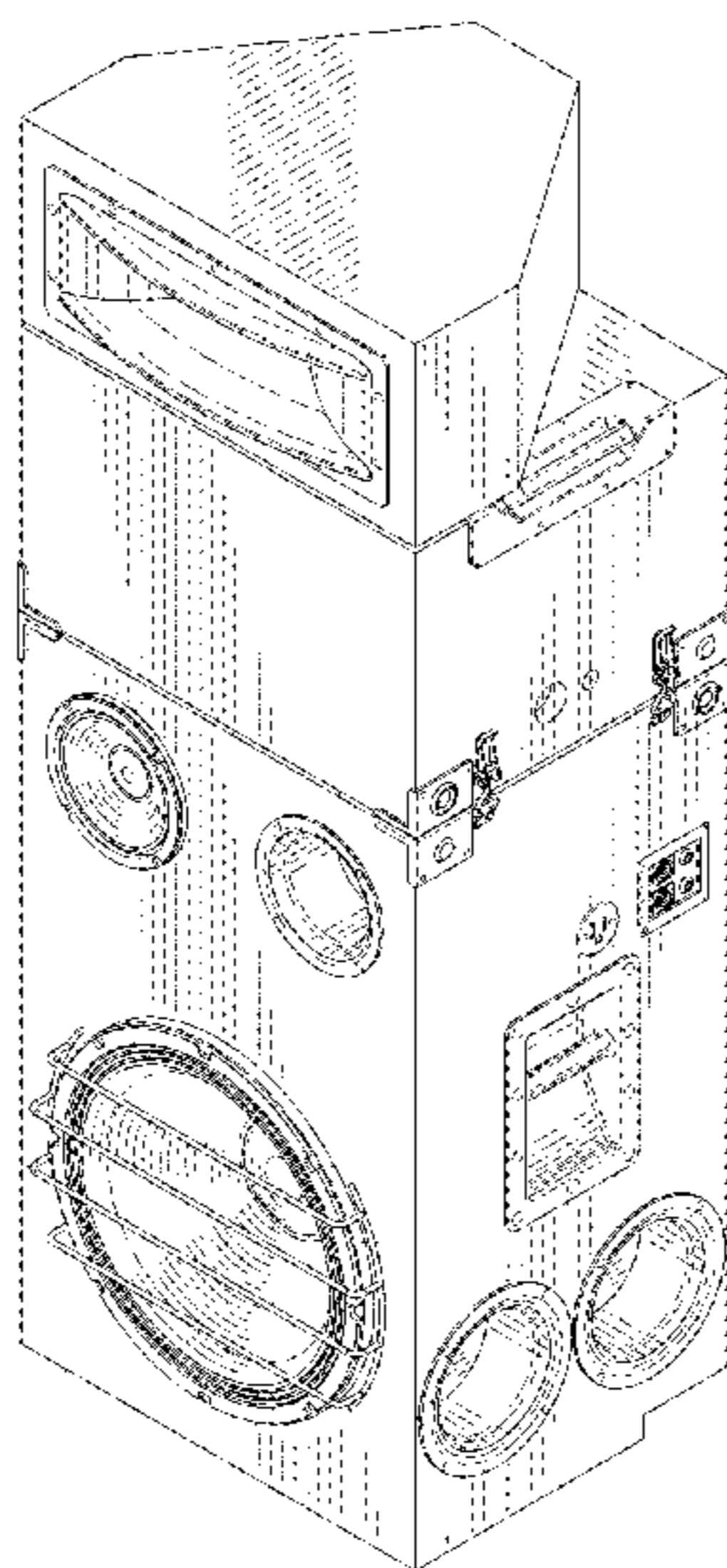
FIG. 13 is a first side view of the inventive design as shown in FIG. 9;

FIG. 14 is a second side view, of the side opposite the side shown in FIG. 13;

FIG. 15 is a top view of the inventive design as shown in FIG. 9; and,

FIG. 16 is a bottom view of the inventive design as shown in FIG. 9.

1 Claim, 10 Drawing Sheets



(56)

References Cited

U.S. PATENT DOCUMENTS

3,183,305 A * 5/1965 Jespersen H04R 1/021
280/79.2
3,241,631 A * 3/1966 Manieri H04R 5/02
181/147
3,379,482 A * 4/1968 Baggott B65D 21/0209
312/111
3,415,532 A * 12/1968 Fingerut A47F 5/135
280/33.998
D222,676 S * 11/1971 Ishikawa D14/214
3,628,805 A * 12/1971 Archer B62B 3/16
280/33.998
4,131,179 A * 12/1978 Pope H04R 1/2819
181/148
4,133,975 A * 1/1979 Barker, III H04R 1/02
381/303
D253,592 S * 12/1979 Takei D14/214
4,214,645 A * 7/1980 Plourde H04R 1/02
181/148
D265,823 S * 8/1982 Hartwein D14/214
D271,967 S * 12/1983 Meyer D14/214
4,593,784 A * 6/1986 Flanders H04R 1/345
181/144
4,843,624 A * 6/1989 Rashak H04R 1/02
181/199
5,000,286 A * 3/1991 Crawford H04R 1/02
181/145
D333,467 S * 2/1993 Yamamoto D14/214
D360,417 S * 7/1995 Mark D14/215
5,511,806 A * 4/1996 McNair A45C 5/14
190/18 A
D392,976 S * 3/1998 Fenner D14/211
5,875,255 A * 2/1999 Campbell H04R 1/2819
181/199
5,906,384 A * 5/1999 Nelson B60D 1/00
280/33.998
D422,593 S * 4/2000 Ito D14/214

D436,946 S * 1/2001 Lin D14/214
D439,238 S * 3/2001 Mackie D14/214
D439,239 S * 3/2001 Ito D14/214
6,411,720 B1 * 6/2002 Pritchard H04R 1/2857
181/156
D480,048 S * 9/2003 Jigamian D13/103
D484,115 S * 12/2003 Nishii D14/215
D544,466 S * 6/2007 Pincek D14/214
D585,051 S * 1/2009 Marchand D14/214
7,516,932 B2 * 4/2009 Engebretson H04R 1/026
248/317
D591,724 S * 5/2009 Davies D14/214
D596,157 S * 7/2009 Warden D14/211
D598,897 S * 8/2009 Arneson D14/214
D618,214 S * 6/2010 Wang D14/209.1
D638,400 S * 5/2011 Hawkins D14/214
D638,580 S * 5/2011 Adams D28/46
D642,555 S * 8/2011 Hawkins D14/214
D645,450 S * 9/2011 Chen D14/215
D654,474 S * 2/2012 Hawkins D14/214
D674,766 S * 1/2013 Desrosiers D14/204
D675,188 S * 1/2013 Hawkins D14/204
D678,246 S * 3/2013 Davies D14/204
D701,853 S * 4/2014 Wilson D14/214
D705,191 S * 5/2014 Boudreau D14/214
D711,856 S * 8/2014 Kim D14/221
D723,518 S * 3/2015 Moon D14/215
D729,770 S * 5/2015 Yoo D14/214
D733,680 S * 7/2015 Nugent D14/214
D744,981 S * 12/2015 Choi D14/209.1
D754,628 S * 4/2016 Baird D14/204
D759,631 S * 6/2016 Espinosa D14/215
D764,444 S * 8/2016 Sulzer D14/210
D776,638 S * 1/2017 Pietschmann D14/209.1
D803,809 S * 11/2017 Pietschmann D14/214
2011/0305362 A1 * 12/2011 McGhee H04R 1/02
381/386
2016/0127813 A1 * 5/2016 MacDonald H04R 1/02
381/332

* cited by examiner

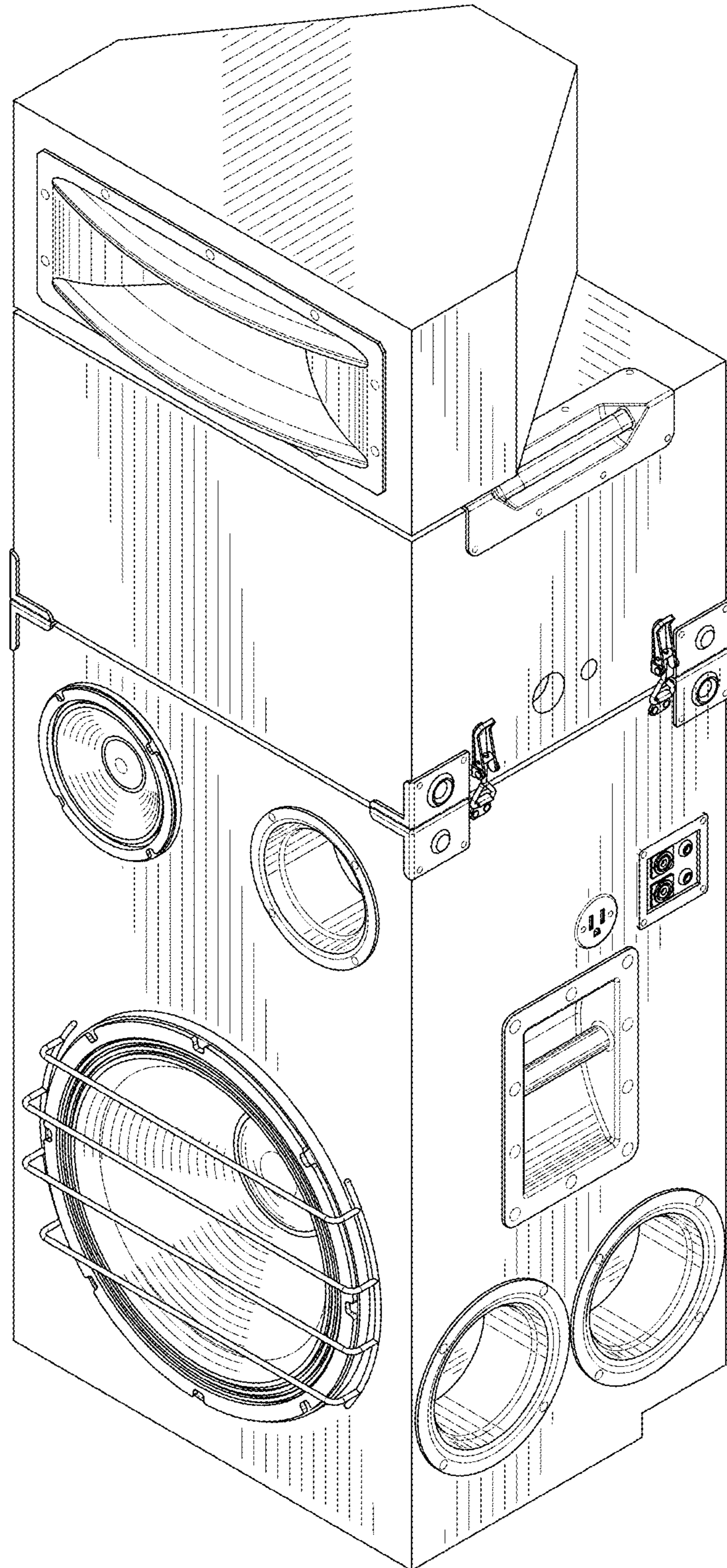


FIG. 1

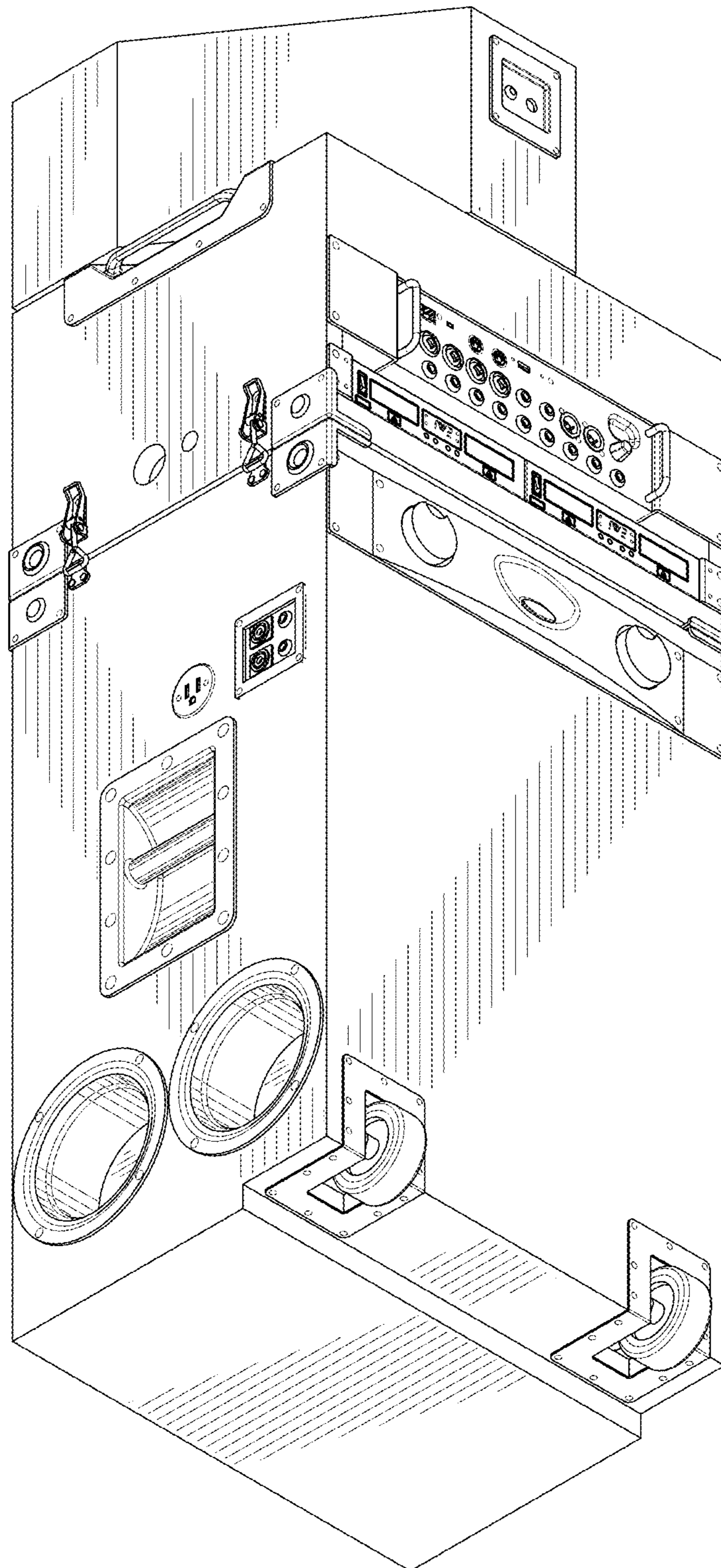


FIG. 2

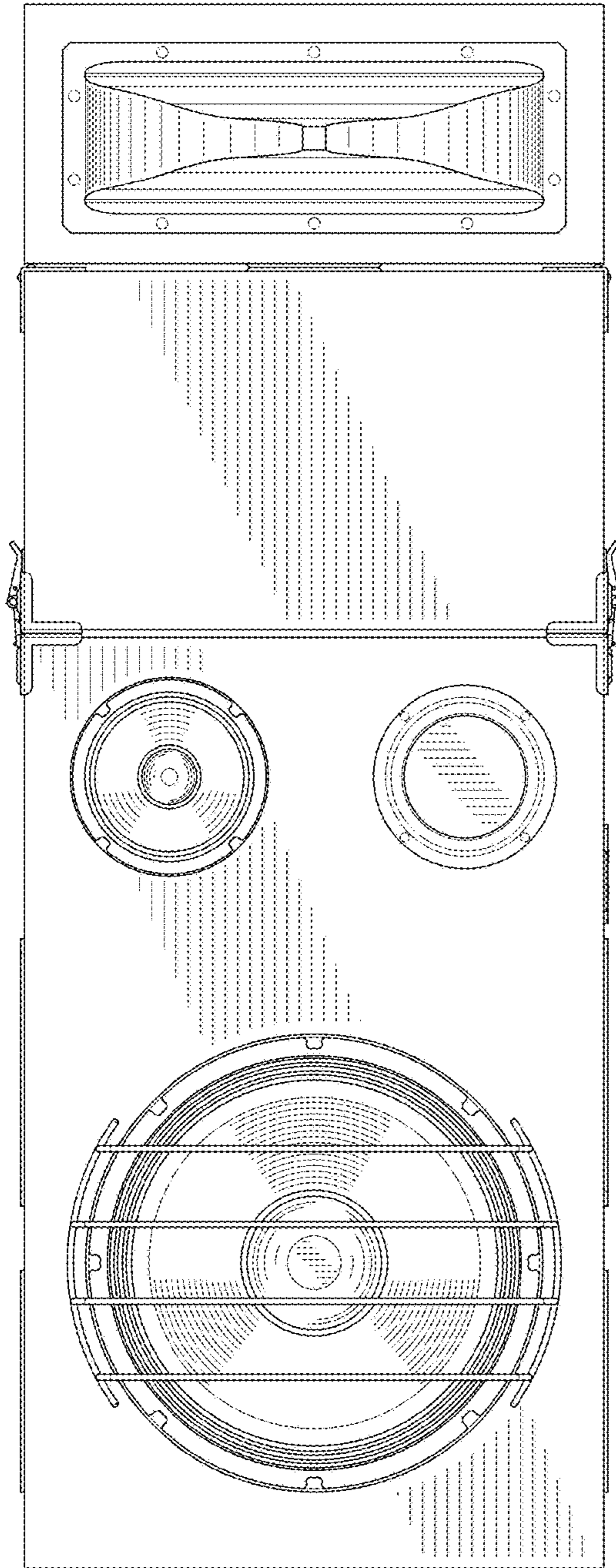


FIG. 3

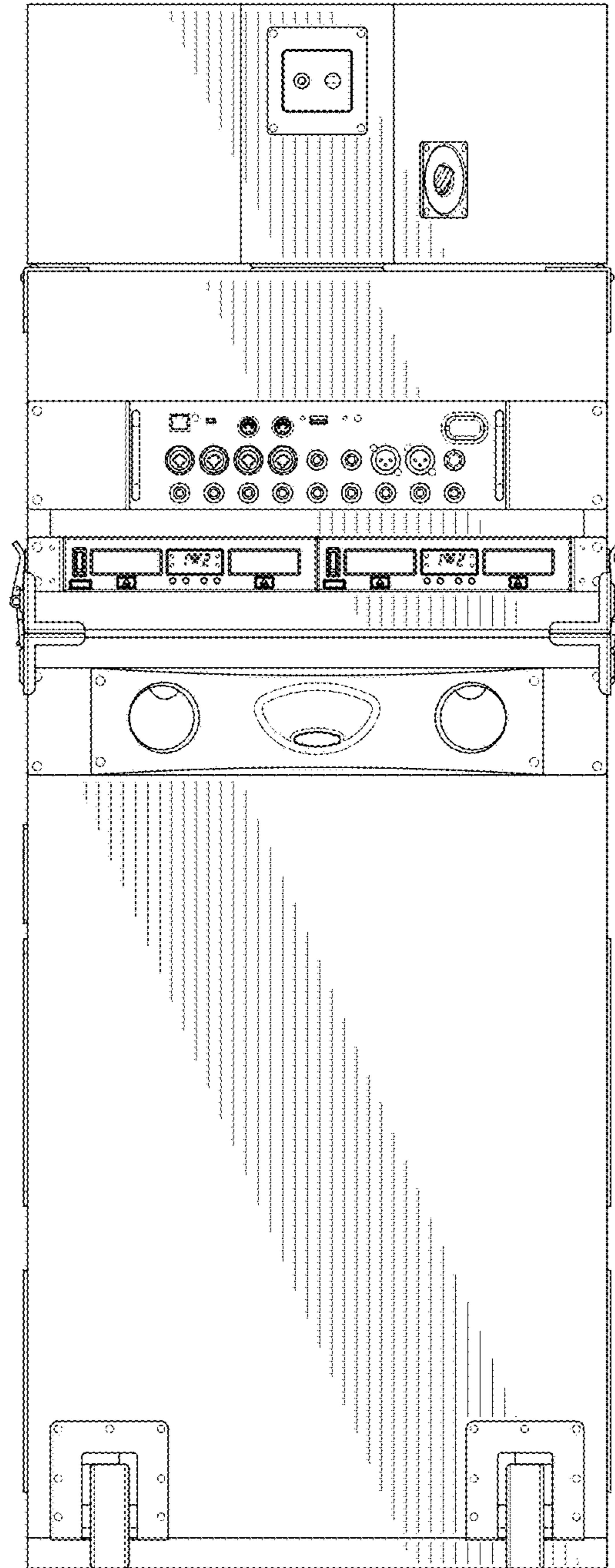


FIG. 4

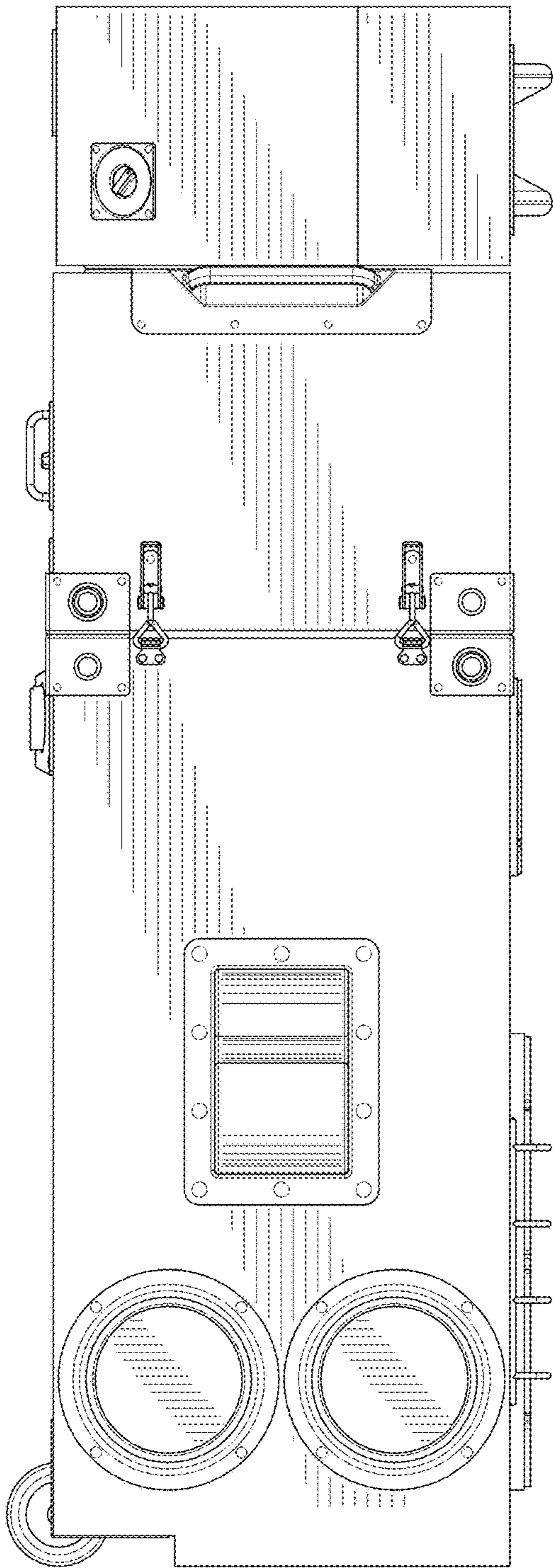


FIG. 5

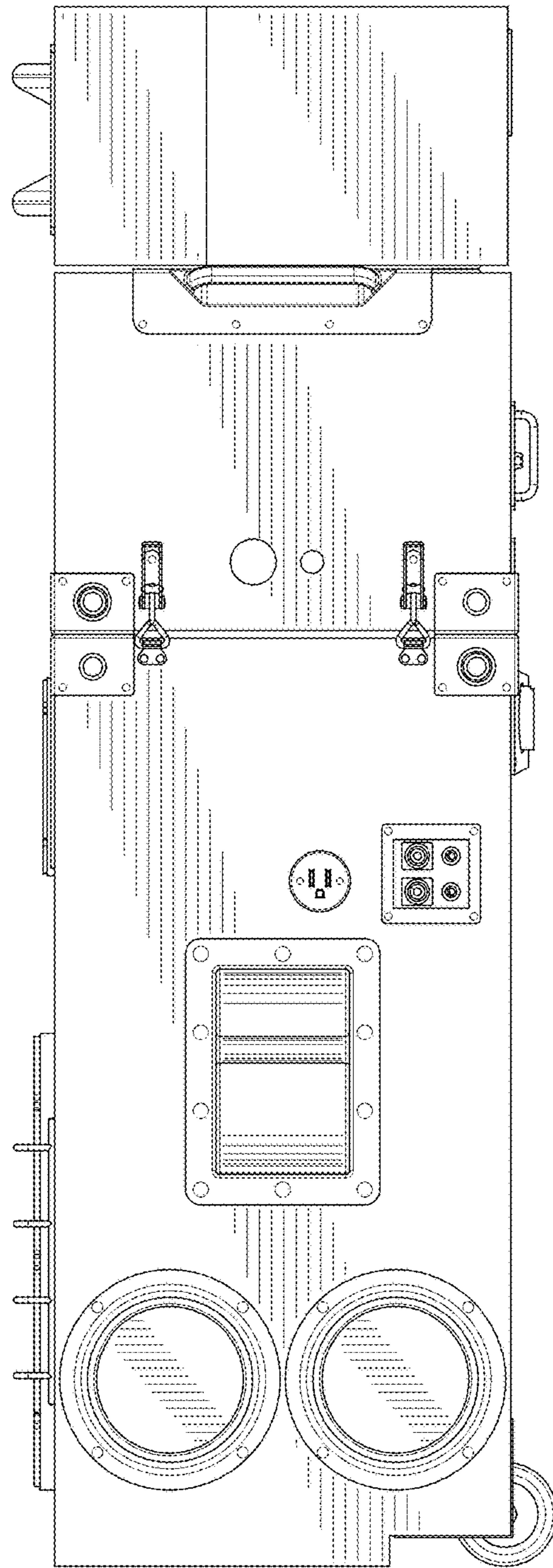


FIG. 6

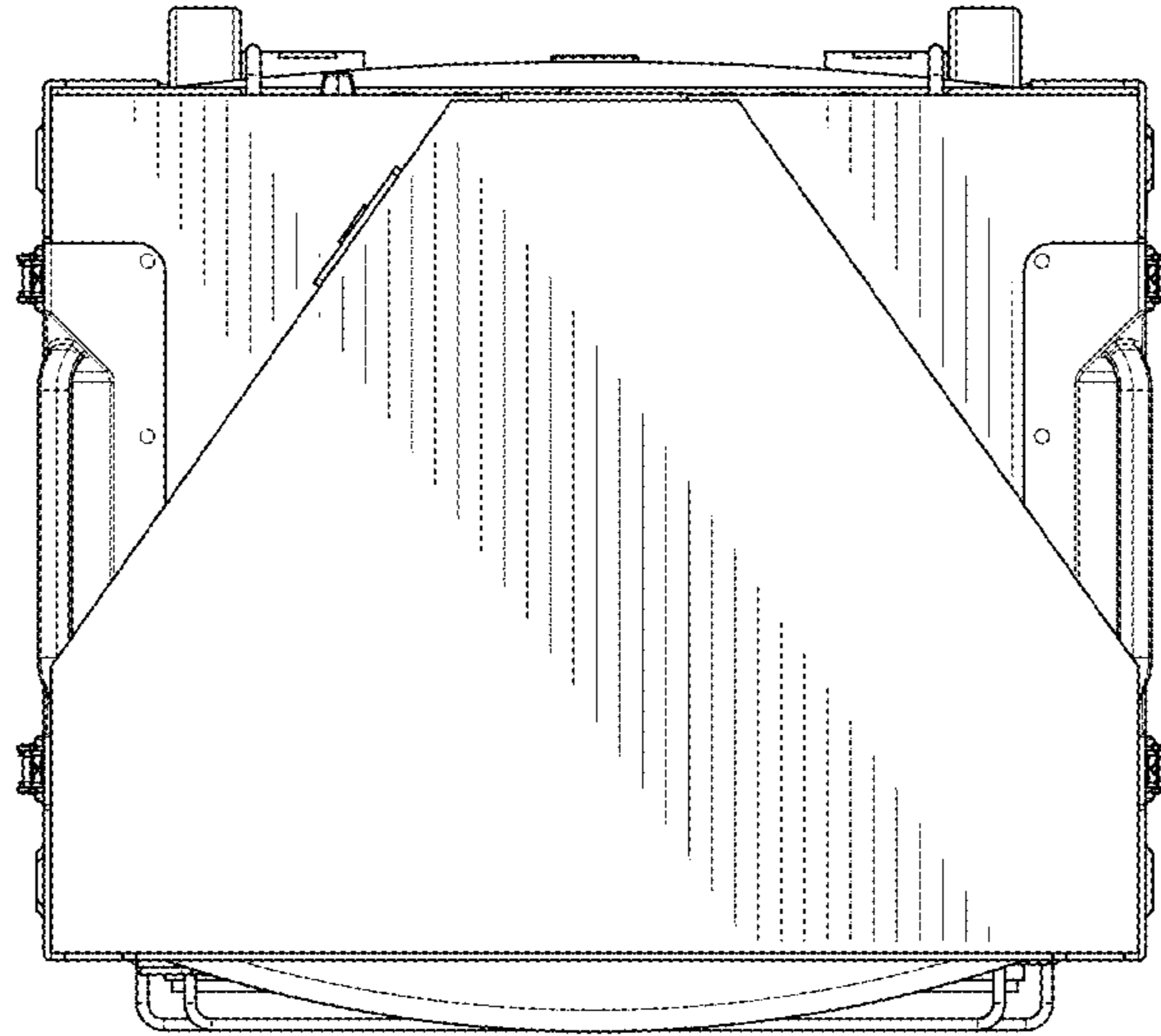


FIG. 7

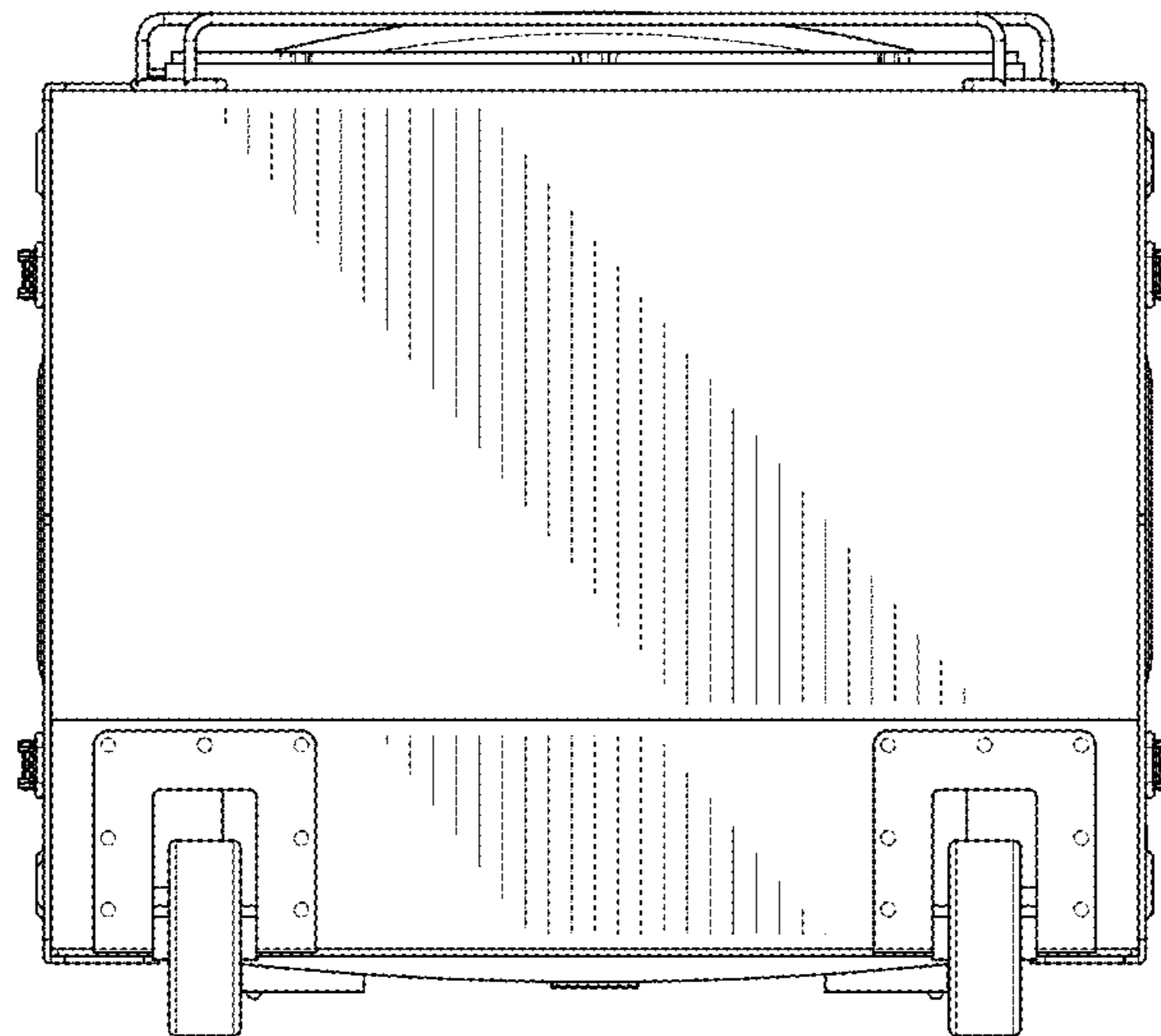


FIG. 8

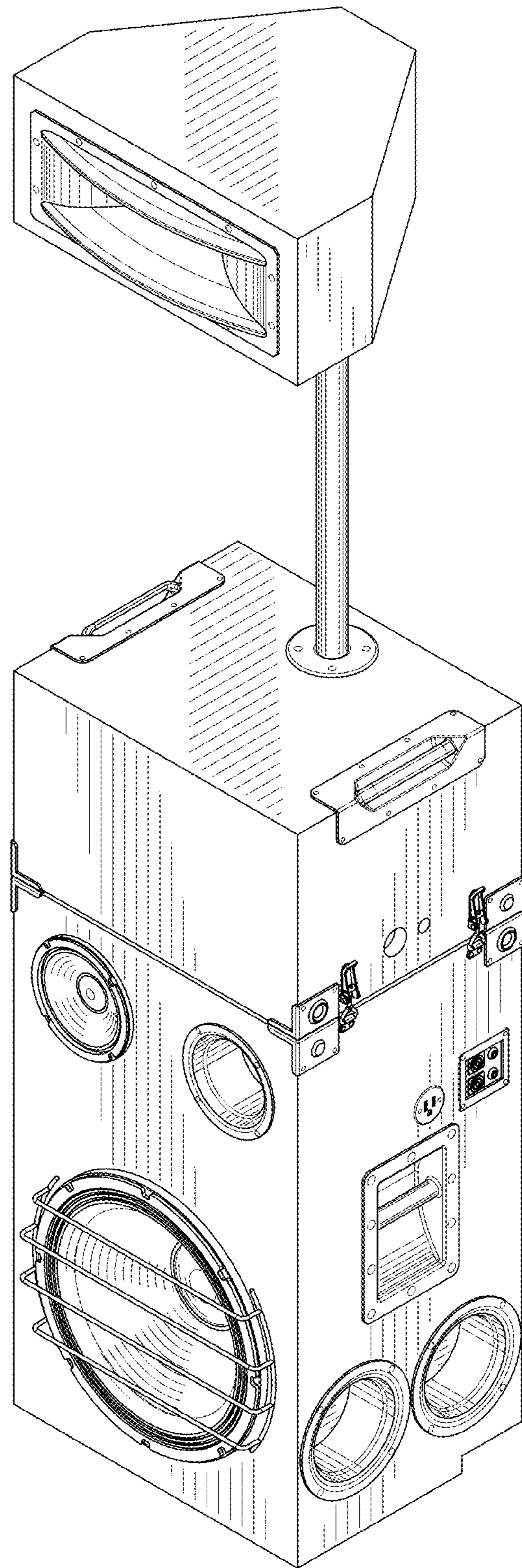


FIG. 9

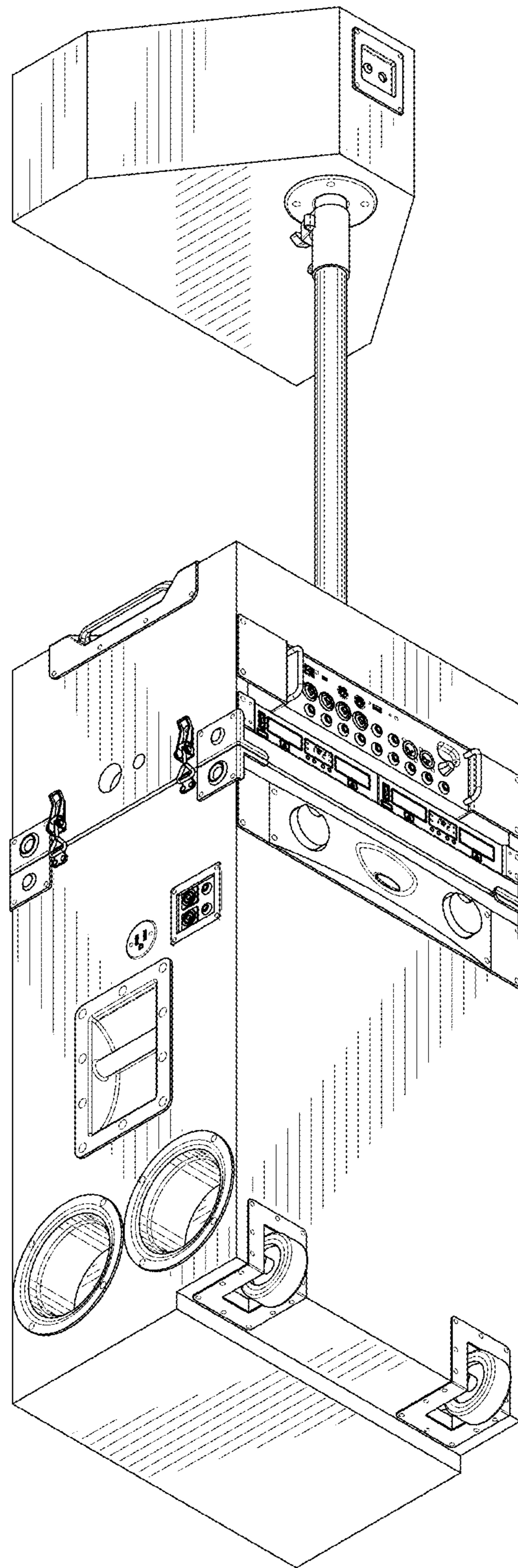


FIG. 10

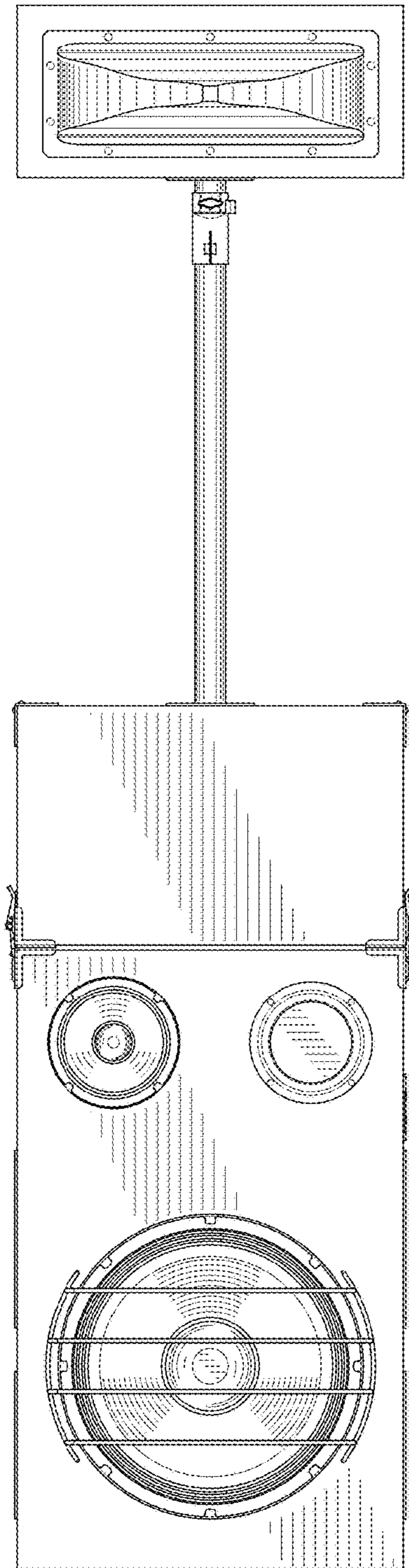


FIG. 11

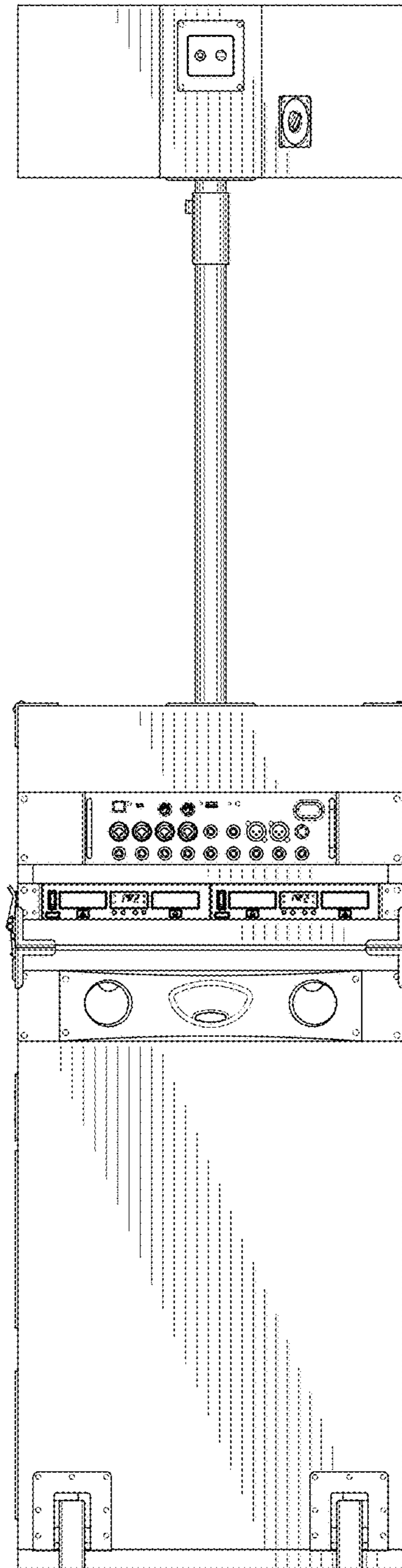


FIG. 12

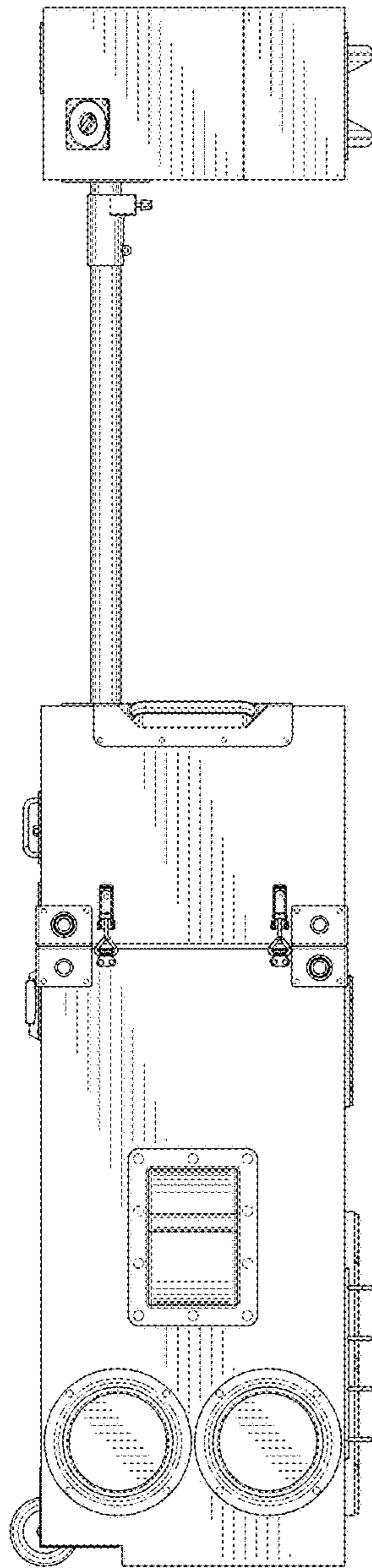


FIG. 13

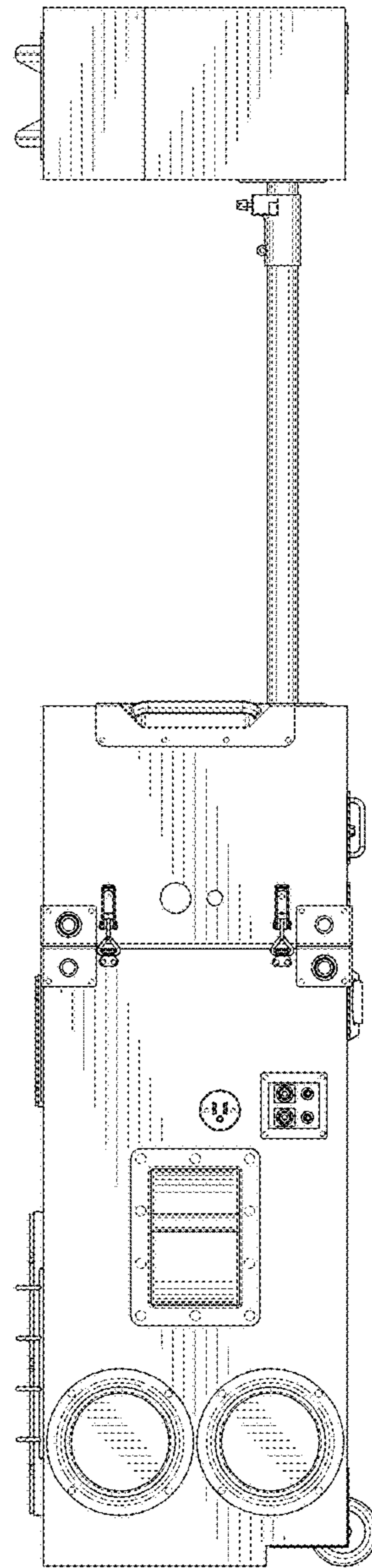


FIG. 14

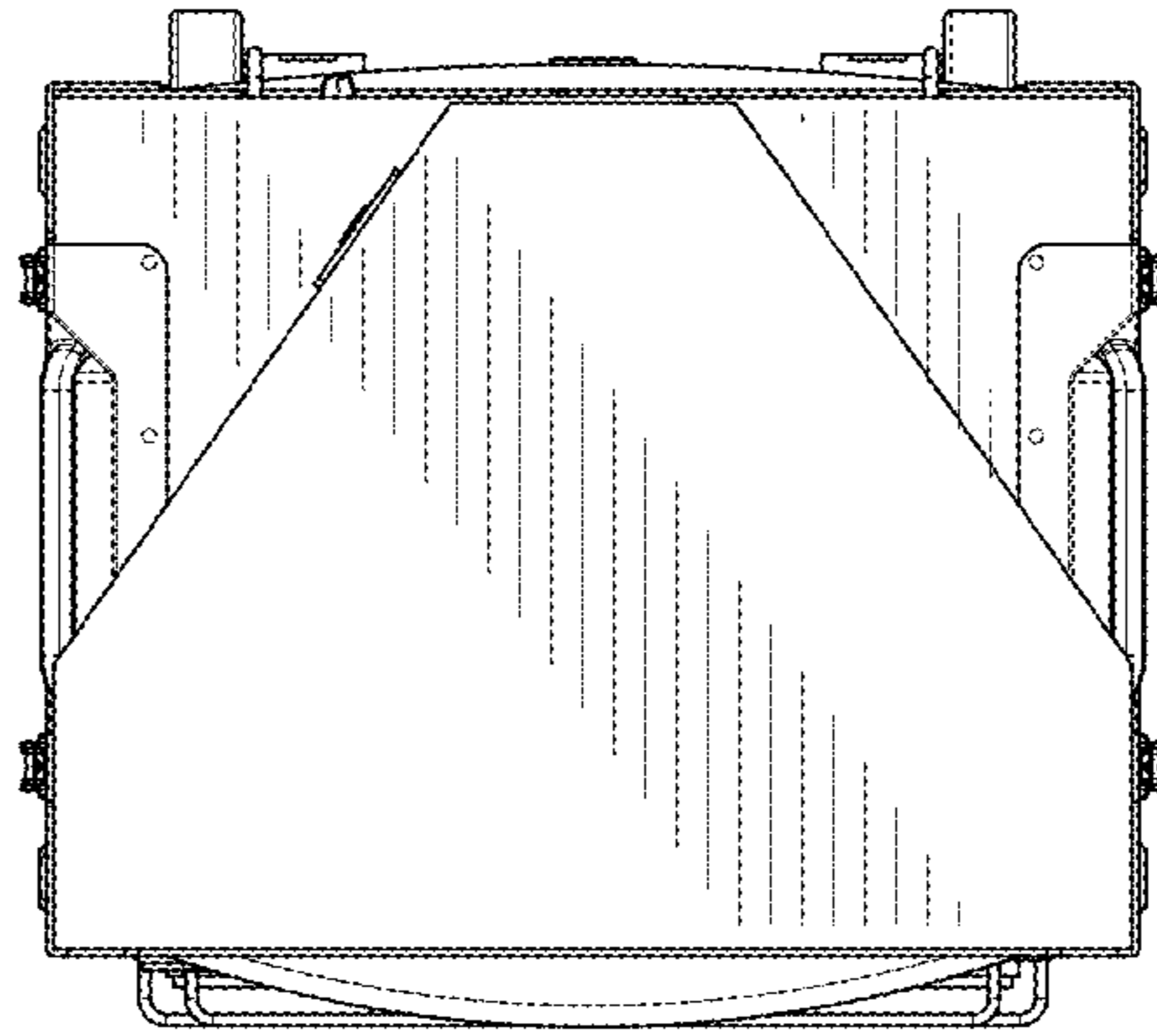


FIG. 15

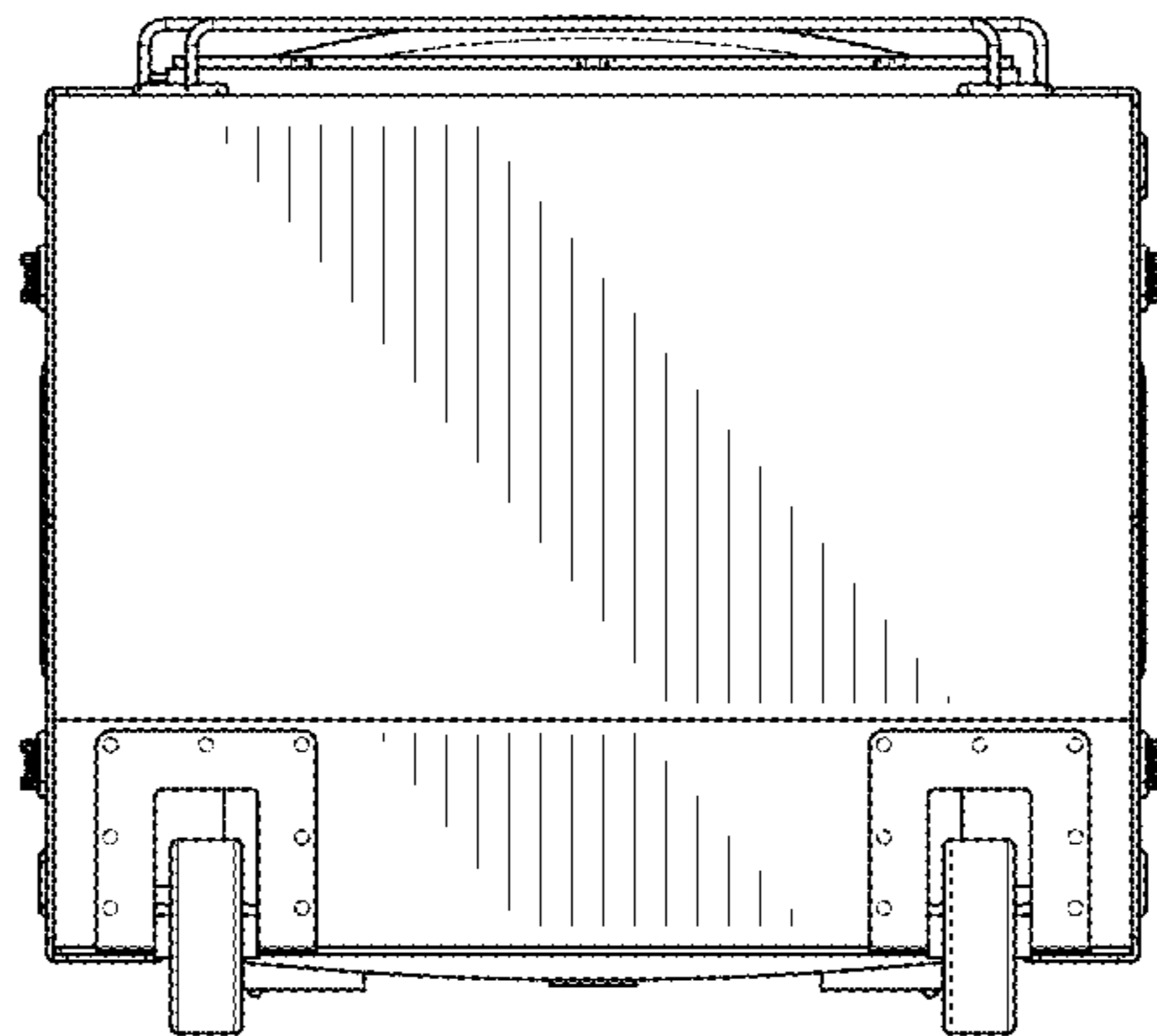


FIG. 16