



US00D826898S

(12) **United States Design Patent** (10) **Patent No.:** **US D826,898 S**
Kim et al. (45) **Date of Patent:** **** Aug. 28, 2018**

(54) **HEADSET WITH SPEAKER COMMUNICATION DEVICE**

(71) Applicant: **LG ELECTRONICS INC.**, Seoul (KR)
 (72) Inventors: **Dongsoo Kim**, Seoul (KR); **Chanwoo Park**, Seoul (KR); **Yezo Yun**, Seoul (KR)
 (73) Assignee: **LG ELECTRONICS INC.**, Seoul (KR)
 (**) Term: **15 Years**

(21) Appl. No.: **35/503,495**

(22) Filed: **Feb. 10, 2017**

(80) **Hague Agreement Data**

Int. Filing Date: **Feb. 10, 2017**
 Int. Reg. No.: **DM/095249**
 Int. Reg. Date: **Feb. 10, 2017**
 Int. Reg. Pub. Date: **Aug. 11, 2017**

(30) **Foreign Application Priority Data**

Aug. 19, 2016 (KR) 30-2016-0040679

(51) **LOC (11) Cl.** **14-01**

(52) **U.S. Cl.**
 USPC **D14/205**

(58) **Field of Classification Search**
 USPC D14/205–206; D29/112
 CPC H04R 1/1066; H04R 1/1016; H04R 25/00;
 H04R 1/10; H04R 5/0335; H04R 5/033
 See application file for complete search history.

(56) **References Cited**

U.S. PATENT DOCUMENTS

D766,869 S *	9/2016	Lee	D14/205
D768,600 S *	10/2016	Chen	D14/205
D772,195 S *	11/2016	Lee	D14/205
D772,196 S *	11/2016	Choi	D14/205
D772,843 S *	11/2016	Lee	D14/205
D772,845 S *	11/2016	Lim	D14/205
D795,836 S *	8/2017	Liden	D14/205
D797,701 S *	9/2017	Miller	D14/205
D800,089 S *	10/2017	Park	D14/205
D803,186 S *	11/2017	Park	D14/205
D811,366 S *	2/2018	Mackiewicz	D14/205
D815,058 S *	4/2018	Liden	D14/205
D815,059 S *	4/2018	Liden	D14/205

* cited by examiner

Primary Examiner — Michael A. Pratt

(74) *Attorney, Agent, or Firm* — Birch, Stewart, Kolasch & Birch, LLP

(57) **CLAIM**

The ornamental design for a headset with speaker communication device, as shown and described.

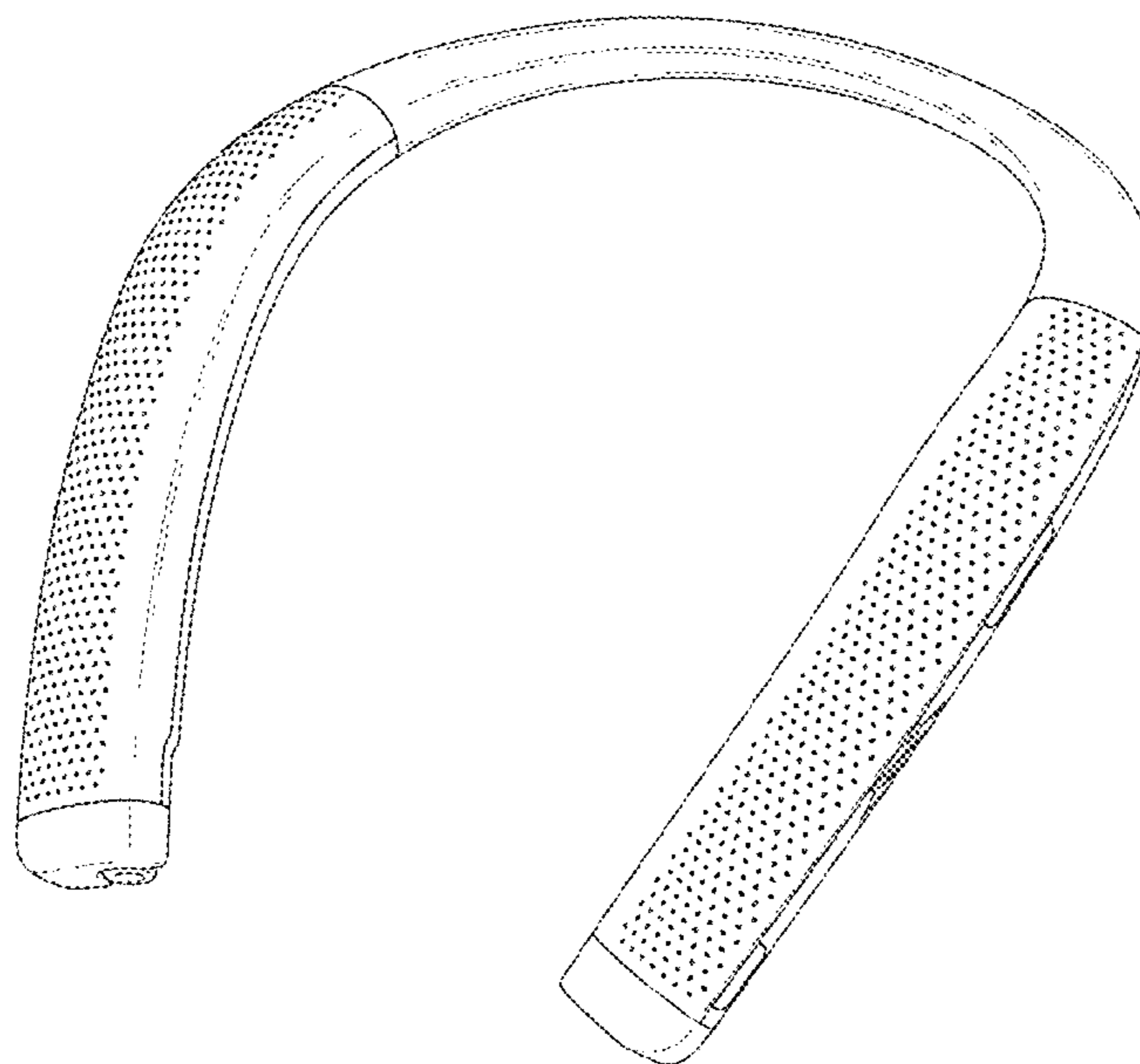
DESCRIPTION

1. Headset with speaker communication device

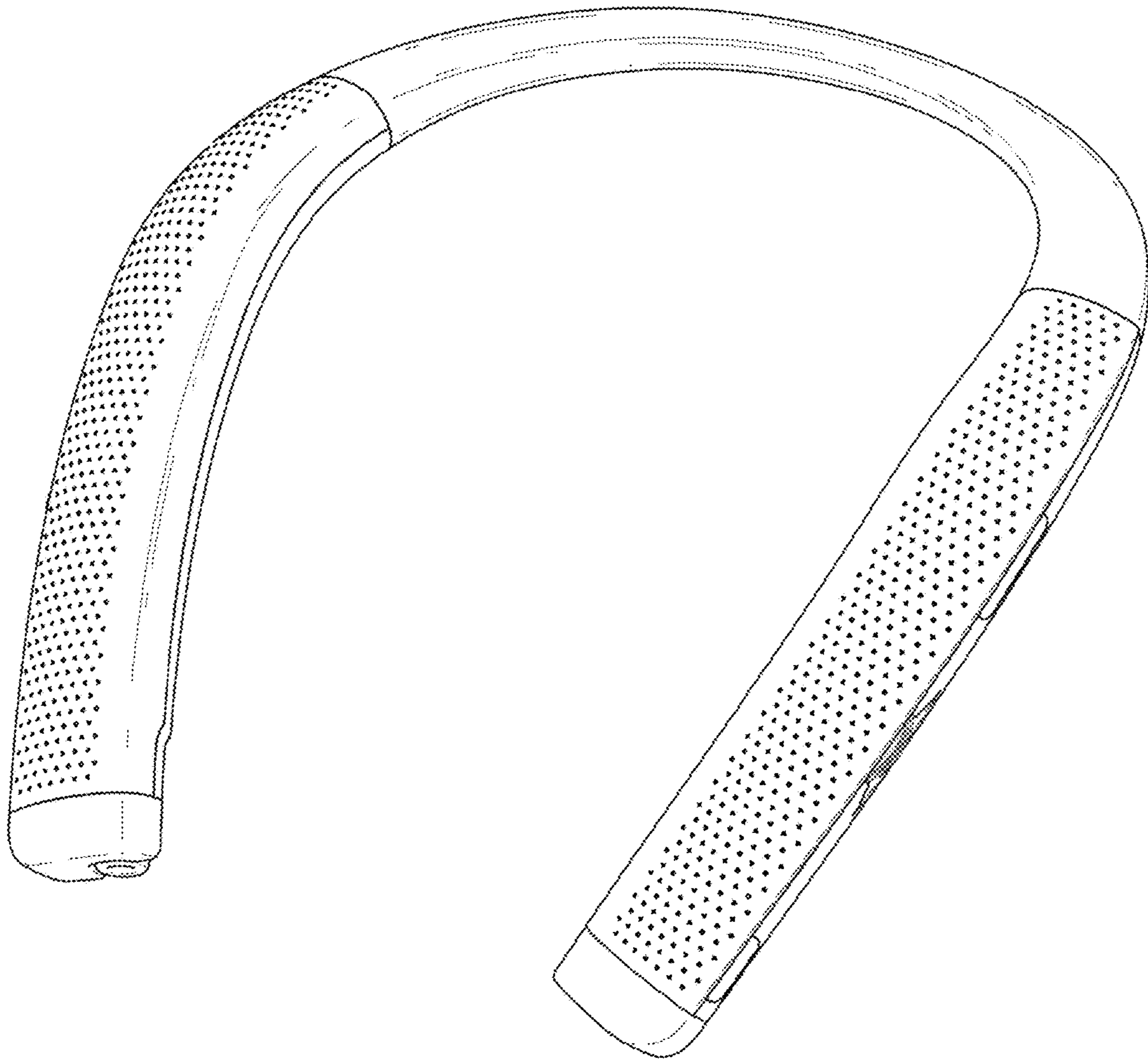
- 1.1 : Perspective
- 1.2 : Front
- 1.3 : Back
- 1.4 : Left
- 1.5 : Right
- 1.6 : Top
- 1.7 : Bottom

The gist of the present ornamental design is a combination of shape and pattern of a headset with speaker communication device, as shown and described.

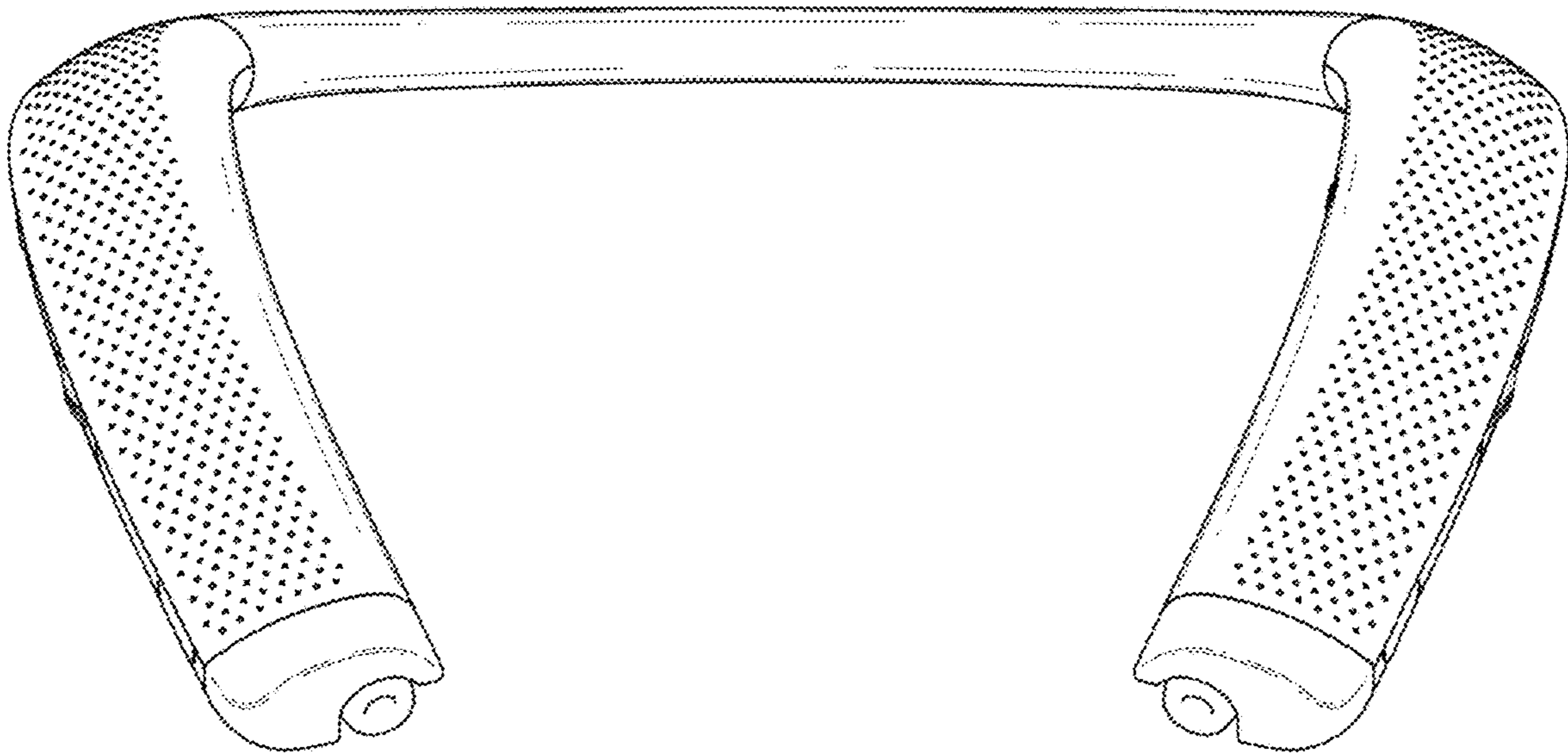
1 Claim, 7 Drawing Sheets



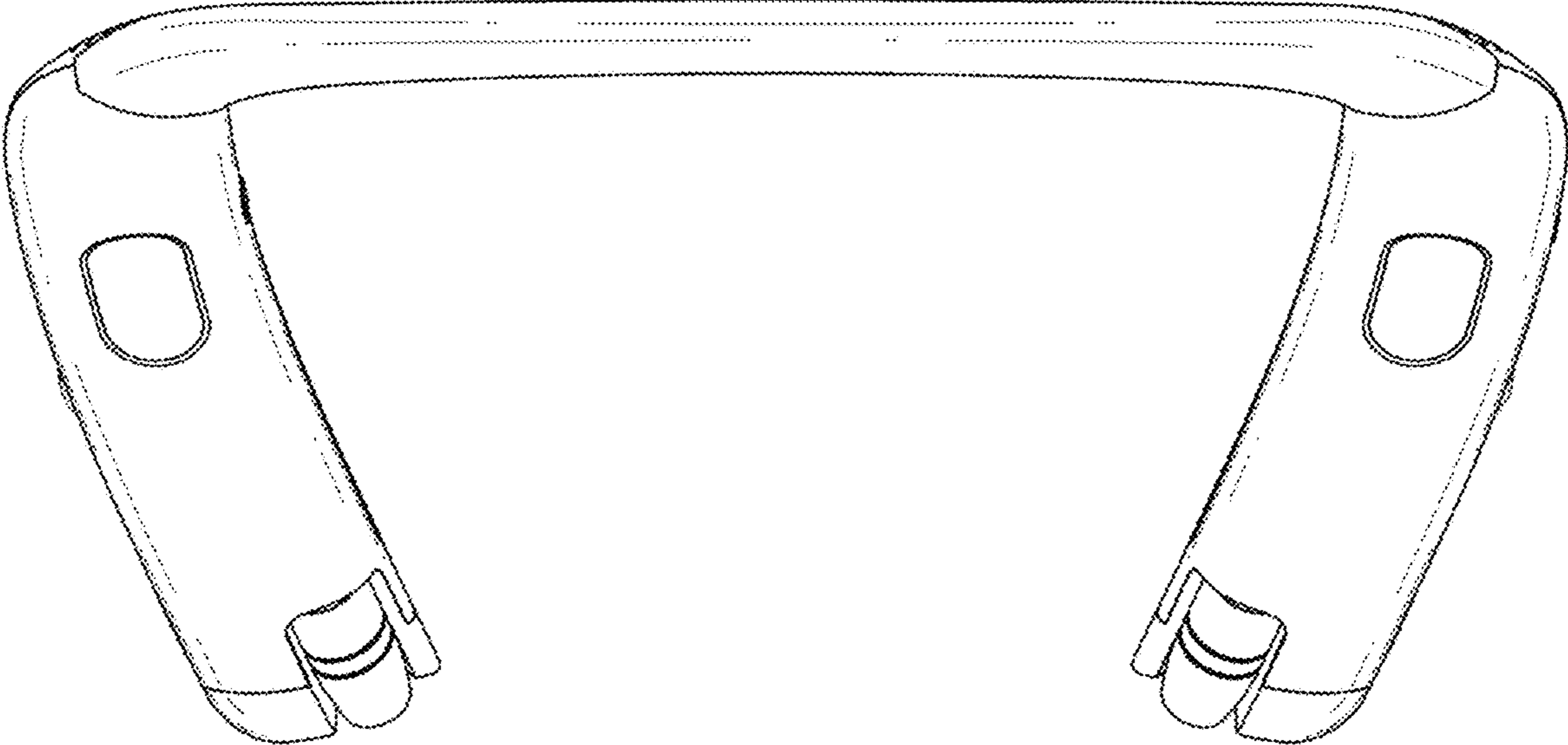
1.1



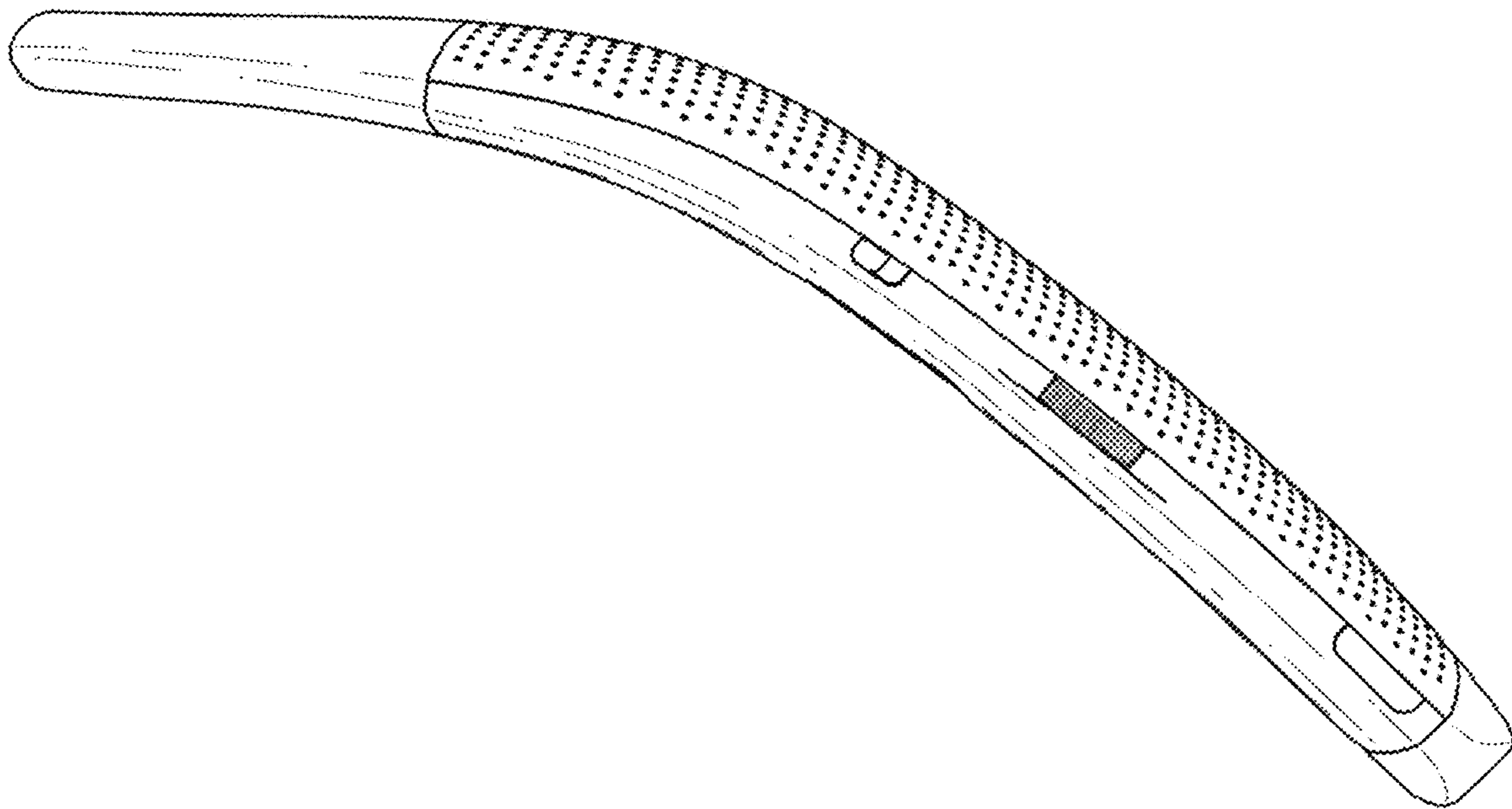
1.2



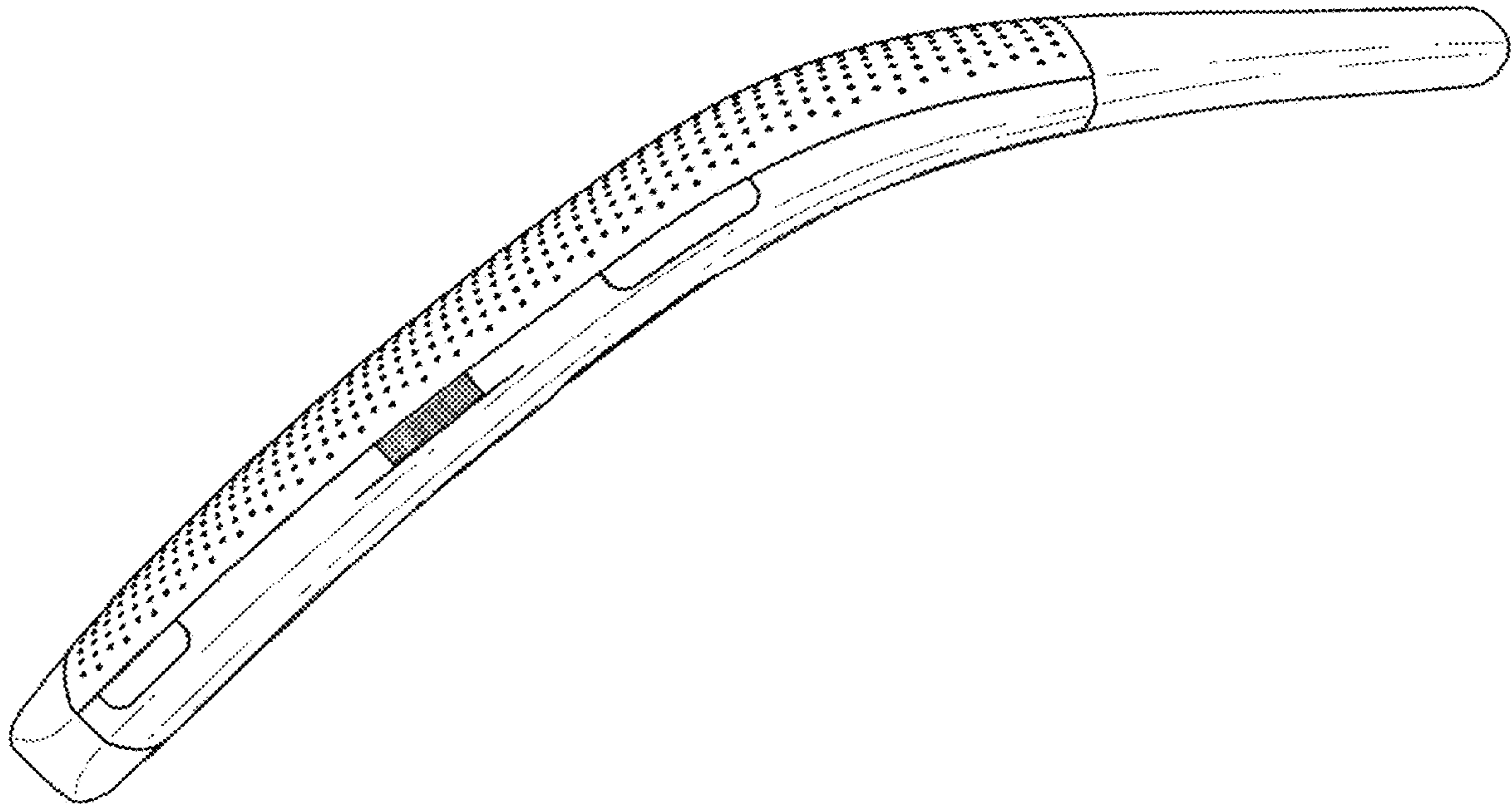
1.3



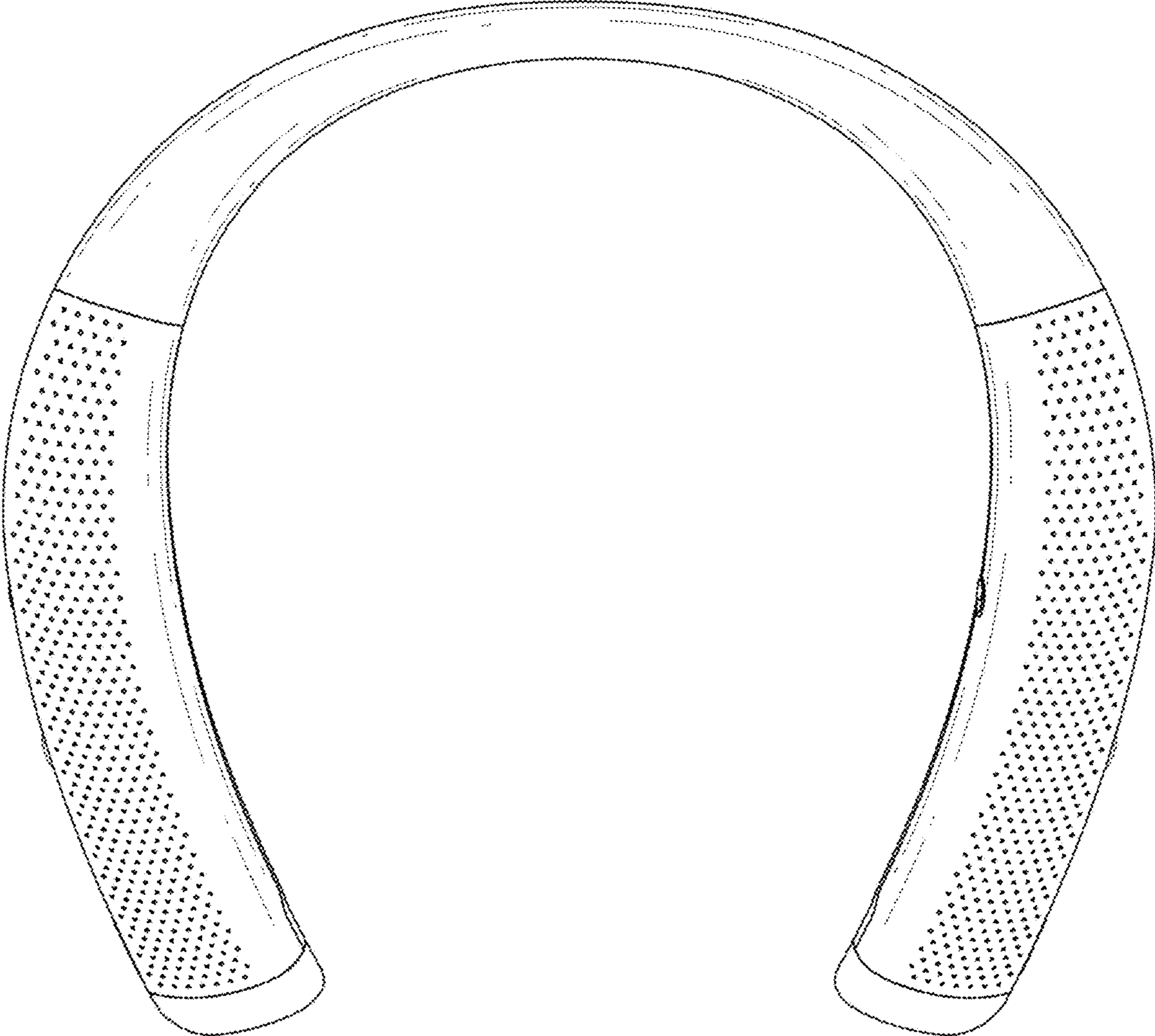
1.4



1.5



1.6



1.7

