



US00D826897S

(12) **United States Design Patent**
Wang

(10) **Patent No.:** **US D826,897 S**

(45) **Date of Patent:** **** Aug. 28, 2018**

(54) **HEADPHONE**

(71) Applicant: **Tianbo Wang**, Dongguan (CN)

(72) Inventor: **Tianbo Wang**, Dongguan (CN)

(**) Term: **15 Years**

(21) Appl. No.: **29/601,902**

(22) Filed: **Apr. 27, 2017**

(51) **LOC (11) Cl.** **14-01**

(52) **U.S. Cl.**

USPC **D14/205**; D14/206

(58) **Field of Classification Search**

USPC D14/205, 206, 188, 192; D29/112;
2/209; D28/41; 132/273; 181/129, 130,
181/135; 379/430, 431; 381/380, 381,
381/74, 370, 374; 455/90.3, 575.1, 569.1
CPC H04R 1/1066; H04R 1/1016; H04R 25/00;
H04R 1/10; H04R 5/033; H04R 5/0335
See application file for complete search history.

(56) **References Cited**

U.S. PATENT DOCUMENTS

- 1,560,718 A * 11/1925 Nowosielski H04R 1/1066
381/377
- 1,633,586 A * 6/1927 Hunter A61F 13/122
128/DIG. 23
- 2,993,962 A * 7/1961 Hothem H04M 1/05
379/430
- 3,562,816 A * 2/1971 Hutchinson A61F 11/14
2/209
- 3,891,810 A * 6/1975 Hayashi H04R 1/1008
381/354
- D246,259 S * 11/1977 Nishimura D14/205
- 4,133,053 A * 1/1979 Lundin H04R 1/1058
2/209
- D254,183 S * 2/1980 Doodson D14/205
- 4,459,707 A * 7/1984 Stallings A61F 11/14
181/129

- D291,198 S * 8/1987 Bellini D14/205
- 4,689,822 A * 8/1987 Houng H04R 1/1066
381/371
- D313,092 S * 12/1990 Nilsson D14/205
- 5,113,428 A * 5/1992 Fitzgerald H04B 1/385
379/430
- D342,946 S * 1/1994 Hyogo D14/192
- D403,062 S * 12/1998 Dix D24/106
- 6,016,574 A * 1/2000 Chen A45D 8/36
128/866
- D463,857 S * 10/2002 Dix D24/106
- 6,611,963 B2 * 9/2003 Woo A61F 11/14
2/209
- 6,649,806 B1 * 11/2003 Forsgren-Brusk A61L 15/36
604/360
- 6,678,897 B2 * 1/2004 Lindgren A61F 11/14
181/129
- D518,474 S * 4/2006 Suzuki D14/205
- D544,464 S * 6/2007 Lee D14/205
- D609,694 S * 2/2010 Komiyama D14/205

(Continued)

Primary Examiner — Paula Allen Greene

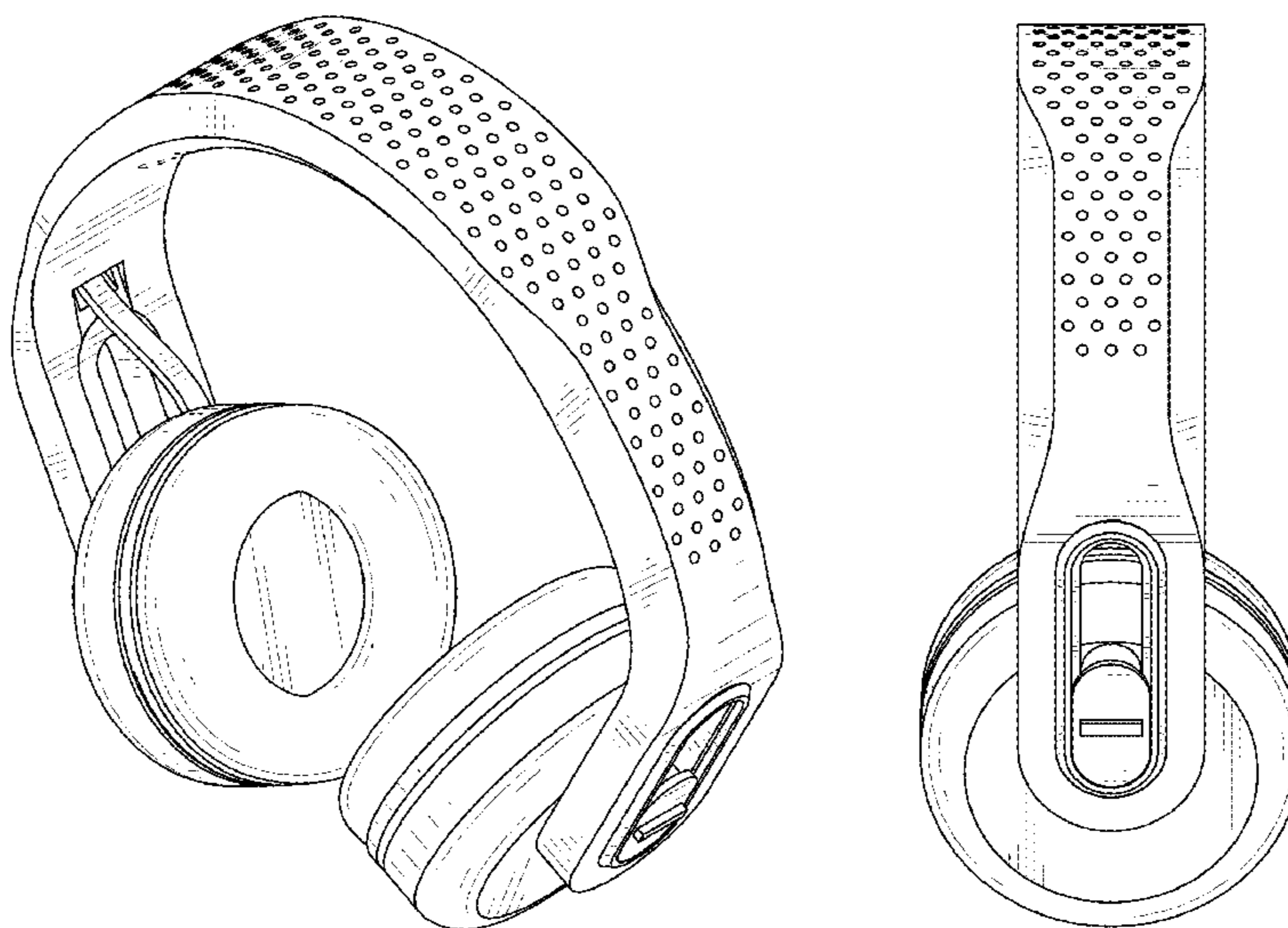
(57) **CLAIM**

The ornamental design for a headphone, as shown and described.

DESCRIPTION

FIG. 1 is a perspective view of a headphone showing my new design;
FIG. 2 is similar to FIG. 1, viewed from another aspect;
FIG. 3 is a front elevational view thereof;
FIG. 4 is a rear elevational view thereof;
FIG. 5 is a left side elevational view thereof;
FIG. 6 is a right side elevational view thereof;
FIG. 7 is a top plan view thereof; and,
FIG. 8 is a bottom plan view thereof.
The broken lines in the drawings are for the purpose of illustrating portions of the headphone that form no part of the claimed design.

1 Claim, 8 Drawing Sheets



(56)

References Cited

U.S. PATENT DOCUMENTS

D657,345	S *	4/2012	Brunner	H04R 5/033 D14/205
D663,717	S *	7/2012	Hutchieson	D14/206
D664,114	S *	7/2012	Tsuchiya	D14/205
D683,329	S *	5/2013	Hagelin	D14/205
D695,263	S *	12/2013	Mogili	D14/205
D696,226	S *	12/2013	Brunner	H04R 5/033 D14/205
D715,252	S *	10/2014	Sparks	D14/205
D732,001	S *	6/2015	Licht	D14/205
D740,254	S *	10/2015	Huang	D14/205
D780,156	S *	2/2017	Petersen	D14/205
D784,957	S *	4/2017	Hsieh	D14/205
9,788,100	B2 *	10/2017	Essabar	H04R 1/1058
D805,055	S *	12/2017	Kelly	D14/205
D807,323	S *	1/2018	Wang	D14/205
D810,718	S *	2/2018	Galler	D14/205
2005/0220318	A1 *	10/2005	Han	H04R 1/1008 381/371
2014/0177884	A1 *	6/2014	Minarik	H04R 1/1066 381/309
2015/0139472	A1 *	5/2015	Solomon	H04R 1/1091 381/378
2015/0195640	A1 *	7/2015	Essabar	H04R 1/1033 381/378

* cited by examiner

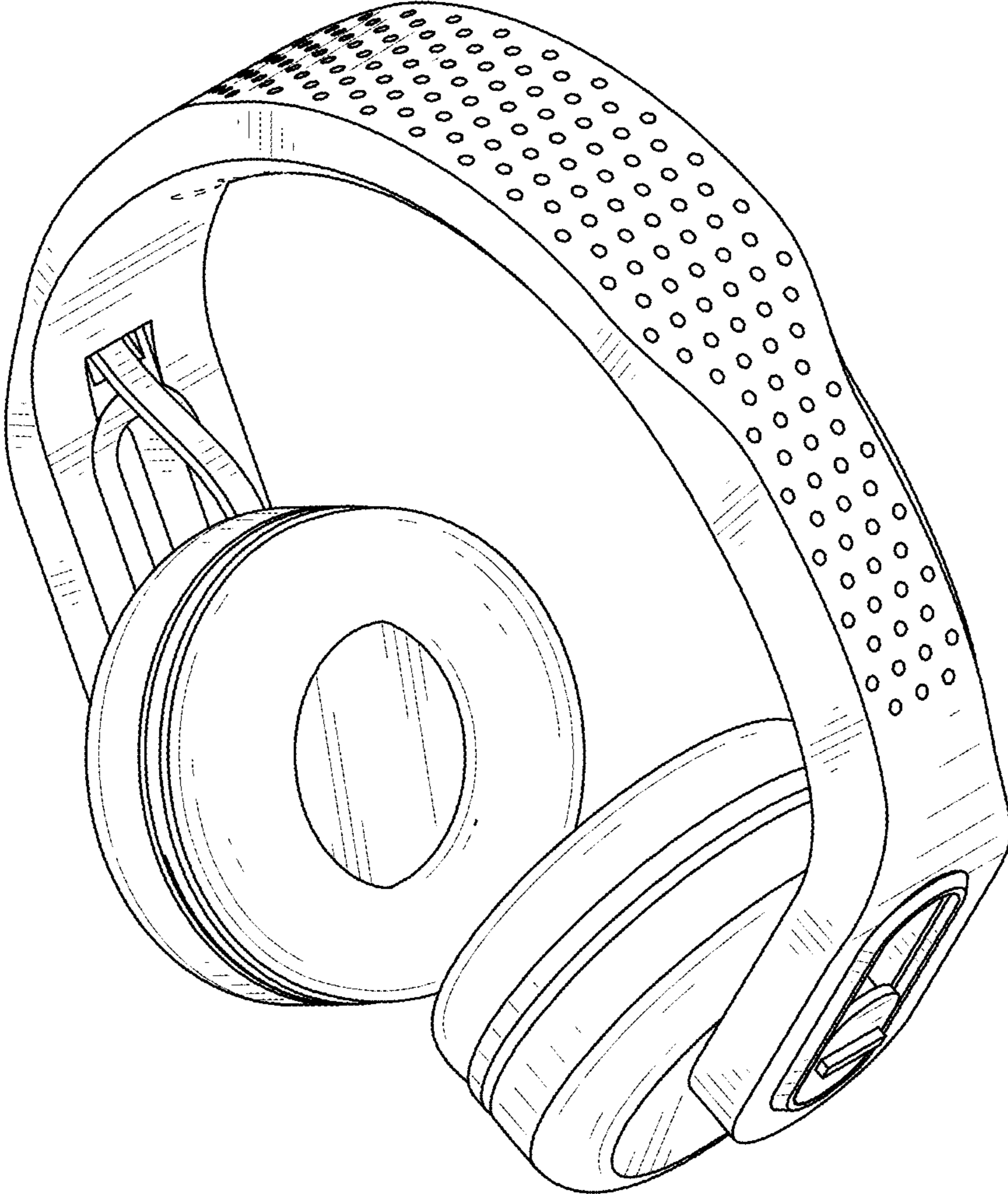


FIG. 1

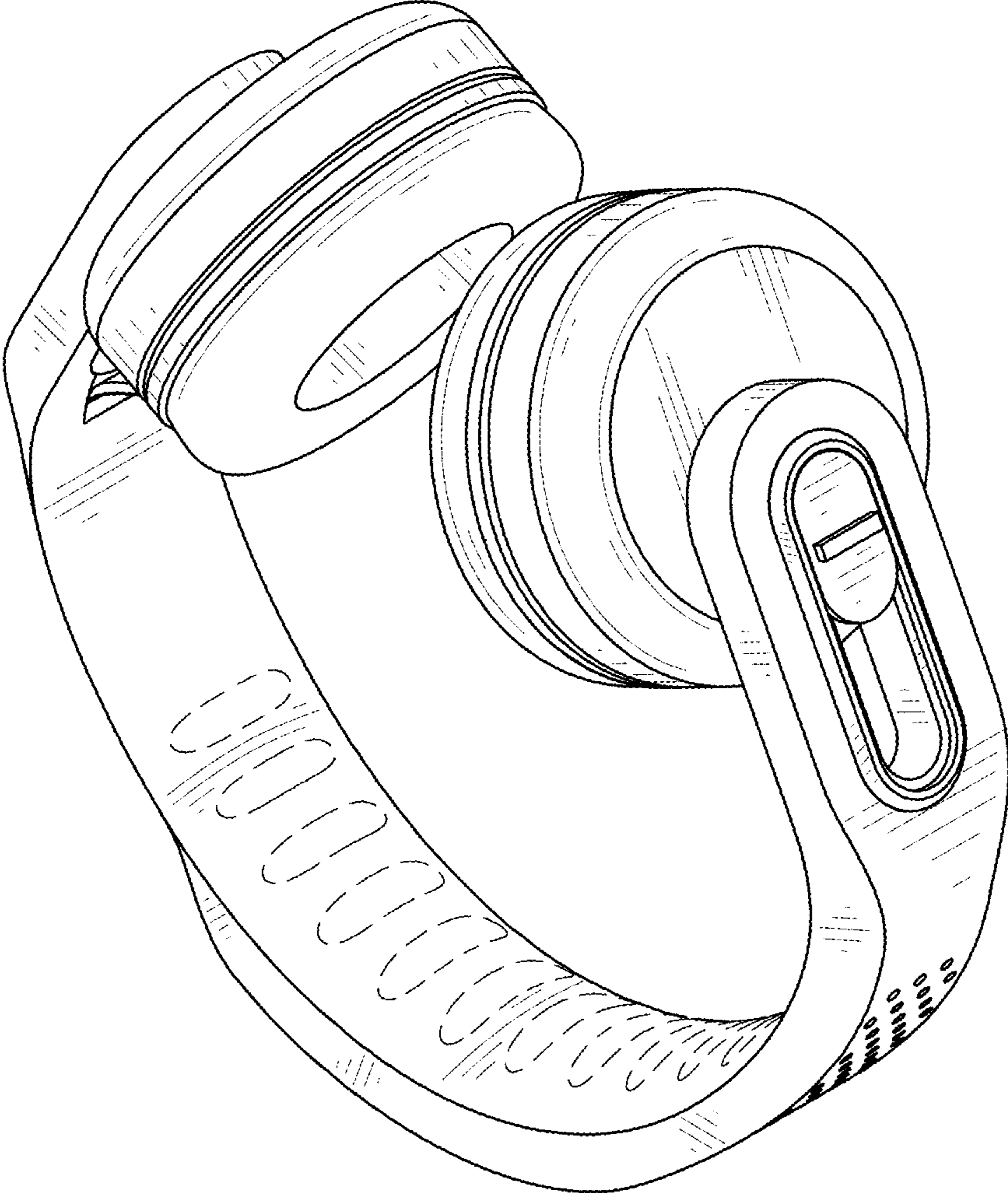


FIG. 2

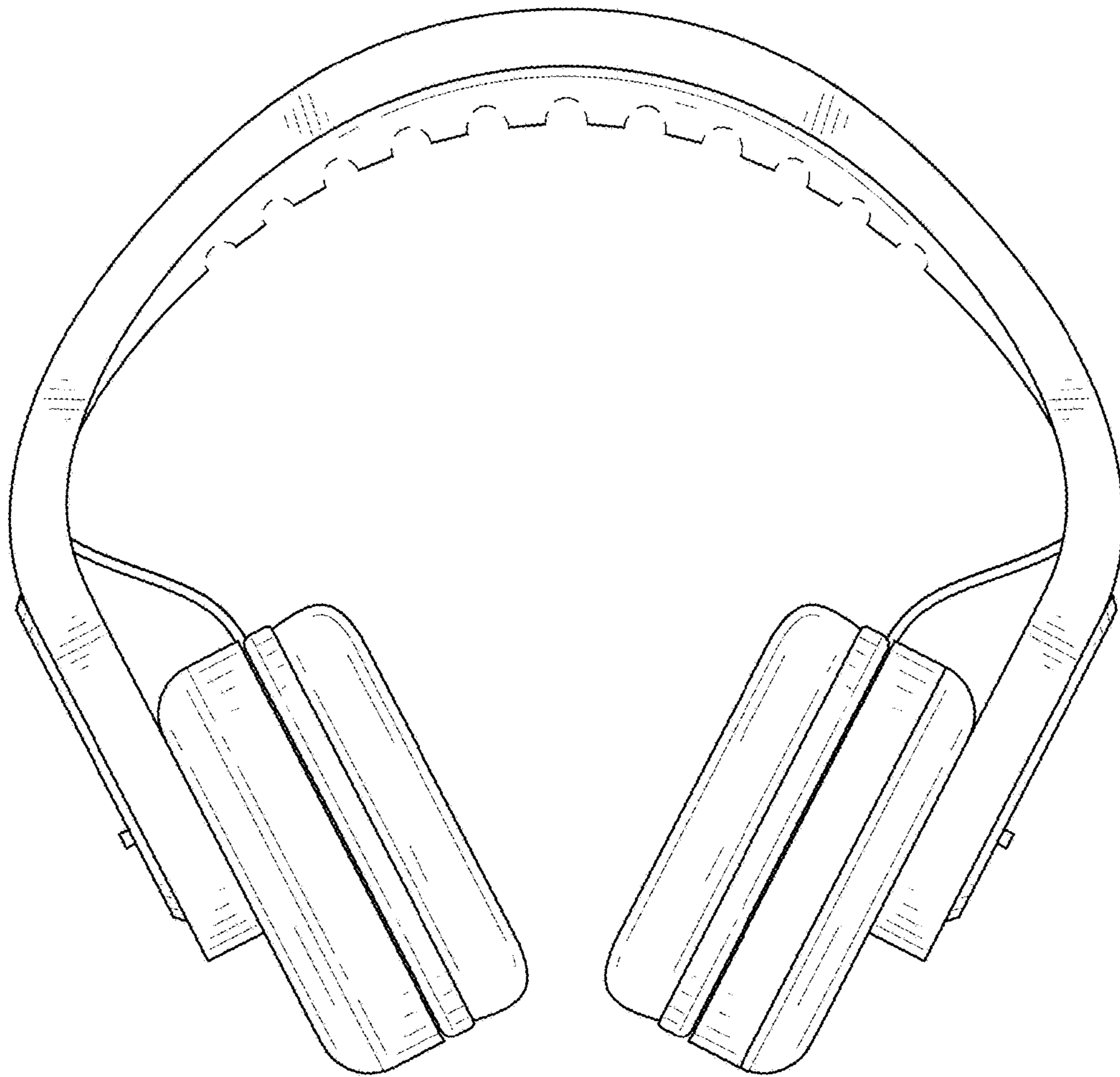


FIG. 3

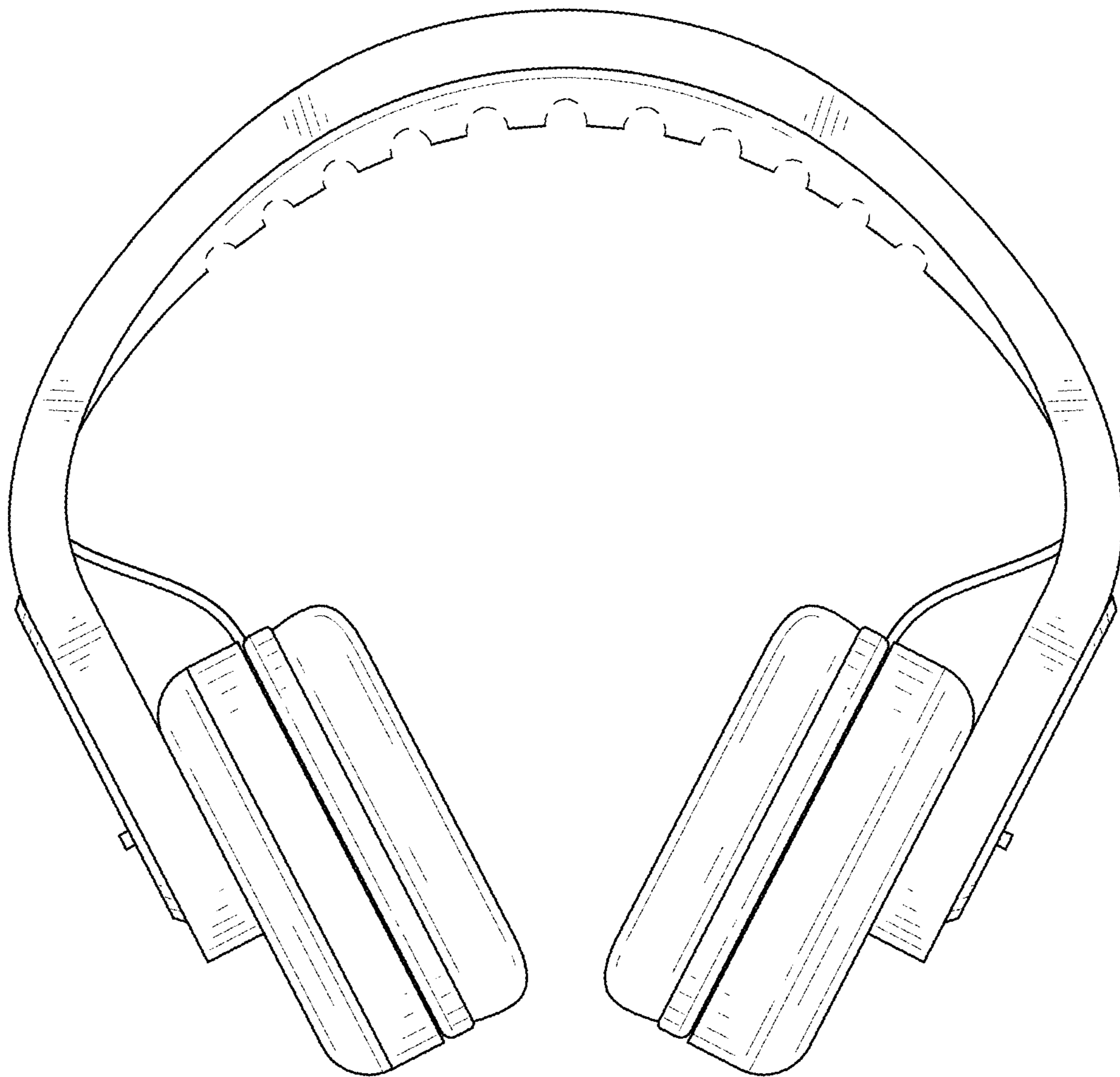


FIG. 4

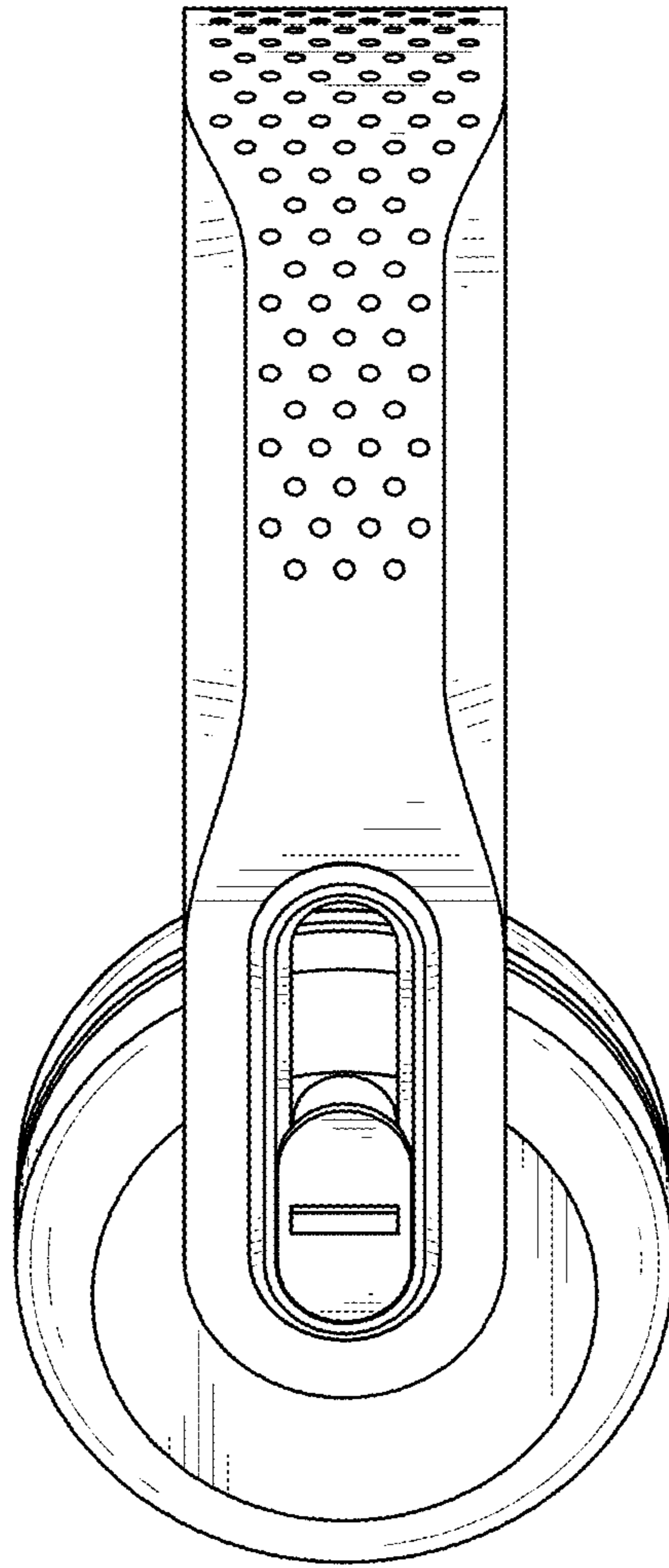


FIG. 5

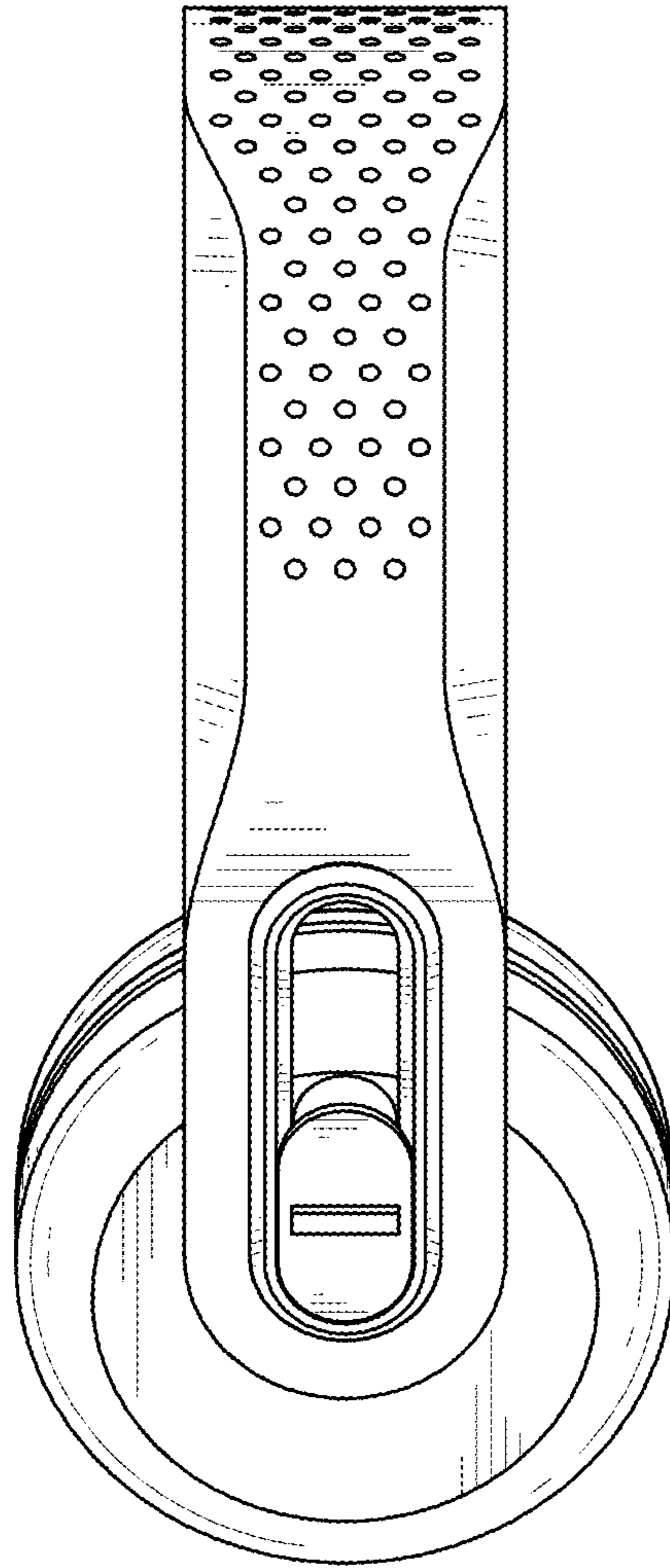


FIG. 6

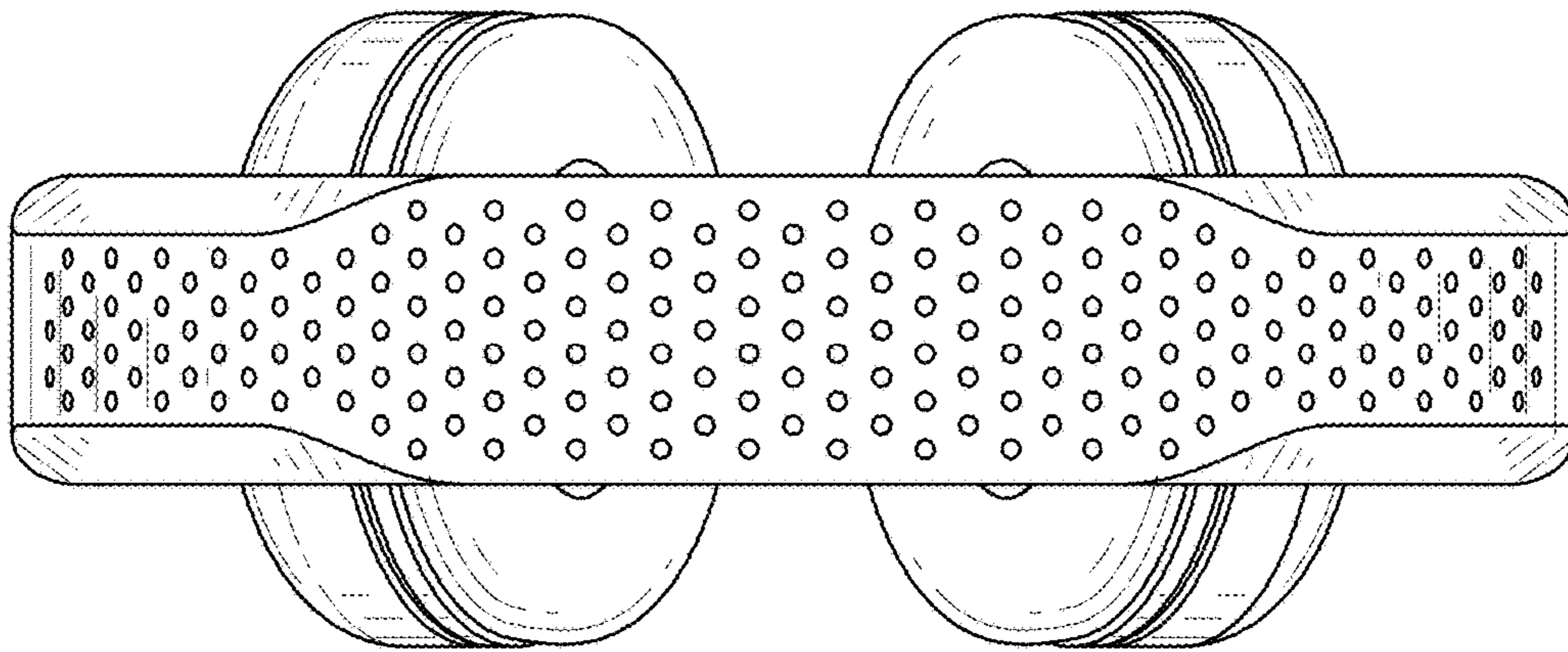


FIG. 7

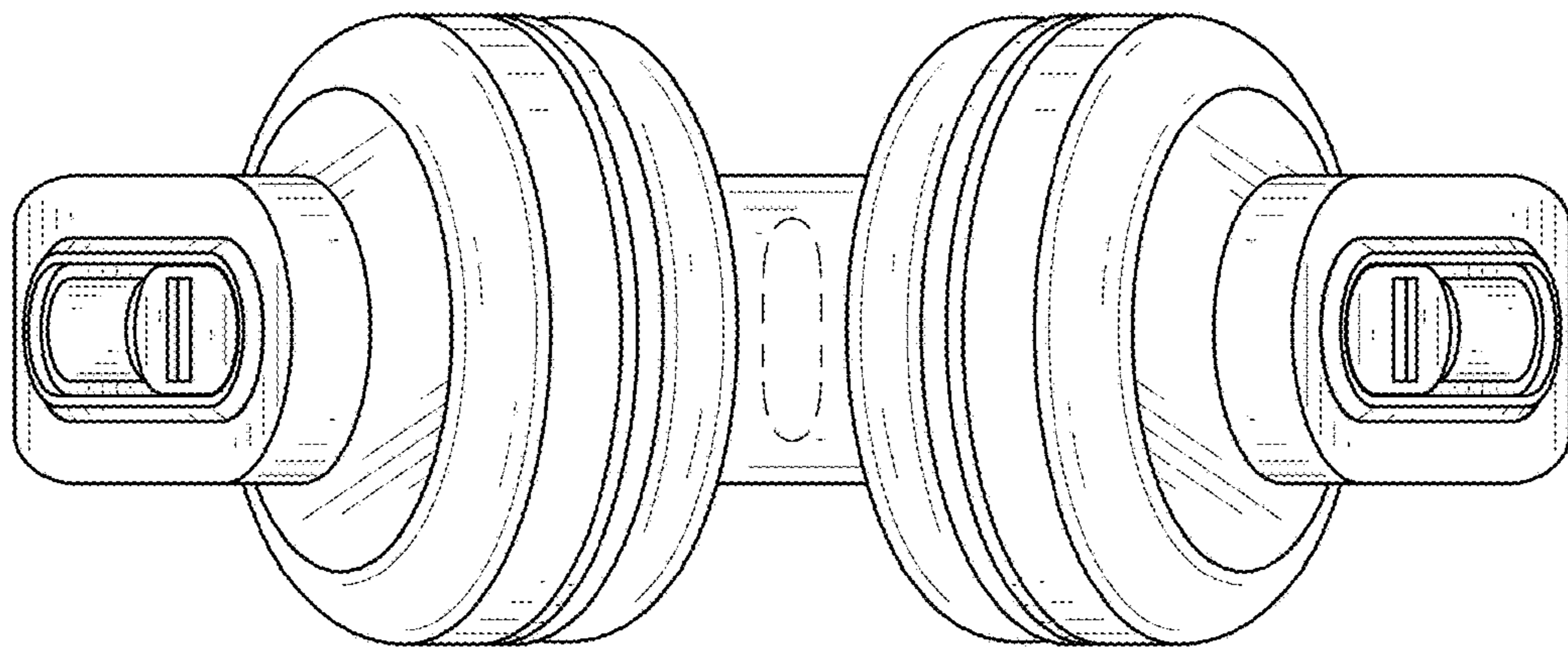


FIG. 8