

US00D826895S

(12) **United States Design Patent**
Sharp et al.

(10) **Patent No.:** **US D826,895 S**

(45) **Date of Patent:** **** Aug. 28, 2018**

(54) **HEADPHONES**

(71) Applicant: **Logitech Europe S.A.**, Lausanne (CH)

(72) Inventors: **Doug Sharp**, Newark, CA (US);
Michael Nolan, Thomastown (IE);
Jimmy Rennick, Dublin (IE); **Cormac O’Conaire**, Dublin (IE)

(73) Assignee: **Logitech Europe S.A.**, Lausanne (CH)

(**) Term: **15 Years**

(21) Appl. No.: **29/599,439**

(22) Filed: **Apr. 3, 2017**

(51) **LOC (11) Cl.** **14-01**

(52) **U.S. Cl.**
USPC **D14/205**

(58) **Field of Classification Search**
USPC D14/205, 223; D29/112; 2/209, 423,
2/411; 181/129, 130, 135; 379/430, 431,
379/452; 381/380, 381, 186, 371;
455/90.3, 575.1, 569.1

CPC H04R 1/1066; H04R 1/1016; H04R 25/00;
H04R 5/033; H04R 5/0335; H04R
1/1083; H04R 1/1008

See application file for complete search history.

(56) **References Cited**

U.S. PATENT DOCUMENTS

1,483,315 A *	2/1924	Saal	H04R 1/1066 381/374
1,845,205 A *	2/1932	Smith	A45D 44/12 128/866
2,149,341 A *	3/1939	Harrison	H04R 1/1066 248/274.1
2,198,425 A *	4/1940	Berg	A45D 8/40 132/274

(Continued)

Primary Examiner — Paula Allen Greene

(74) *Attorney, Agent, or Firm* — Kilpatrick Townsend & Stockton LLP

(57) **CLAIM**

The ornamental design for headphones, as shown and described.

DESCRIPTION

FIG. 1 is a perspective view of headphones showing our new design;

FIG. 2 is a top plan view thereof;

FIG. 3 is a bottom plan view thereof;

FIG. 4 is a front elevational view thereof;

FIG. 5 is a rear elevational view thereof;

FIG. 6 is a left side elevational view thereof; and

FIG. 7 is a right side elevational view.

FIG. 8 is a perspective view of both of the ear cups in an uncovered configuration for headphones showing our new design;

FIG. 9 is second perspective view thereof;

FIG. 10 is a third perspective view thereof;

FIG. 11 is a top plan view thereof;

FIG. 12 is a bottom plan view thereof;

FIG. 13 is a front elevational view thereof;

FIG. 14 is a rear elevational view thereof;

FIG. 15 is a left side elevational view thereof; and

FIG. 16 is a right side elevational view.

FIG. 17 is a perspective view of both of the ear cups in a covered configuration for headphones showing our new design;

FIG. 18 is second perspective view thereof;

FIG. 19 is a third perspective view thereof;

FIG. 20 is a top plan view thereof;

FIG. 21 is a bottom plan view thereof;

FIG. 22 is a front elevational view thereof;

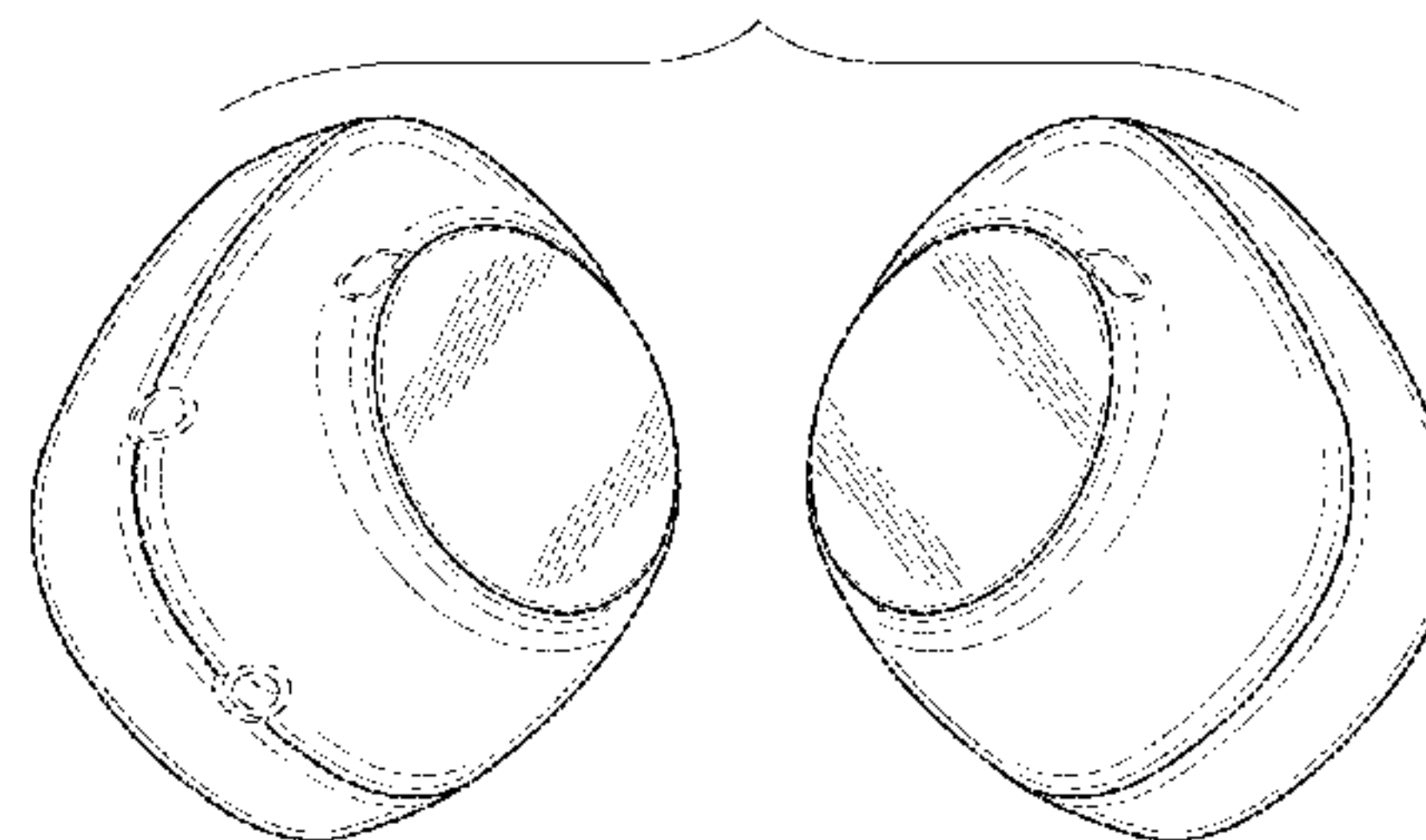
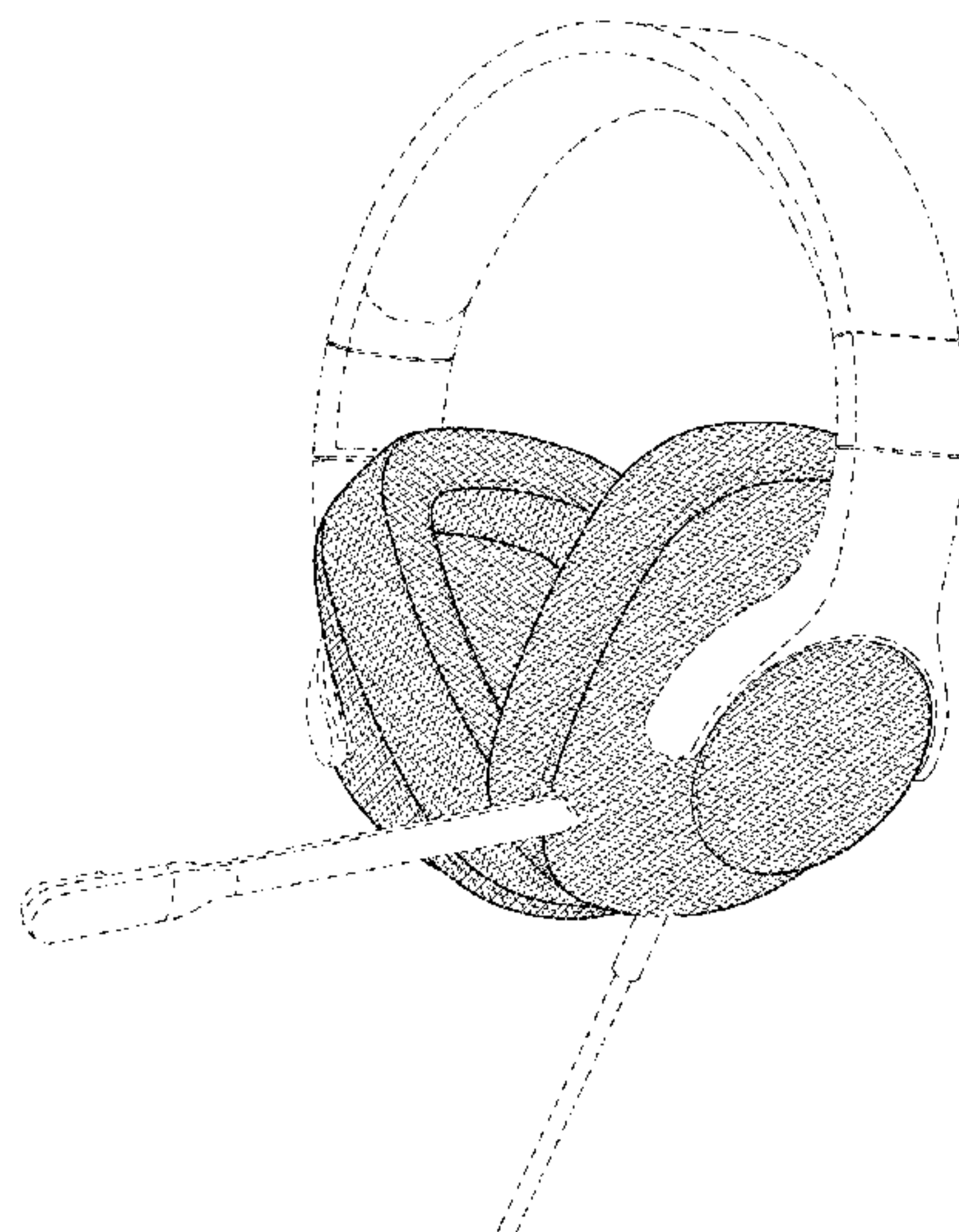
FIG. 23 is a rear elevational view thereof;

FIG. 24 is a left side elevational view thereof; and,

FIG. 25 is a right side elevational view.

The broken lines shown in the figures form no part of the claimed design.

1 Claim, 15 Drawing Sheets



(56)

References Cited

U.S. PATENT DOCUMENTS

2,607,862 A * 8/1952 Panken H04R 1/12
379/452
3,098,307 A * 7/1963 Caldwell, Jr. G09B 5/04
181/20
3,272,926 A * 9/1966 Falkenberg H04R 1/1008
381/370
3,593,341 A * 7/1971 Aileo A42B 3/166
2/209
3,787,899 A * 1/1974 Krawagna H04R 1/1066
2/209
3,815,155 A * 6/1974 Davison A42B 3/166
2/209
3,875,592 A * 4/1975 Aileo A61F 11/14
2/209
D244,300 S * 5/1977 Besasie D14/205
D246,519 S * 11/1977 Kato D14/205
4,471,496 A * 9/1984 Gardner, Jr. A61F 11/14
2/209
4,570,038 A * 2/1986 Tinelli H04R 1/12
379/452
5,001,763 A * 3/1991 Moseley G10K 11/178
381/71.6
5,018,599 A * 5/1991 Dohi H04R 1/1008
181/129
5,023,955 A * 6/1991 Murphy, II A61F 11/14
181/129
D328,461 S * 8/1992 Daido D14/205
D353,818 S * 12/1994 Nakamura D14/205
5,551,090 A * 9/1996 Thompson A61F 11/08
128/866
D376,598 S * 12/1996 Hayashi D14/205
D410,466 S * 6/1999 Mouri D14/205
D420,356 S * 2/2000 Suzuki D14/205

6,081,604 A * 6/2000 Hikichi H04R 1/083
381/124
D467,580 S * 12/2002 Mori D14/223
6,980,666 B1 * 12/2005 Owen H04R 5/033
381/371
D563,382 S * 3/2008 Wikel D14/205
D567,215 S * 4/2008 Lee D14/205
7,388,960 B2 * 6/2008 Kuo H04R 1/1041
379/430
D581,394 S * 11/2008 Lee D14/205
D601,124 S * 9/2009 Uchimura D14/205
D609,694 S * 2/2010 Komiyama D14/205
D620,474 S * 7/2010 Komiyama D14/205
8,358,799 B1 * 1/2013 Gresko H04R 1/1058
381/370
D684,140 S * 6/2013 Enquist D14/205
D684,559 S * 6/2013 Groset D14/205
D686,593 S * 7/2013 Larsen D14/205
D695,263 S * 12/2013 Mogili D14/205
D697,897 S * 1/2014 Lee D14/205
D704,162 S * 5/2014 Davies H04S 1/005
D14/205
D708,162 S * 7/2014 Wenger H04S 1/005
D14/205
D719,135 S * 12/2014 Kelley D14/205
D722,589 S * 2/2015 Lu D14/205
D722,590 S * 2/2015 Lu D14/205
D722,998 S * 2/2015 Sancho D14/205
D739,842 S * 9/2015 Birger D14/205
D787,469 S * 5/2017 Djohar D14/205
D802,556 S * 11/2017 Galler D14/205
D809,475 S * 2/2018 Dryden D14/205
D810,718 S * 2/2018 Galler D14/205
D811,362 S * 2/2018 Petersen D14/205
D813,837 S * 3/2018 Paterson D14/205

* cited by examiner

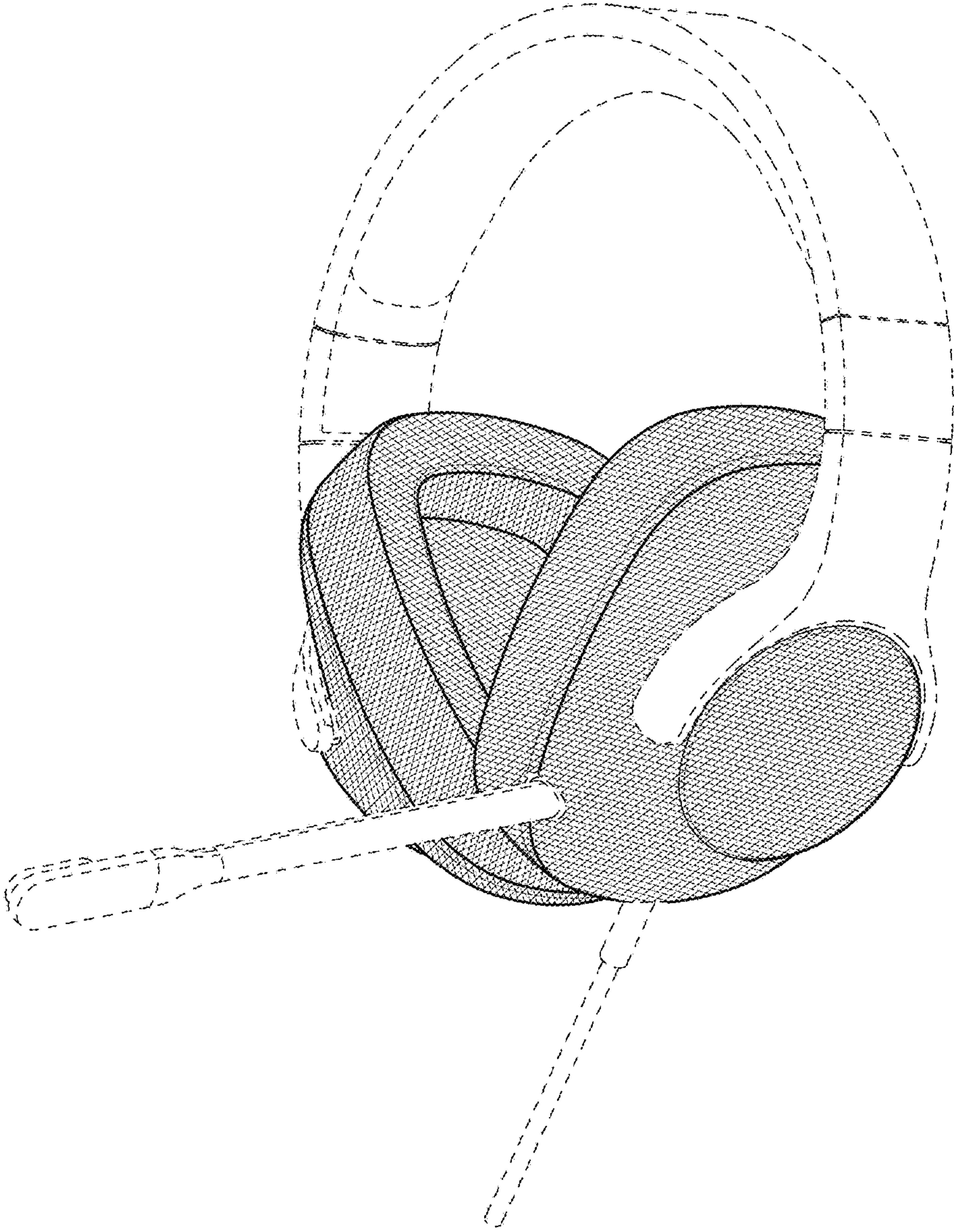


FIG. 1

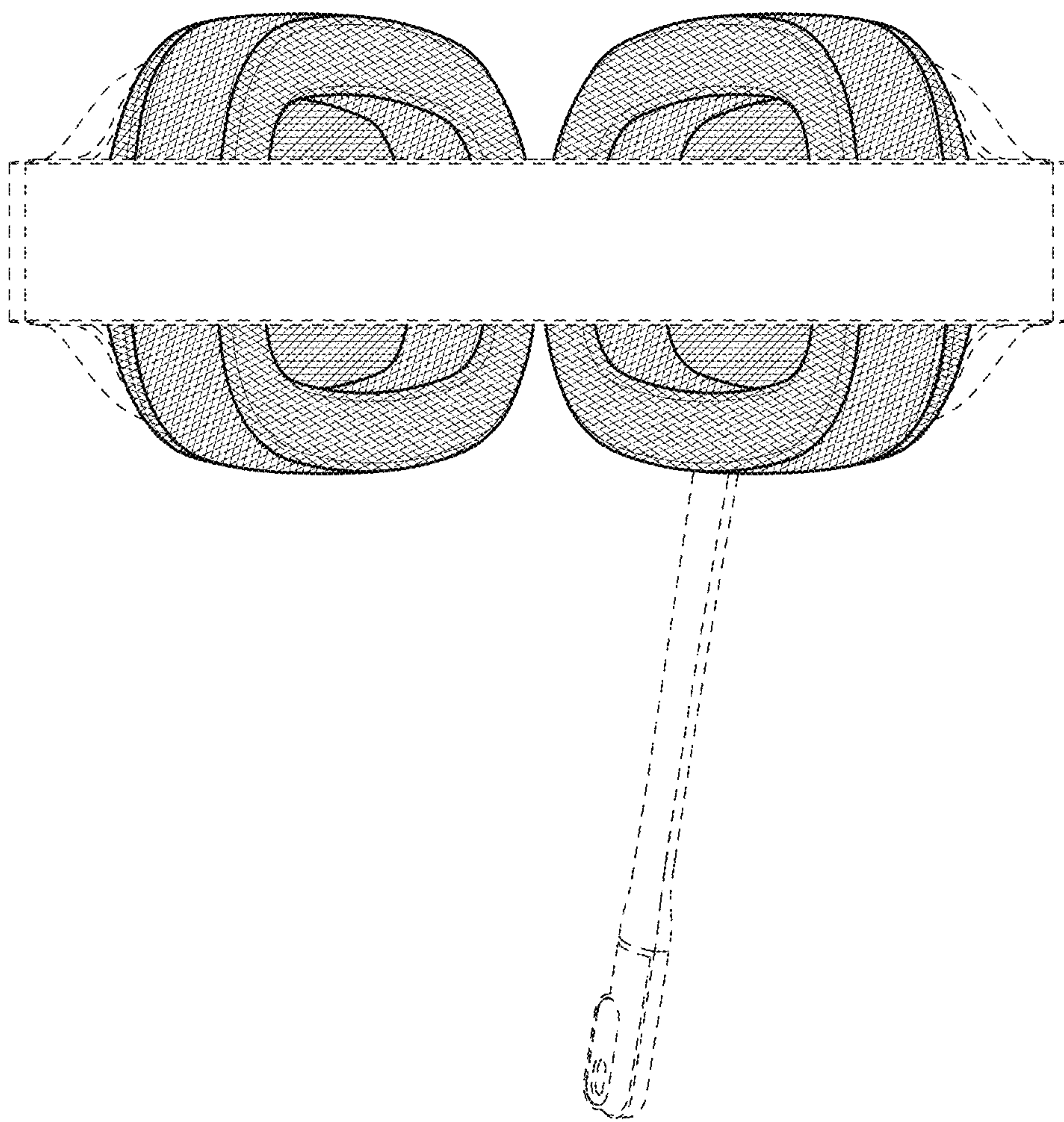


FIG. 2

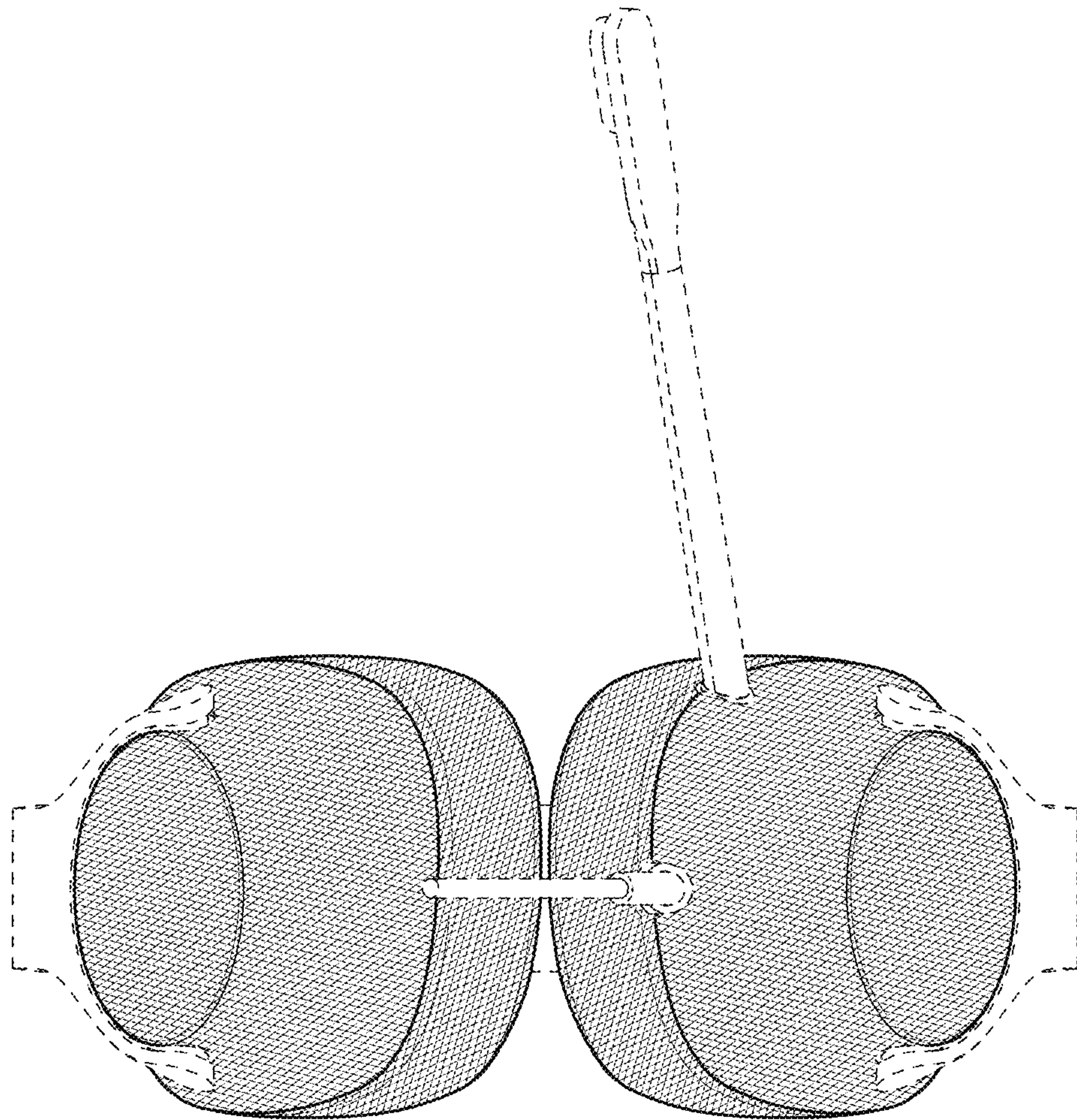


FIG. 3

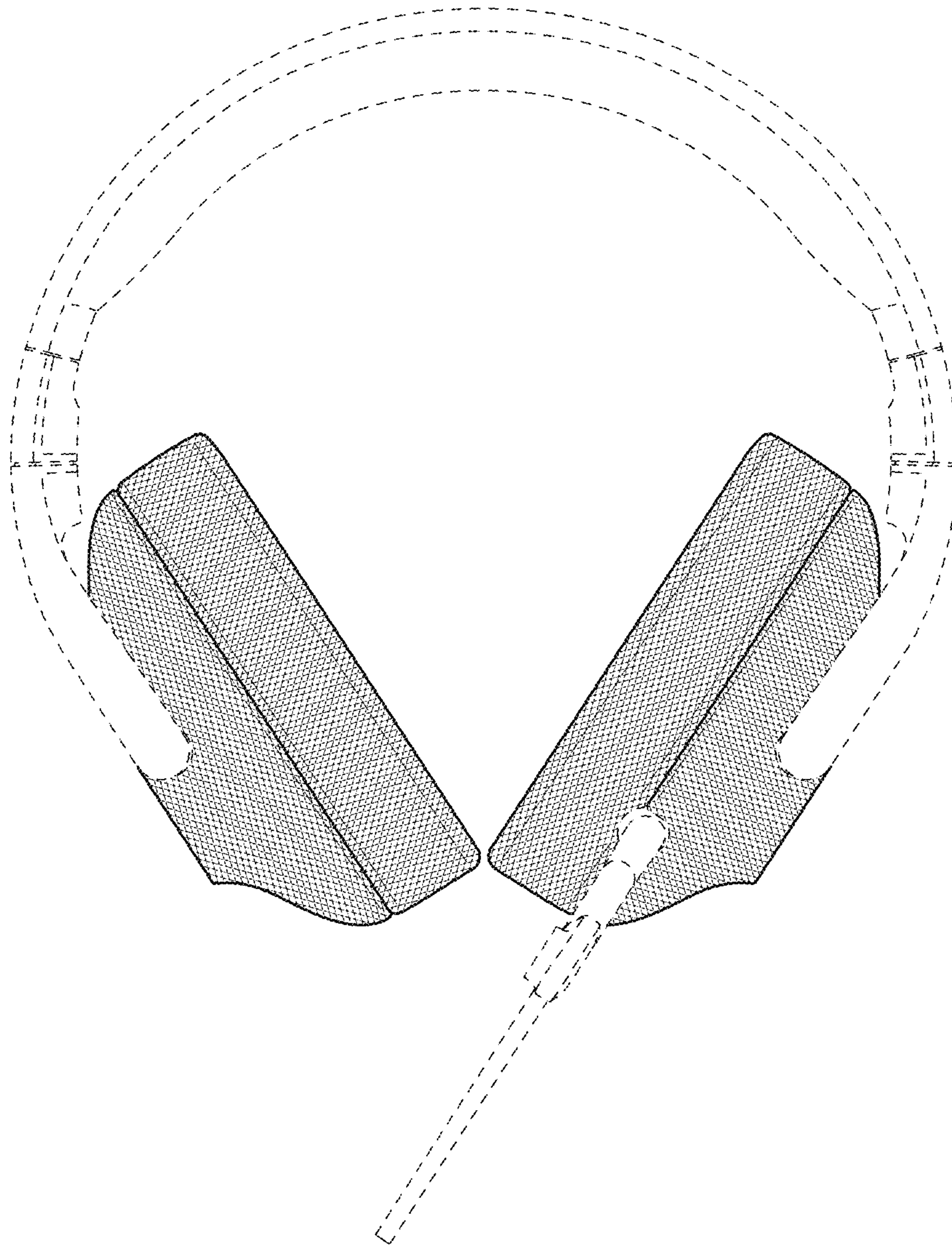


FIG. 4

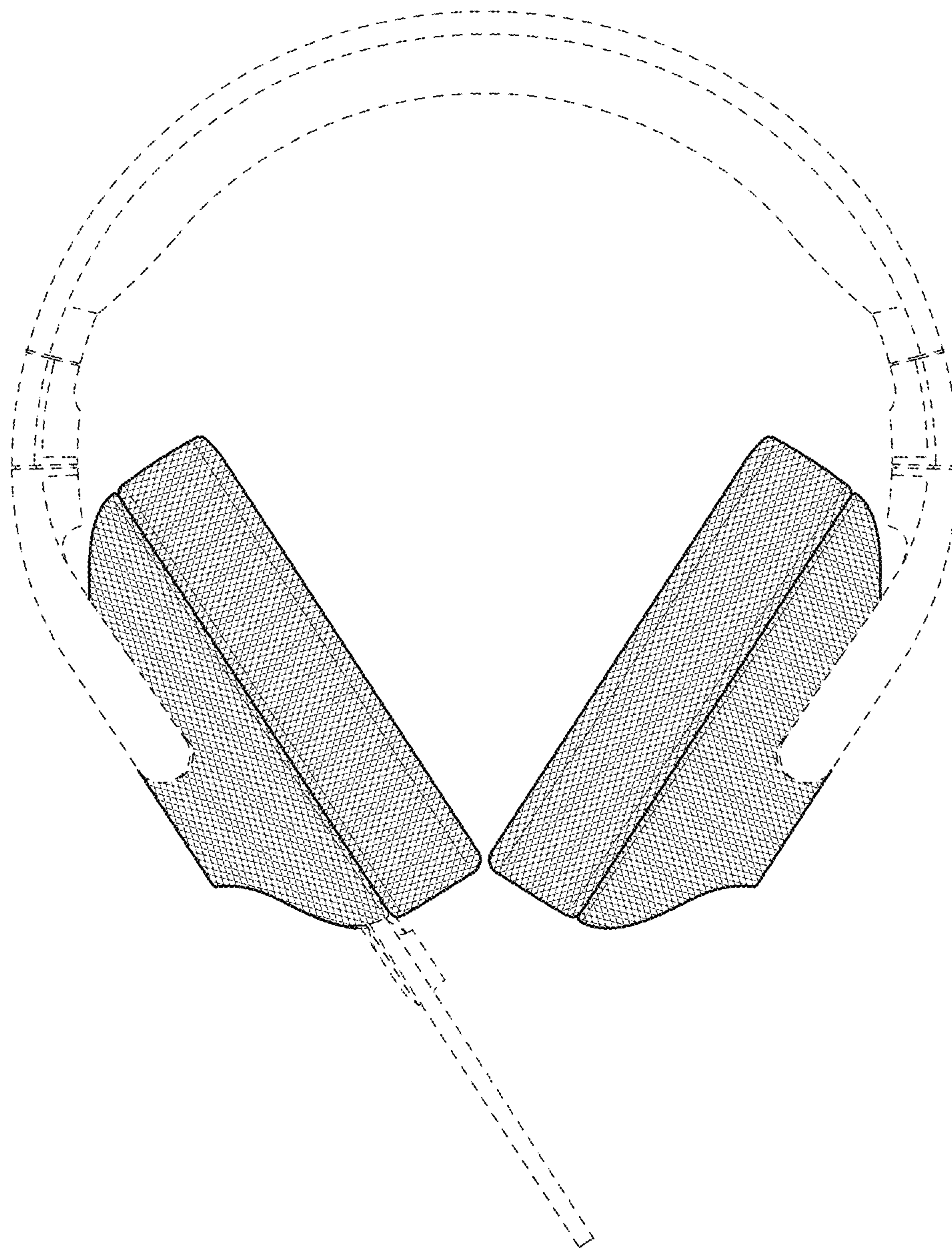


FIG. 5

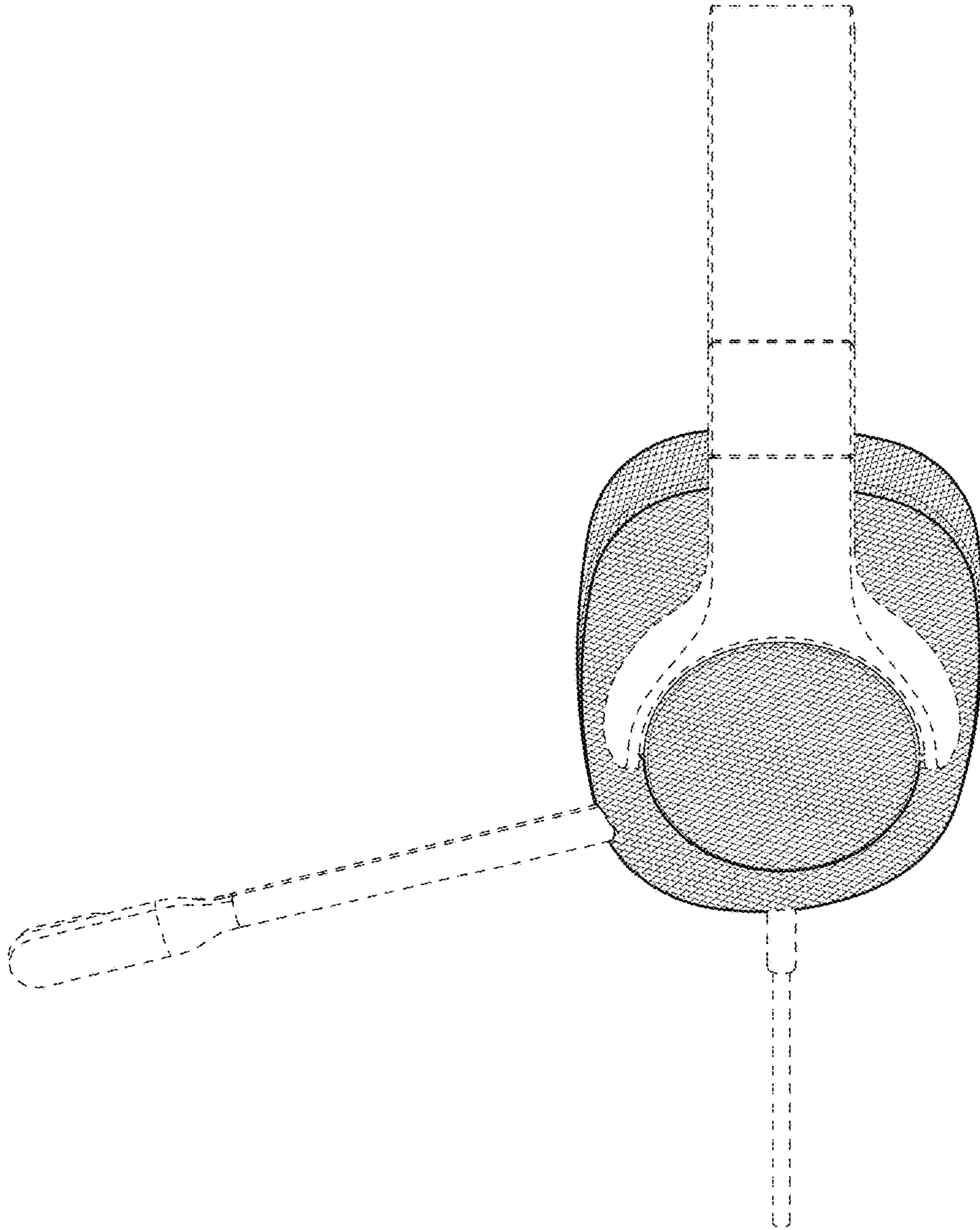


FIG. 6

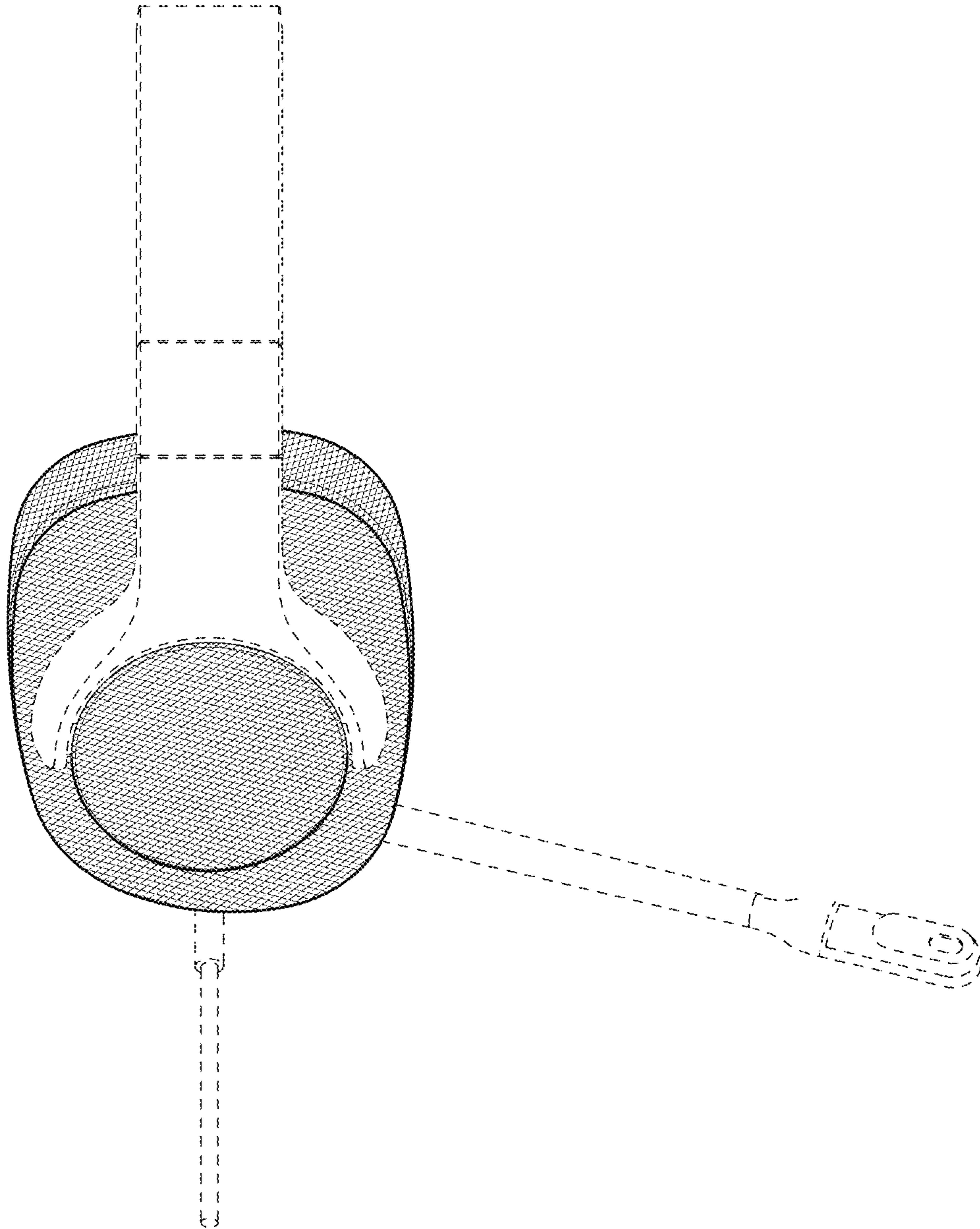
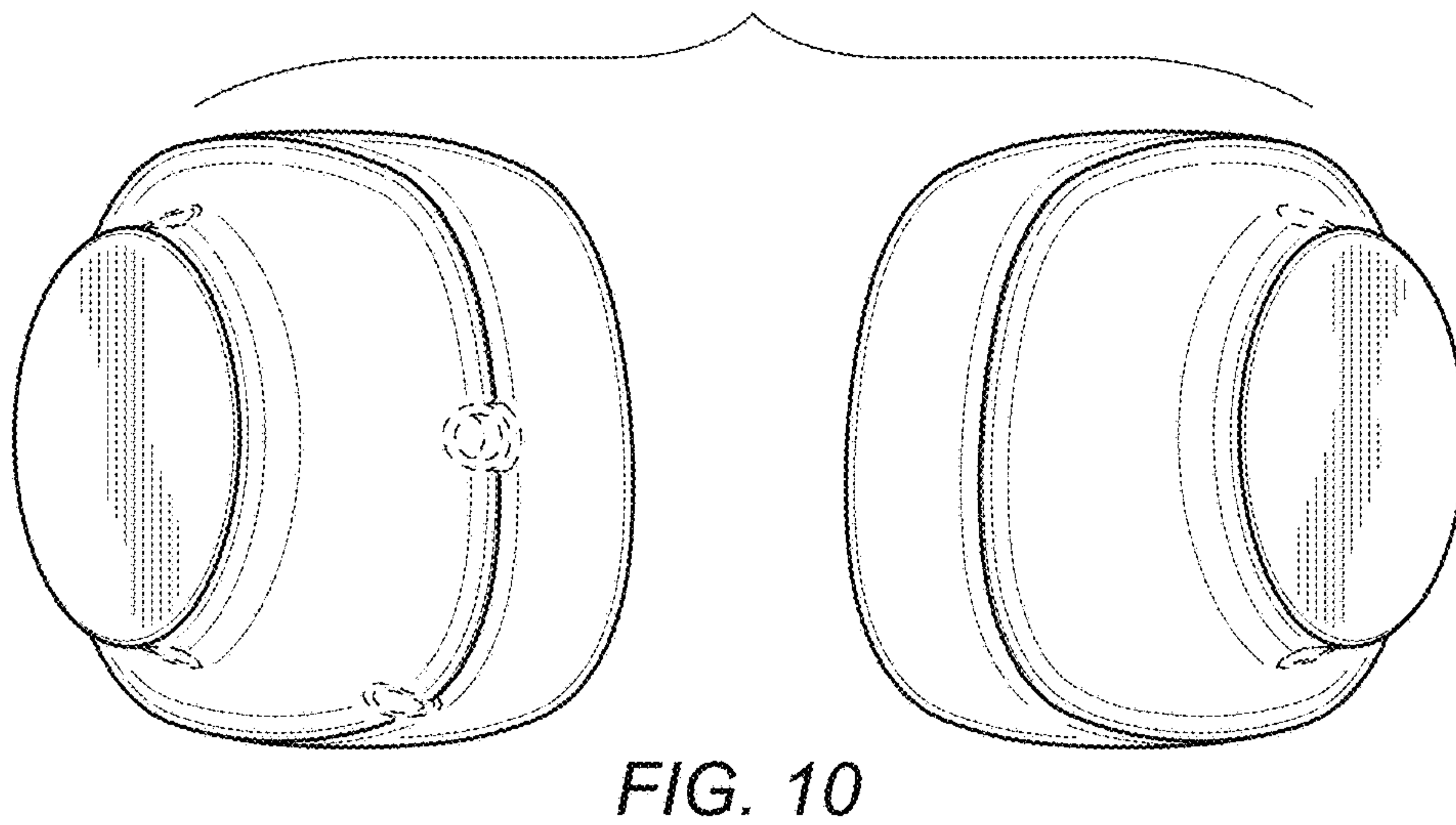
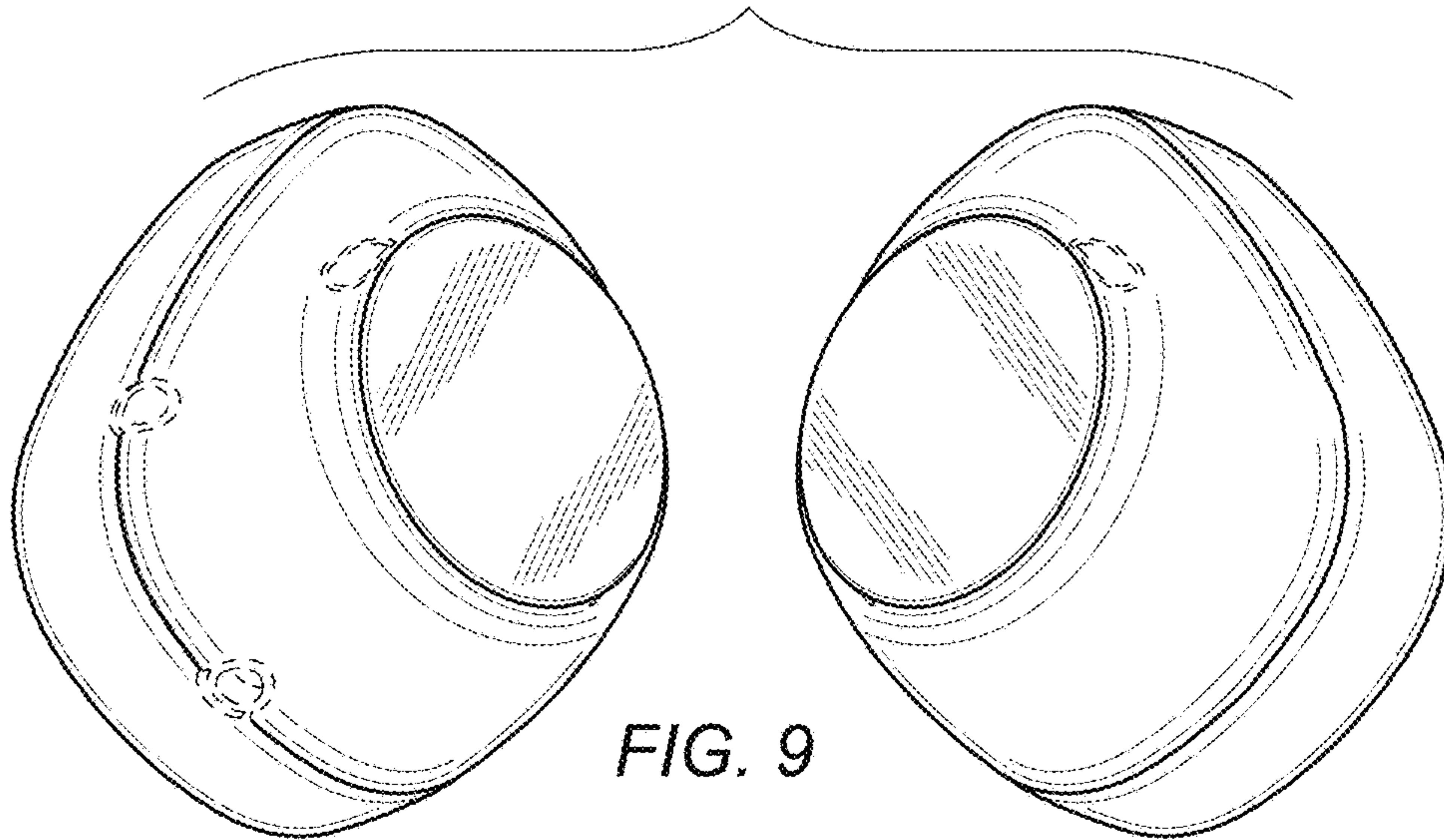
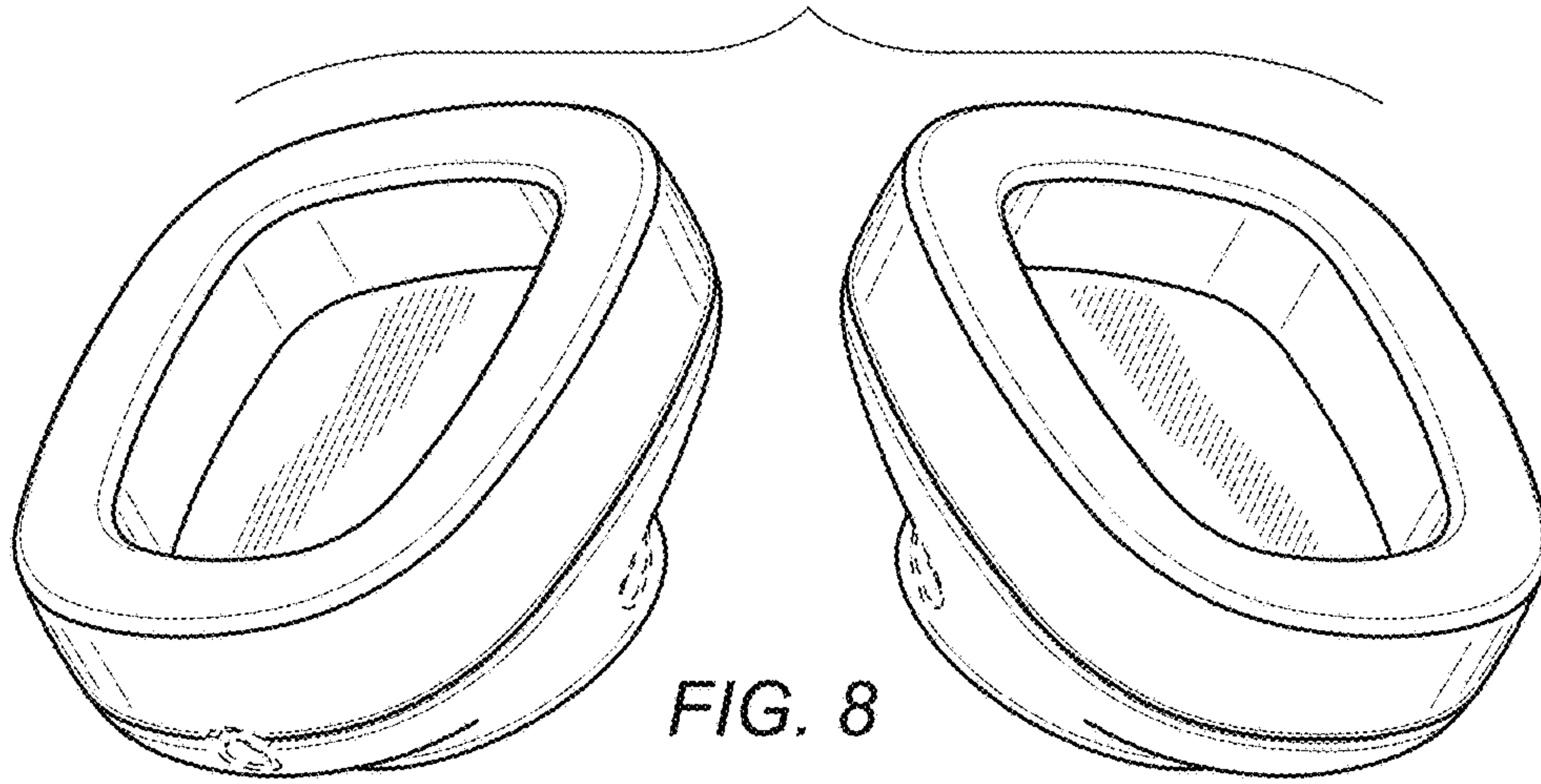


FIG. 7



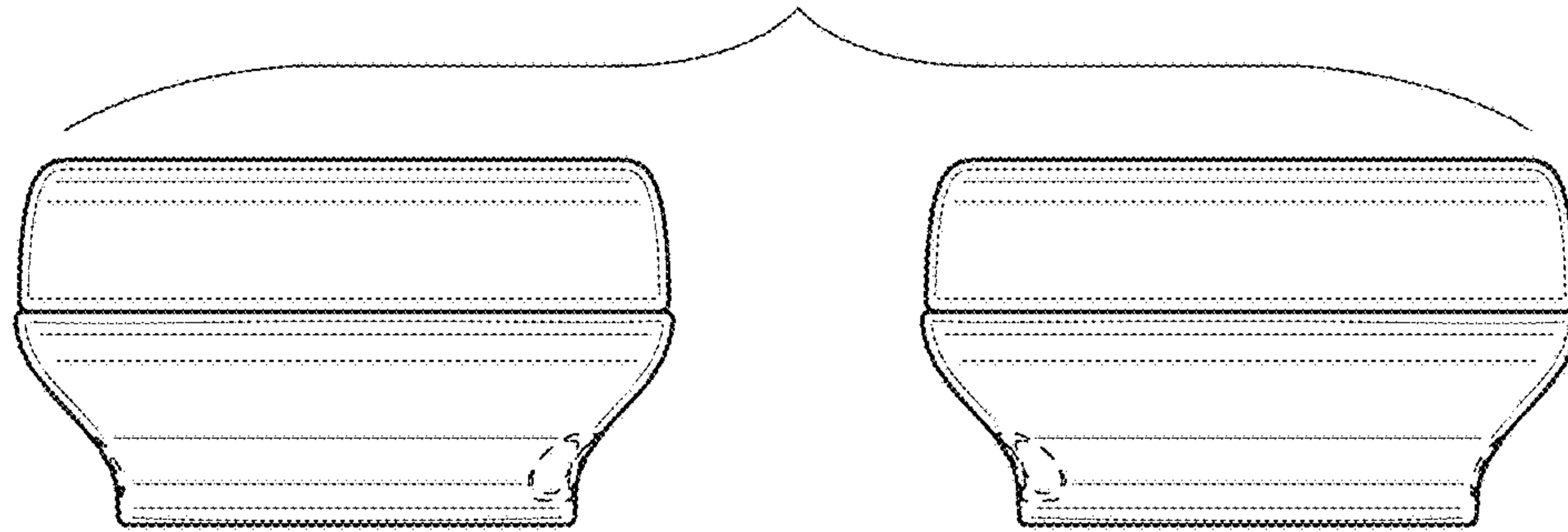


FIG. 11

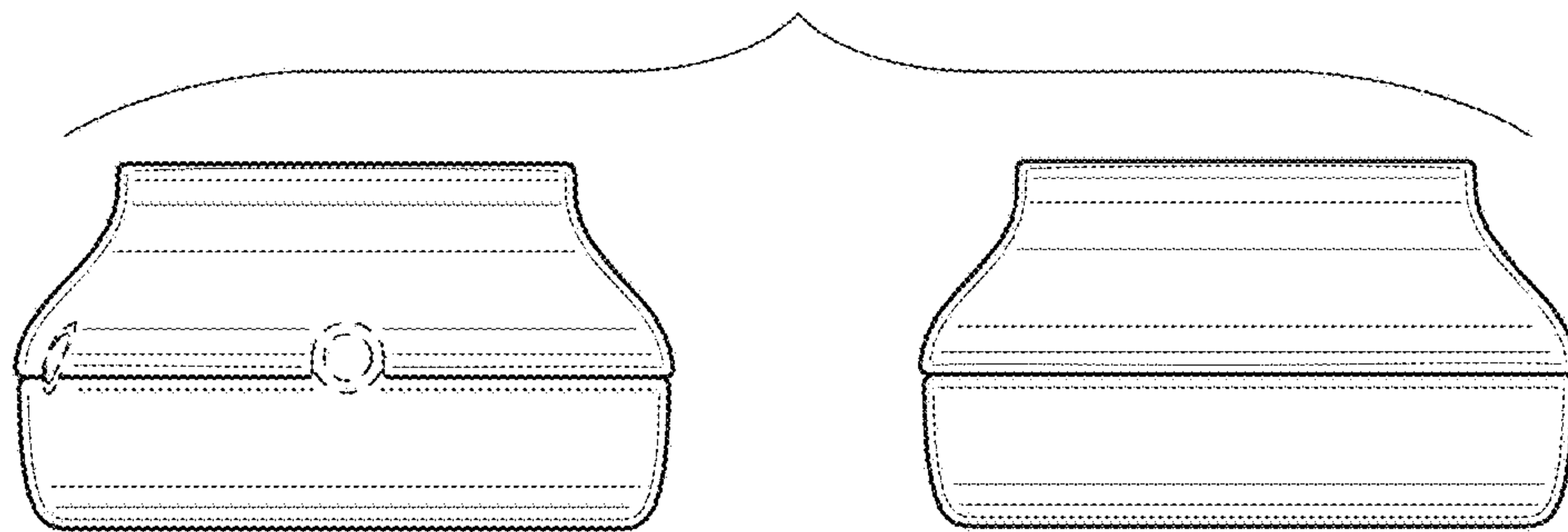


FIG. 12

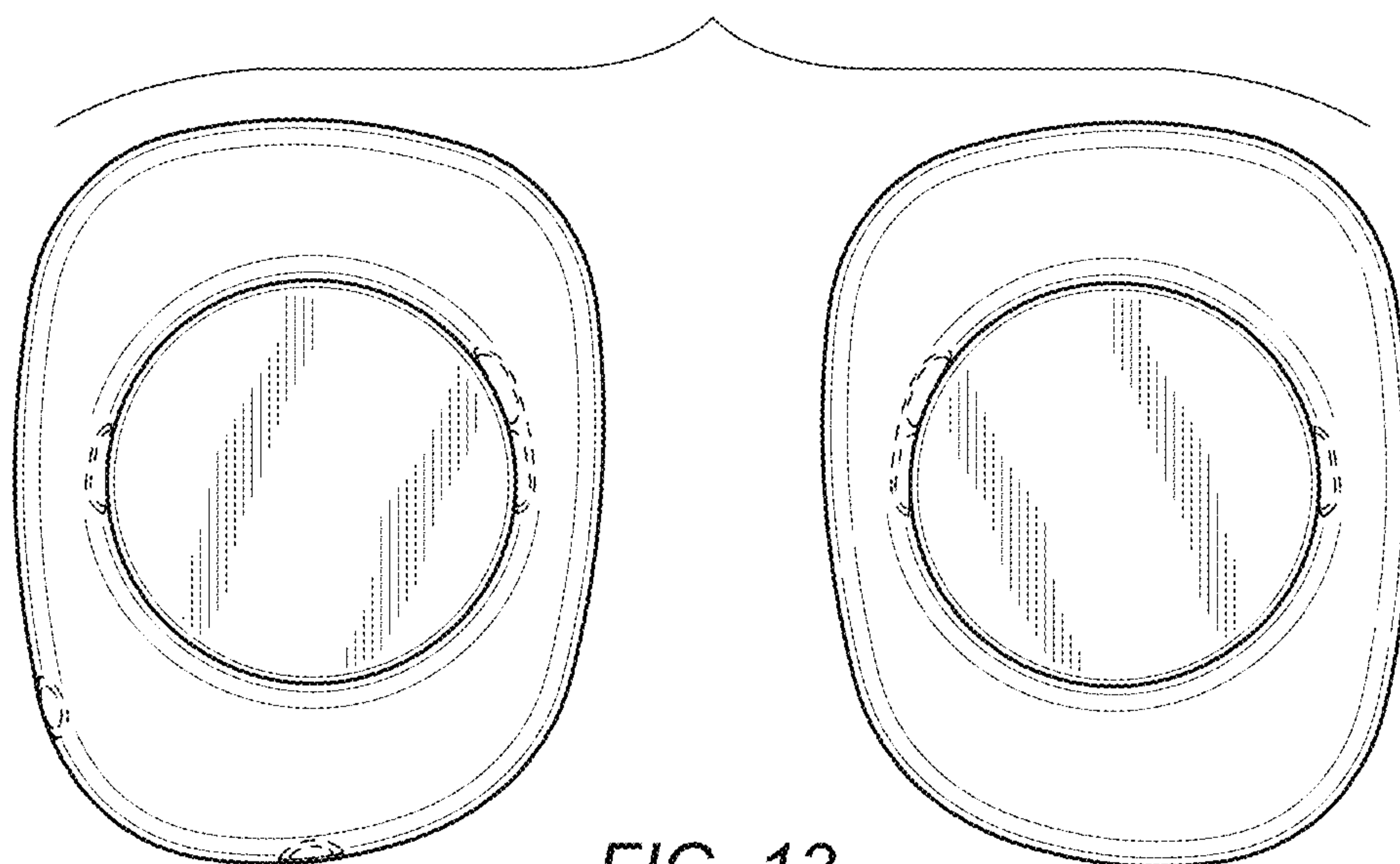


FIG. 13

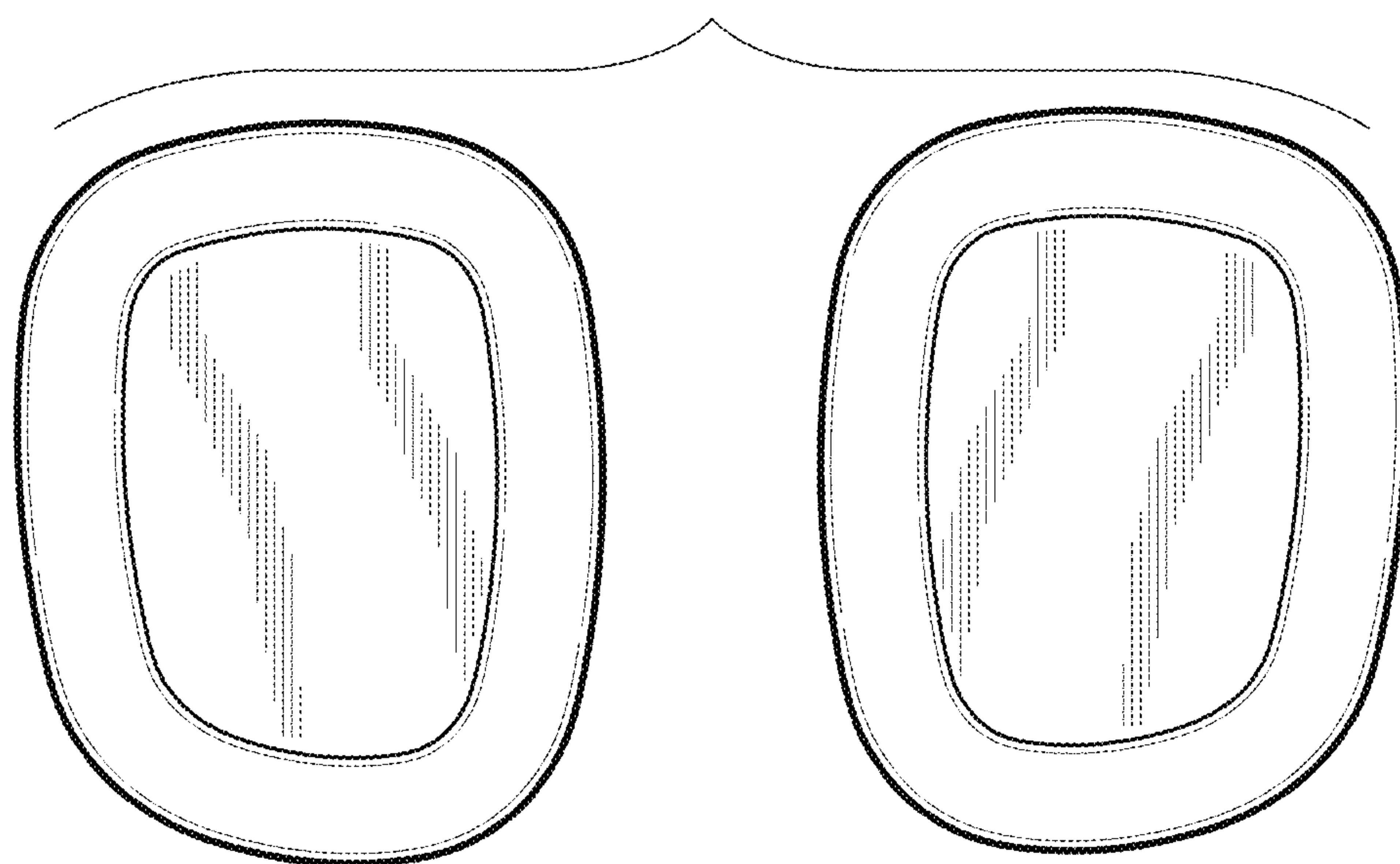


FIG. 14

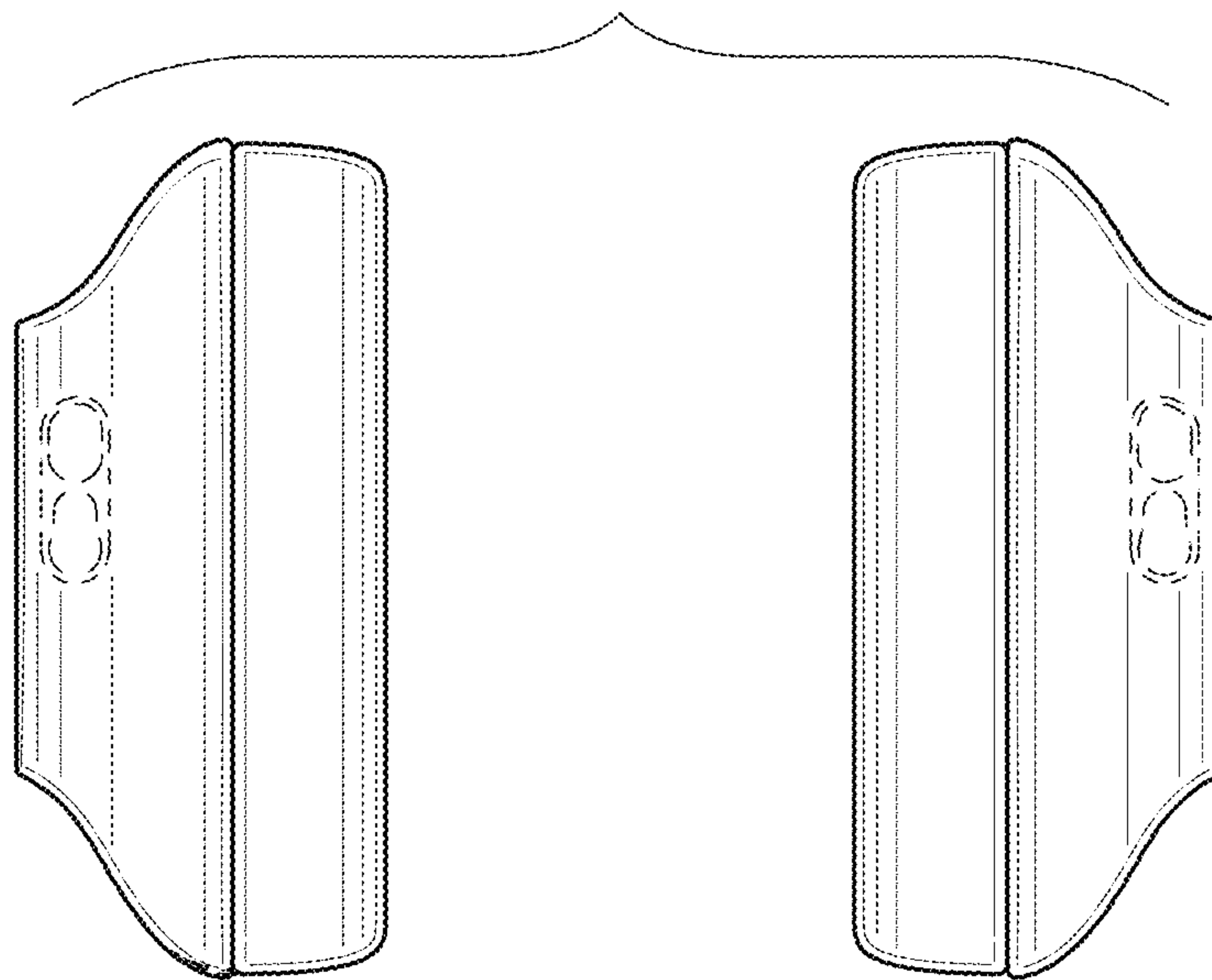


FIG. 15

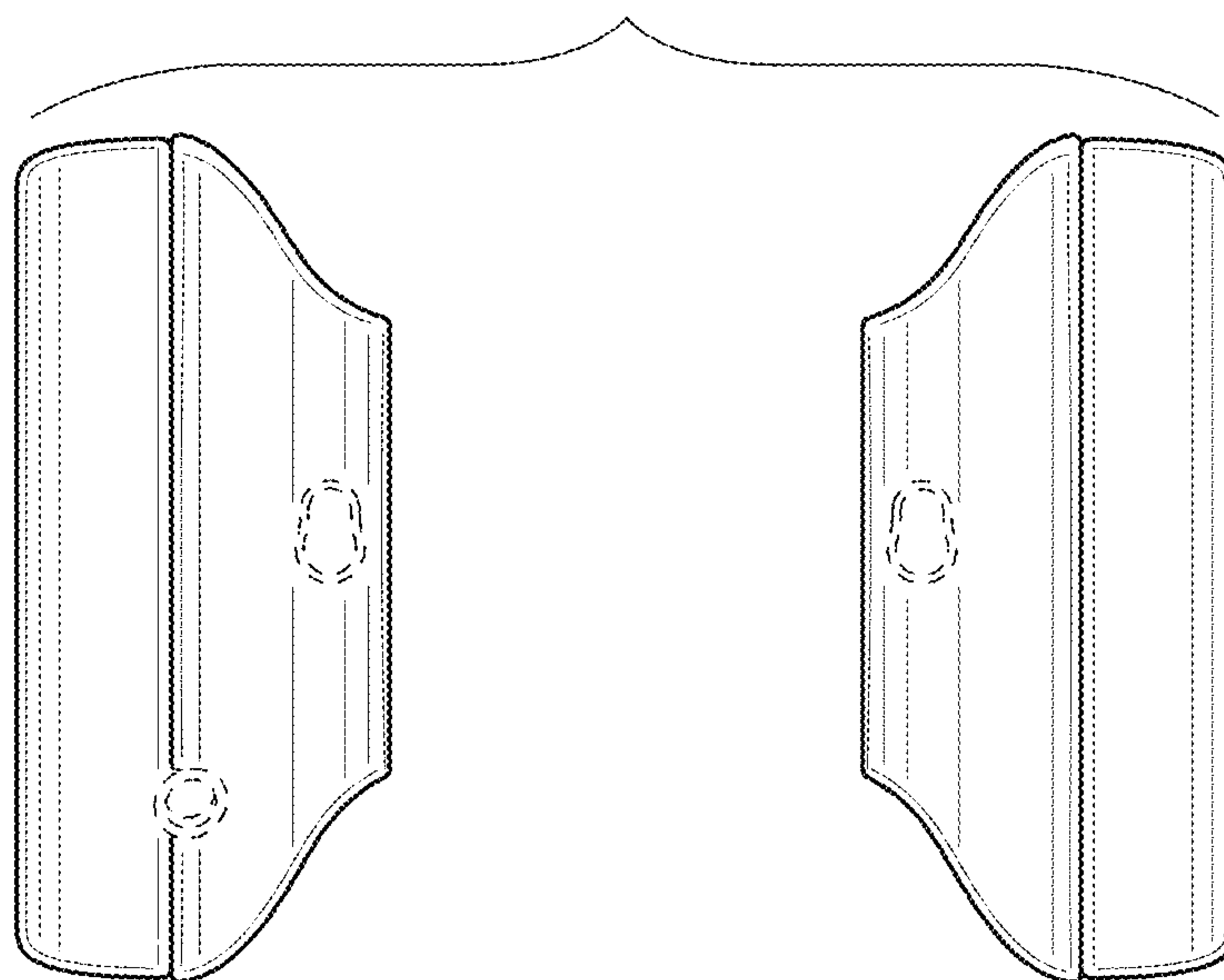
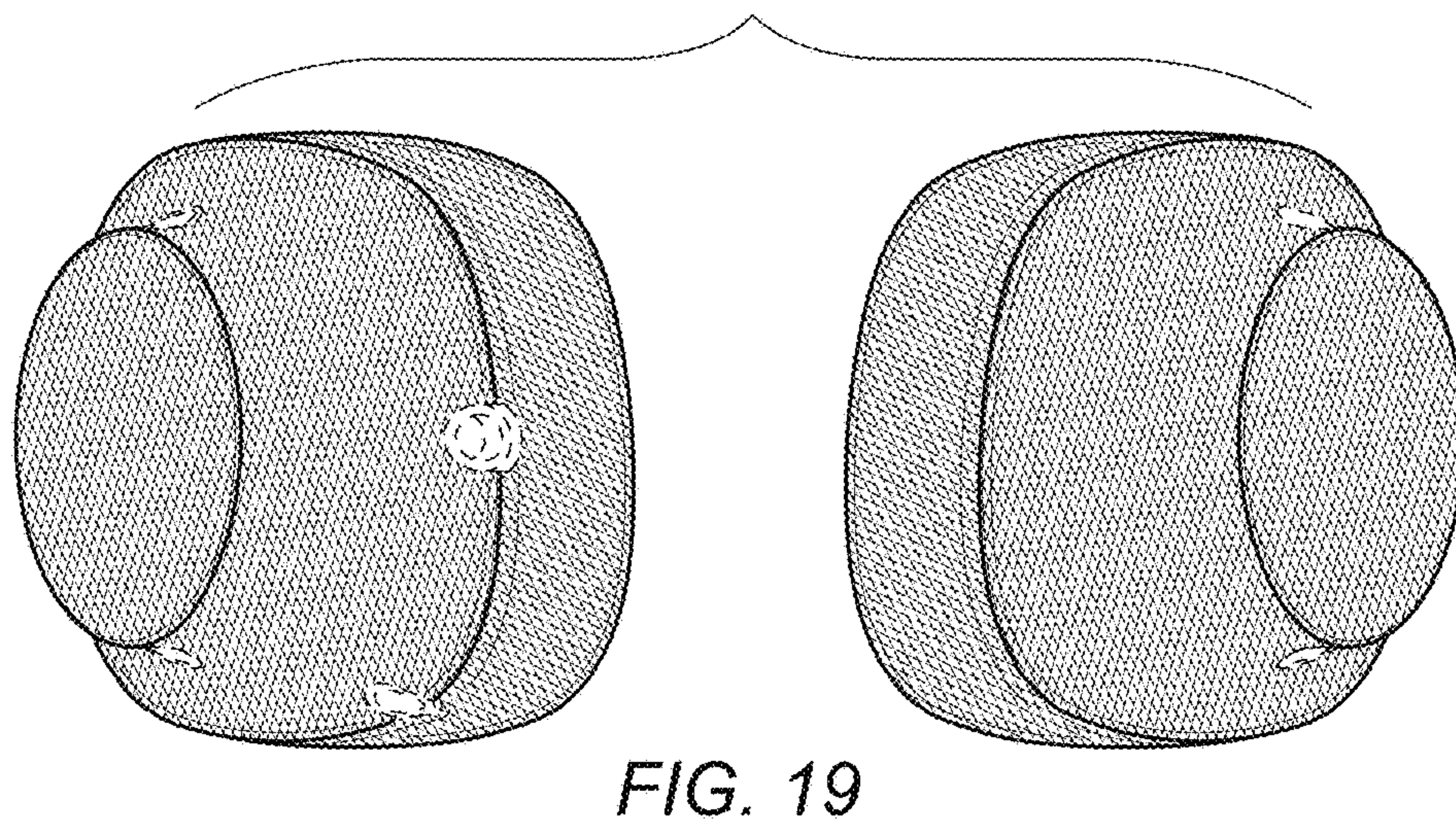
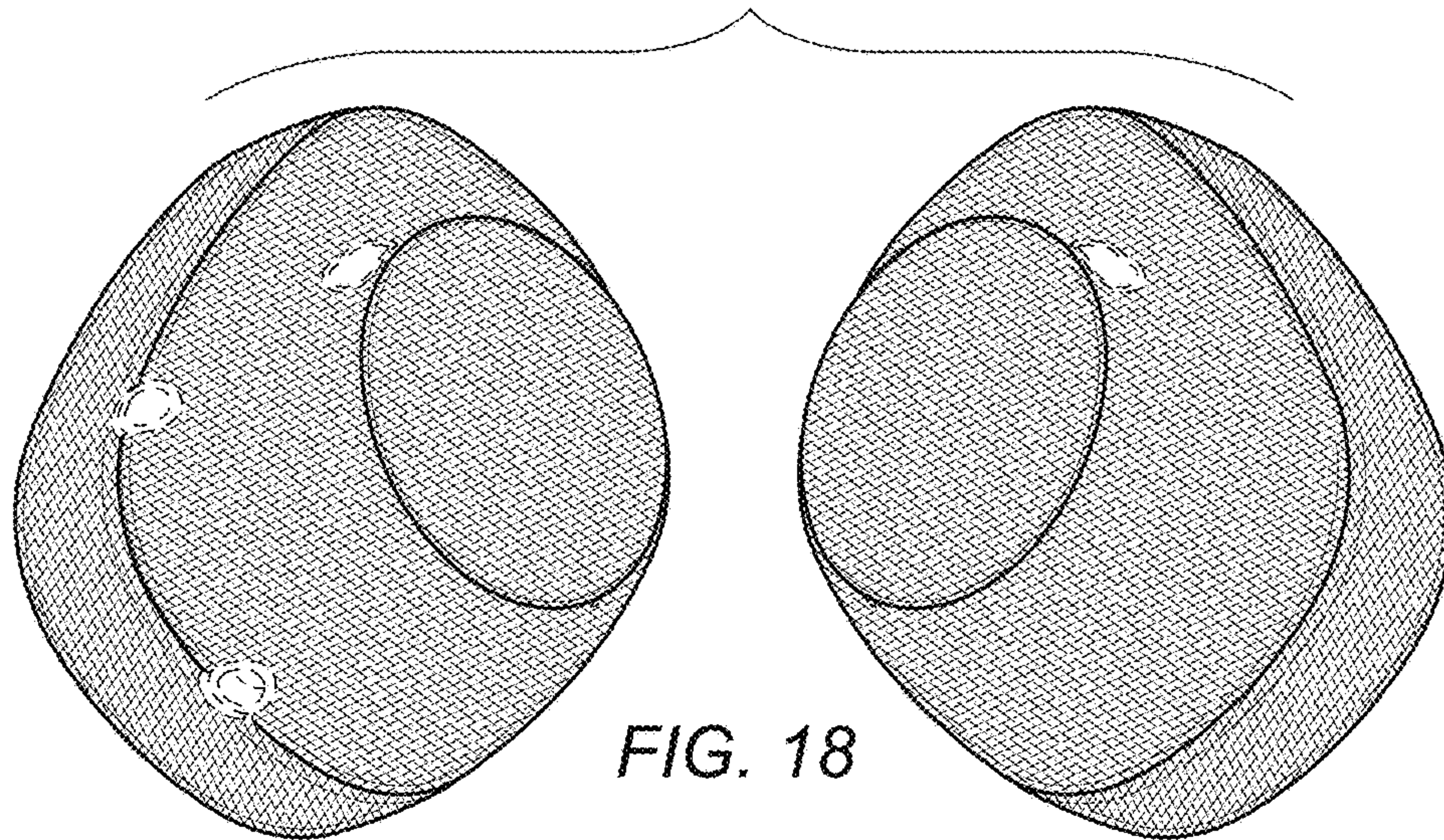
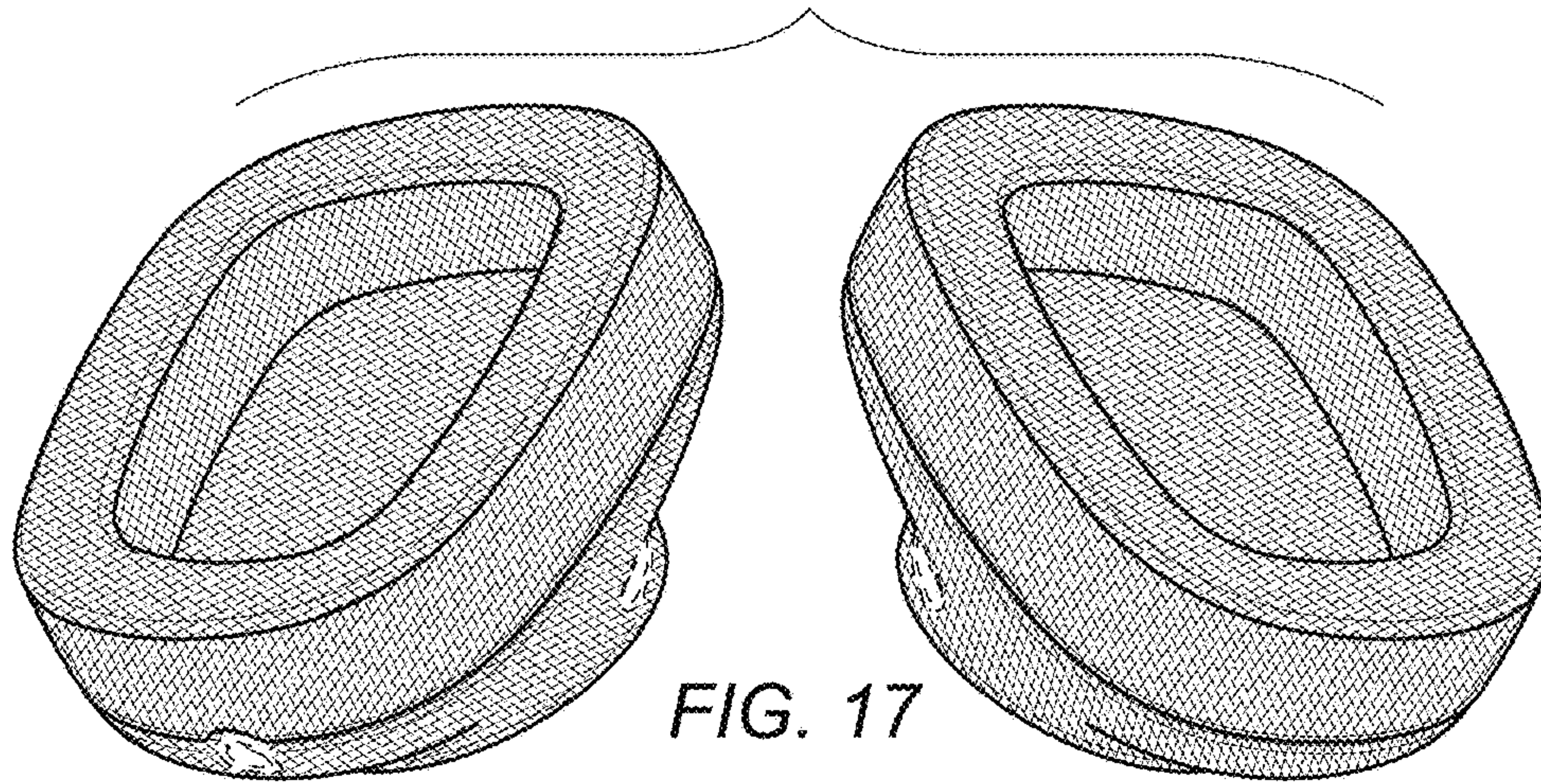


FIG. 16



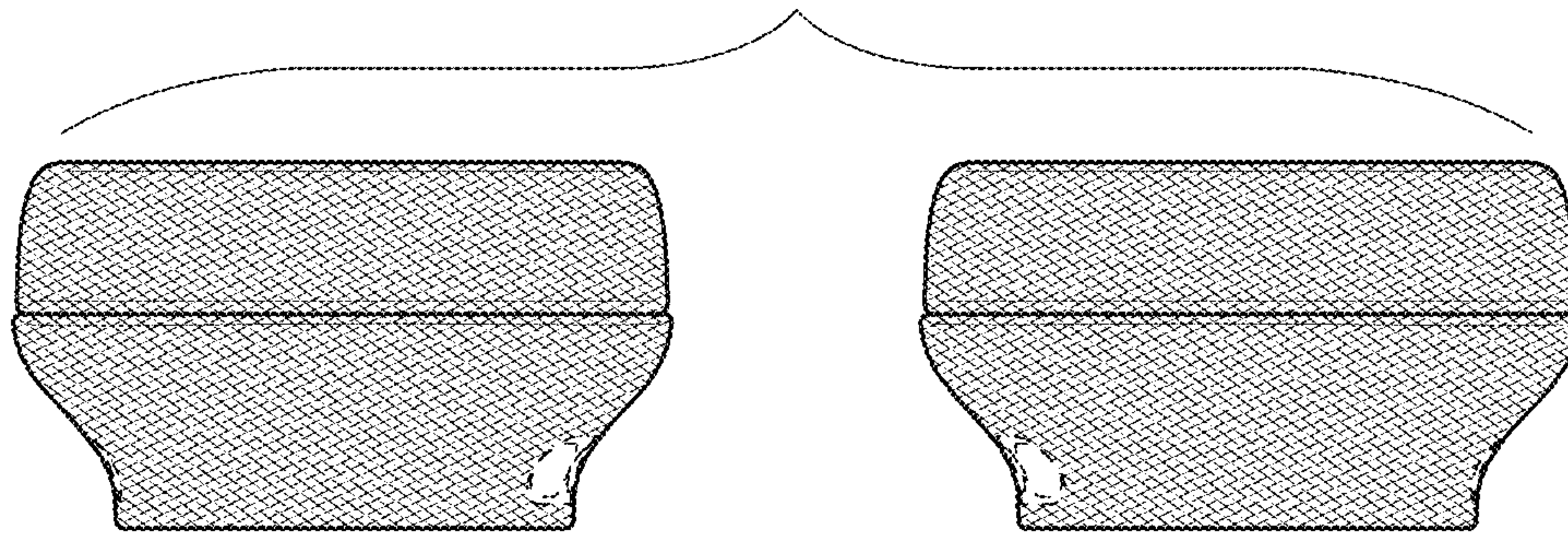


FIG. 20

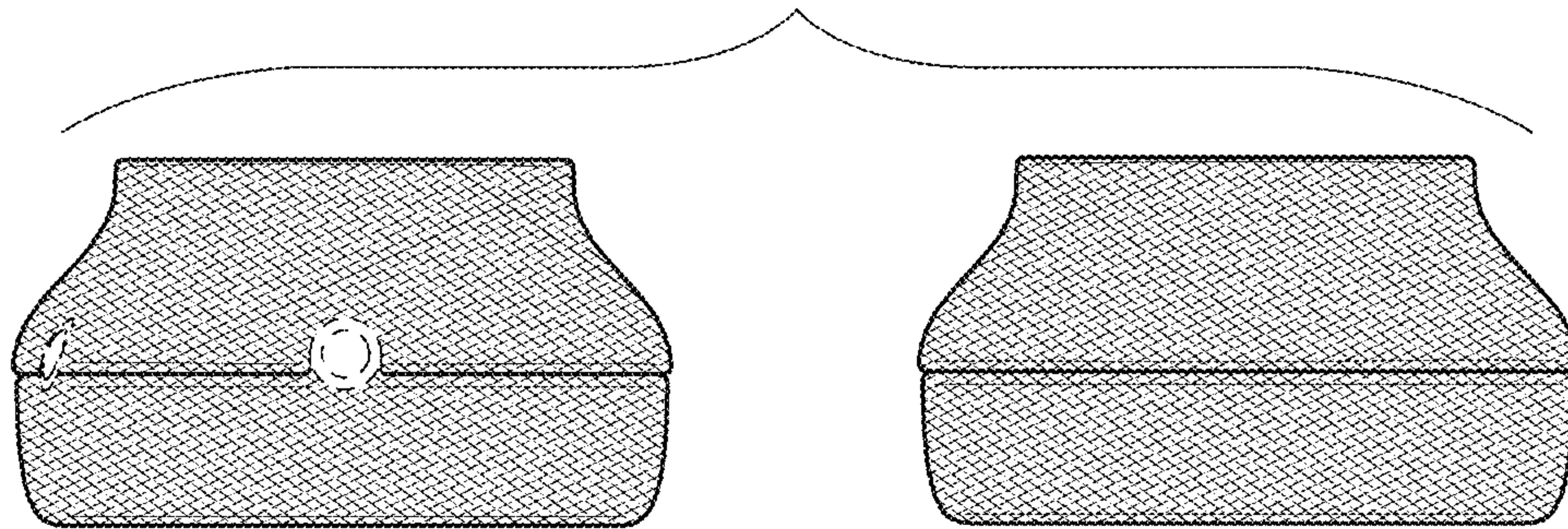


FIG. 21

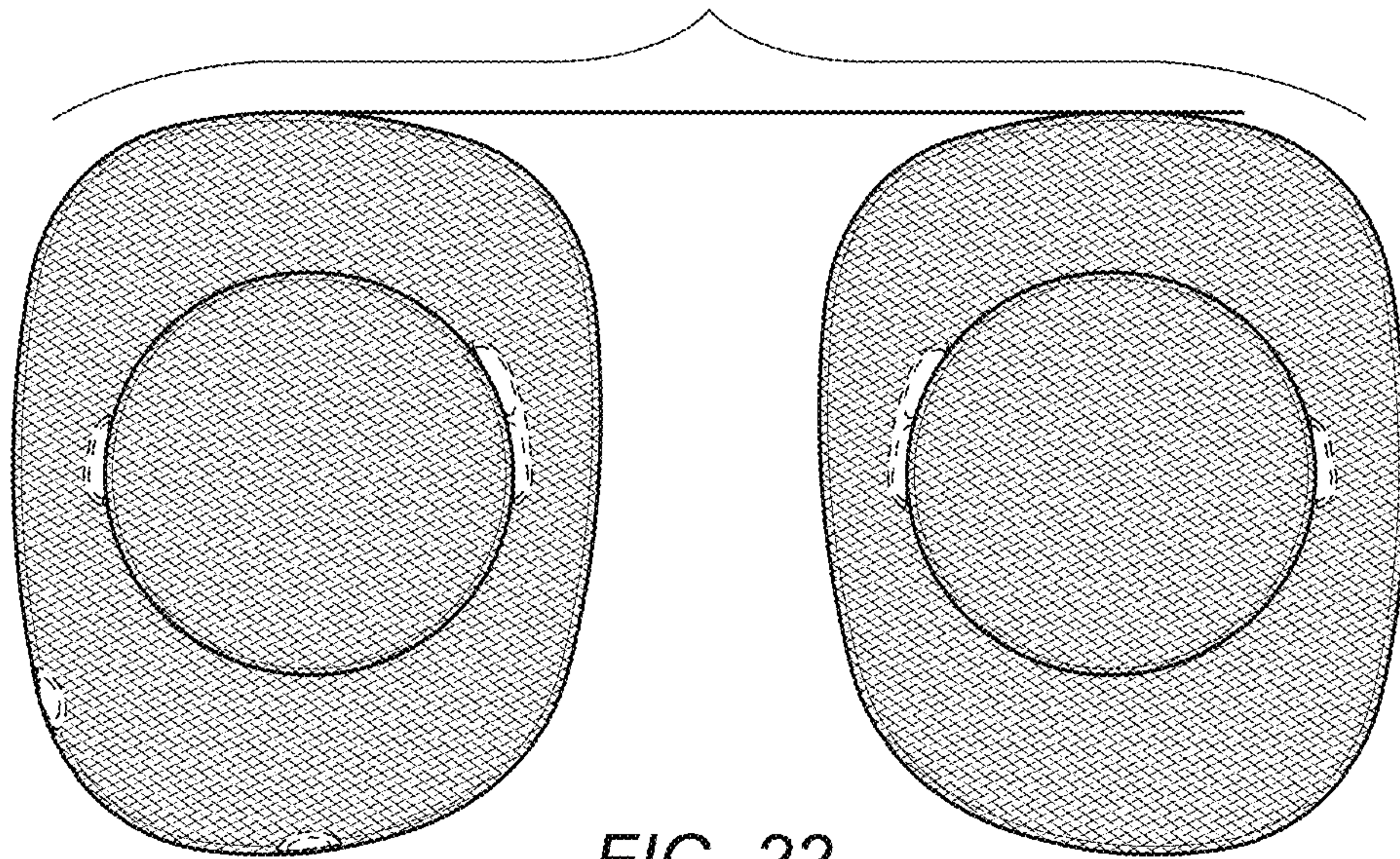


FIG. 22

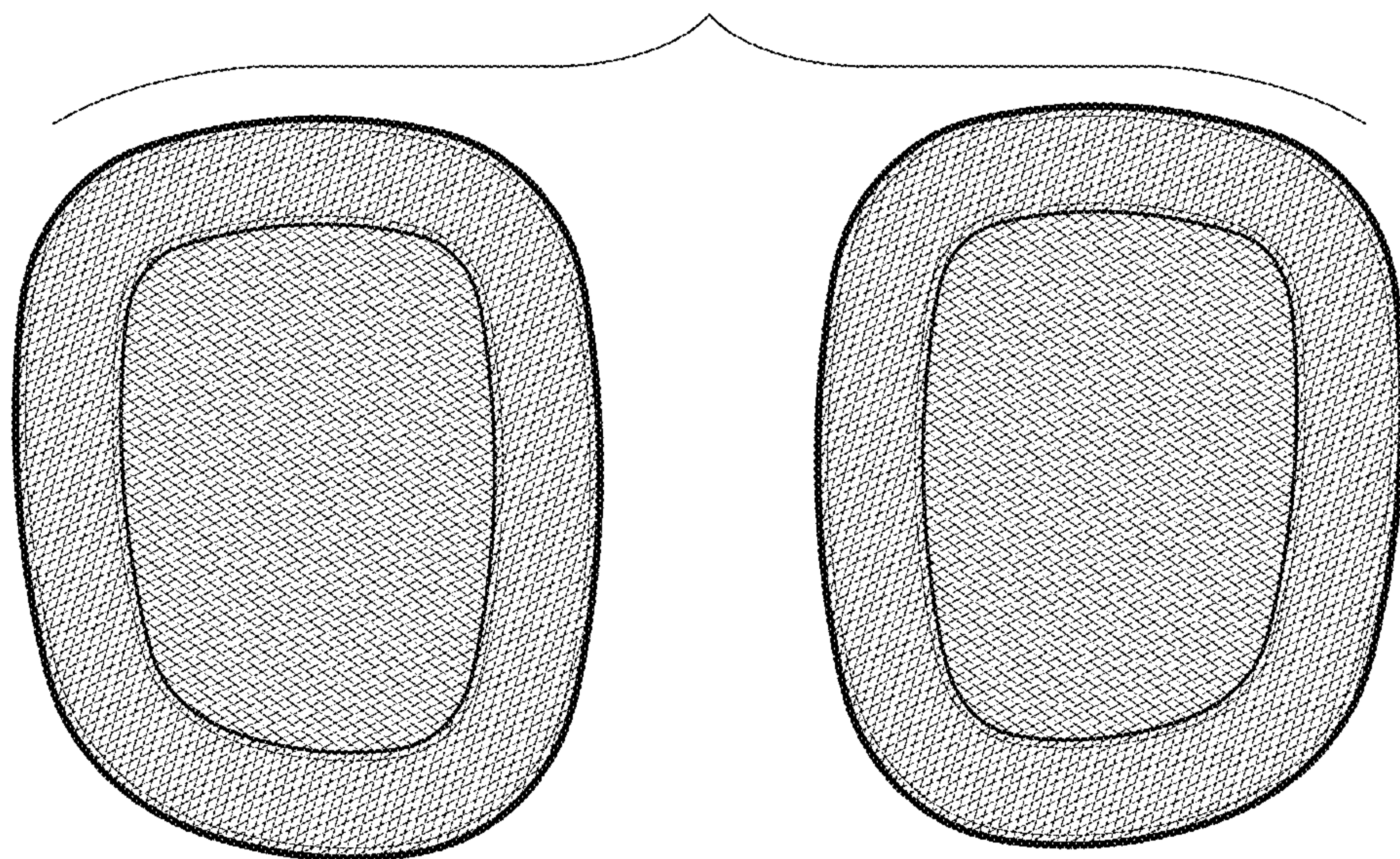


FIG. 23

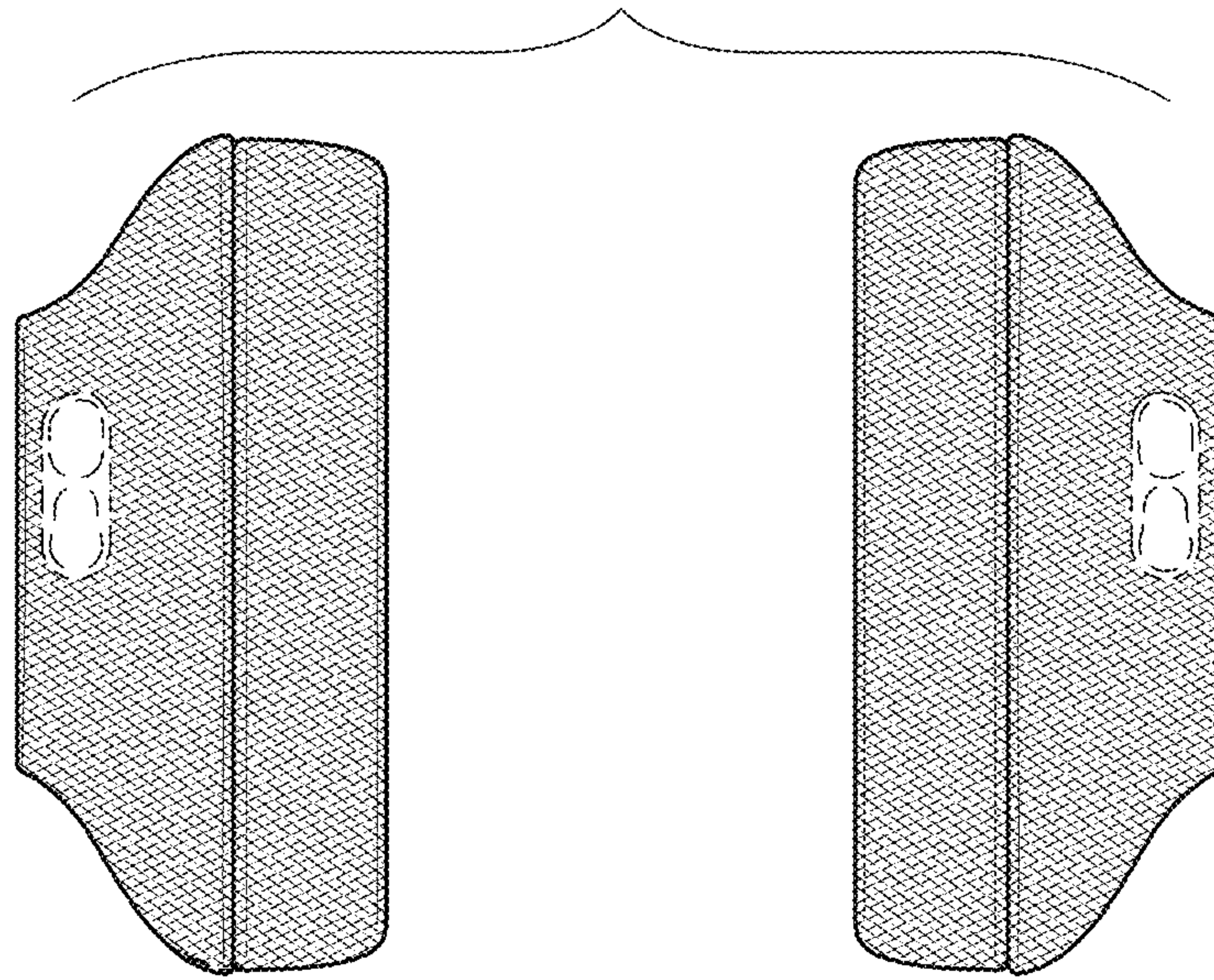


FIG. 24

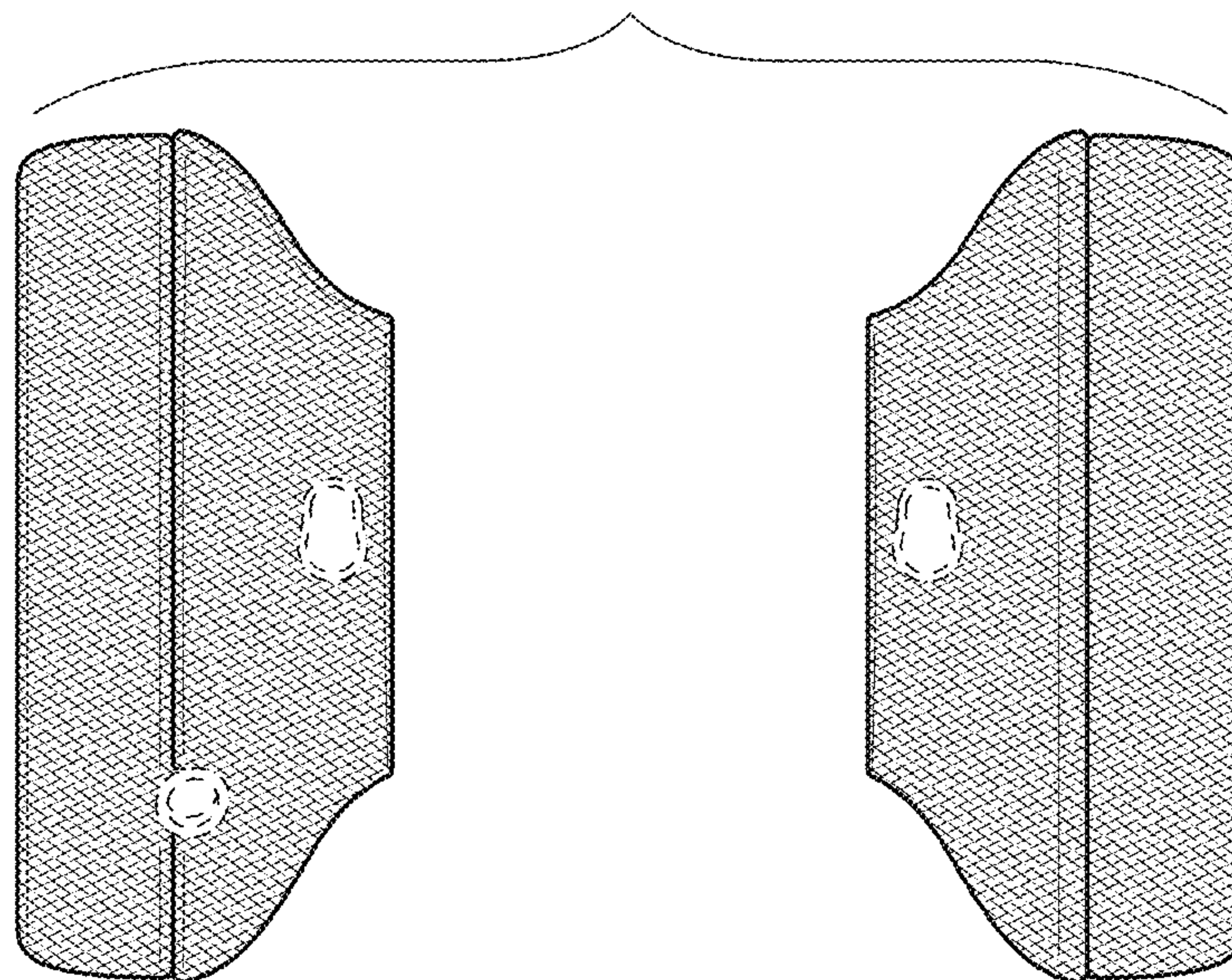


FIG. 25