



US00D826894S

(12) **United States Design Patent**  
**Zhang**

(10) **Patent No.:** **US D826,894 S**

(45) **Date of Patent:** **\*\* Aug. 28, 2018**

(54) **HEADPHONE**

(71) Applicant: **Sensen Zhang, Zhang (CN)**

(72) Inventor: **Sensen Zhang, Zhang (CN)**

(\*\*) Term: **15 Years**

(21) Appl. No.: **29/595,758**

(22) Filed: **Mar. 2, 2017**

(51) **LOC (11) Cl.** ..... **14-01**

(52) **U.S. Cl.**  
USPC ..... **D14/205**

(58) **Field of Classification Search**  
USPC ..... D14/205, 188, 192; D29/112; 2/209;  
181/129, 130, 135; 379/430, 431;  
381/380, 381, 74, 374; 455/90.3, 575.1,  
455/569.1

CPC .... H04R 1/1066; H04R 1/1016; H04R 5/033;  
H04R 5/0335; H04R 1/10; H04R 25/00  
See application file for complete search history.

(56) **References Cited**

**U.S. PATENT DOCUMENTS**

- 4,783,822 A \* 11/1988 Toole ..... H04M 1/05  
2/209
- D313,092 S \* 12/1990 Nilsson ..... D14/205
- 5,293,647 A \* 3/1994 Mirmilshhteyn ..... H04R 1/10  
2/209
- 6,449,806 B1 \* 9/2002 Engelhard ..... H04M 1/05  
2/209
- D476,639 S \* 7/2003 Bergeron ..... D14/205
- D484,485 S \* 12/2003 Matsuoka ..... D14/205
- D492,943 S \* 7/2004 Komiyama ..... D14/205
- D505,411 S \* 5/2005 Sakai ..... D14/192
- D512,708 S \* 12/2005 Harris, Jr. .... D14/205
- D534,155 S \* 12/2006 Obata ..... D14/205
- D534,156 S \* 12/2006 Obata ..... D14/205
- D538,261 S \* 3/2007 Taylor ..... D14/205
- D540,301 S \* 4/2007 Obata ..... D14/205

- D540,777 S \* 4/2007 Rausch ..... D14/205
- D541,255 S \* 4/2007 Taylor ..... D14/205
- 7,245,735 B2 \* 7/2007 Han ..... H04R 1/1008  
379/430
- D556,187 S \* 11/2007 Feng ..... D14/205
- D573,581 S \* 7/2008 Gondo ..... D14/205
- D576,604 S \* 9/2008 Suzuki ..... D14/205
- D588,100 S \* 3/2009 Densho ..... D14/205
- D617,769 S \* 6/2010 Birger ..... D14/205
- D620,474 S \* 7/2010 Komiyama ..... D14/205
- D666,579 S \* 9/2012 Hou ..... D14/205
- 8,295,529 B2 \* 10/2012 Petersen ..... H04R 1/083  
381/371
- D678,859 S \* 3/2013 Lee ..... D14/205
- D678,860 S \* 3/2013 Hagelin ..... D14/205
- D688,648 S \* 8/2013 Li ..... D14/205
- D697,048 S \* 1/2014 Pavitsich ..... D14/205
- D697,495 S \* 1/2014 Lian ..... D14/205
- 8,755,555 B2 \* 6/2014 Dougherty ..... H04R 1/1066  
381/370
- D713,374 S \* 9/2014 Farrage ..... D14/205
- D722,998 S \* 2/2015 Sancho ..... D14/205

(Continued)

*Primary Examiner* — Paula Allen Greene

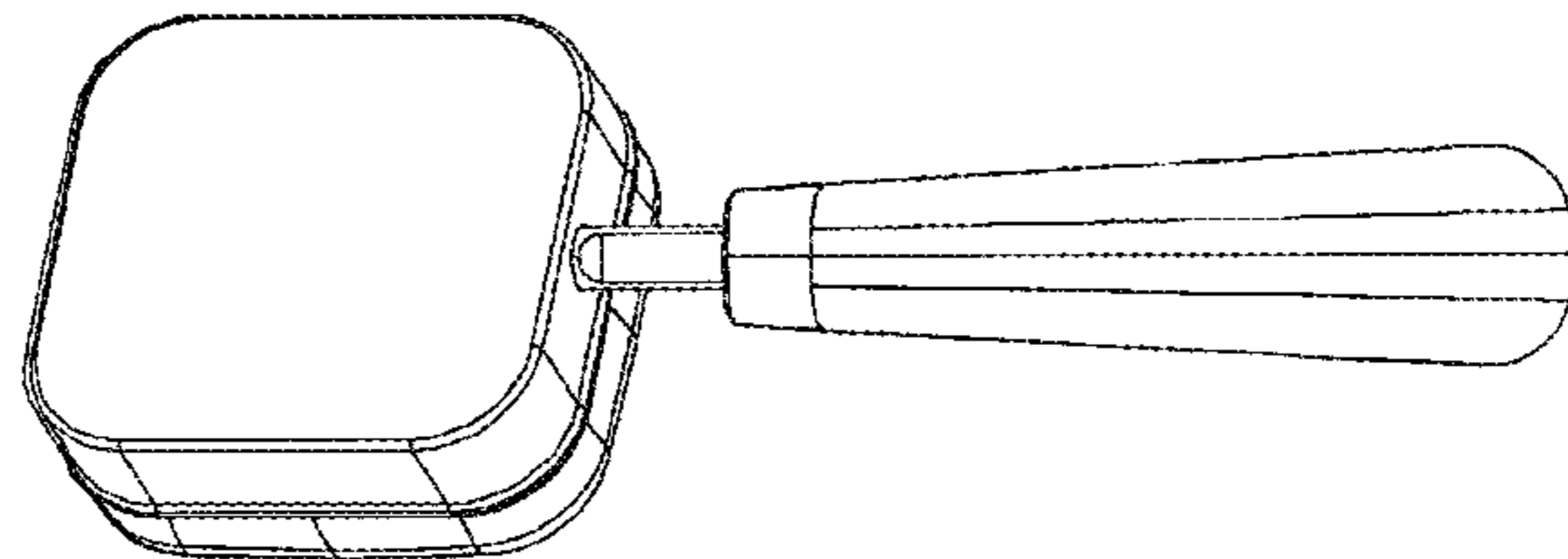
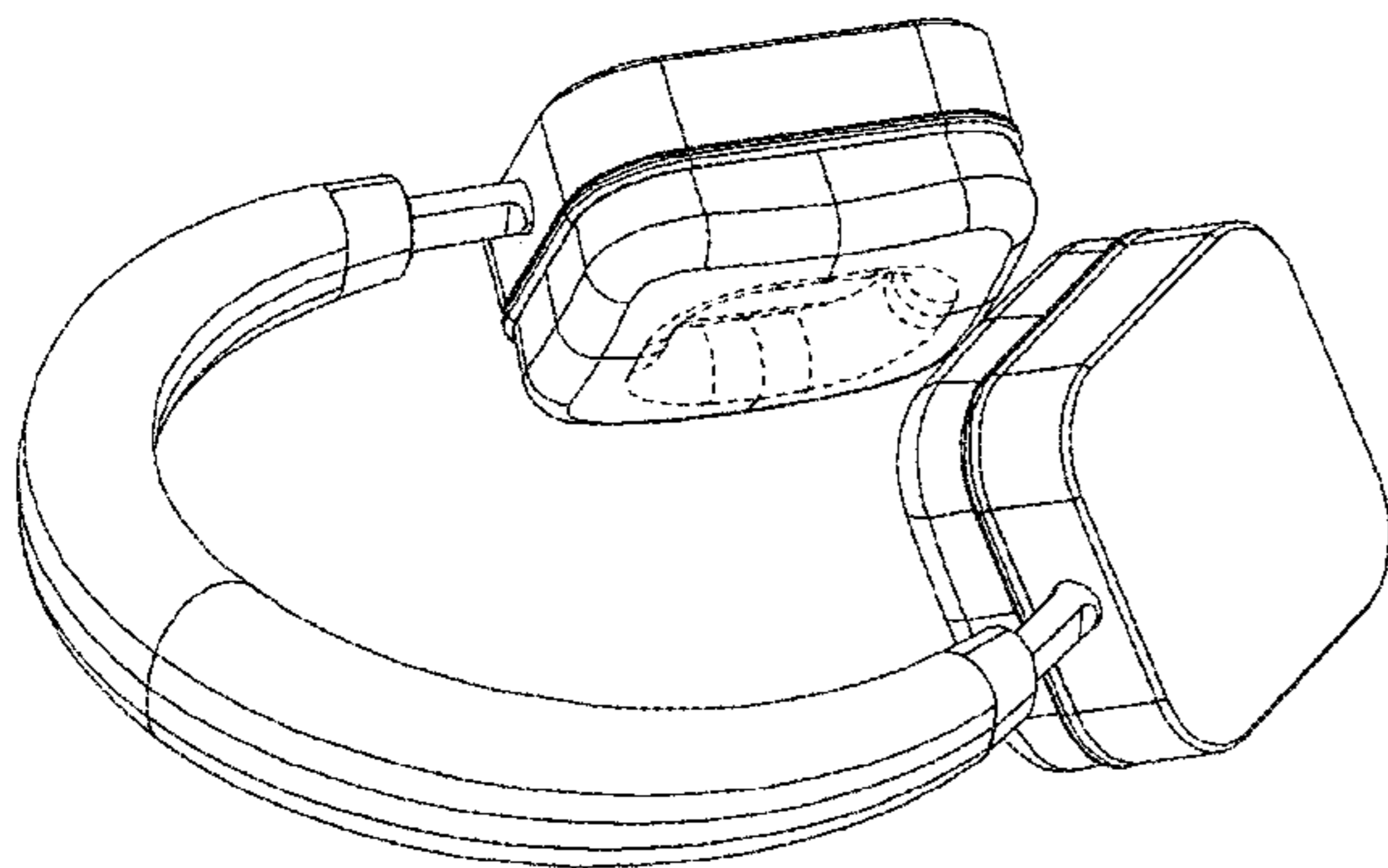
(57) **CLAIM**

The ornamental design for a headphone, as shown and described.

**DESCRIPTION**

FIG. 1 is a perspective view of a headphone showing my new design;  
 FIG. 2 is a front elevational view thereof;  
 FIG. 3 is a rear elevational view thereof;  
 FIG. 4 is a right side view thereof;  
 FIG. 5 is a left side view thereof;  
 FIG. 6 is a bottom plan view thereof; and,  
 FIG. 7 is a top plan view thereof.  
 The broken lines depict environment that forms no part of the claimed design.

**1 Claim, 5 Drawing Sheets**



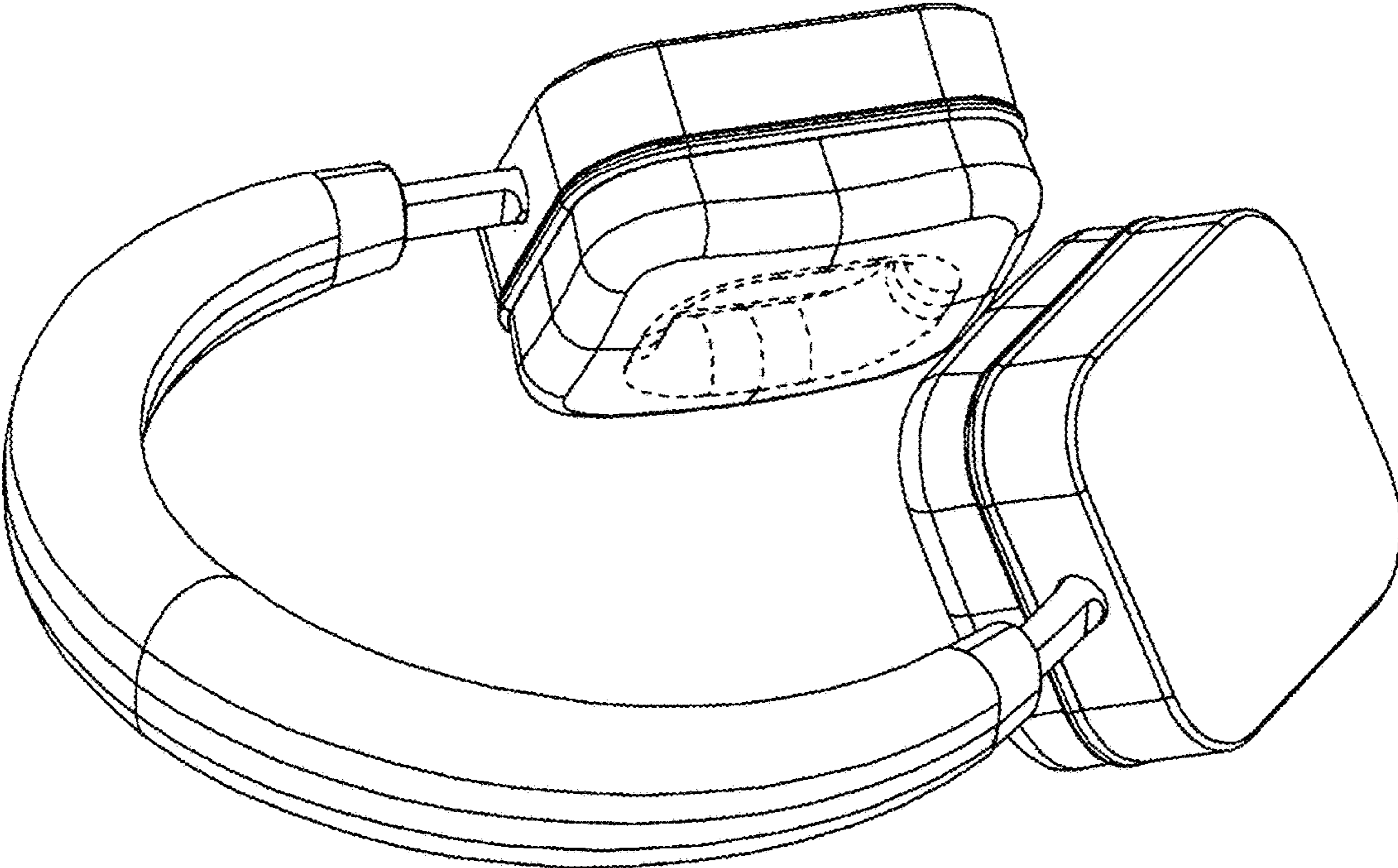
(56)

**References Cited**

U.S. PATENT DOCUMENTS

D724,561 S *	3/2015	Ko .....	D14/205
D743,369 S *	11/2015	Mackiewicz .....	D14/205
D763,226 S *	8/2016	Petersen .....	D14/205
D787,470 S *	5/2017	Kelly .....	D14/205
D796,477 S *	9/2017	Minn .....	D14/205
D796,478 S *	9/2017	Minn .....	D14/205
2013/0087404 A1 *	4/2013	Peskar .....	A61F 11/14 181/129
2016/0182990 A1 *	6/2016	Yamamoto .....	H04R 1/10 381/379
2016/0198250 A1 *	7/2016	Pan .....	H04R 1/1041 381/74

\* cited by examiner



**FIG.1**

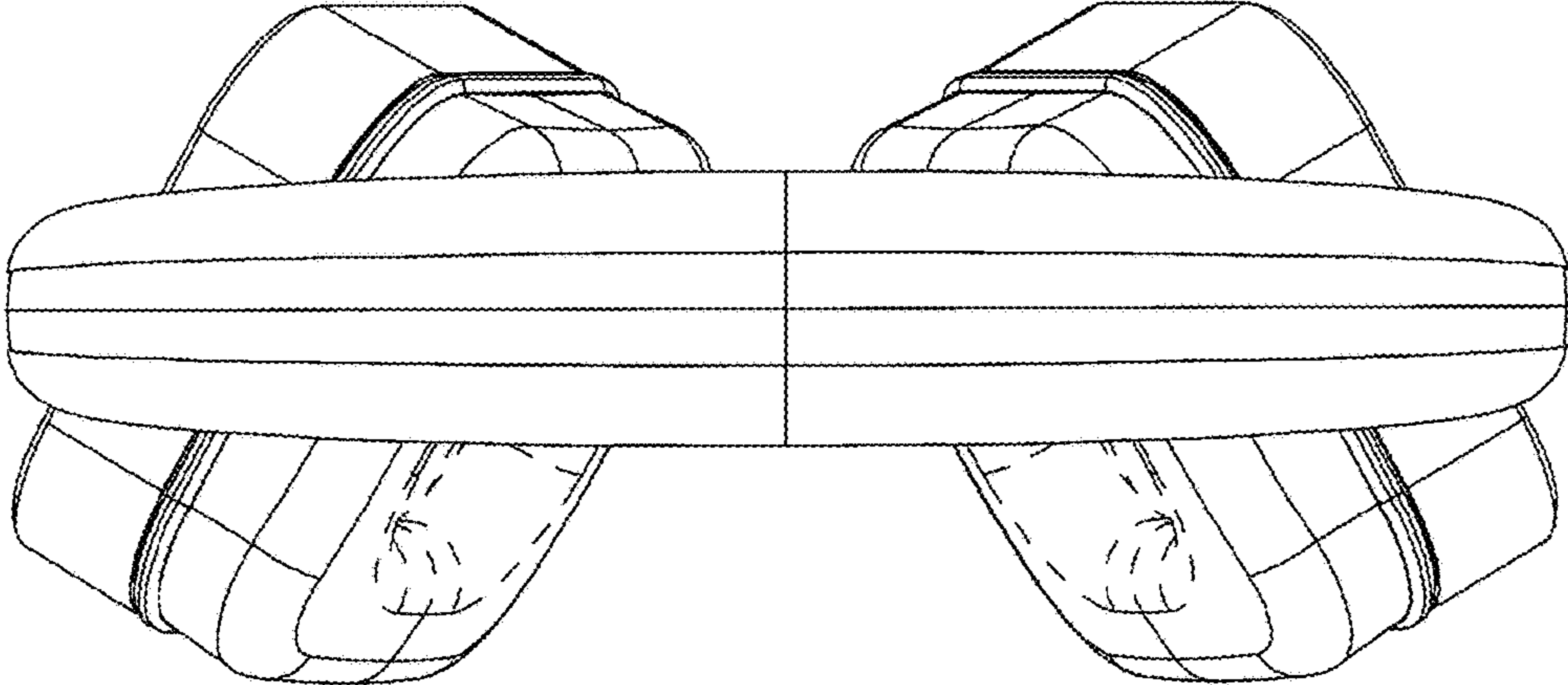


FIG. 2

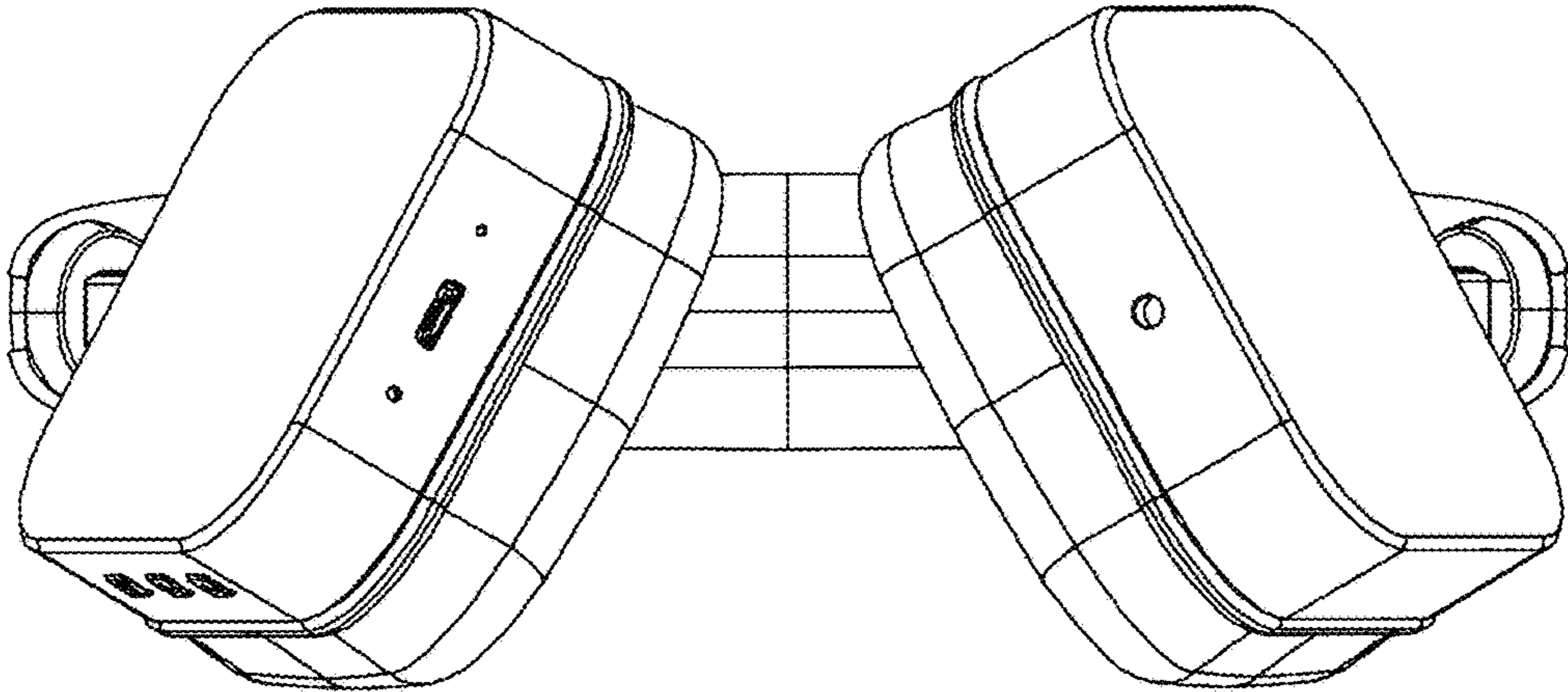


FIG. 3

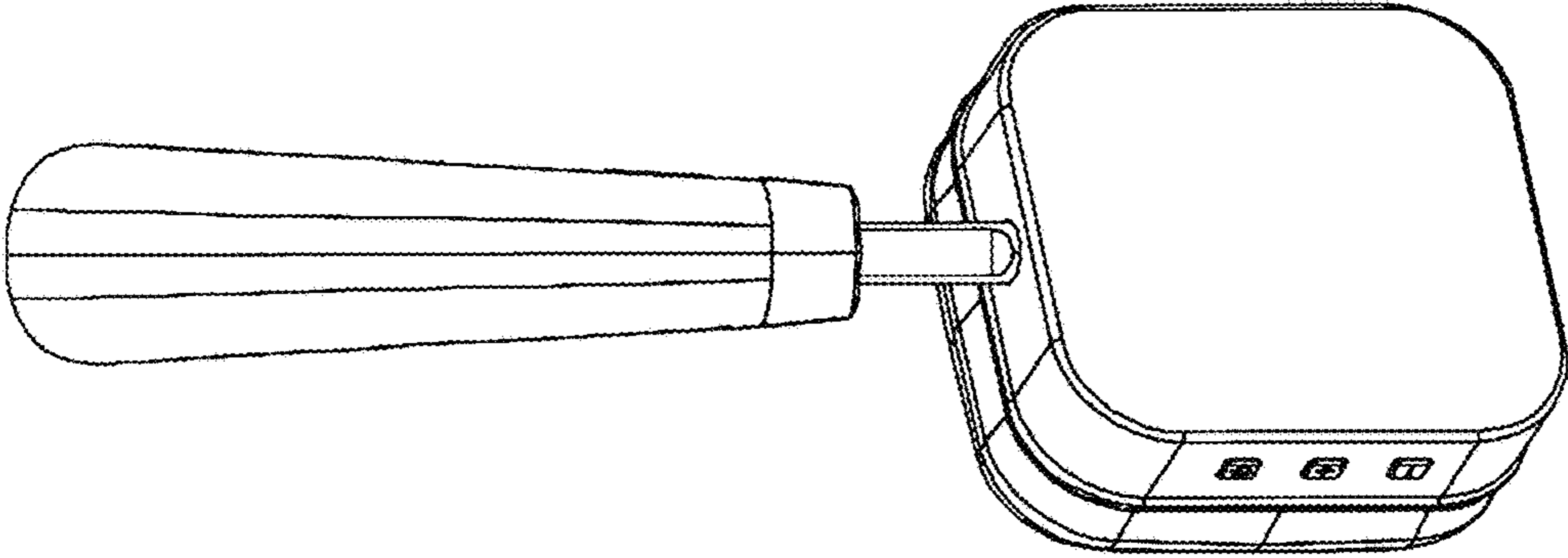


FIG. 4

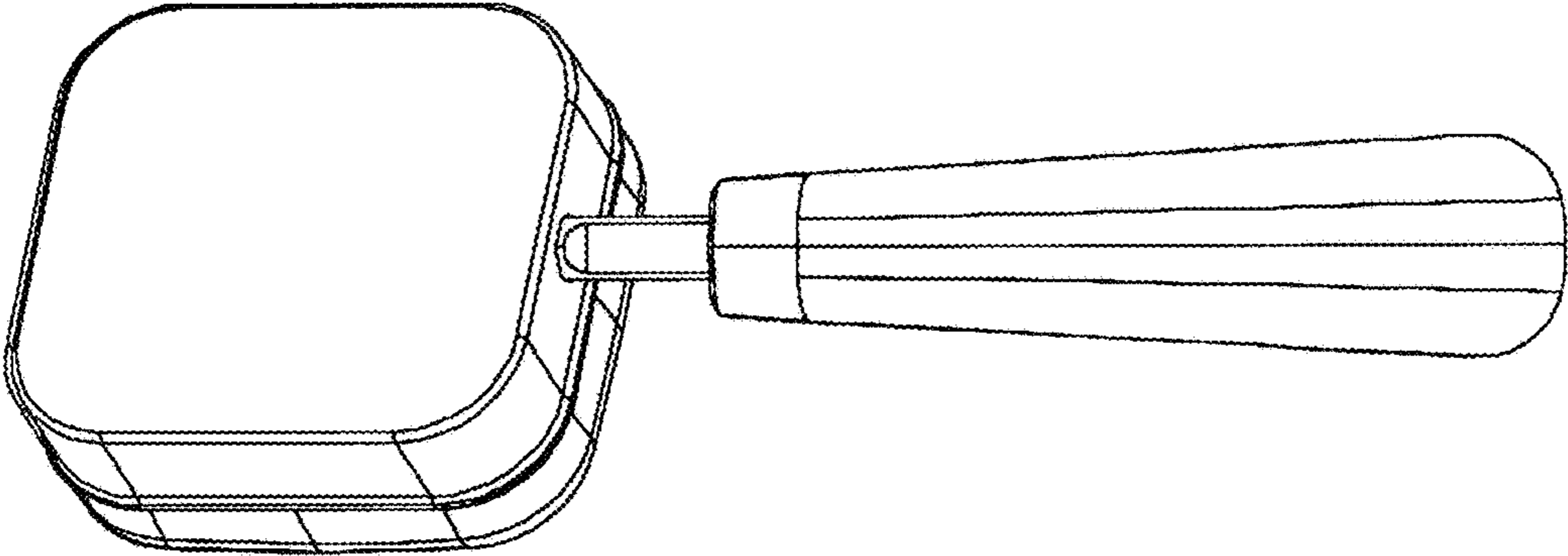


FIG. 5

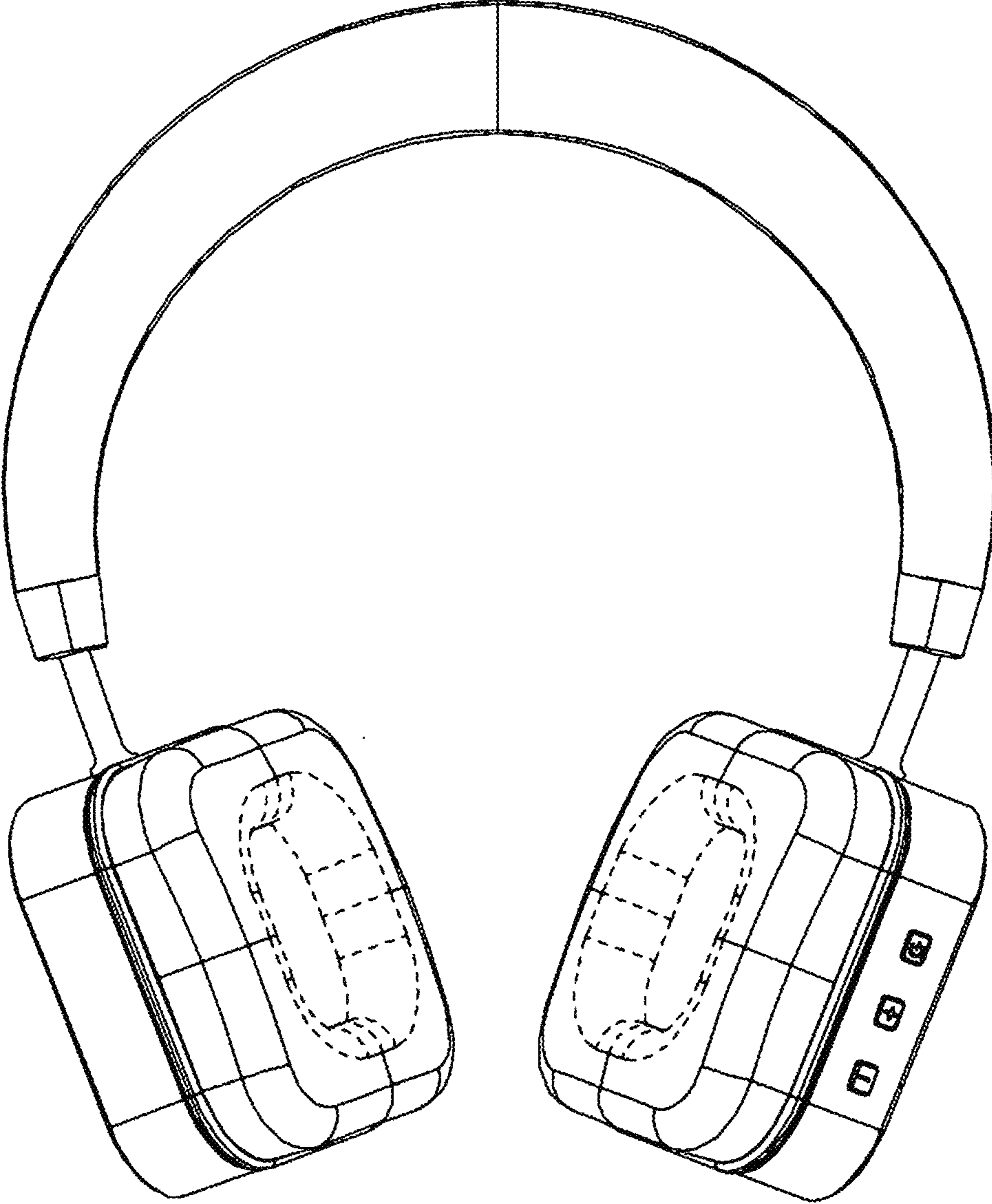
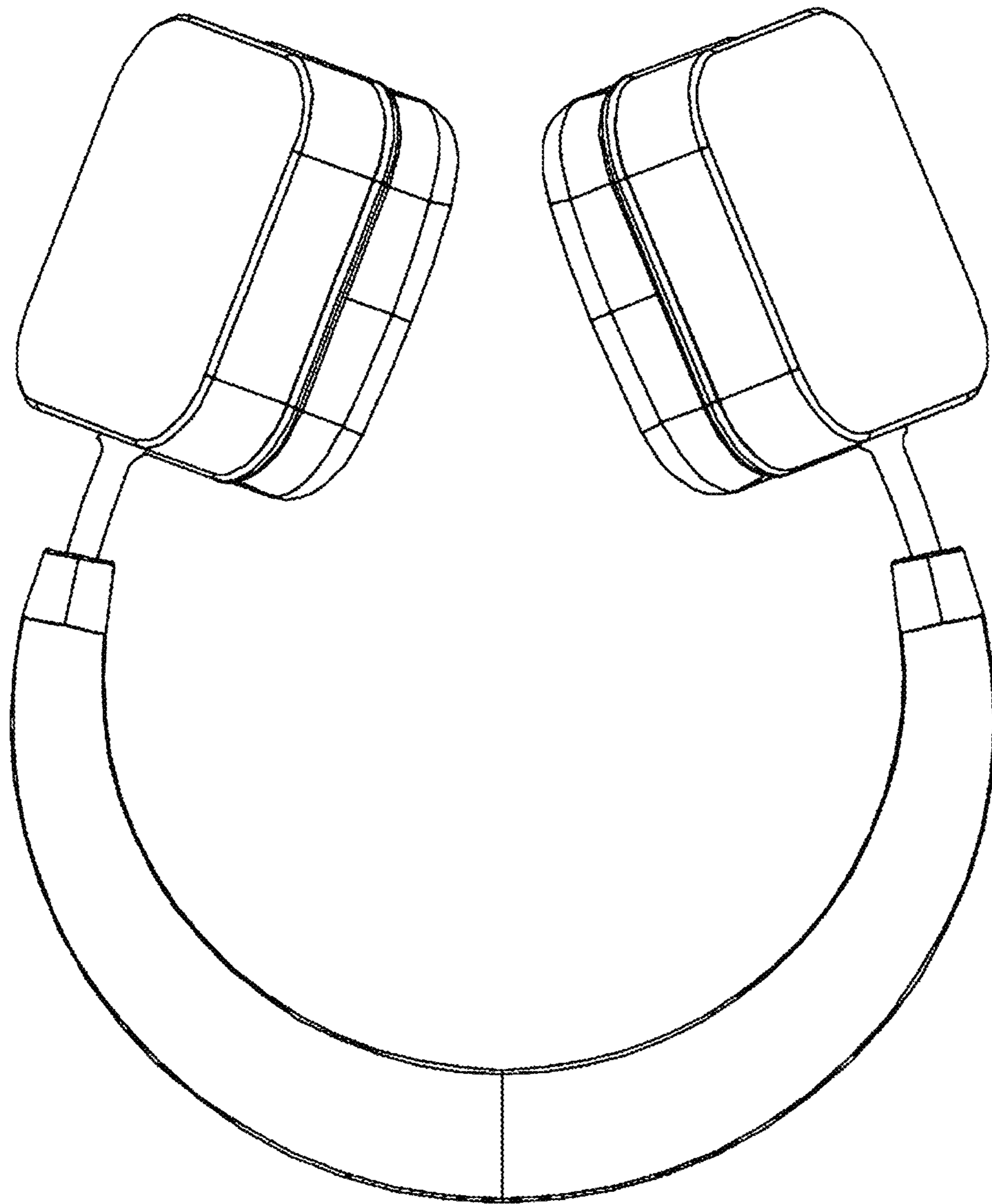


FIG.6



**FIG.7**