



US00D826891S

(12) **United States Design Patent** (10) **Patent No.:** **US D826,891 S**  
**Kim et al.** (45) **Date of Patent:** **\*\* Aug. 28, 2018**

(54) **SOUND BAR**

- D578,997 S \* 10/2008 Takuma ..... D14/172
- D672,749 S \* 12/2012 Onoue ..... D14/214
- D706,748 S \* 6/2014 Hara ..... D14/214
- D714,763 S \* 10/2014 Woo ..... D14/209.1
- D716,265 S \* 10/2014 Park ..... D14/215
- D759,624 S \* 6/2016 Byrd ..... D14/204
- D759,629 S \* 6/2016 Kusano ..... D14/214
- D760,685 S \* 7/2016 Sugiura ..... D14/204
- D765,054 S \* 8/2016 Bast ..... D14/204
- D782,444 S \* 3/2017 Koo ..... D14/214
- D800,690 S \* 10/2017 Groves, Jr. .... D14/204

- (71) Applicant: **LG ELECTRONICS INC.**, Seoul (KR)
- (72) Inventors: **Hyeongyeol Kim**, Seoul (KR); **Gangho Woo**, Seoul (KR)
- (73) Assignee: **LG ELECTRONICS INC.**, Seoul (KR)

(\*\*) Term: **15 Years**

\* cited by examiner

(21) Appl. No.: **35/503,709**

*Primary Examiner* — Michael A. Pratt

(22) Filed: **Mar. 27, 2017**

(74) *Attorney, Agent, or Firm* — Birch, Stewart, Kolasch & Birch, LLP

(80) **Hague Agreement Data**

- Int. Filing Date: **Mar. 27, 2017**
- Int. Reg. No.: **DM/095924**
- Int. Reg. Date: **Mar. 27, 2017**
- Int. Reg. Pub. Date: **Sep. 29, 2017**

(57) **CLAIM**

The ornamental design for a sound bar, as shown and described.

(30) **Foreign Application Priority Data**

Sep. 29, 2016 (KR) ..... 30-2016-0046997

**DESCRIPTION**

- (51) **LOC (11) Cl.** ..... **14-01**
- (52) **U.S. Cl.** ..... **D14/204**
- (58) **Field of Classification Search**
- None
- See application file for complete search history.

1. Sound bar
- 1.1 : Perspective
- 1.2 : Front
- 1.3 : Back
- 1.4 : Left
- 1.5 : Right
- 1.6 : Top
- 1.7 : Bottom

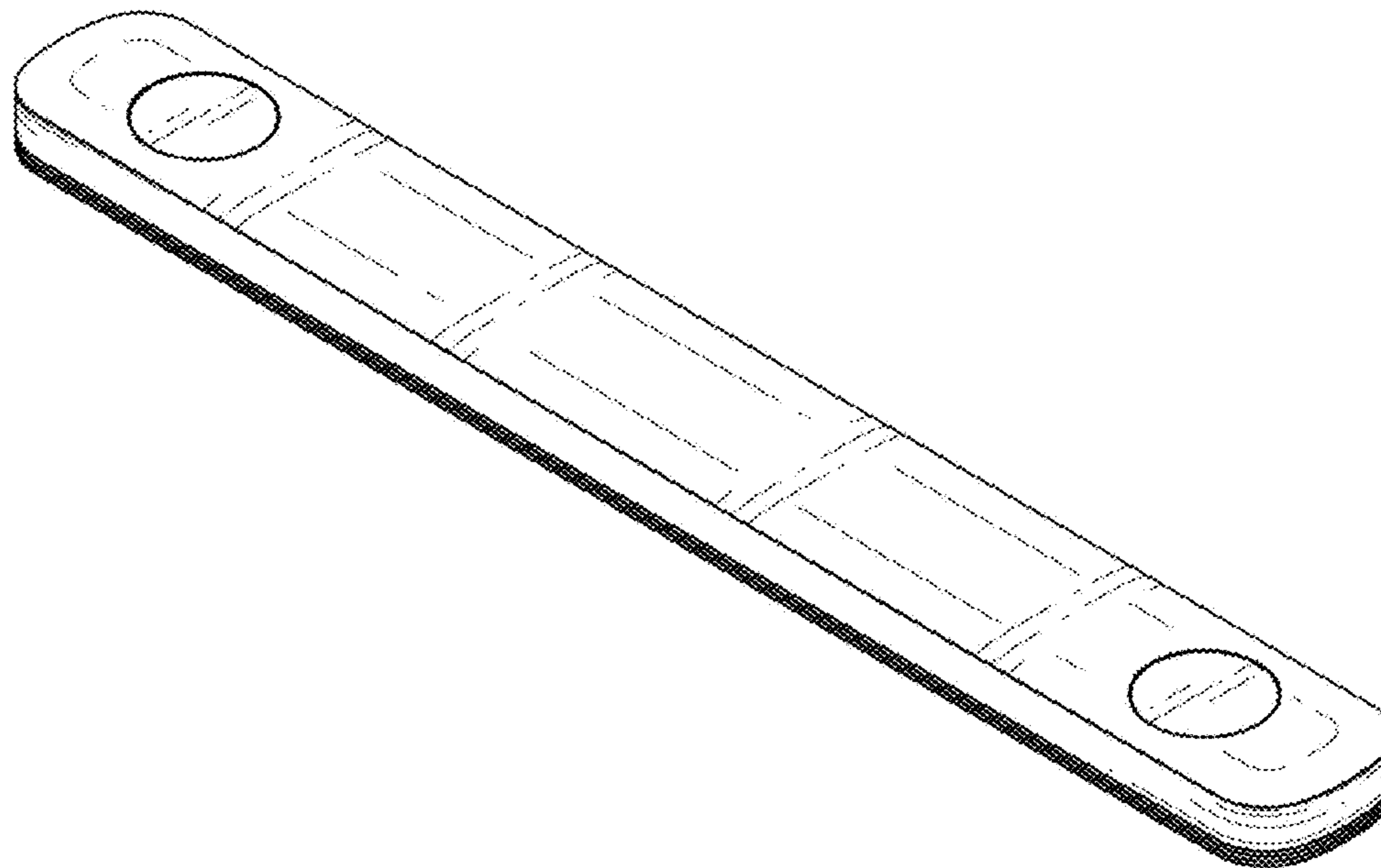
The present ornamental design is a combination of the shape and pattern of a “sound bar” as shown and described.

(56) **References Cited**

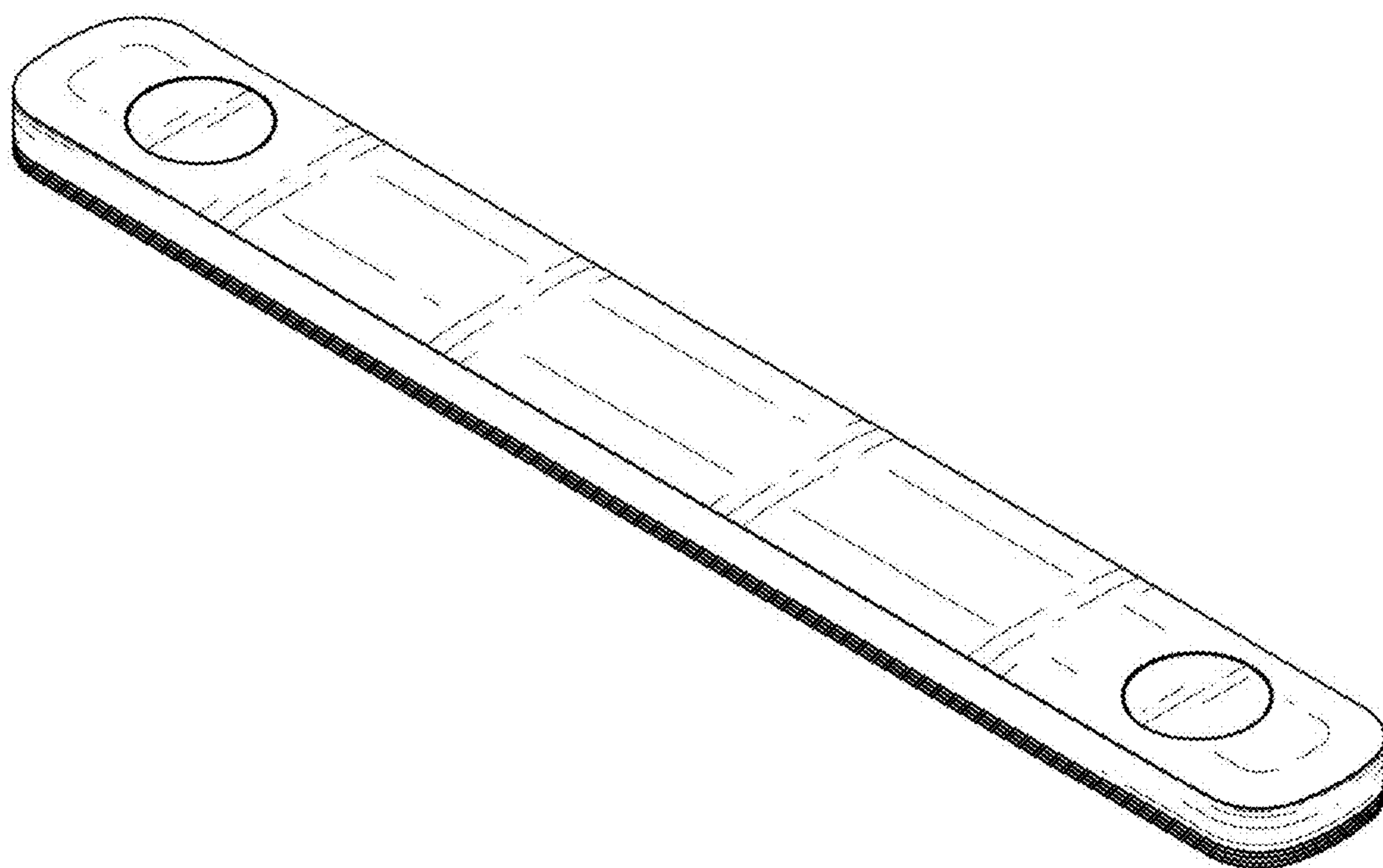
U.S. PATENT DOCUMENTS

- D483,349 S \* 12/2003 Murakami ..... D14/215
- D578,109 S \* 10/2008 Han ..... D14/215

**1 Claim, 7 Drawing Sheets**



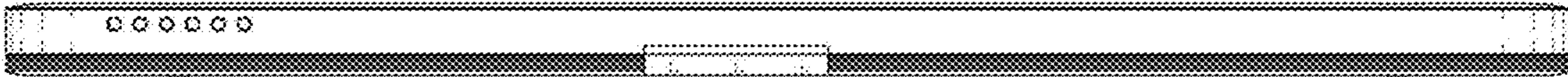
1.1



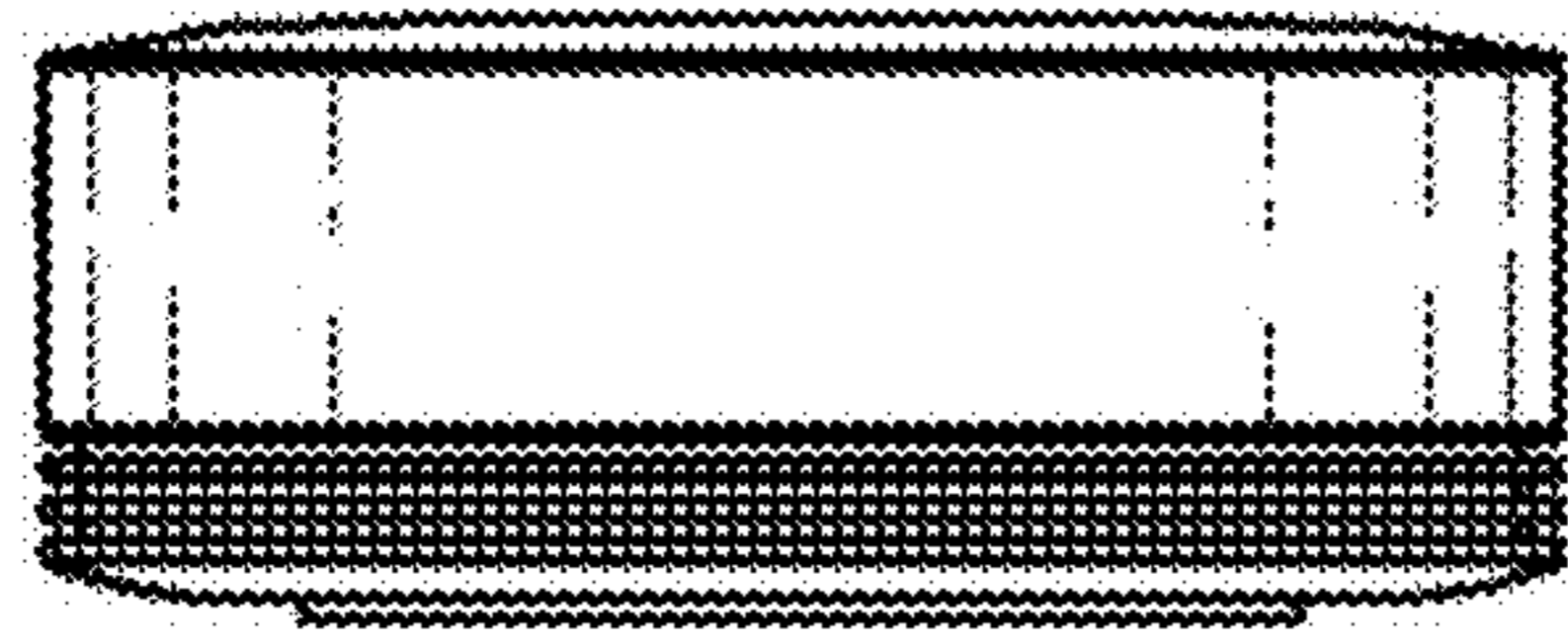
1.2



1.3



1.4



1.5



1.6



**1.7**

