



US00D826887S

(12) **United States Design Patent** (10) **Patent No.:** **US D826,887 S**
Kymm et al. (45) **Date of Patent:** **** Aug. 28, 2018**

(54) **TV RECEIVER**

H04N 5/64; H05K 5/0017; H05K 5/0204;
H05K 5/0217

(71) Applicant: **LG ELECTRONICS INC.**, Seoul
(KR)

See application file for complete search history.

(72) Inventors: **Sangwook Kymm**, Seoul (KR); **Misun Park**, Seoul (KR); **Jeonga Shin**, Seoul (KR); **Kyongtae Han**, Seoul (KR); **Seongyeong Park**, Seoul (KR); **Hiroshi Fujita**, Seoul (KR)

(56) **References Cited**

U.S. PATENT DOCUMENTS

D294,701 S * 3/1988 Horii D14/126
D455,131 S * 4/2002 Reynaga D14/126
D545,776 S * 7/2007 Kwon D14/126
D624,894 S * 10/2010 Kasuga D14/126
D624,895 S * 10/2010 Kasuga D14/126

(Continued)

(73) Assignee: **LG ELECTRONICS INC.**, Seoul
(KR)

OTHER PUBLICATIONS

(**) Term: **15 Years**

B-Tech Medium Floor Stand, posted at theplasmacentre, review posting date Jan. 20, 2010. [online] [site visited May 10, 2018]. Available from Internet. <URL: <https://www.theplasmacentre.com/tv-stands-and-av-racks/tv-stands/bt4001-1-1m.html>> (Year: 2010).*

(21) Appl. No.: **35/503,352**

(Continued)

(22) Filed: **Jan. 13, 2017**

(80) **Hague Agreement Data**

Int. Filing Date: **Jan. 13, 2017**

Int. Reg. No.: **DM/095242**

Int. Reg. Date: **Jan. 13, 2017**

Int. Reg. Pub. Date: **Jul. 14, 2017**

Primary Examiner — George D Kirschbaum

Assistant Examiner — Kathleen Leigh Jones

(74) *Attorney, Agent, or Firm* — Birch, Stewart, Kolasch & Birch, LLP

(57) **CLAIM**

The ornamental design for a TV receiver, as shown and described.

(30) **Foreign Application Priority Data**

Jul. 18, 2016 (KR) 30-2016-0034942

(51) **LOC (11) Cl.** **14-03**

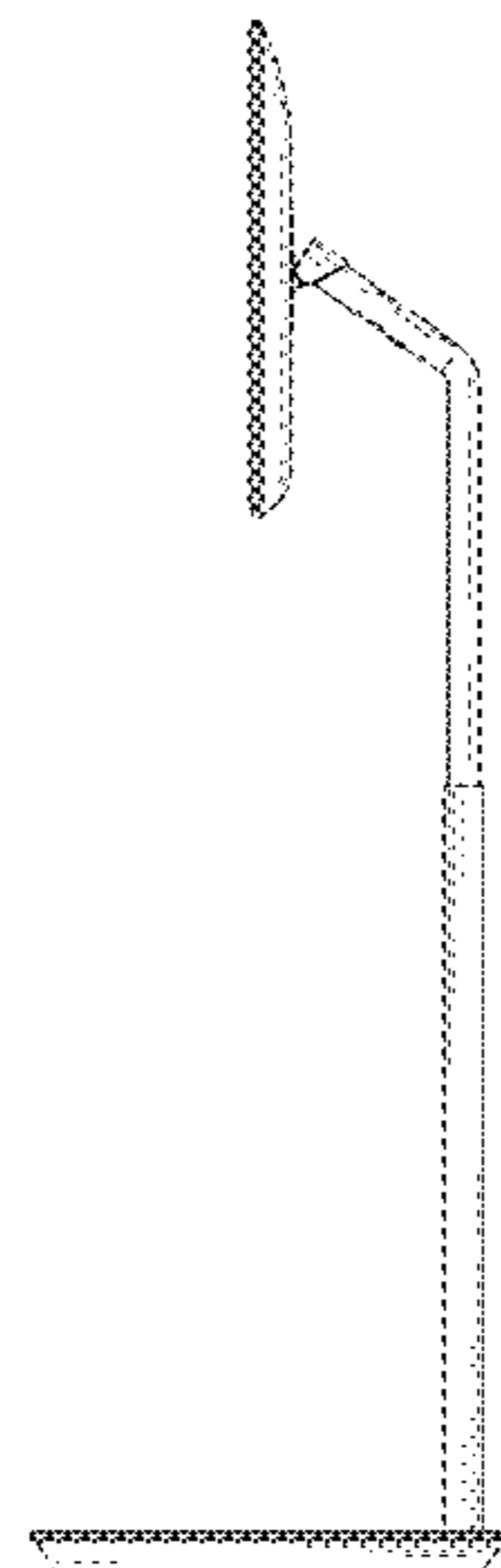
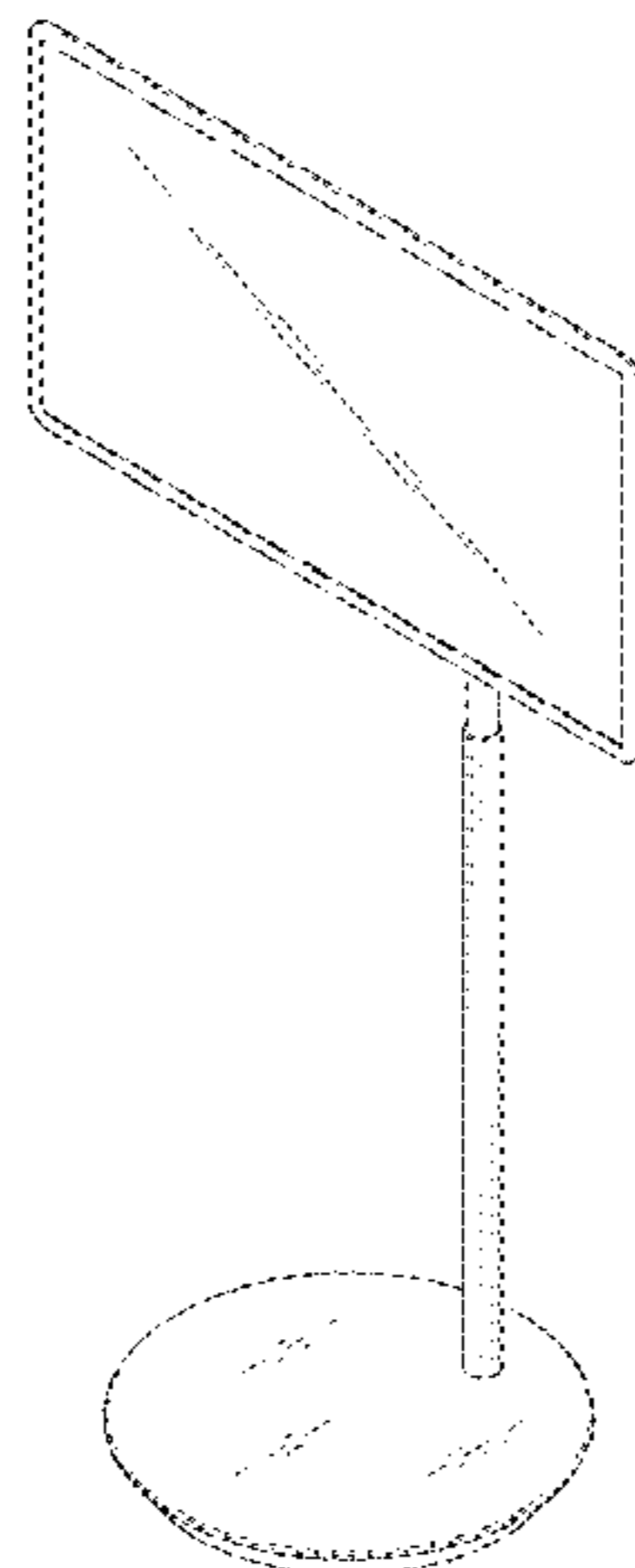
(52) **U.S. Cl.**
USPC **D14/126**

(58) **Field of Classification Search**
USPC D14/125-134, 239, 336, 371, 373-377,
D14/379-380, 382, 447, 448, 450, 451,
D14/452; D21/329, 332, 515; D10/26
CPC G06F 1/16; G06F 1/1601; G06F 1/1637;

DESCRIPTION

- 1. TV receiver
- 1.1 : Perspective
- 1.2 : Front
- 1.3 : Back
- 1.4 : Left
- 1.5 : Right
- 1.6 : Top
- 1.7 : Bottom
- 1.8 : Reference
- 1.9 : Reference

(Continued)



Reproductions 1.8 and 1.9 are reference views showing the state of rotating or tilting display panel.

The broken lines showing the outlets on the back of the TV receiver are for the purpose of illustrating portions of the article and form no part of the claimed design.

1 Claim, 9 Drawing Sheets

(56)

References Cited

U.S. PATENT DOCUMENTS

D635,942 S	*	4/2011	Kim	D14/126
D671,083 S	*	11/2012	Kim	D14/126
D682,271 S	*	5/2013	Kim	D14/374
D682,797 S	*	5/2013	Lee	D14/126
D704,709 S	*	5/2014	Bussoli	D14/128
D739,464 S	*	9/2015	Liu	D14/371
D762,213 S	*	7/2016	Won	D14/374
D763,259 S	*	8/2016	Lee	D14/375
D795,266 S	*	8/2017	Williams	D14/447
D797,737 S	*	9/2017	Won	D14/374
D799,483 S	*	10/2017	Won	D14/376
D805,492 S	*	12/2017	Ahn	D14/126

D806,069 S	*	12/2017	Peng	D14/336
D807,847 S	*	1/2018	Ahn	D14/126
D812,580 S	*	3/2018	Won	D14/126

OTHER PUBLICATIONS

JP-D1448605, posted at Orbit, publication date Aug. 13, 2012. [online] [site visited May 10, 2018]. Available from Internet. (Year: 2012).*

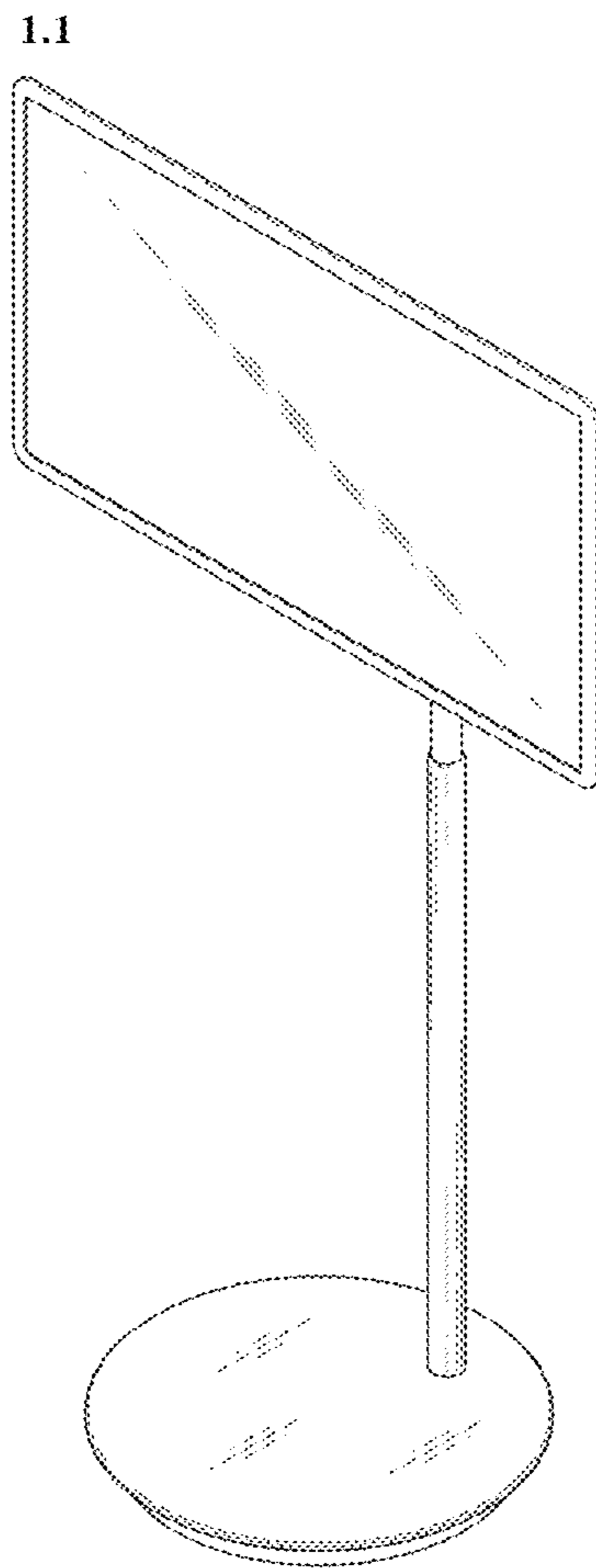
Chan, Vernon, Bang & Olufsen BeoVision Avant 85, posted at Vernon Chan, posting date Nov. 16, 2014. [online] [site visited May 10, 2018]. Available from Internet. <URL: <https://vernonchan.com/bang-olufsen-beovision-avant-85-cinema-living-room/>> (Year: 2014).*

iPad Anti-Theft Lockable Floor Stand, posted at Forest Av, posting date not available. [online] [site visited May 10, 2018]. Available from Internet. <URL: <https://www.forest-av.com/product/ipad-anti-theft-lockable-floor-stand-white/>>.*

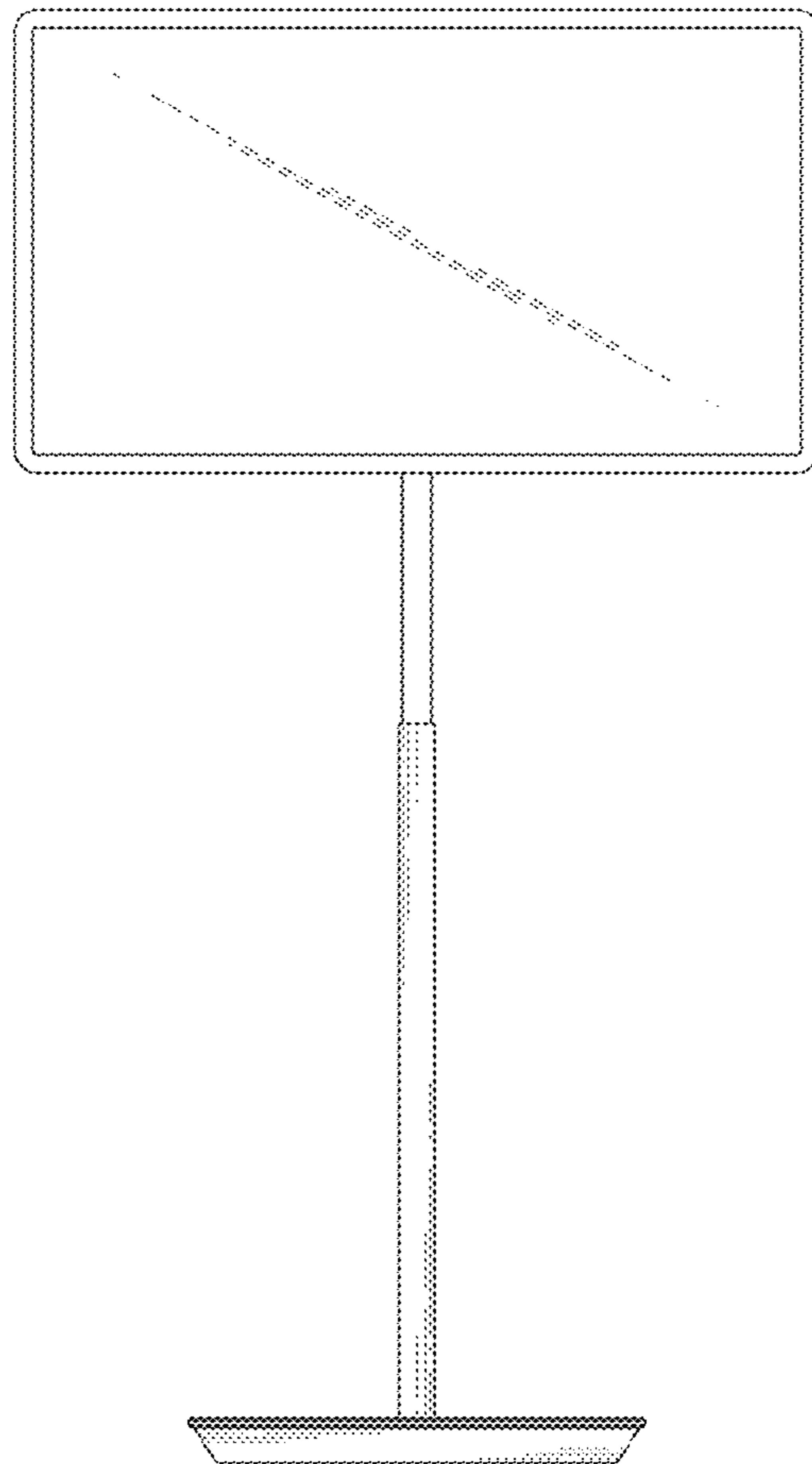
Rotating Television Stand, posted at Best Home Design Ideas, posting date May 26, 2014. [online] [site visited May 10, 2018]. Available from Internet. <URL: <https://bestdesigngue.wordpress.com/2014/05/26/rotating-television-stand/>> (Year: 2014).*

Shell+ 12 Secure Tablet Enclosure Kiosk, posted at image holders, posting date Apr. 25, 2018. [online] [site visited May 10, 2018]. Available from Internet. <URL: https://www.imageholders.com/017_12_120-with-secure-tablet-enclosure-kiosk/> (Year: 2018).*

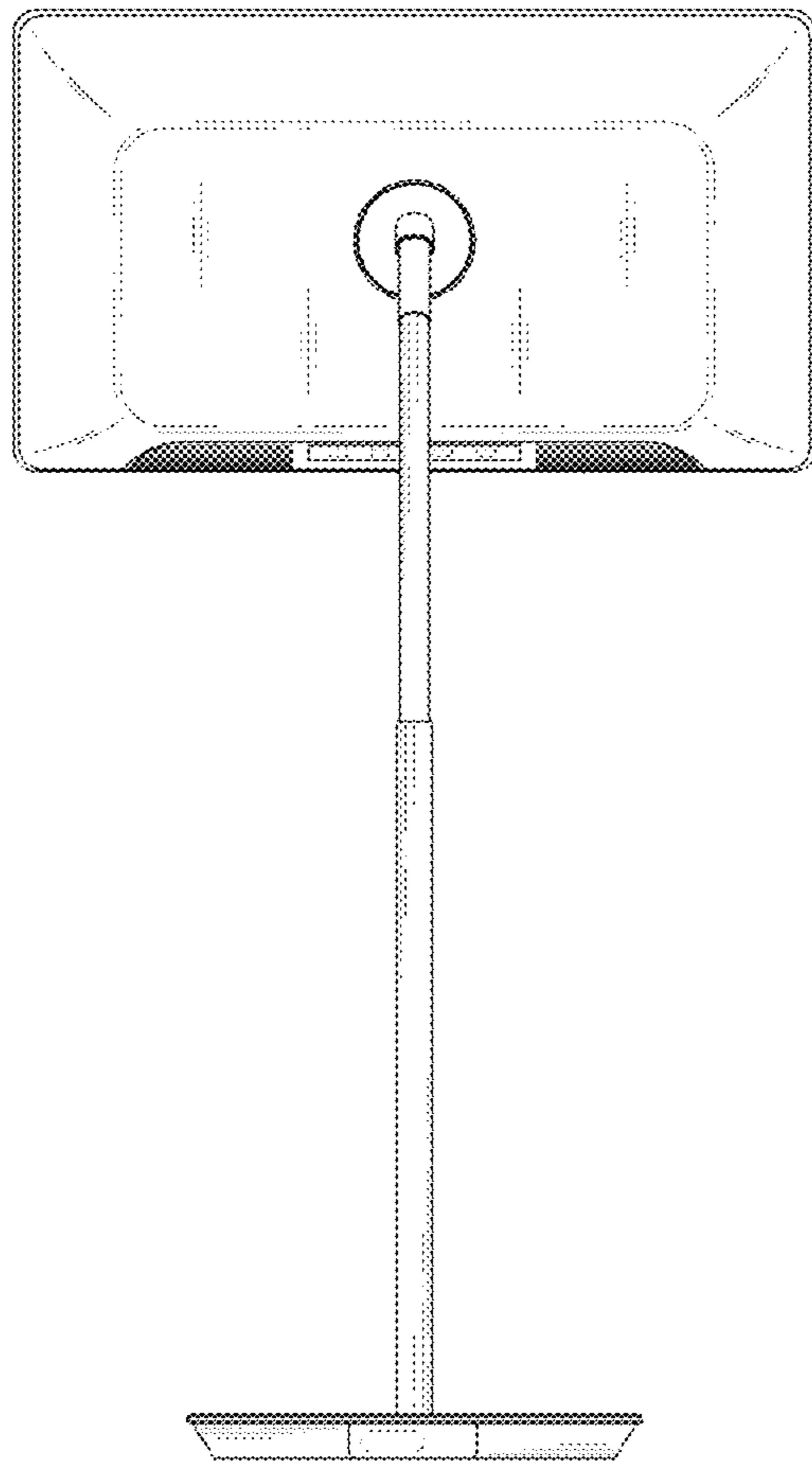
* cited by examiner



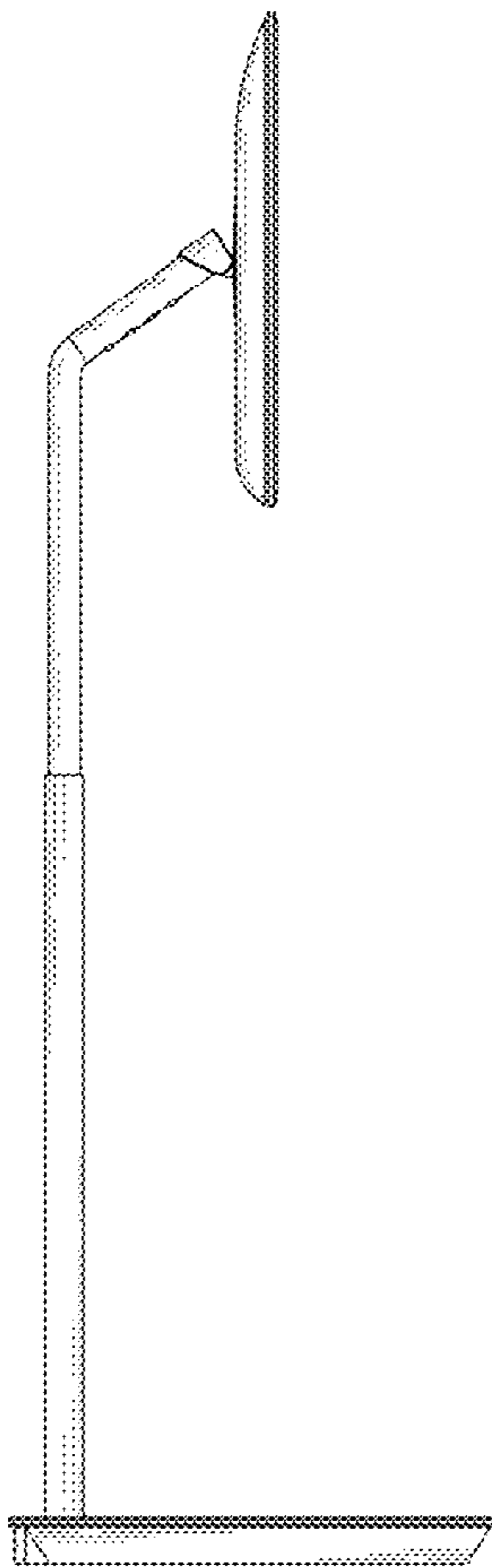
1.2



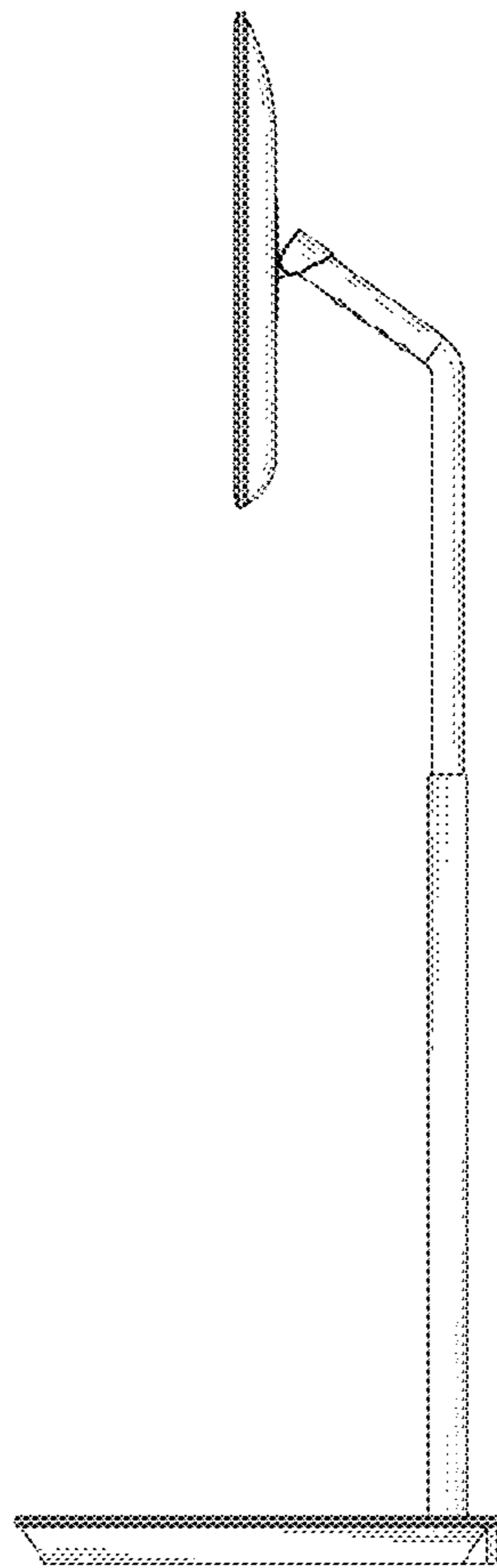
1.3



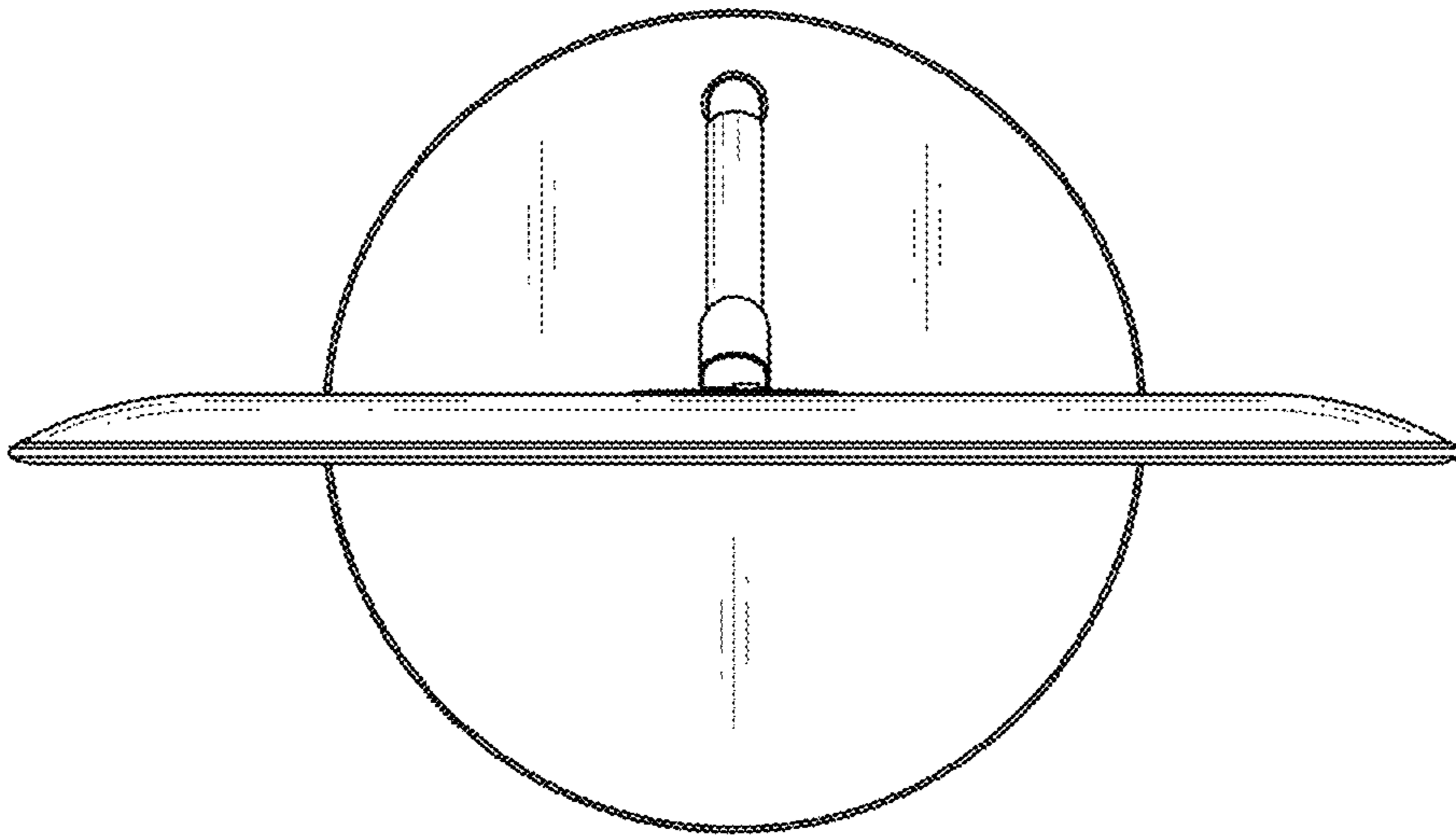
1.4



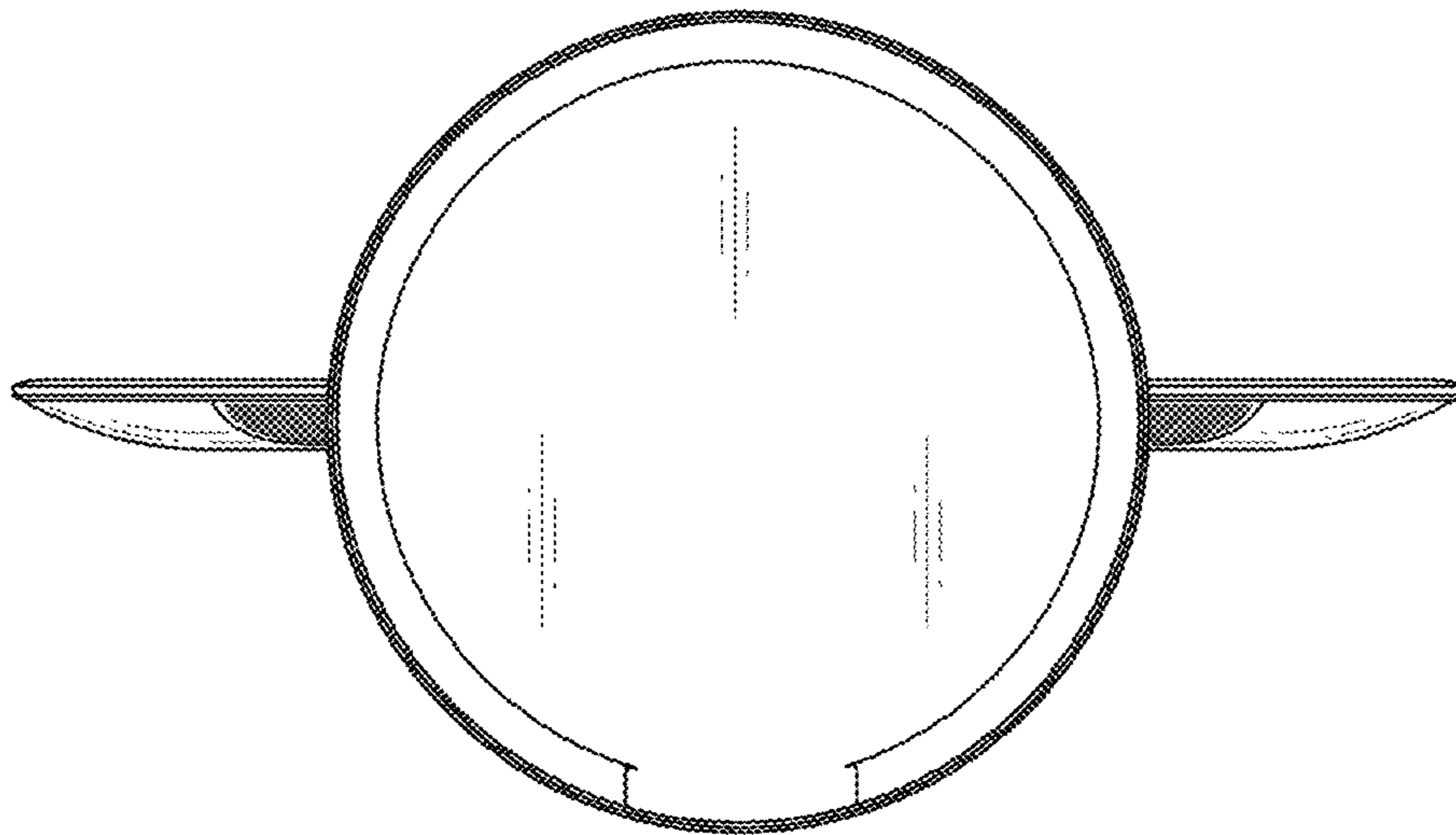
1.5



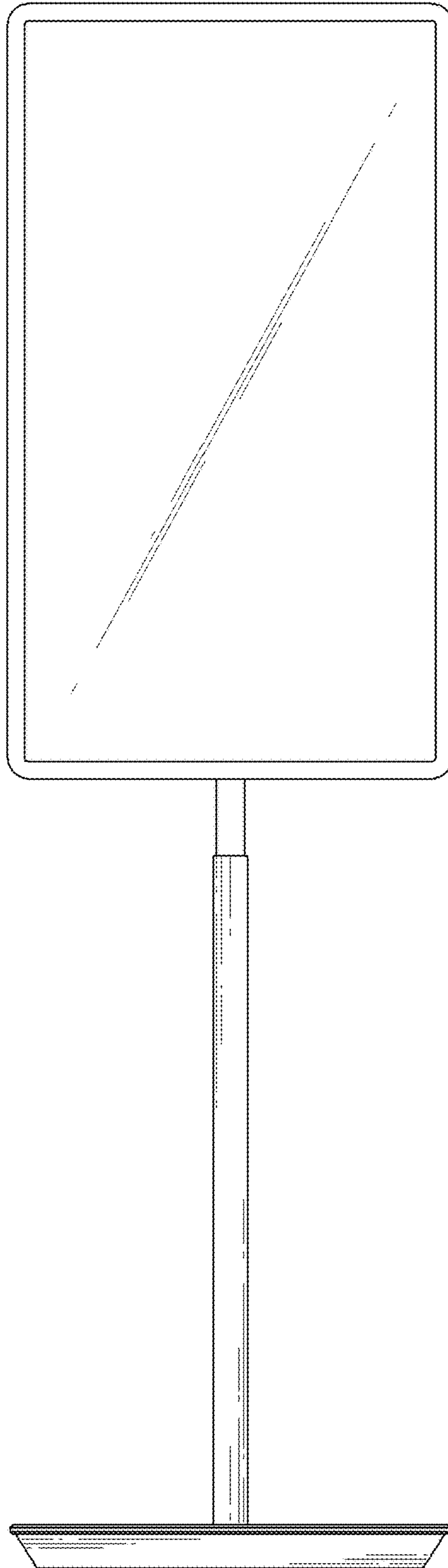
1.6



1.7



1.8



1.9

