

US00D826886S

(12) **United States Design Patent**
Cha et al.

(10) **Patent No.:** **US D826,886 S**

(45) **Date of Patent:** **** Aug. 28, 2018**

(54) **TV RECEIVER**

(56) **References Cited**

(71) Applicant: **LG ELECTRONICS INC.**, Seoul (KR)

U.S. PATENT DOCUMENTS

(72) Inventors: **Hyunbyung Cha**, Seoul (KR);
Yoonkyeong Lee, Seoul (KR);
Youngwon Jeong, Seoul (KR);
Byungmu Huh, Seoul (KR)

D563,336 S *	3/2008	Shih	D14/126
D612,820 S *	3/2010	Jeong	D14/126
D667,806 S *	9/2012	Asanuma	D14/126
D676,006 S *	2/2013	Choi	D14/126
D677,637 S *	3/2013	Kubota	D14/126
D682,798 S *	5/2013	Lee	D14/126
D689,454 S *	9/2013	Shih	D14/126

(Continued)

(73) Assignee: **LG ELECTRONICS INC.**, Seoul (KR)

OTHER PUBLICATIONS

(**) Term: **15 Years**

Denison, Caleb, LG OLED55B6P 4K HDR OLED TV Review, posted at Digital Trends, posting date Nov. 29, 2016. [online] [site visited Apr. 13, 2018]. Available from Internet. <URL: <https://www.digitaltrends.com/tv-reviews/lg-oled55b6p-review/>> (Year: 2016).*

(Continued)

(21) Appl. No.: **35/502,960**

(22) Filed: **Nov. 8, 2016**

Primary Examiner — George D Kirschbaum

Assistant Examiner — Kathleen L Jones

(80) **Hague Agreement Data**

Int. Filing Date: **Nov. 8, 2016**

Int. Reg. No.: **DM/093426**

Int. Reg. Date: **Nov. 8, 2016**

Int. Reg. Pub. Date: **May 12, 2017**

(74) *Attorney, Agent, or Firm* — Birch, Stewart, Kolasch & Birch, LLP

(57) **CLAIM**

The ornamental design for a TV receiver, as shown and described.

(30) **Foreign Application Priority Data**

May 13, 2016 (KR) 30-2016-0022894

(51) **LOC (11) Cl.** **14-03**

(52) **U.S. Cl.**
USPC **D14/126**

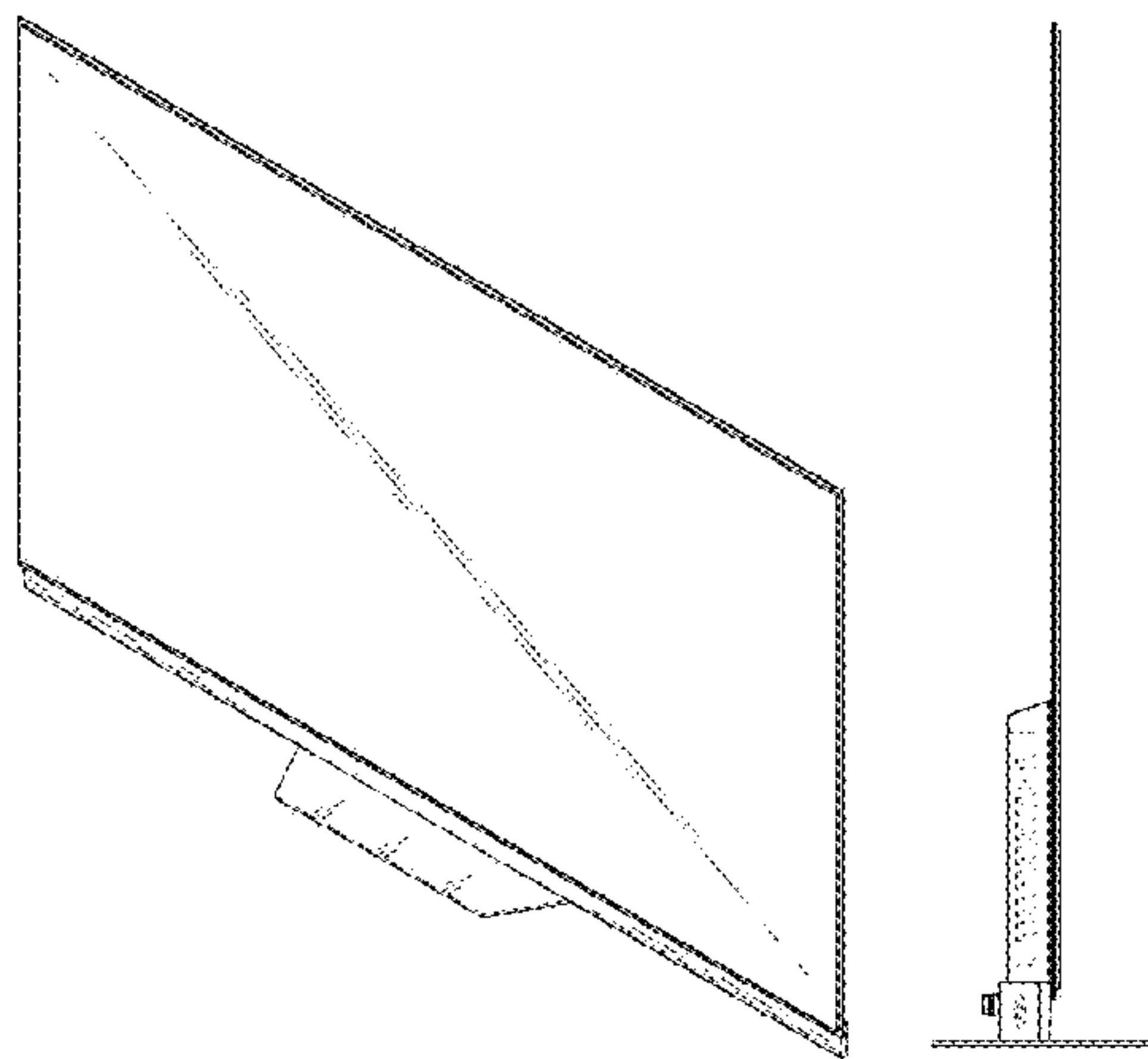
(58) **Field of Classification Search**
USPC D14/125-134, 239, 336, 371, 373-377,
D14/379-380, 382, 447, 448, 450, 451,
D14/452; D21/329, 332, 515; D10/26
CPC G06F 1/16; G06F 1/1601; G06F 1/1637;
H04N 5/64; H05K 5/0017; H05K 5/0204;
H05K 5/0217

See application file for complete search history.

DESCRIPTION

- 1. TV receiver
- 1.1 : Perspective
- 1.2 : Front
- 1.3 : Back
- 1.4 : Left
- 1.5 : Right
- 1.6 : Top
- 1.7 : Bottom
- 1.8 : Enlarged

(Continued)



1.9 : Enlarged

The broken lines showing the panels, outlets, vent and circular button feature on the back of the TV receiver are for the purpose of illustrating portions of the article and form no part of the claimed design.

1 Claim, 9 Drawing Sheets

(56)

References Cited

U.S. PATENT DOCUMENTS

D694,726 S	*	12/2013	Yamaguchi	D14/126
D703,167 S	*	4/2014	McManigal	D14/126
D715,753 S	*	10/2014	Jang	D14/126
D725,064 S	*	3/2015	Kim	D14/126
D754,087 S	*	4/2016	Ryu	D14/126
D755,140 S	*	5/2016	Kim	D14/126
D760,679 S	*	7/2016	Lee	D14/126
D760,718 S	*	7/2016	Wallace	D14/374
D769,207 S	*	10/2016	Won	D14/126
D775,094 S	*	12/2016	Kim	D14/126
D807,313 S	*	1/2018	Kim	D14/126
D814,465 S	*	4/2018	Kim	D14/374

OTHER PUBLICATIONS

Acrylic Sign Holder with Magnets, posted at Displays2Go, review date May 15, 2017. [online] [site visited Apr. 13, 2018]. Available from Internet. <URL: <https://www.displays2go.com/P-21732/Stand-Up-Picture-Frame-Closes-with-Magnets>> (Year: 2017).*

Hontoria, Noelia, 3 advantages of OLED TVs, posted at giztele, posting date Dec. 7, 2015. [online] [site visited Apr. 15, 2018]. Available from Internet. <URL: <https://www.giztele.com/3-ventajas-de-los-televisores-oled/>> (Year: 2015).*

Chong Seng, Ng, LG Signature G6 OLED TV review, posted at HardwareZone, posting date Dec. 11, 2016. [online] [site visited

Apr. 13, 2018]. Available from Internet. <URL: <https://www.hardwarezone.com.sg/review-lg-signature-g6-oled-tv-review-4k-hdr-tv-beat>> (Year: 2016).*

TV Stand vs Wall Unit, posted at Medium, posting date Nov. 28, 2016. [online] [site visited Apr. 13, 2018]. Available from Internet. <URL: <https://medium.com/@furniturenyc.net/tv-stand-vs-wall-unit-bcee02a90d6b>> (Year: 2016).*

55 Inch Tv Stand Dimensions, posted at Mwan, posting date Dec. 25, 2017. [online] [site visited Apr. 13, 2018]. Available from Internet. <URL: http://mwam.info/20171225080543_55-inch-tv-stand-dimensions/> (Year: 2017).*

Ali, LG's NEw 4K Oled and Super UHD TVs, posted at News Aged, posting date Jan. 8, 2018. [online] [site visited Apr. 13, 2018]. Available from Internet. <URL: <http://newsaged.com/lgs-new-4k-oled-and-super-uhd-tvs-add-google-assistant-alexa-and-an-even-better-picture/>> (Year: 2018).*

Hummelose, Jens, LG's 2018 OLED TV comes with HFR, posted at recordere, posting date Jan. 3, 2018. [online] [site visited Apr. 15, 2018]. Available from Internet. <URL: <http://www.recordere.dk/2018/01/lgs-2018-oled-tv-kommer-hfr-hurtigere-chipset/>> (Year: 2018).*

Jacobi, Jon, OLED vs LED, posted at TechHive, posting date Jan. 25, 2016. [online] [site visited Apr. 13, 2018]. Available from Internet. <URL: <https://www.techhive.com/article/3018446/smart-tv/oled-vs-led-theres-just-no-comparison.html>> (Year: 2016).*

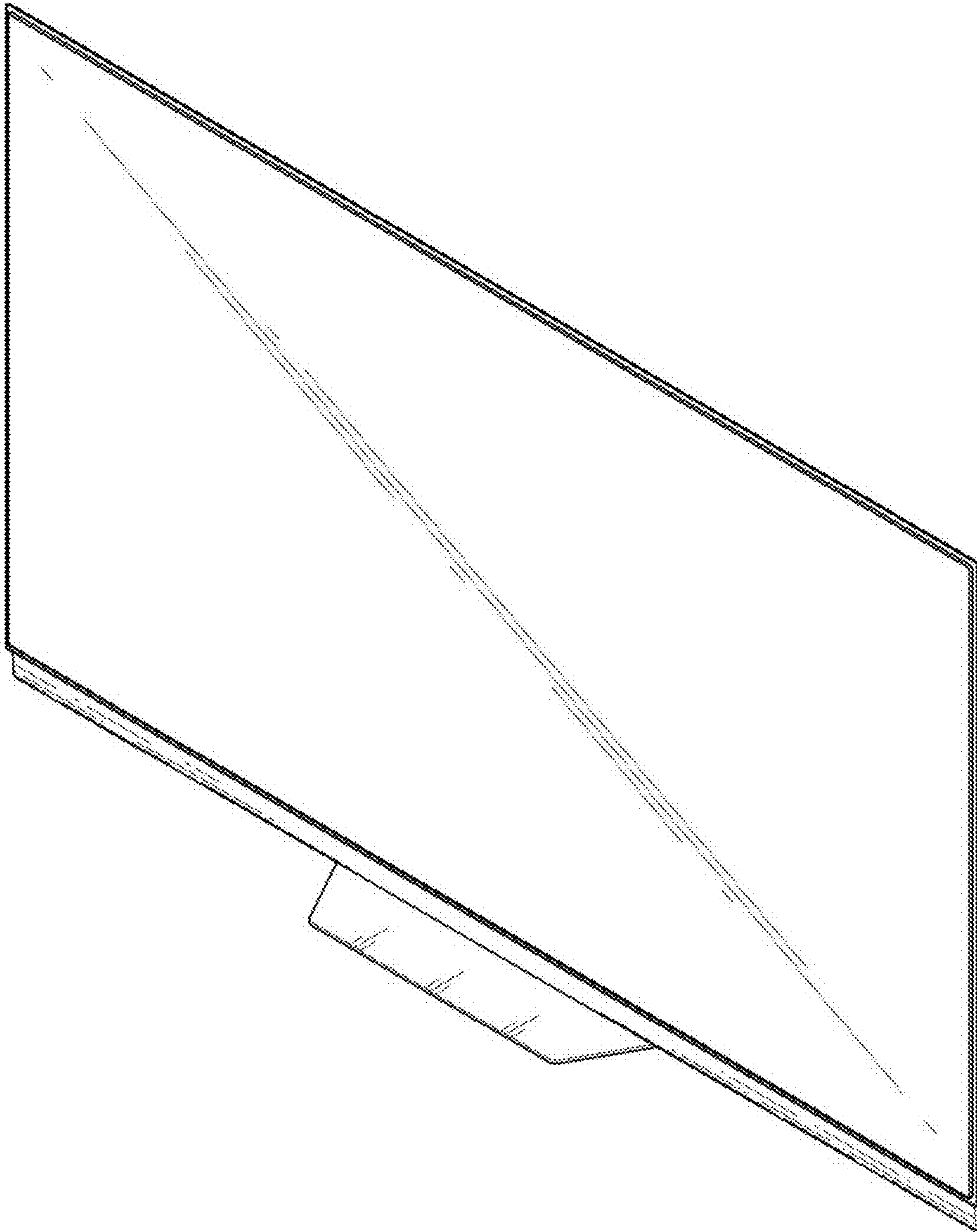
LGIndia, Clear images without any blur!, posted at Twitter, posting date Dec. 5, 2015. [online] [site visited Apr. 15, 2018]. Available from Internet. <URL: <https://twitter.com/lgindia/status/673358905620209665>> (Year: 2015).*

LG OLED65E7V review, posted at What Hi-Fi, posting date Apr. 12, 2017. [online] [site visited Apr. 13, 2018]. Available from Internet. <URL: <https://www.whathifi.com/lg/oled65e7v/review>> (Year: 2017).*

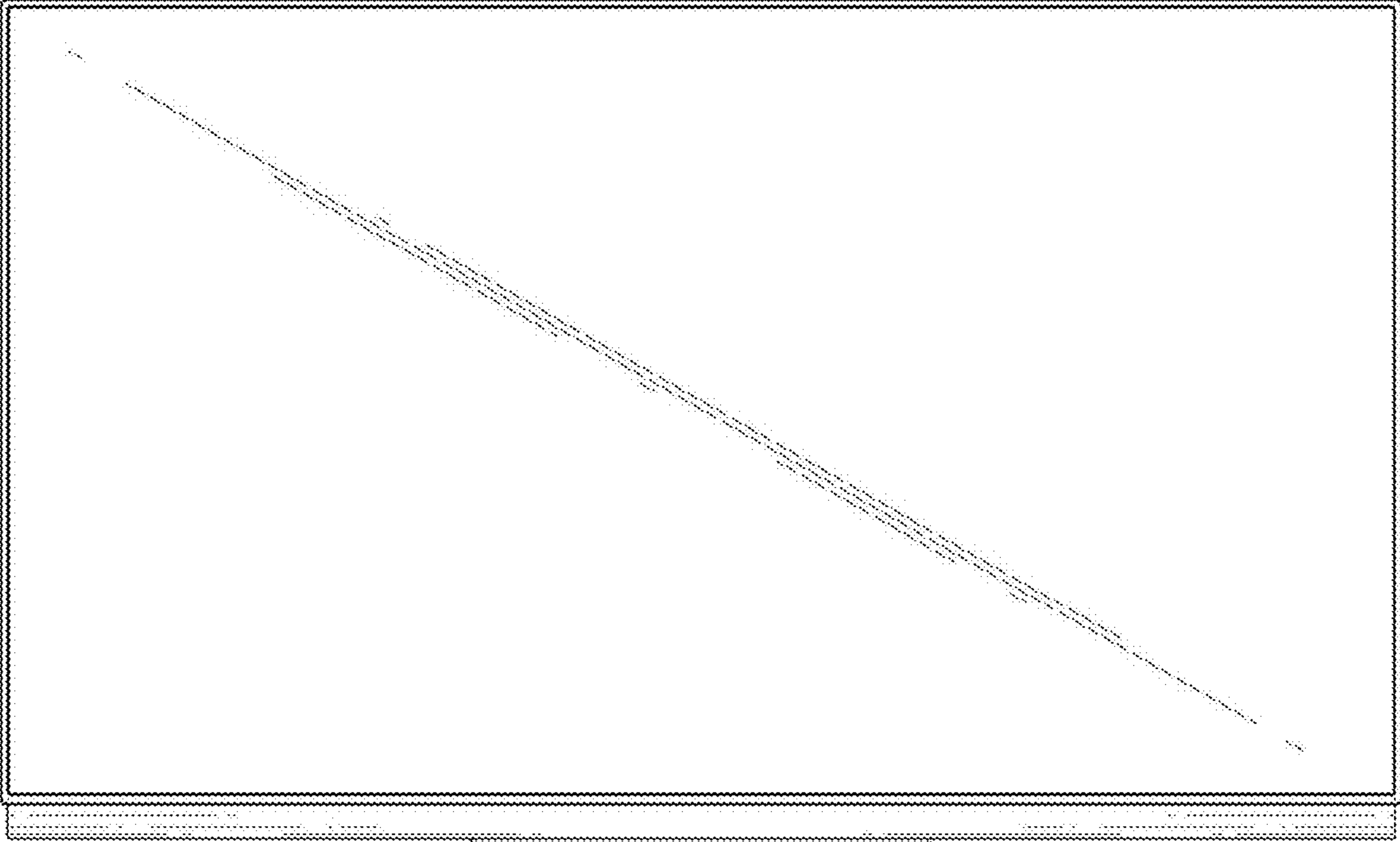
LG OLED65E6V review, posted at What Hi-Fi, posting date Jun. 16, 2016. [online] [site visited Apr. 13, 2018]. Available from Internet. <URL: <https://www.whathifi.com/lg/oled65e6v/review>> (Year: 2016).*

* cited by examiner

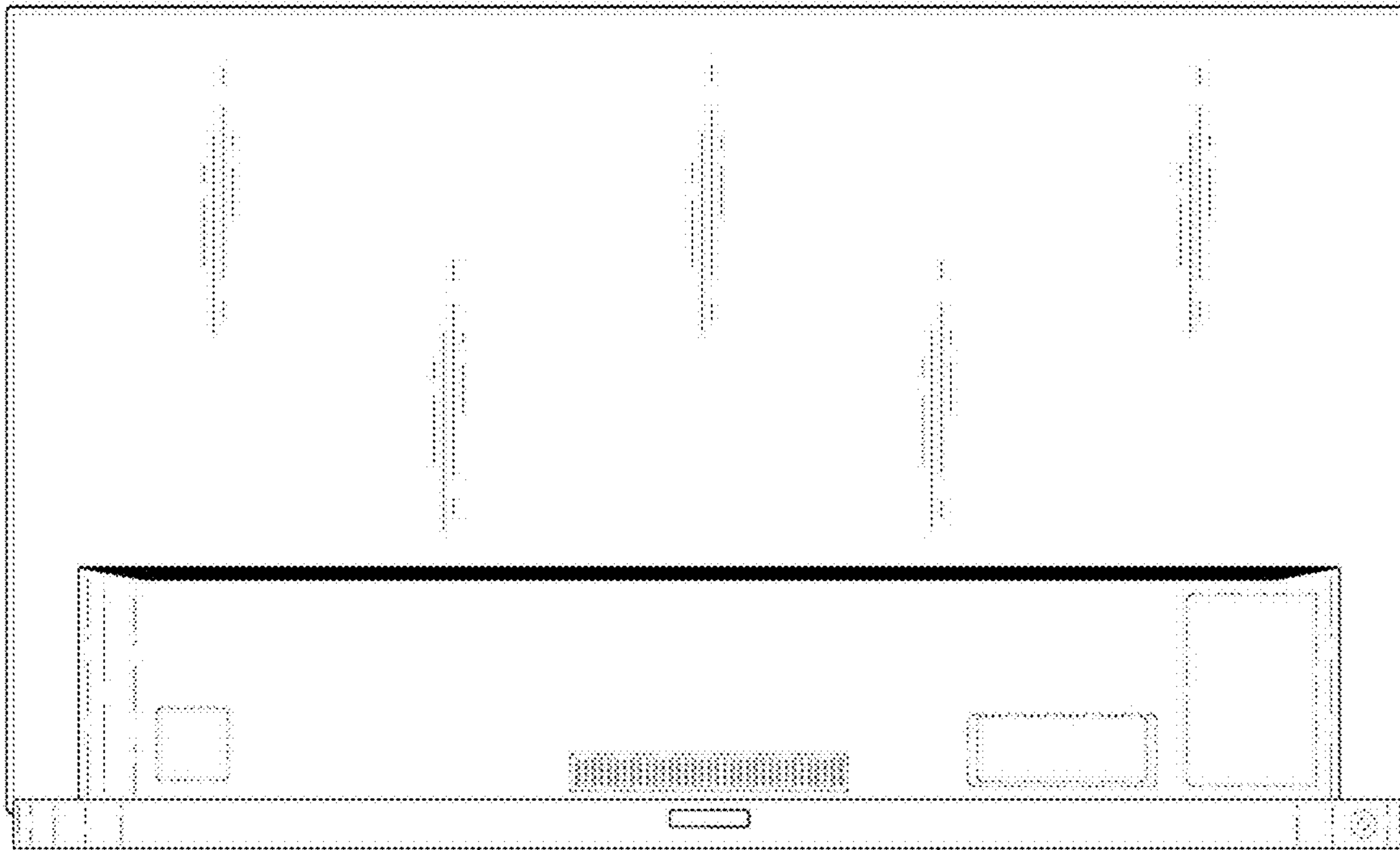
1.1



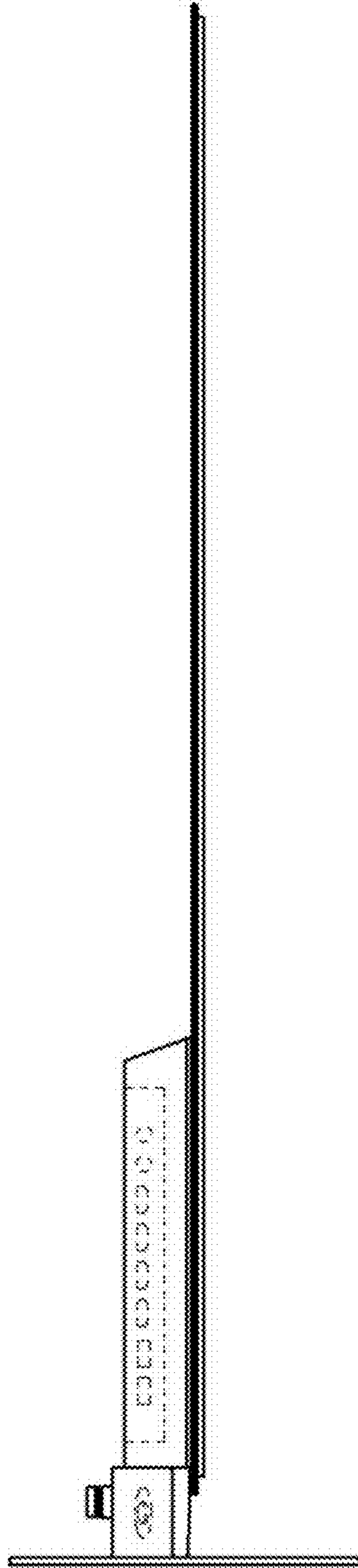
1.2



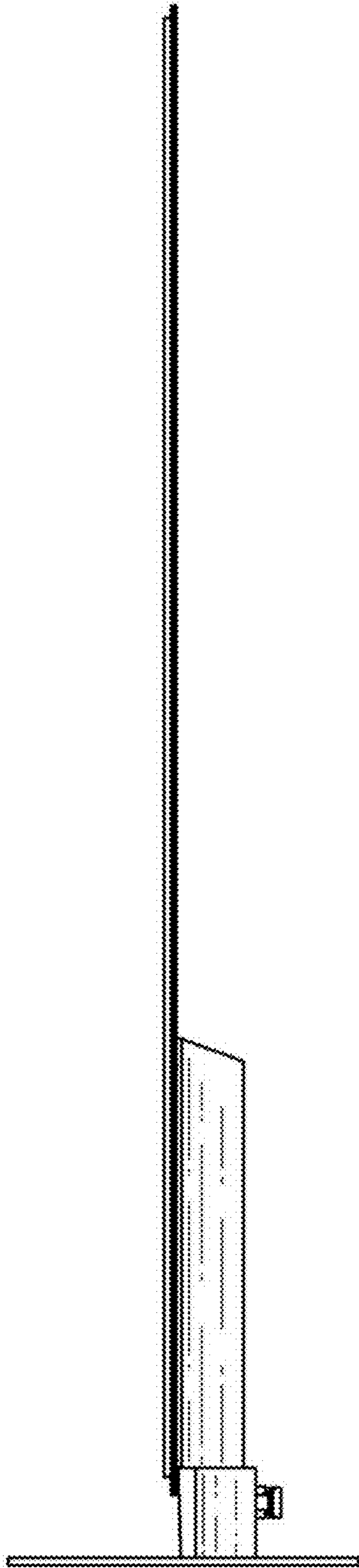
1.3



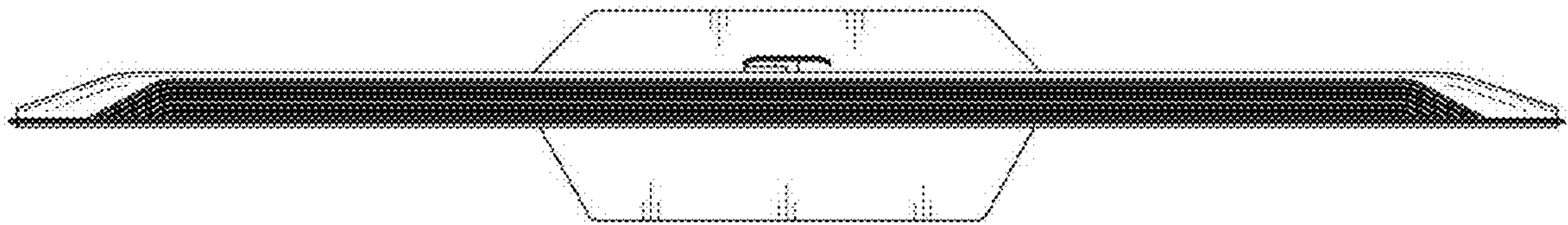
1.4



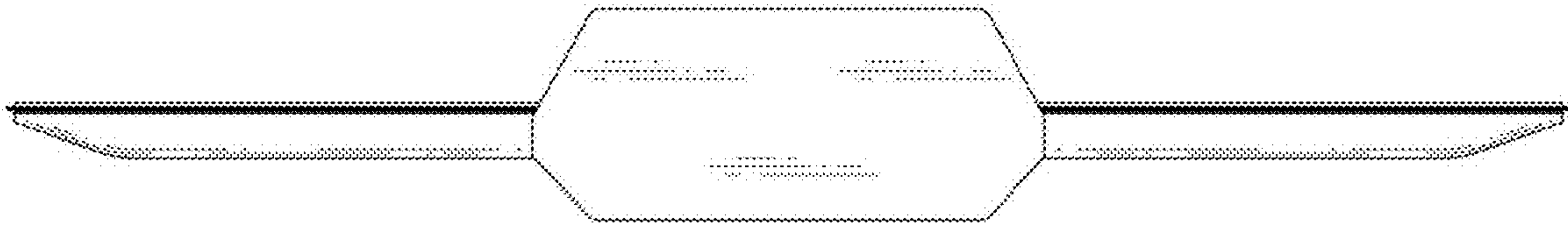
1.5



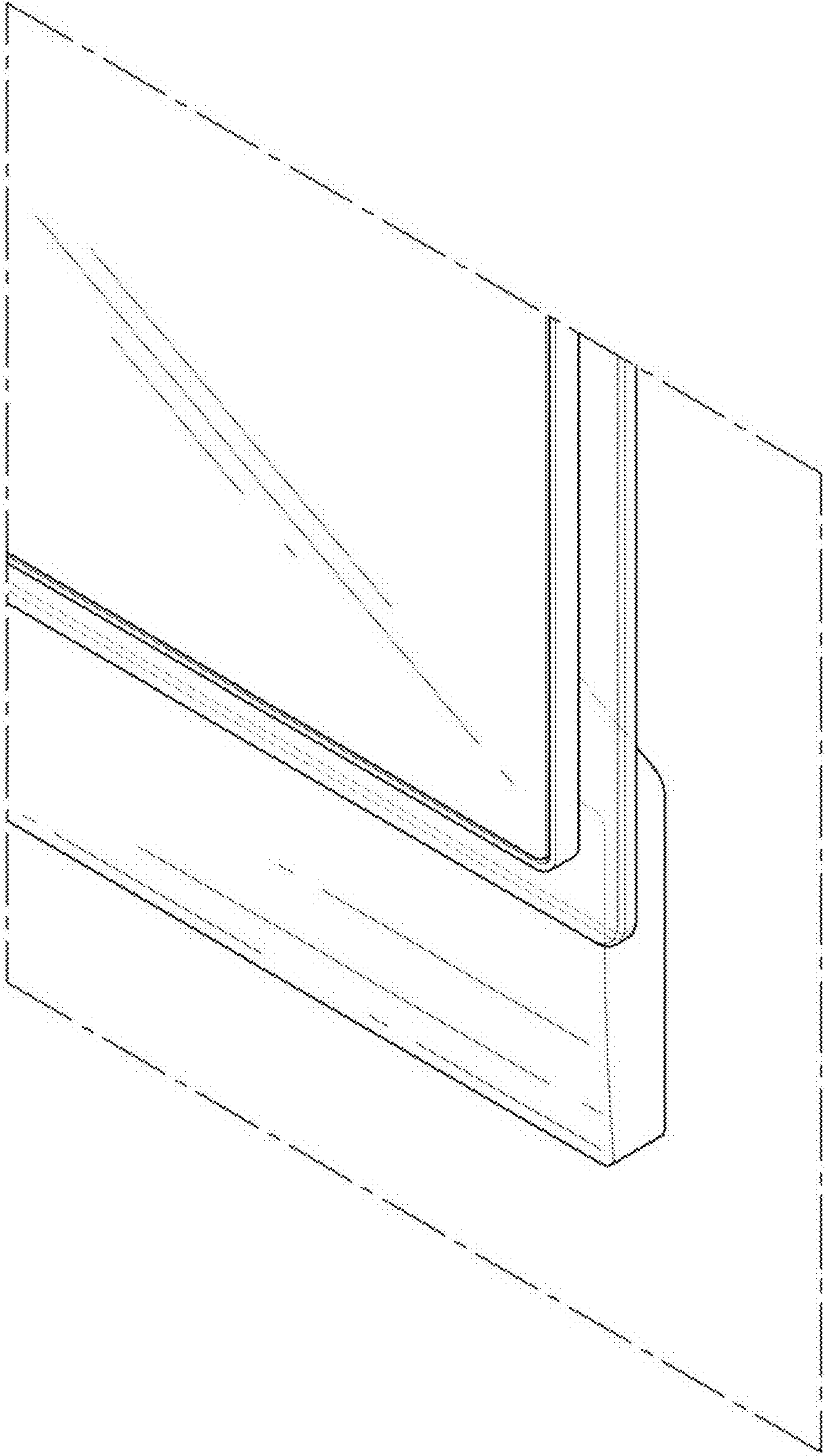
1.6



1.7



1.8



1.9

