

US00D826880S

(12) **United States Design Patent**  
**Lee et al.**

(10) **Patent No.:** **US D826,880 S**

(45) **Date of Patent:** **\*\* Aug. 28, 2018**

(54) **TV RECEIVER**

(71) Applicant: **LG ELECTRONICS INC.**, Seoul (KR)

(72) Inventors: **Yongho Lee**, Seoul (KR); **Jongchul Kim**, Seoul (KR); **Jeongrok Lee**, Seoul (KR); **Kyongtae Han**, Seoul (KR); **Sunggu Joe**, Seoul (KR)

(73) Assignee: **LG ELECTRONICS INC.**, Seoul (KR)

(\*\*) Term: **15 Years**

(21) Appl. No.: **35/502,098**

(22) Filed: **Jun. 13, 2016**

(80) **Hague Agreement Data**

Int. Filing Date: **Jun. 13, 2016**

Int. Reg. No.: **DM/091398**

Int. Reg. Date: **Jun. 13, 2016**

Int. Reg. Pub. Date: **Dec. 16, 2016**

(30) **Foreign Application Priority Data**

Dec. 15, 2015 (KR) ..... 30-2015-0064148

(51) **LOC (11) Cl.** ..... **14-03**

(52) **U.S. Cl.**  
USPC ..... **D14/126**

(58) **Field of Classification Search**  
USPC ..... D14/126, 127, 128, 336, 448  
See application file for complete search history.

(56) **References Cited**

**U.S. PATENT DOCUMENTS**

D682,231 S \* 5/2013 Lee ..... D14/126  
D700,586 S \* 3/2014 Kim ..... D14/126

D703,168 S \* 4/2014 Won ..... D14/126  
D719,119 S \* 12/2014 Park ..... D14/126  
D722,300 S \* 2/2015 Won ..... D14/126  
D748,596 S \* 2/2016 McManigal ..... D14/126  
D751,519 S \* 3/2016 Ma ..... D14/126  
D755,140 S \* 5/2016 Kim ..... D14/126  
D756,945 S \* 5/2016 Kim ..... D14/126  
D768,100 S \* 10/2016 Seo ..... D14/126  
D774,483 S \* 12/2016 Kim ..... D14/126  
D774,484 S \* 12/2016 Han ..... D14/126  
D775,094 S \* 12/2016 Kim ..... D14/126  
D778,854 S \* 2/2017 Lee ..... D14/126  
D778,855 S \* 2/2017 Lee ..... D14/126  
D782,431 S \* 3/2017 Lee ..... D14/126  
D782,991 S \* 4/2017 Kim ..... D14/126  
D787,462 S \* 5/2017 Shiono ..... D14/126  
D790,493 S \* 6/2017 Han ..... D14/126  
D792,361 S \* 7/2017 Han ..... D14/126

\* cited by examiner

*Primary Examiner* — Michael A. Pratt

(74) *Attorney, Agent, or Firm* — Birch, Stewart, Kolasch & Birch, LLP

(57) **CLAIM**

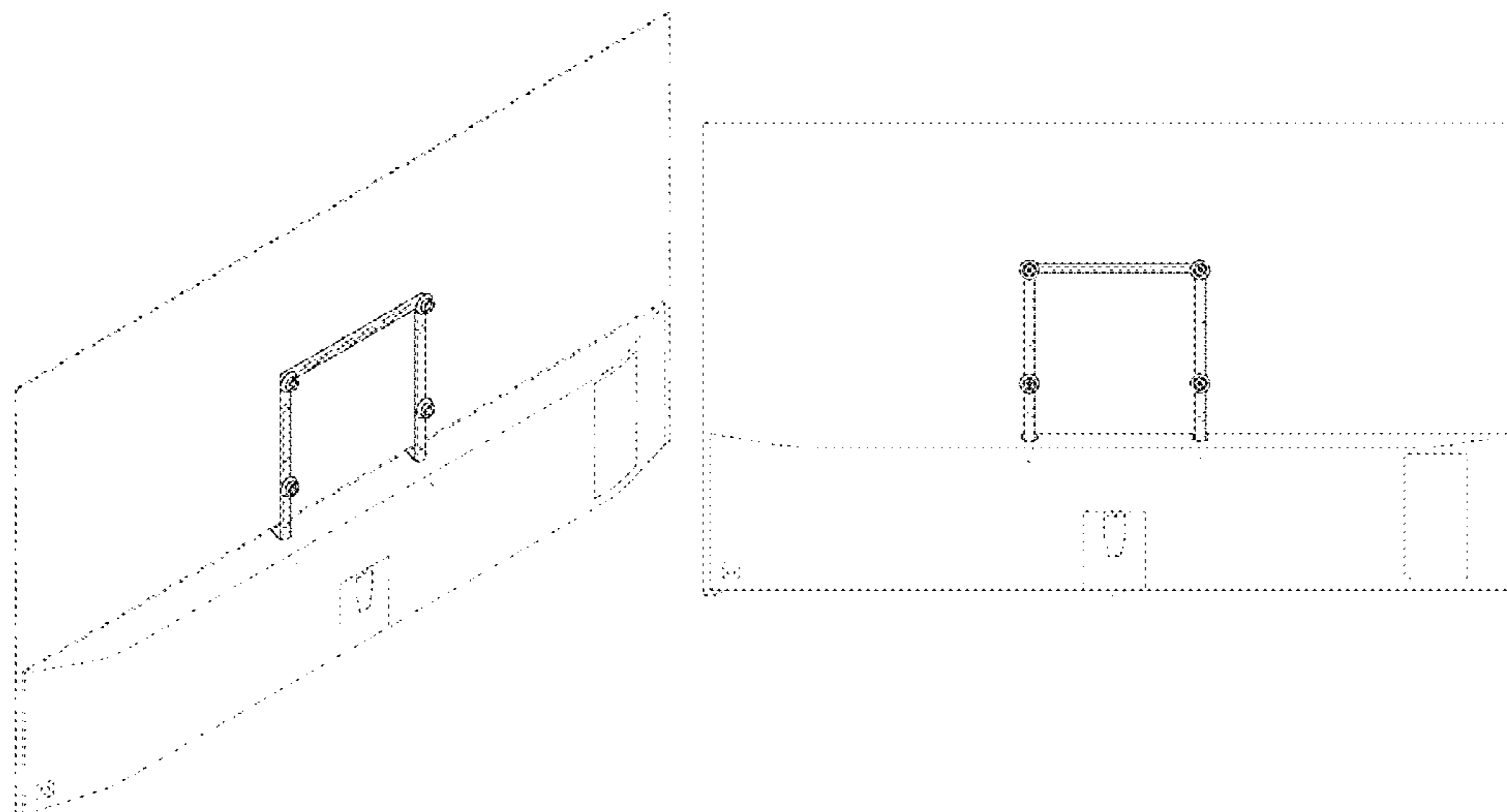
The ornamental design for a TV receiver, as shown and described.

**DESCRIPTION**

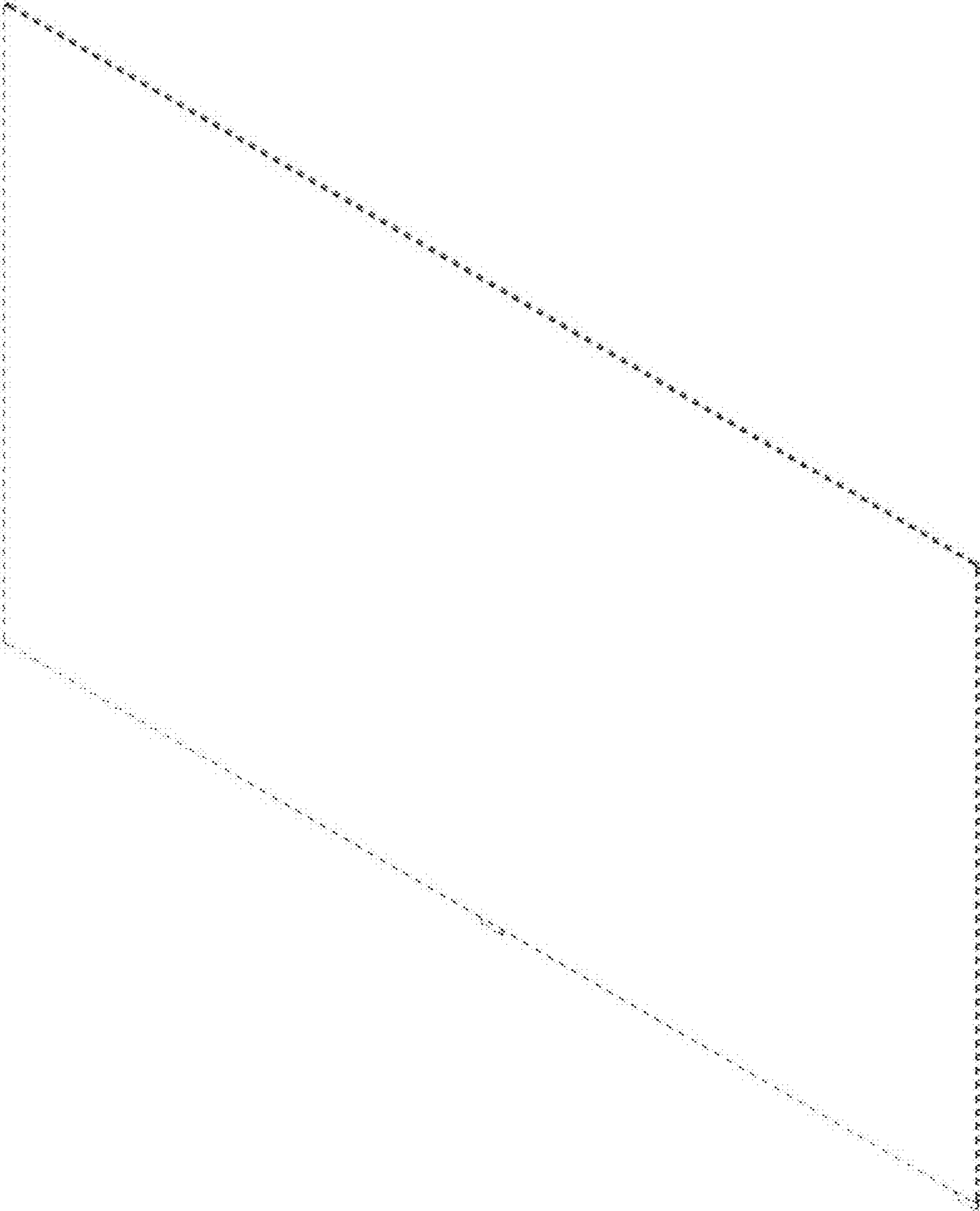
- 1. TV receiver
- 1.1 : Perspective
- 1.2 : Rear perspective
- 1.3 : Front
- 1.4 : Back
- 1.5 : Left
- 1.6 : Right
- 1.7 : Top
- 1.8 : Bottom

The broken line showing in the figures is for the purpose of illustrating portions of the TV receiver and forms no part of the claimed design.

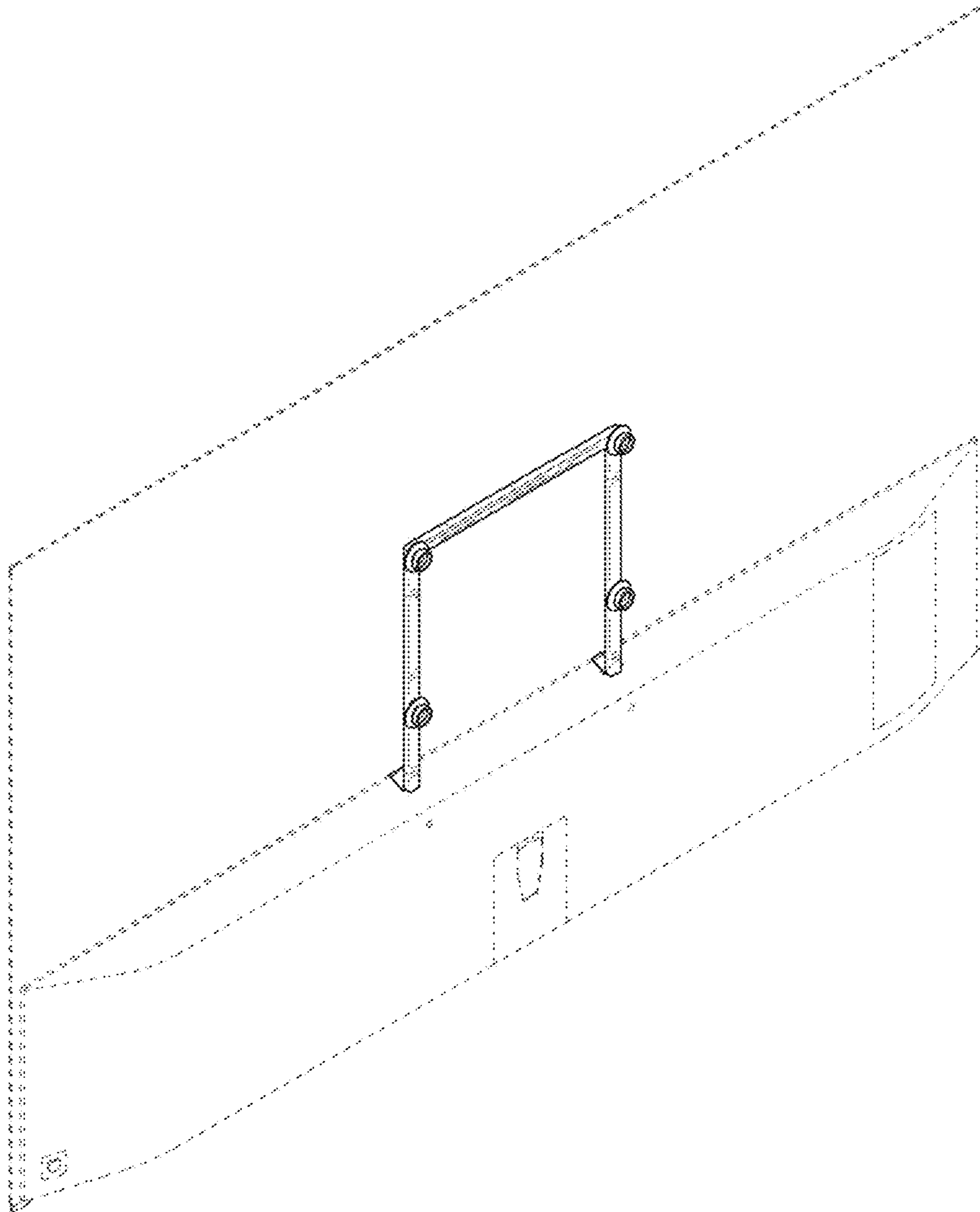
**1 Claim, 8 Drawing Sheets**



1.1



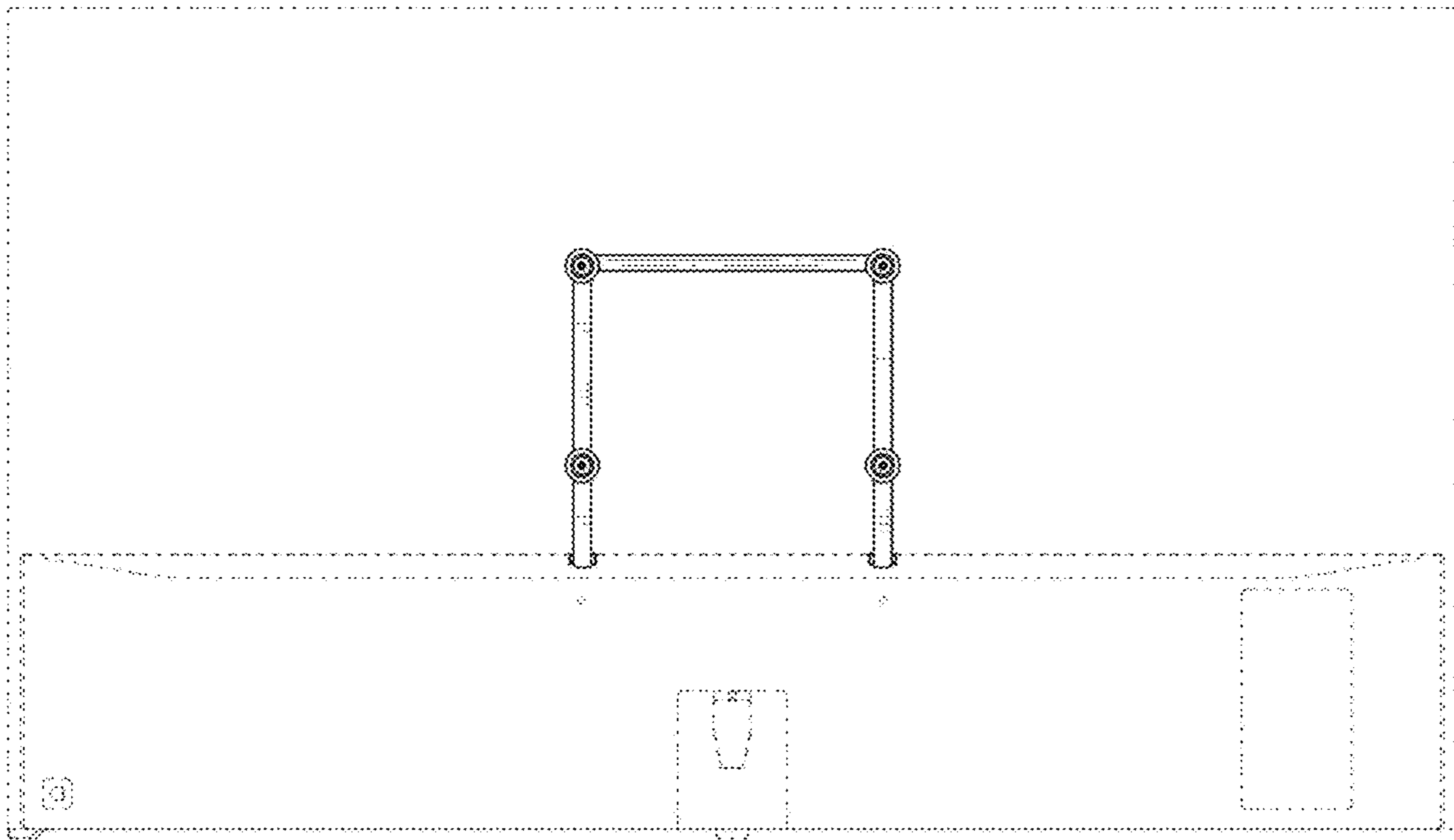
1.2



**1.3**



1.4



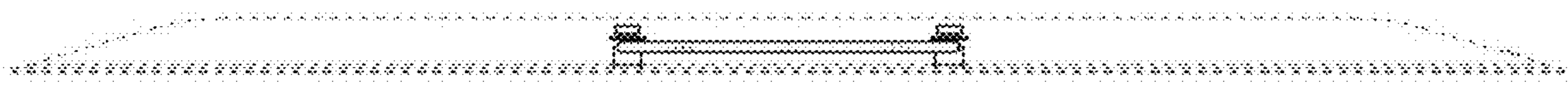
1.5



1.6



1.7





**1.8**

